



US00D930462S

(12) **United States Design Patent** (10) **Patent No.:** **US D930,462 S**
Mazzone (45) **Date of Patent:** **** Sep. 14, 2021**

(54) **CLIP FOR MOUNTING ELECTRONIC SHELF LABELS**

(71) Applicant: **MAZZONE INVESTMENTS INC.**, Montreal (CA)

(72) Inventor: **Diego Mazzone**, Montreal (CA)

(73) Assignee: **Mazzone Investments Inc.**, Montreal (CA)

(**) Term: **15 Years**

(21) Appl. No.: **29/733,293**

(22) Filed: **Apr. 30, 2020**

(51) **LOC (13) Cl.** **08-05**

(52) **U.S. Cl.**
USPC **D8/380**; D20/43

(58) **Field of Classification Search**
USPC D8/380, 381, 394-396, 373, 356;
D20/10, 19, 40, 42-44, 99
CPC A63H 3/52; A63H 16/0215; F16L 3/24;
G09F 3/18; G09F 3/204; G09F 3/0215
See application file for complete search history.

(56) **References Cited**

U.S. PATENT DOCUMENTS

D311,127 S	*	10/1990	Strodtman	D8/356
D314,017 S	*	1/1991	Garfinkle	D20/43
D322,389 S	*	12/1991	Harmon	D8/380
D438,778 S	*	3/2001	Ribe	D8/354
D480,434 S	*	10/2003	Brinkman	D20/43
D529,291 S	*	10/2006	Schloss	D3/318
D531,227 S	*	10/2006	Mueller	D20/44

D573,656 S	*	7/2008	Wamsley	D20/43
D616,946 S	*	6/2010	Garfinkle	D20/43
D692,955 S	*	11/2013	Kopco	D20/43
D734,633 S	*	7/2015	Espirito	D6/719
D748,731 S	*	2/2016	Kopco	D20/43
D855,702 S	*	8/2019	Garfinkle	D20/43
2004/0250459 A1	*	12/2004	Brinkman	G09F 3/0295 40/642.02
2005/0166438 A1	*	8/2005	Mueller	G09F 3/204 40/661.03

* cited by examiner

Primary Examiner — Keli L Hill

Assistant Examiner — Harold E Blackwell, II

(74) *Attorney, Agent, or Firm* — Tai W. Nahm; Miller Thomson LLP

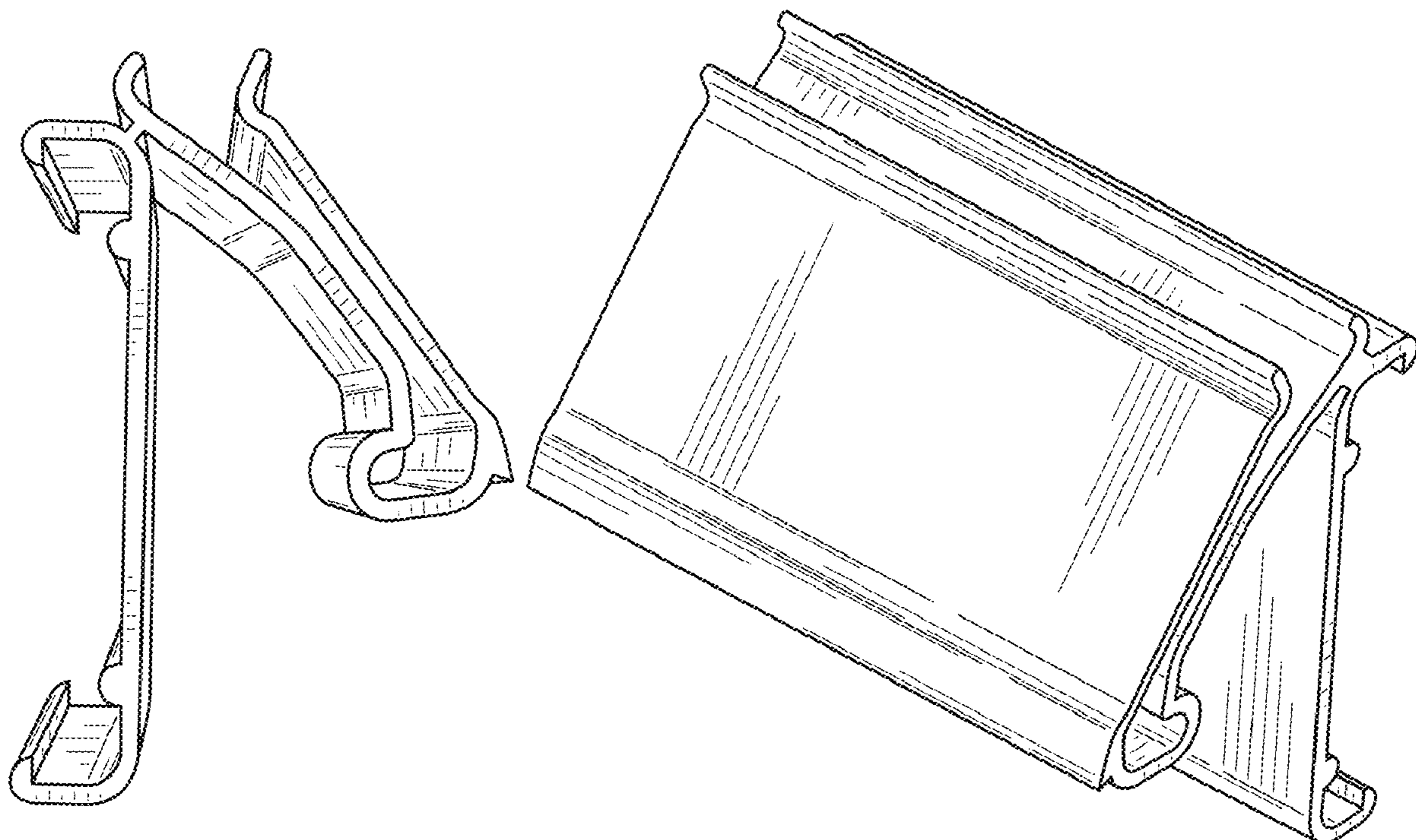
(57) **CLAIM**

The ornamental design for a clip for mounting electronic shelf labels, as shown and described.

DESCRIPTION

FIG. 1 illustrates an end perspective view of the clip for mounting electronic shelf labels;
FIG. 2 illustrates a front right perspective view thereof;
FIG. 3 illustrates a lower front right perspective view thereof;
FIG. 4 illustrates an upper front left perspective view thereof;
FIG. 5 illustrates a lower rear left perspective view thereof;
FIG. 6 illustrates a lower rear right perspective view thereof;
and,
FIG. 7 illustrates an upper rear left perspective view thereof.

1 Claim, 4 Drawing Sheets



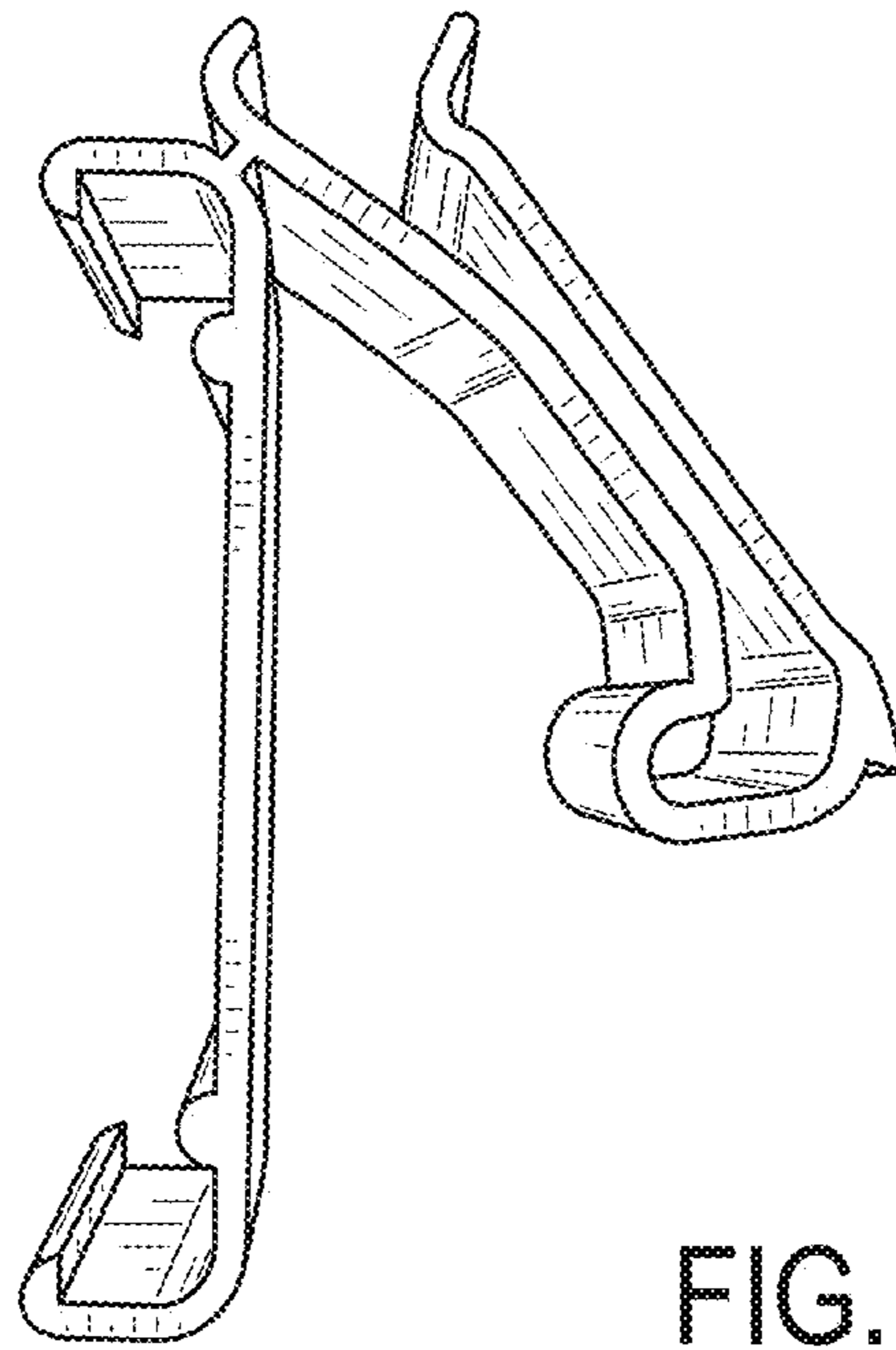


FIG. 1

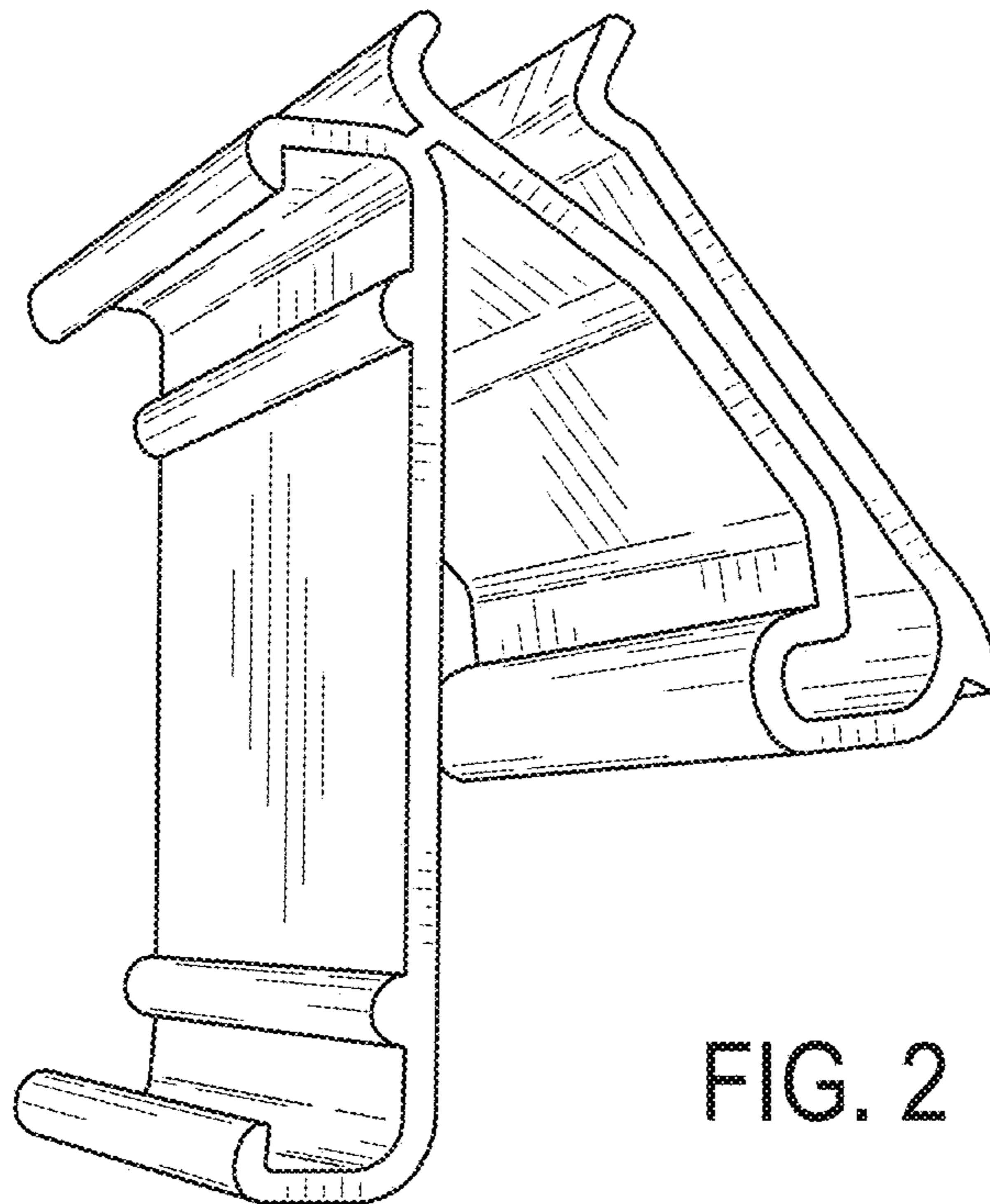


FIG. 2

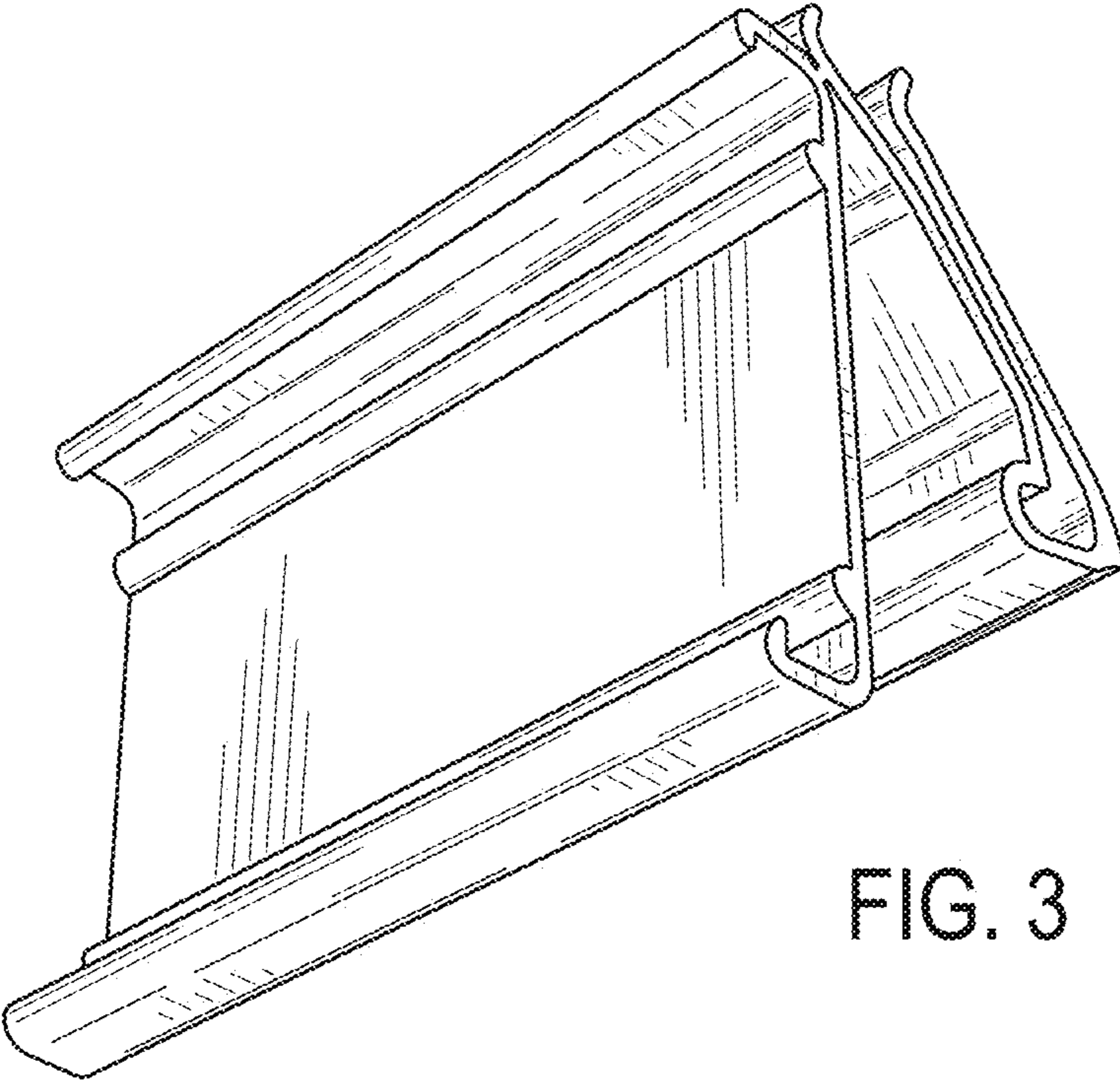


FIG. 3

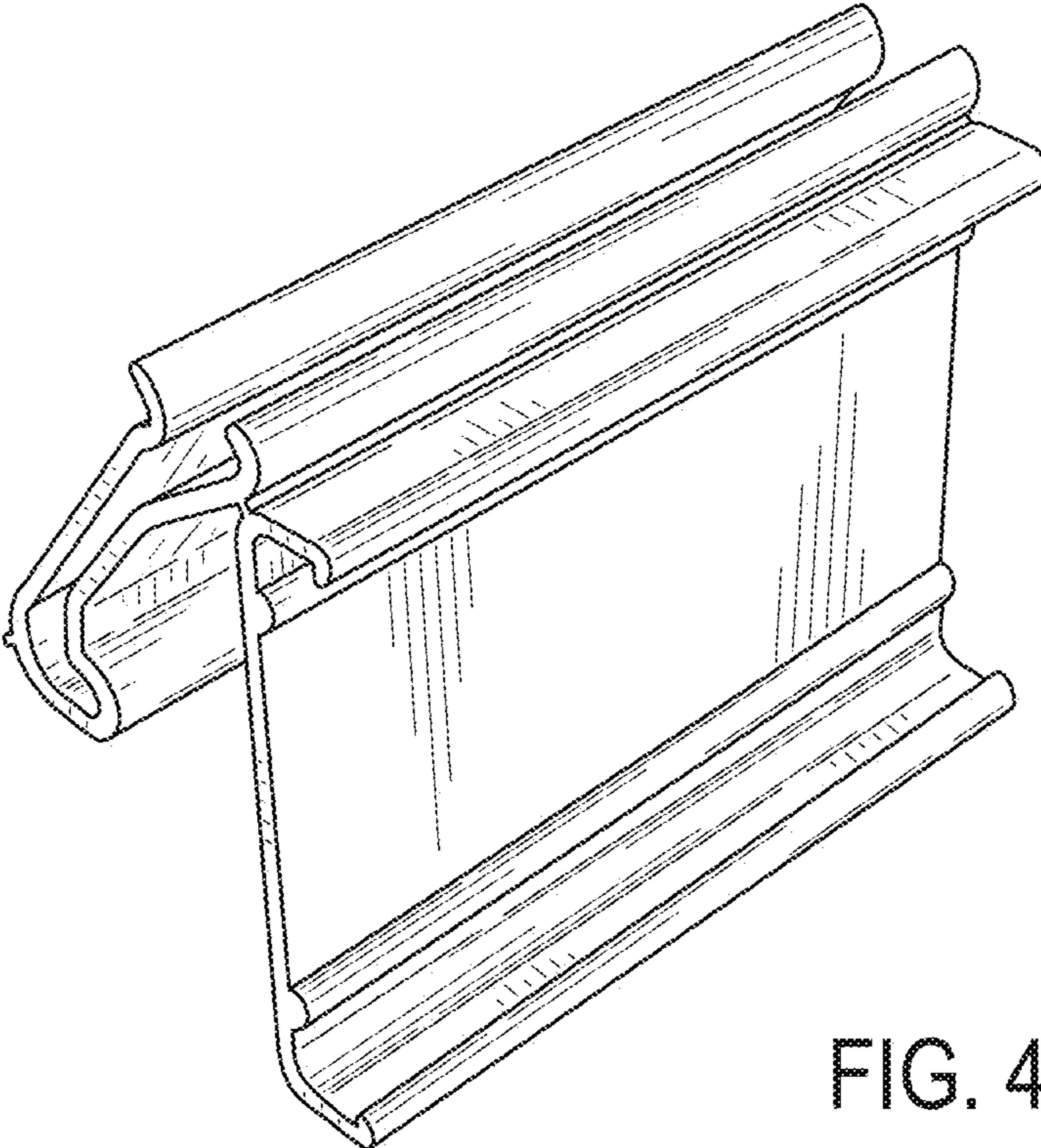


FIG. 4

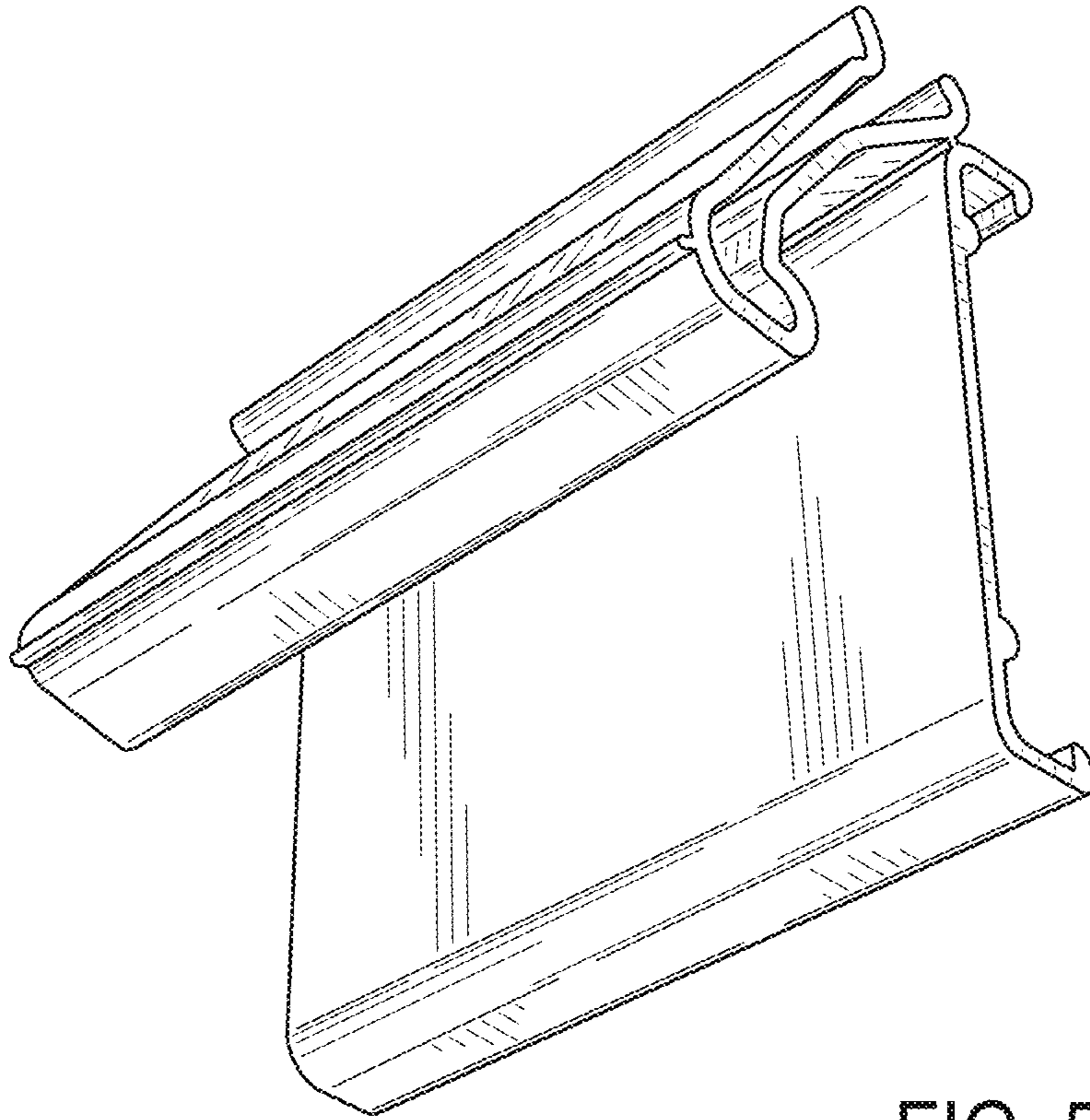


FIG. 5

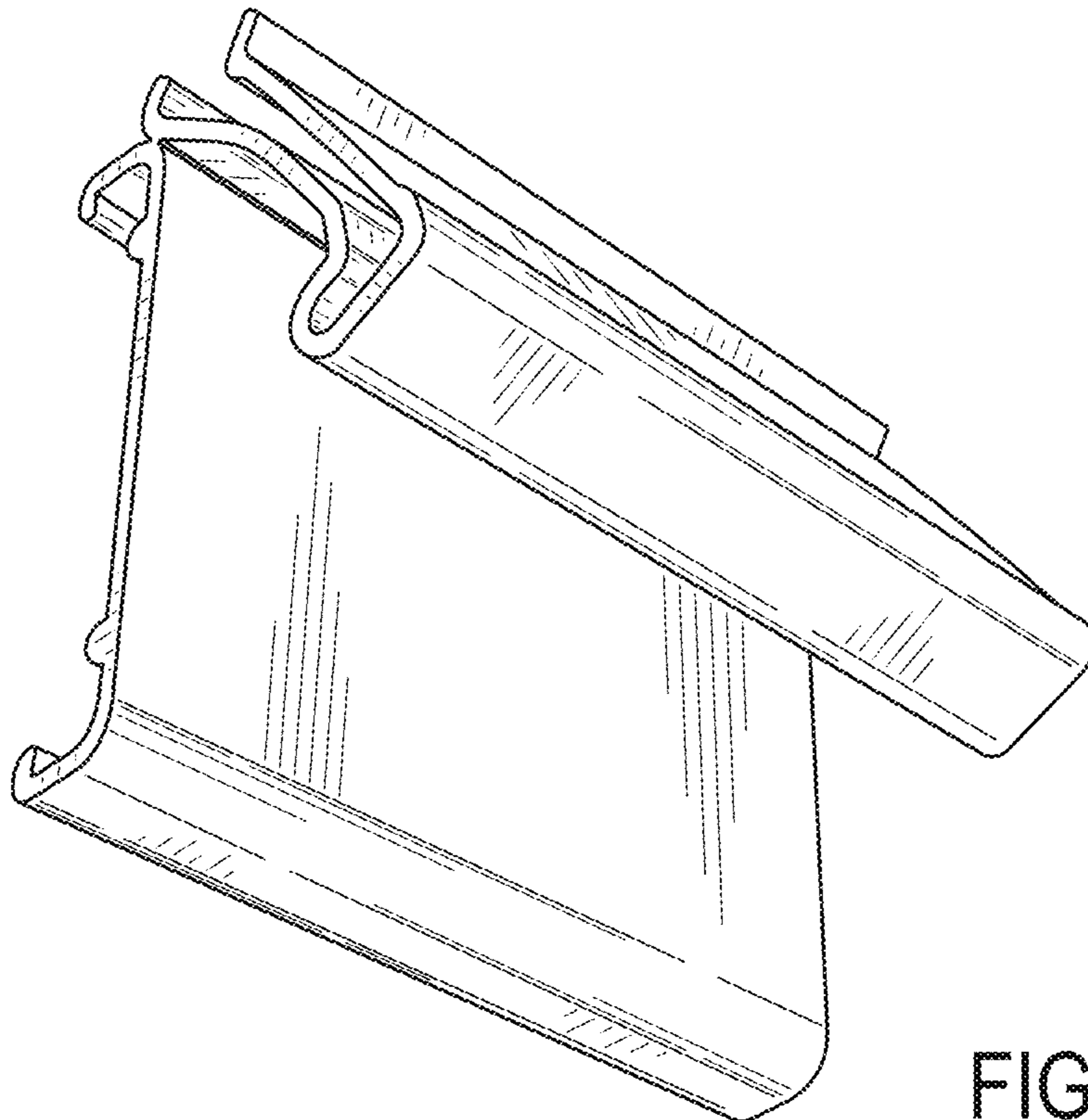


FIG. 6

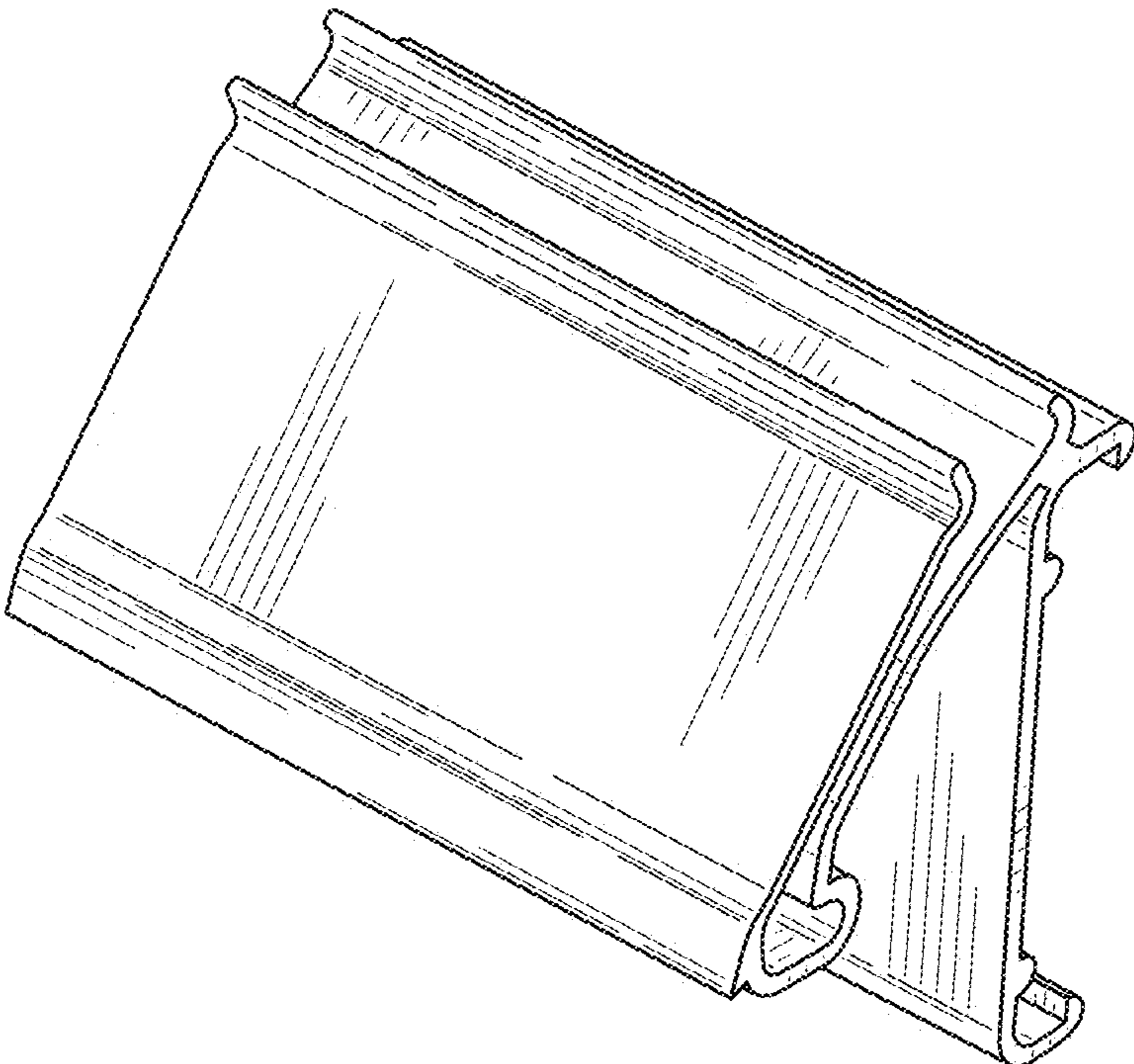


FIG. 7