



US00D930461S

(12) **United States Design Patent** (10) **Patent No.:** **US D930,461 S**
Wedding et al. (45) **Date of Patent:** **** Sep. 14, 2021**

- (54) **CABLE HANGER**
- (71) Applicant: **Cambria County Association for the Blind & Handicapped**, Johnstown, PA (US)
- (72) Inventors: **Timothy Joseph Wedding**, Johnstown, PA (US); **Paul Edward Martin**, Johnstown, PA (US)
- (73) Assignee: **Cambria County Association for the Blind and Handicapped**, Johnstown, PA (US)
- (**) Term: **15 Years**
- (21) Appl. No.: **29/780,259**
- (22) Filed: **Apr. 23, 2021**

5,176,302	A *	1/1993	Smith	B44D 3/14
					224/672
D373,072	S *	8/1996	Durante	D8/367
D404,127	S *	1/1999	Lammers	D24/141
5,996,955	A *	12/1999	Chen	F16B 12/32
					248/249
D422,888	S *	4/2000	Outten	D8/367
D458,116	S *	6/2002	Roethler	D8/367
D489,963	S *	5/2004	Mazooji et al.	D8/370
D499,956	S *	12/2004	Wall	D8/370
D504,934	S *	5/2005	Amburgey	D22/149
D532,074	S *	11/2006	Travis, Sr.	D22/149
D546,147	S *	7/2007	Cullen	D8/16
D552,980	S *	10/2007	Svedberg	D8/395
D554,980	S *	11/2007	Mihelis	D8/356
D566,538	S *	4/2008	Wrase	D8/395
D585,266	S *	1/2009	Meyers	D8/370
7,494,095	B2 *	2/2009	Walker et al.	248/48.2
D587,470	S *	3/2009	Croisdale	D6/317
D599,646	S *	9/2009	Meyers	D8/370

(Continued)

Related U.S. Application Data

- (63) Continuation of application No. 29/717,780, filed on Dec. 19, 2019, now Pat. No. Des. 919,418.
- (51) **LOC (13) Cl.** **08-05**
- (52) **U.S. Cl.**
USPC **D8/367**
- (58) **Field of Classification Search**
USPC D8/367, 354, 349, 356, 395; D12/162;
224/248, 268, 904
CPC ... A47G 29/083; F16B 45/00; A63B 21/0557;
B60P 7/0823
See application file for complete search history.

References Cited

U.S. PATENT DOCUMENTS

D281,950	S *	12/1985	Sachs	D8/370
D283,787	S *	5/1986	Chap	D8/370
4,714,221	A *	12/1987	Cawrey	A47F 5/0823
					248/220.42

Primary Examiner — Cynthia R Underwood

(74) *Attorney, Agent, or Firm* — Eckert Seamans Cherin & Mellott, LLC

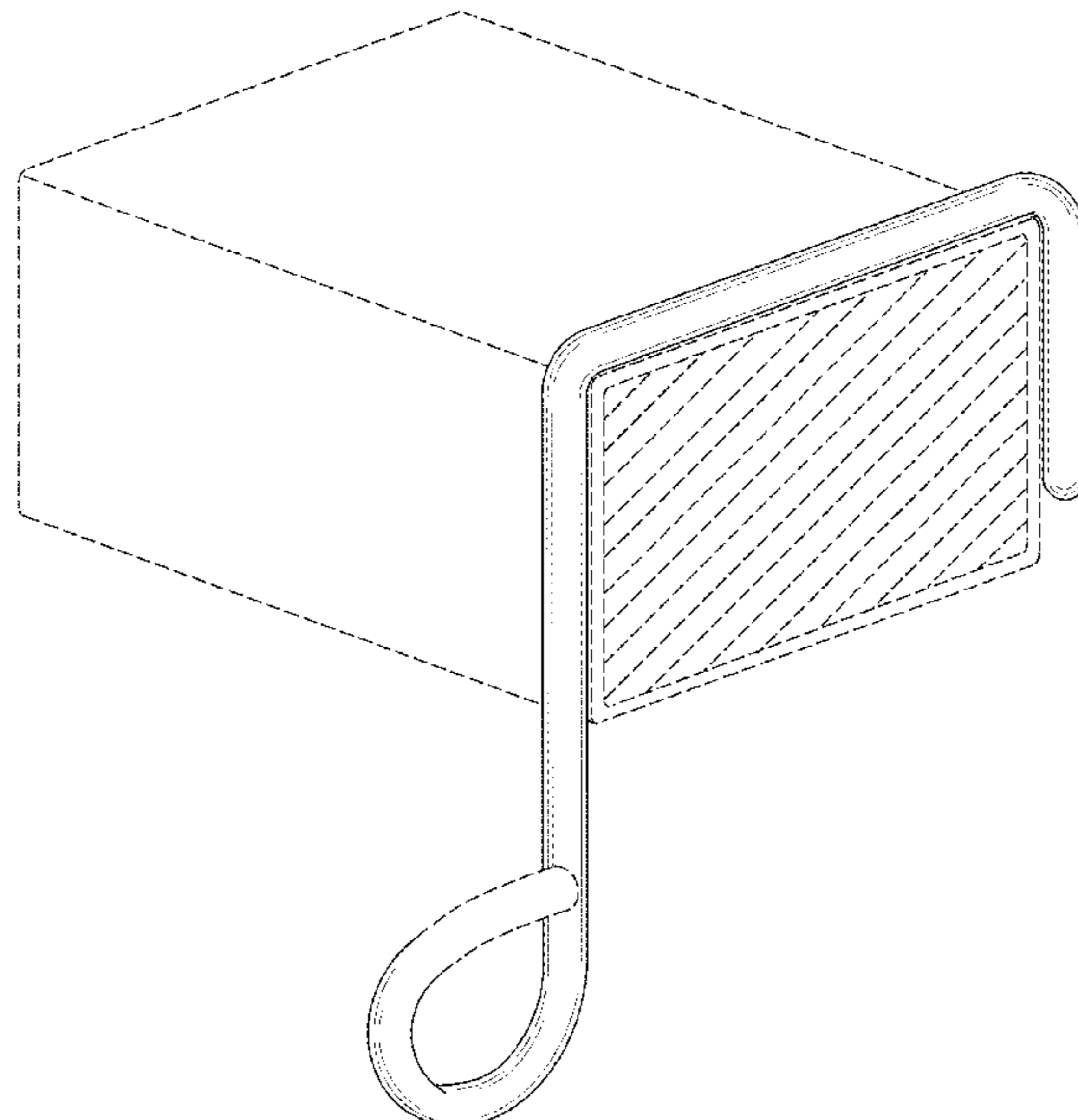
(57) **CLAIM**

The ornamental design for a cable hanger, as shown and described.

DESCRIPTION

FIG. 1 is an first isometric view of the cable hanger;
 FIG. 2 is a second isometric view of the cable hanger;
 FIG. 3 is a top view of the cable hanger;
 FIG. 4 is a bottom view of the cable hanger;
 FIG. 5 is a left view of the cable hanger;
 FIG. 6 is a right view of the cable hanger;
 FIG. 7 is a back view of the cable hanger; and,
 FIG. 8 is a front view of the cable hanger.
 The broken lines in the drawings depict environmental subject matter only and form no part of the claimed design.

1 Claim, 6 Drawing Sheets



(56)

References Cited

U.S. PATENT DOCUMENTS

D600,102 S * 9/2009 Larkin D8/370
7,677,504 B2 * 3/2010 Hutchinson E04D 13/076
248/48.2
7,757,996 B2 * 7/2010 Jacobs 248/64
7,823,852 B1 * 11/2010 Reno 248/302
D629,291 S * 12/2010 Veilleux D8/370
D631,332 S * 1/2011 Bauer et al. D8/367
D632,952 S * 2/2011 Dablemont D8/367
D644,088 S * 8/2011 Gallaty D8/354
D648,208 S * 11/2011 Platt D8/367
8,162,361 B2 * 4/2012 Biddington F24B 15/002
294/14
D661,574 S * 6/2012 Platt D8/367
D668,938 S * 10/2012 Morales D8/367
D672,227 S * 12/2012 Hendricks D8/394
D673,031 S * 12/2012 Hendricks D8/394
D679,095 S * 4/2013 Williams D3/328
D687,291 S * 8/2013 Hendricks D8/394
D698,105 S * 1/2014 Huster D30/199
D699,556 S * 2/2014 Hendricks D8/394
D753,984 S * 4/2016 Combs D8/354
D801,157 S * 10/2017 Turbenson D8/367
D801,158 S * 10/2017 Turbenson D8/367
D801,159 S * 10/2017 Turbenson D8/367
D865,497 S * 11/2019 Williamson D8/367
D874,906 S * 2/2020 Ruddick D8/356
2002/0000504 A1 * 1/2002 Bayne F21S 4/10
248/302

* cited by examiner

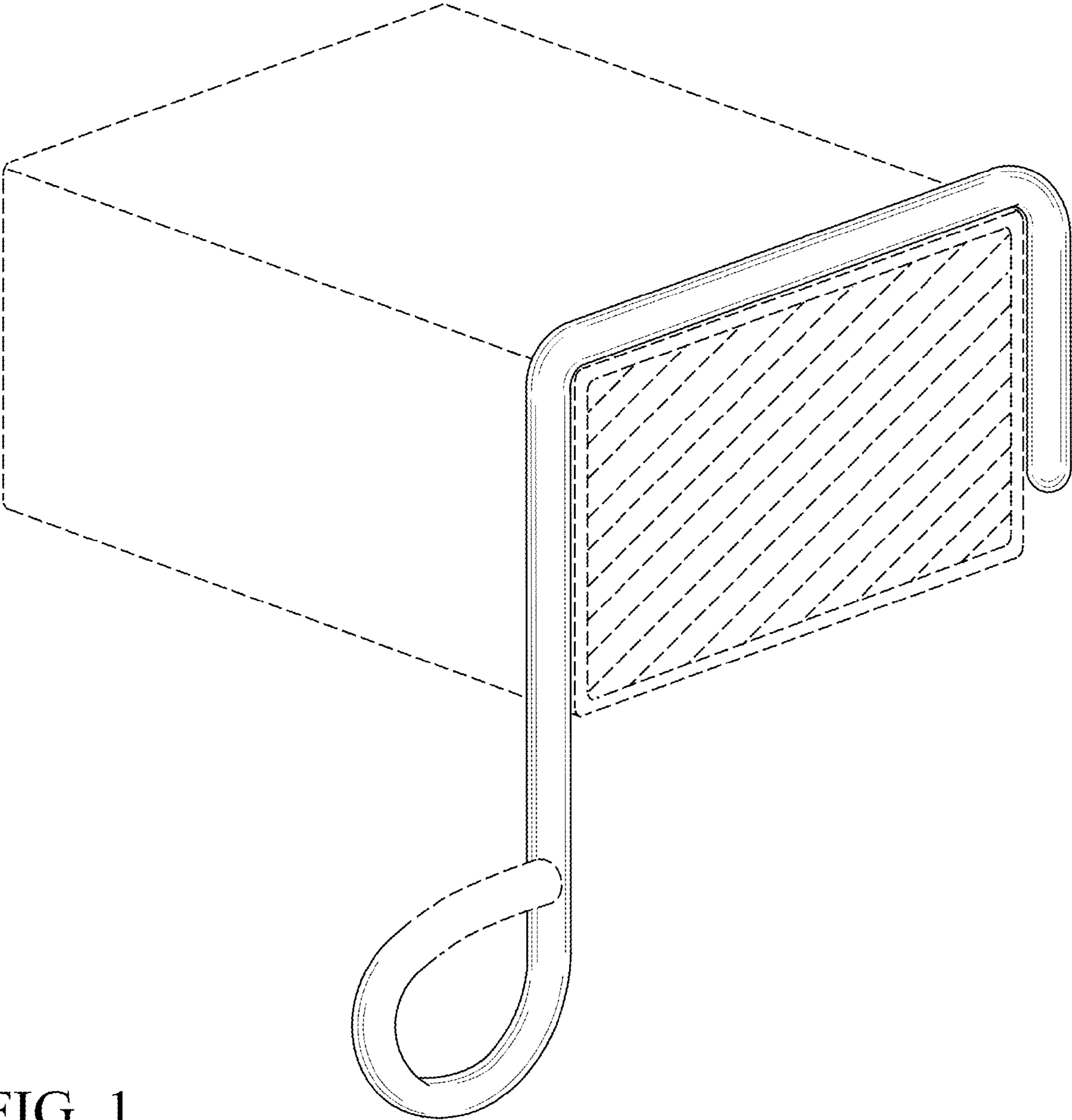


FIG. 1

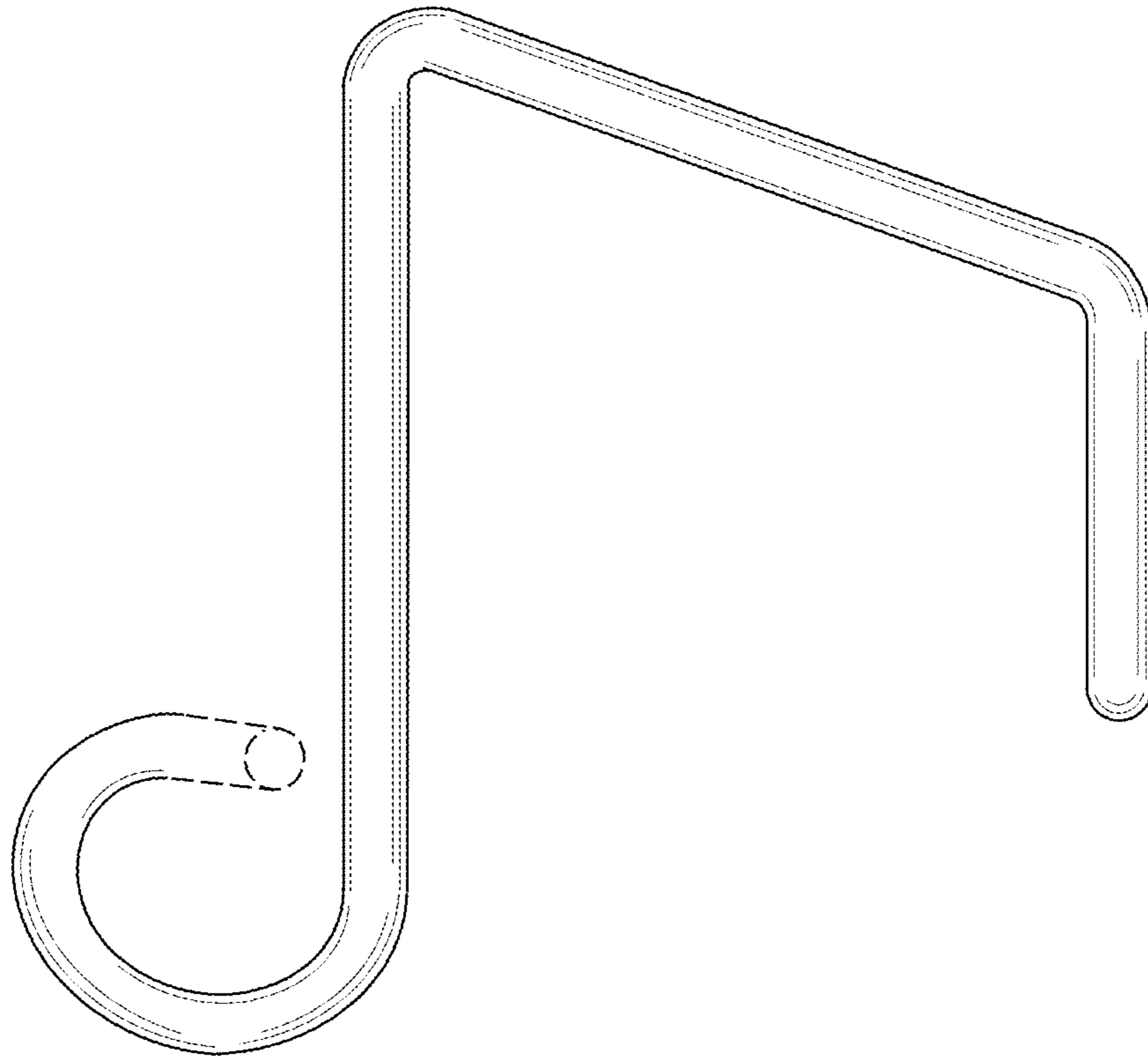


FIG. 2

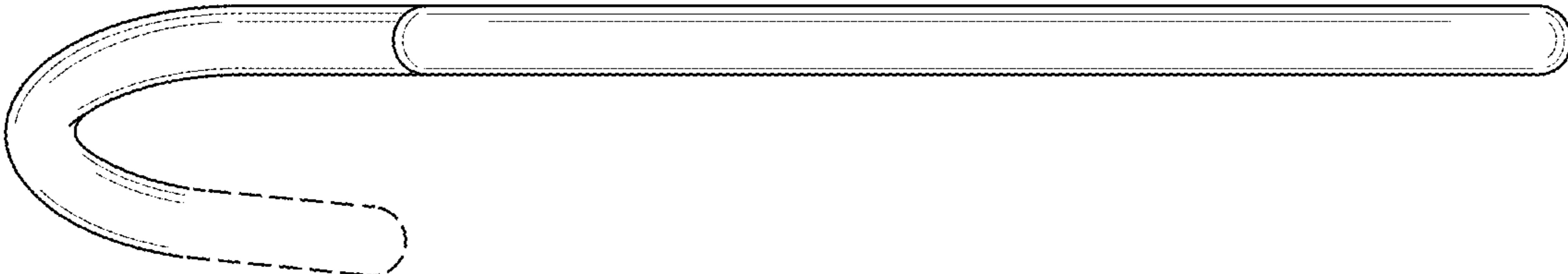


FIG. 3

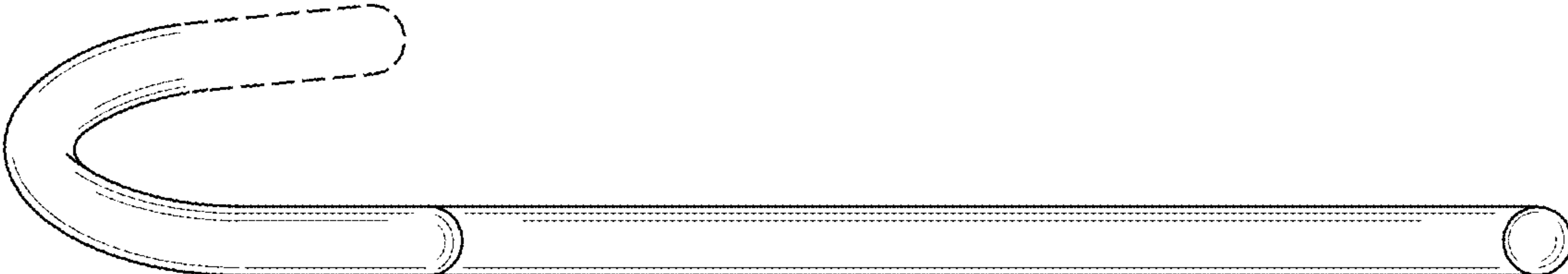


FIG. 4

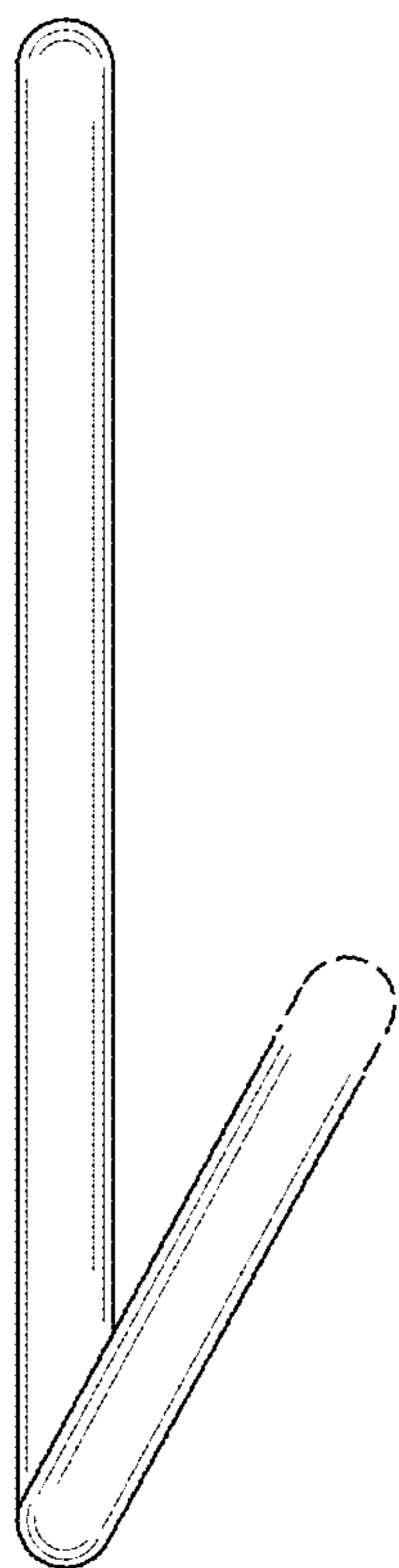


FIG. 5

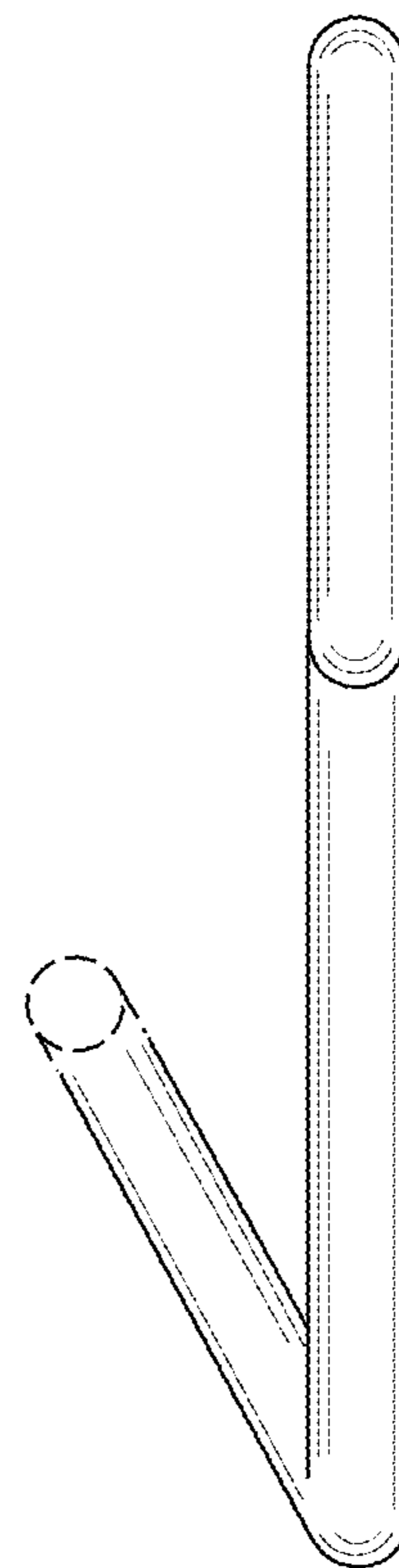


FIG. 6

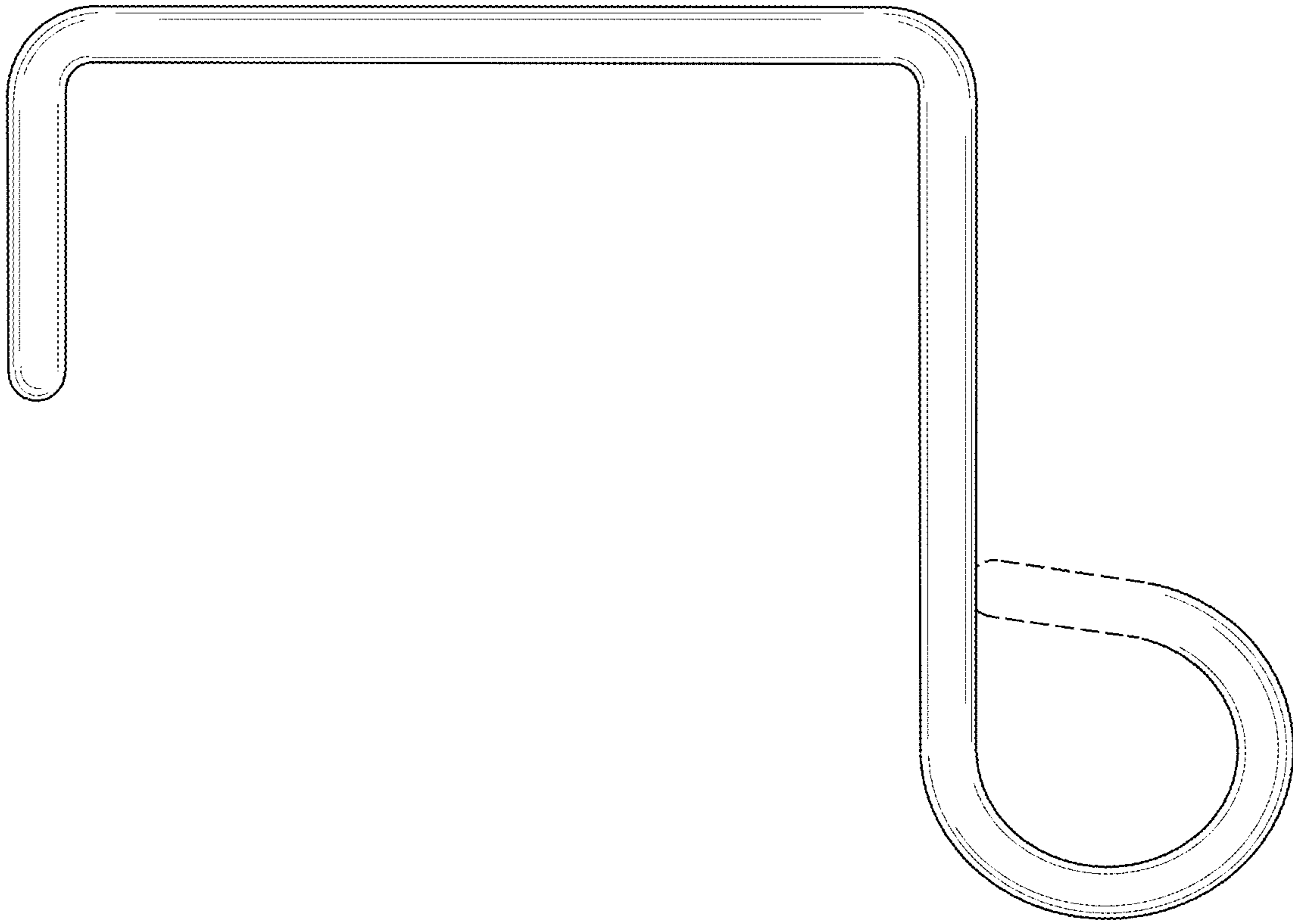


FIG. 7

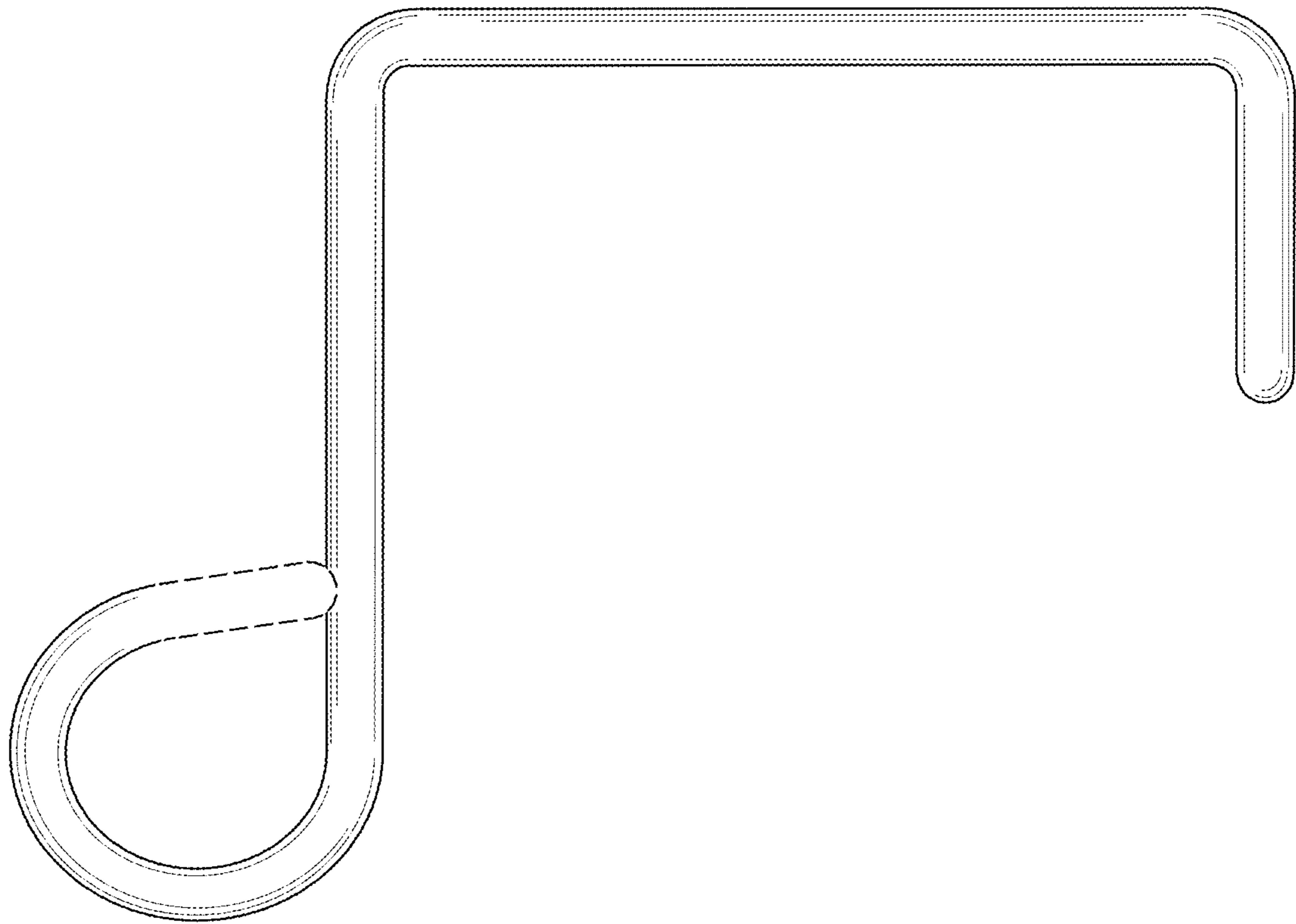


FIG. 8