



US00D930460S

(12) **United States Design Patent**
Sun

(10) **Patent No.:** **US D930,460 S**

(45) **Date of Patent:** **** Sep. 14, 2021**

(54) **ZIPLINE TROLLEY WITH HANDLE**

(71) Applicant: **Dean Sun**, Yongkang (CN)

(72) Inventor: **Dean Sun**, Yongkang (CN)

(**) Term: **15 Years**

(21) Appl. No.: **29/756,949**

(22) Filed: **Nov. 2, 2020**

(51) **LOC (13) Cl.** **08-05**

(52) **U.S. Cl.**
USPC **D8/360**

(58) **Field of Classification Search**
USPC D8/360, 356, 354, 349
CPC A63B 29/00; A63B 27/00
See application file for complete search history.

(56) **References Cited**

U.S. PATENT DOCUMENTS

D425,682 S *	5/2000	Wang	D34/28
D499,990 S	12/2004	Refsum et al.		
D677,896 S	3/2013	Wu		
D688,020 S	8/2013	Workman et al.		
D794,725 S *	8/2017	Lamothe	D21/679
D822,461 S *	7/2018	Han	D8/360
D822,462 S *	7/2018	Han	D8/360
D822,463 S *	7/2018	Han	D8/360
D834,402 S *	11/2018	Bailey	D8/356
10,333,378 B2 *	6/2019	Lerner	A62B 1/08
D862,205 S *	10/2019	Bailey	D8/356

10,471,971 B2 *	11/2019	Richardson	A63G 21/20
D869,937 S *	12/2019	Walker	B60R 16/0222
				D8/356
10,544,822 B2 *	1/2020	Bailey	B60C 27/10
D882,938 S *	5/2020	Luo	D2/978
D918,697 S *	5/2021	Han	D8/360
D919,416 S *	5/2021	Han	D8/360
2018/0304103 A1 *	10/2018	Cooper	A62B 1/10

* cited by examiner

Primary Examiner — Cynthia R Underwood

(74) *Attorney, Agent, or Firm* — Rumit Ranjit Kanakia

(57) **CLAIM**

I claim the ornamental design for an zipline trolley with handle, as shown and described.

DESCRIPTION

FIG. 1 is a Perspective view of an zipline trolley with handle showing my new design;

FIG. 2 is a front view thereof;

FIG. 3 is a back view thereof;

FIG. 4 is a right-side view thereof;

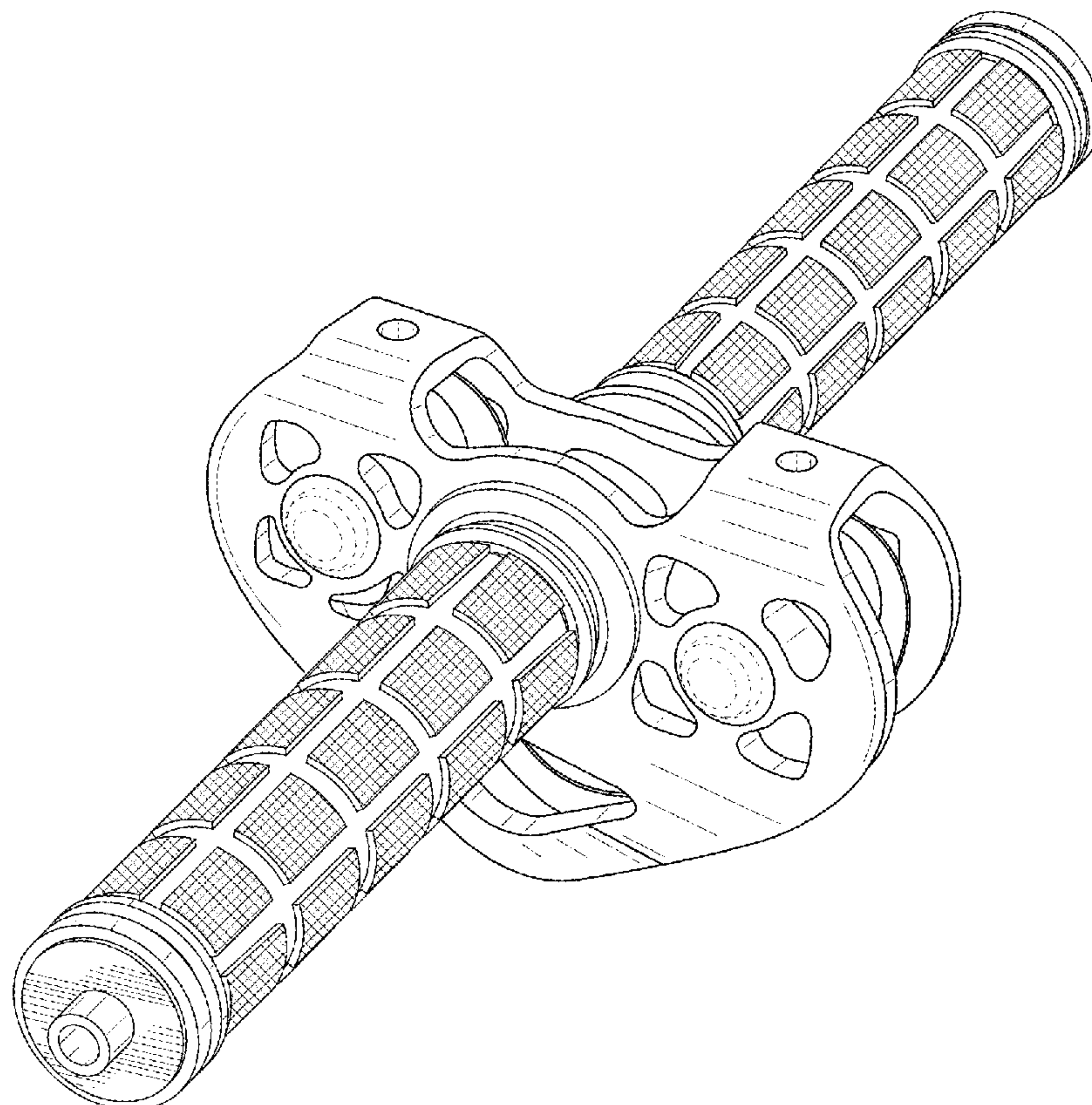
FIG. 5 is a left-side view thereof;

FIG. 6 is a top view thereof; and,

FIG. 7 is a bottom view thereof.

The broken lines are for the purpose of illustrating portions of the article that form no part of the claim.

1 Claim, 4 Drawing Sheets



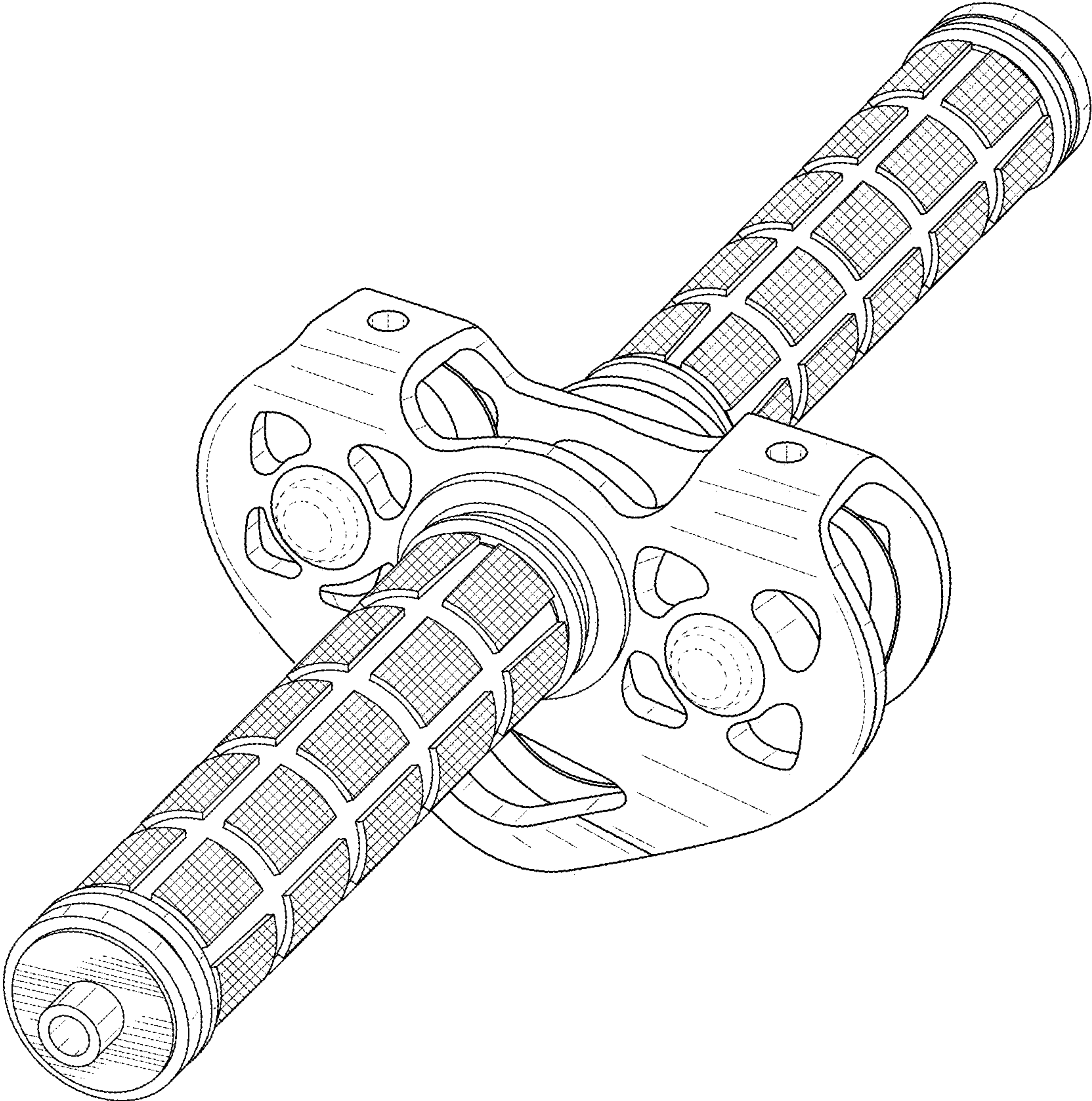


FIG. 1

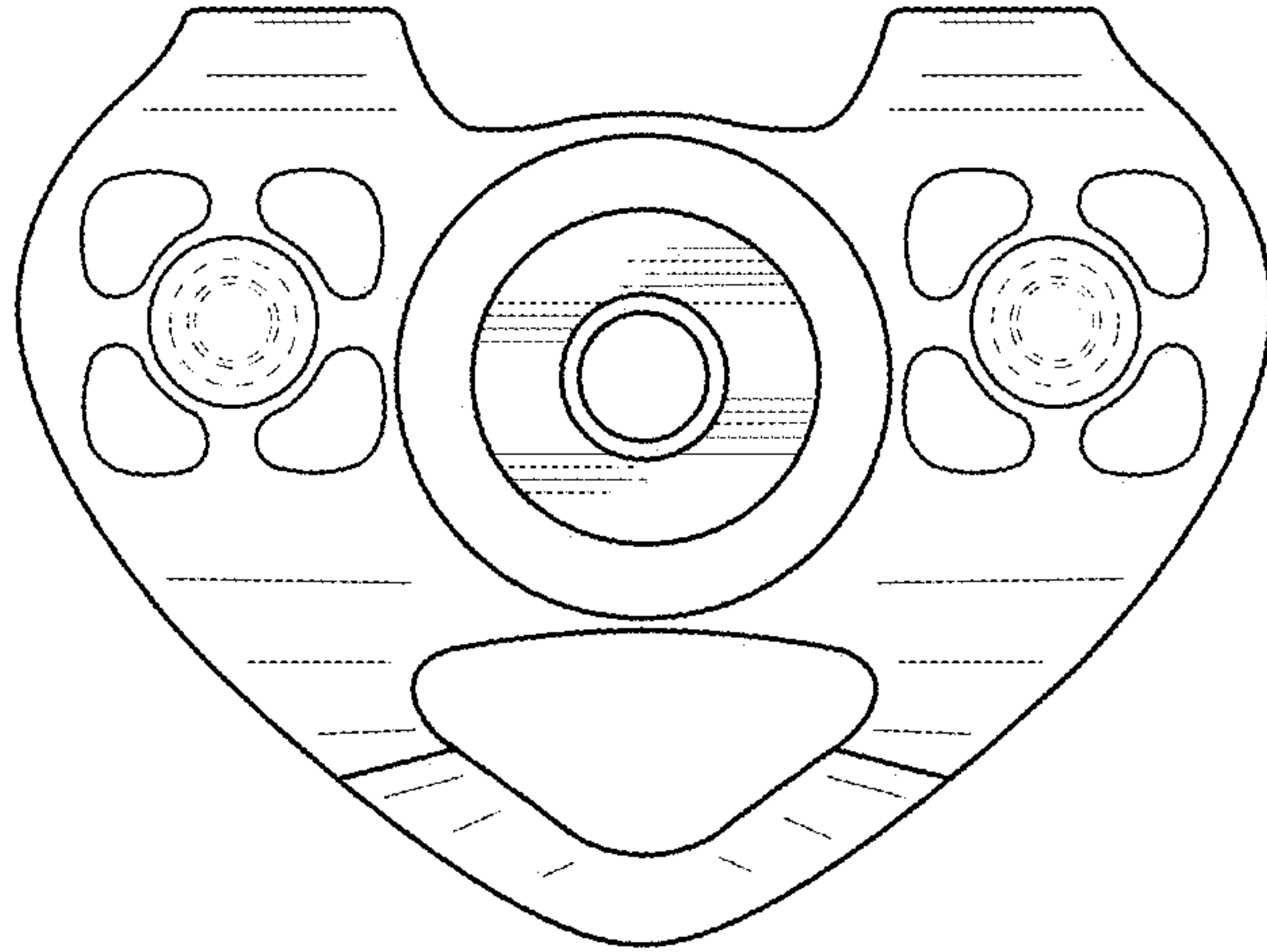


FIG. 2

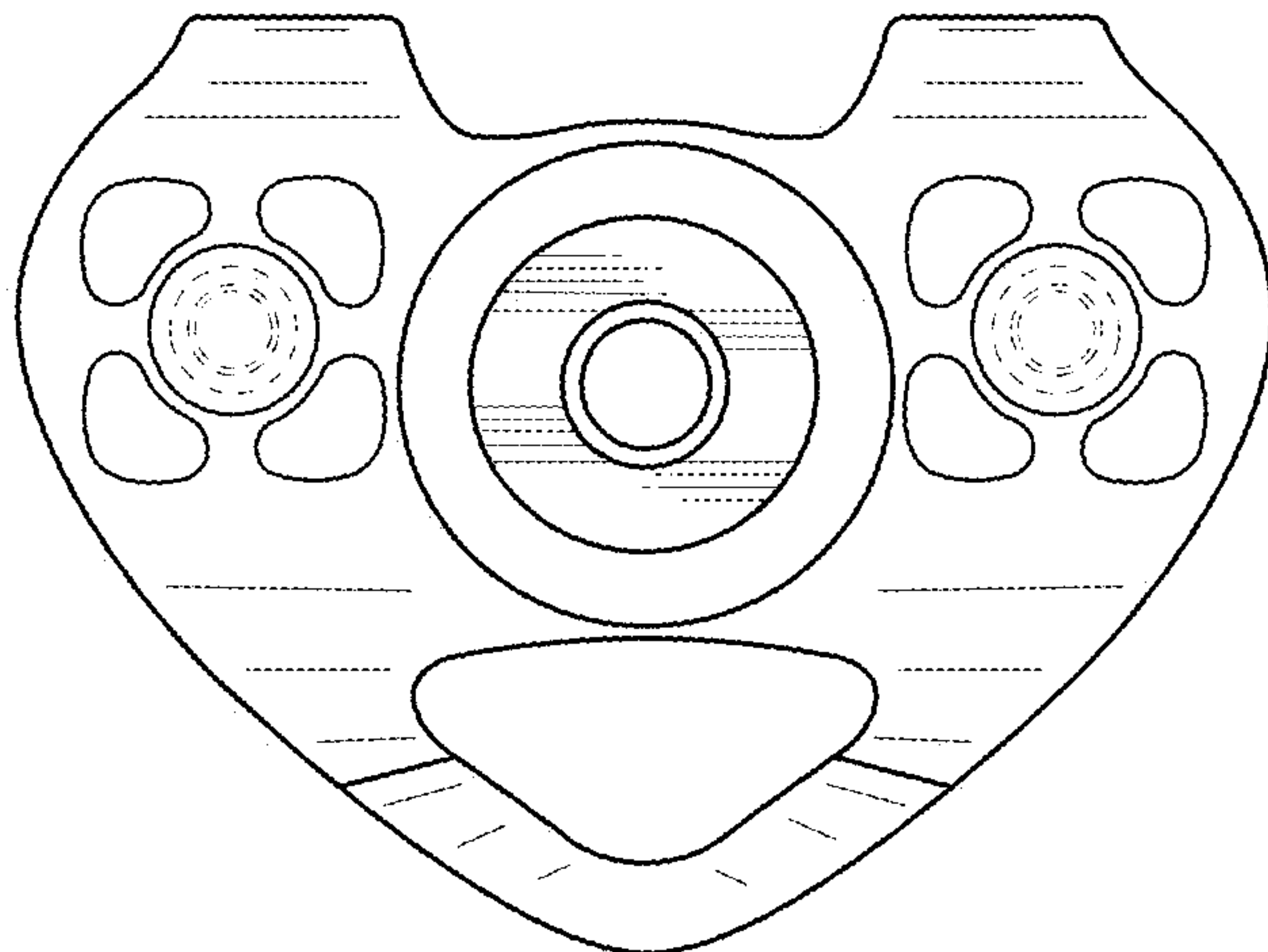


FIG. 3

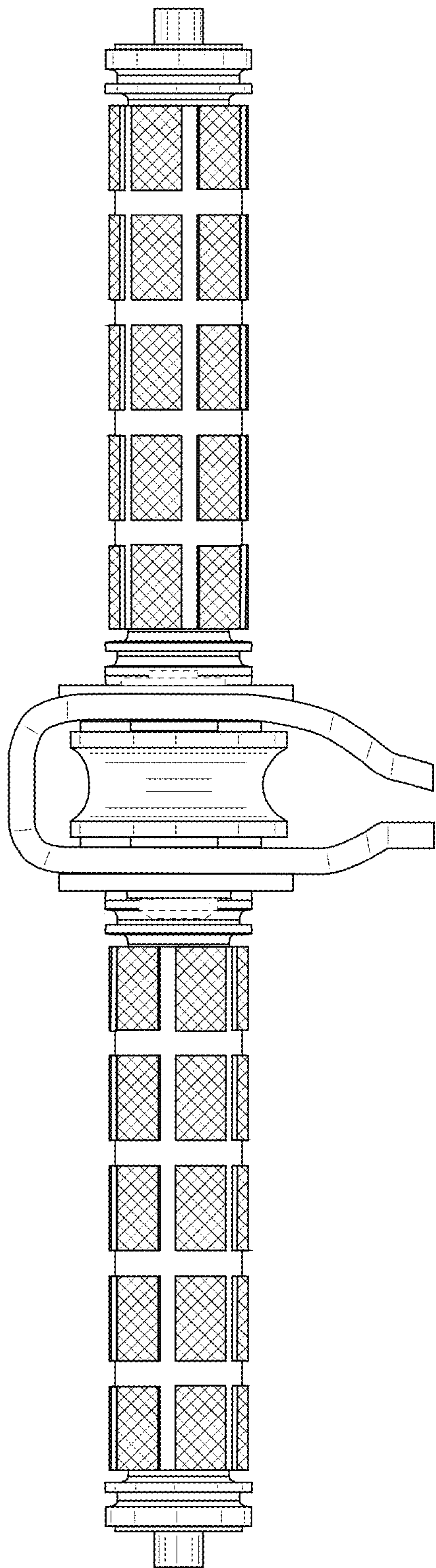


FIG. 4

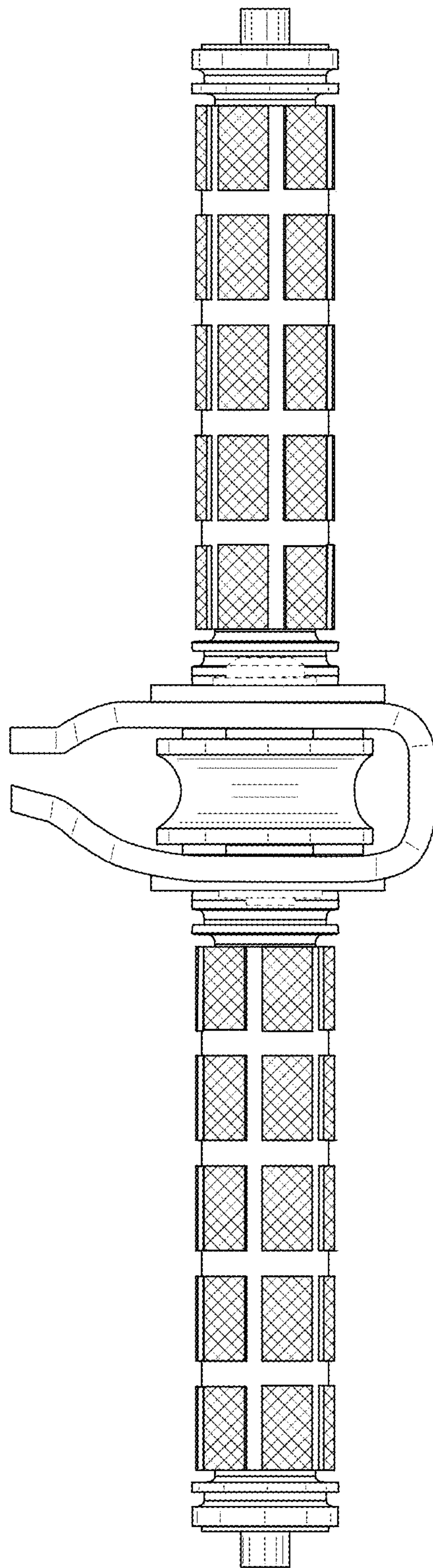


FIG. 5

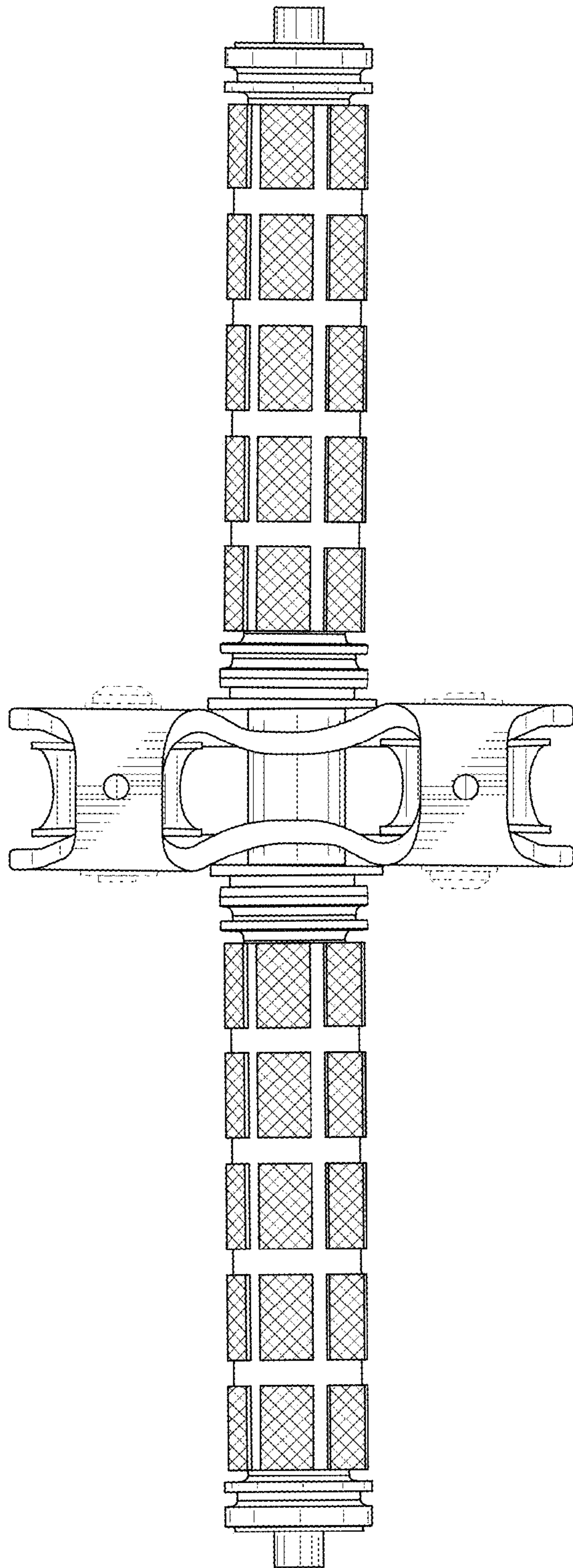


FIG. 6

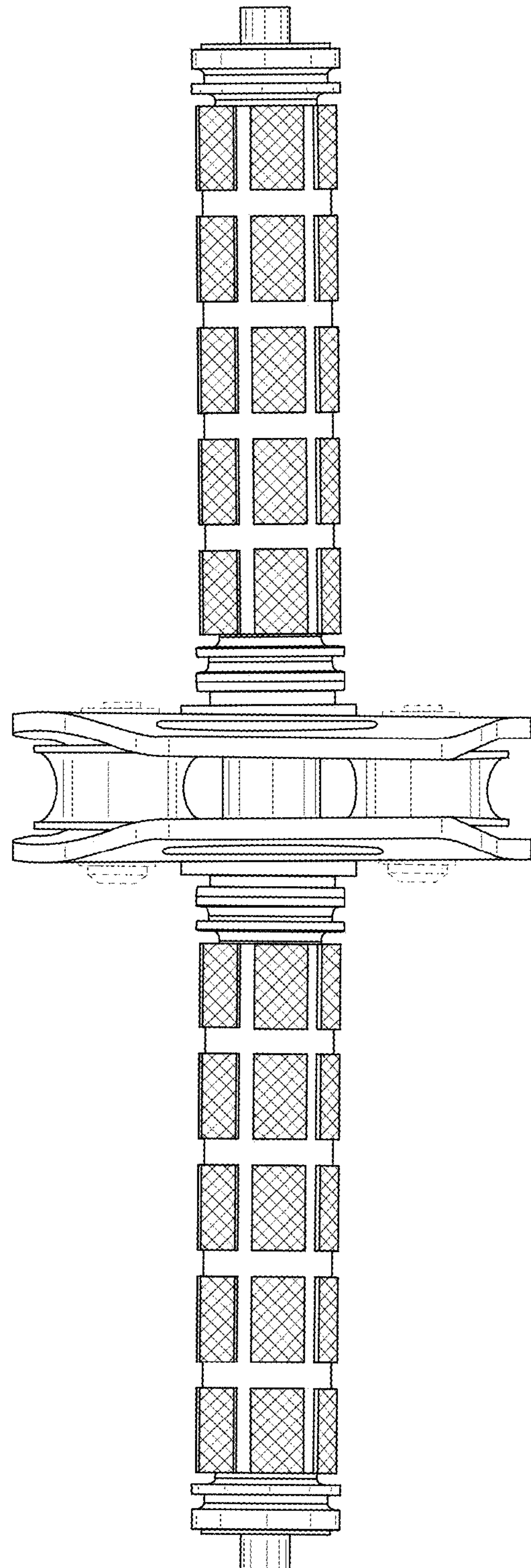


FIG. 7