



US00D930459S

(12) **United States Design Patent**
Breines

(10) **Patent No.:** **US D930,459 S**

(45) **Date of Patent:** **** Sep. 14, 2021**

- (54) **FOAM HOLDER FOR ITEMS**
- (71) Applicant: **Robert Breines**, Westlake Village, CA (US)
- (72) Inventor: **Robert Breines**, Westlake Village, CA (US)
- (**) Term: **15 Years**
- (21) Appl. No.: **29/785,202**
- (22) Filed: **May 24, 2021**
- (51) **LOC (13) Cl.** **09-06**
- (52) **U.S. Cl.**
USPC **D8/356**
- (58) **Field of Classification Search**
USPC D8/356, 354, 349, 394; D13/155, 154, D13/147; 248/68.1
CPC B63B 59/02; B63B 21/045; H02G 7/12
See application file for complete search history.

H2203	H *	10/2007	Borchardt	D8/396
D568,254	S *	5/2008	Patchett	D13/155
D568,723	S *	5/2008	Morgan	D8/356
D569,234	S *	5/2008	Young, IV	D13/154
D569,236	S *	5/2008	Young, IV	D13/154
D569,712	S *	5/2008	Young, IV	D13/154
7,394,963	B2 *	7/2008	Hartlef	G02B 6/4471
					385/134
D587,101	S *	2/2009	Morgan	D8/356
D587,102	S *	2/2009	Morgan	D8/356
D589,899	S *	4/2009	Huang	D13/147
D596,128	S *	7/2009	Hung	D13/147
D612,225	S *	3/2010	Forte	D8/356
D617,741	S *	6/2010	Fennell	D13/154
7,825,337	B2 *	11/2010	Young, IV	H02G 3/30
					174/135
D638,690	S *	5/2011	Hoek	D8/356
D638,691	S *	5/2011	Hoek	D8/356
D638,692	S *	5/2011	Hoek	D8/356
D639,145	S *	6/2011	Hoek	D8/356
D639,146	S *	6/2011	Hoek	D8/356

(Continued)

Primary Examiner — Cynthia R Underwood
(74) *Attorney, Agent, or Firm* — QuickPatents; Kevin Prince

(56) **References Cited**

U.S. PATENT DOCUMENTS

1,371,619	A *	3/1921	Greenstreet	A63H 33/06
					446/124
2,229,935	A *	1/1941	Powers	E04H 15/322
					24/129 B
4,244,544	A *	1/1981	Kornat	F16L 3/13
					248/68.1
5,316,246	A *	5/1994	Scott	A61M 5/1418
					248/68.1
D372,188	S *	7/1996	Van Dyke	D8/358
5,954,301	A *	9/1999	Joseph	H01R 9/2416
					248/68.1
6,206,330	B1 *	3/2001	Oi	F16B 37/0842
					248/635
6,360,051	B1 *	3/2002	Daoud	G02B 6/3801
					385/134
D488,054	S *	4/2004	Myers	D8/356
6,801,704	B1 *	10/2004	Daoud	G02B 6/4471
					385/134

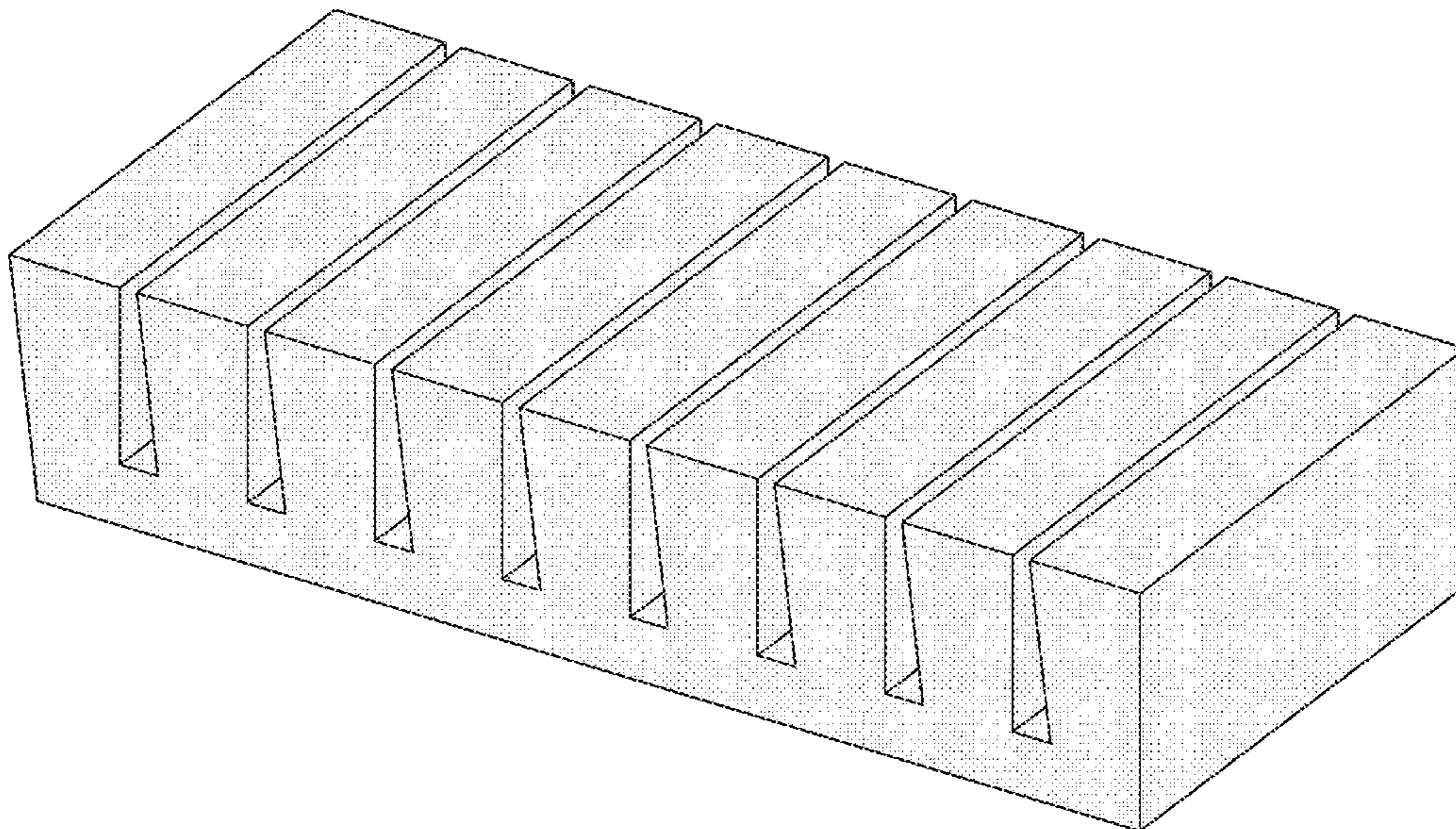
(57) **CLAIM**

The ornamental design for a foam holder for items, as shown and described.

DESCRIPTION

FIG. 1 is a top perspective view of a foam holder for items, showing my new design;
FIG. 2 is a top plan view thereof;
FIG. 3 is a bottom plan view thereof;
FIG. 4 is a front elevational view thereof, the rear elevational view being a mirror image thereof; and,
FIG. 5 is a left-side elevational view thereof, the right-side elevational view being a mirror image thereof.

1 Claim, 4 Drawing Sheets



(56)

References Cited

U.S. PATENT DOCUMENTS

D640,527 S *	6/2011	Hoek	D8/356	D790,127 S *	6/2017	Verleur	D27/183
D644,501 S *	9/2011	Chen	D8/356	D799,941 S *	10/2017	Rothenberg	D8/356
D657,869 S *	4/2012	Mammen	D24/128	D800,540 S *	10/2017	Suess	D8/356
D668,620 S *	10/2012	Convert	D13/147	D802,168 S *	11/2017	Lee	D25/119
8,294,030 B2 *	10/2012	Pollard, Jr.	H02G 3/24	D803,164 S *	11/2017	Noble	D13/155
			174/155	D805,879 S *	12/2017	Garcia	D8/356
D680,851 S *	4/2013	Lo	D8/356	D822,122 S *	7/2018	Bilezikian	D21/484
D691,875 S *	10/2013	Ganski	D8/356	D822,463 S *	7/2018	Han	D8/360
D691,878 S *	10/2013	Ganski	D8/356	D834,923 S *	12/2018	Chrouser	D8/356
8,998,151 B2 *	4/2015	Hoek	F16L 3/223	D853,336 S *	7/2019	Barram	D13/155
			248/68.1	D858,457 S *	9/2019	Maggard	D13/155
D728,349 S *	5/2015	Lake	D8/356	D866,479 S *	11/2019	Hoshikawa	D13/155
D742,212 S *	11/2015	Hsu	D8/396	D886,991 S *	6/2020	Kindler	D24/128
D743,048 S *	11/2015	Kuran	D24/231	D886,992 S *	6/2020	Kindler	D24/128
D749,209 S *	2/2016	Uhlenkamp	D24/128	D907,988 S *	1/2021	Yu	D8/356
D755,043 S *	5/2016	Bailey	D8/394	D909,188 S *	2/2021	Kou	D8/356
D767,500 S *	9/2016	Byrne	D13/154	D910,572 S *	2/2021	Yang	D13/139.2
D768,089 S *	10/2016	Liu	D13/154	2004/0118982 A1 *	6/2004	Shillings	F16L 3/223
D773,414 S *	12/2016	Hoffman	D13/183				248/68.1
D774,002 S *	12/2016	Hsieh	D13/155	2005/0189453 A1 *	9/2005	DeGuevara	H02G 3/305
9,575,278 B2 *	2/2017	Leclerc	G02B 6/4471				248/68.1
9,618,143 B2 *	4/2017	Noble	F16L 3/24	2007/0235597 A1 *	10/2007	Winchester	F16L 3/223
							248/68.1
				2011/0147542 A1 *	6/2011	Hoek	F16L 3/223
							248/68.1

* cited by examiner

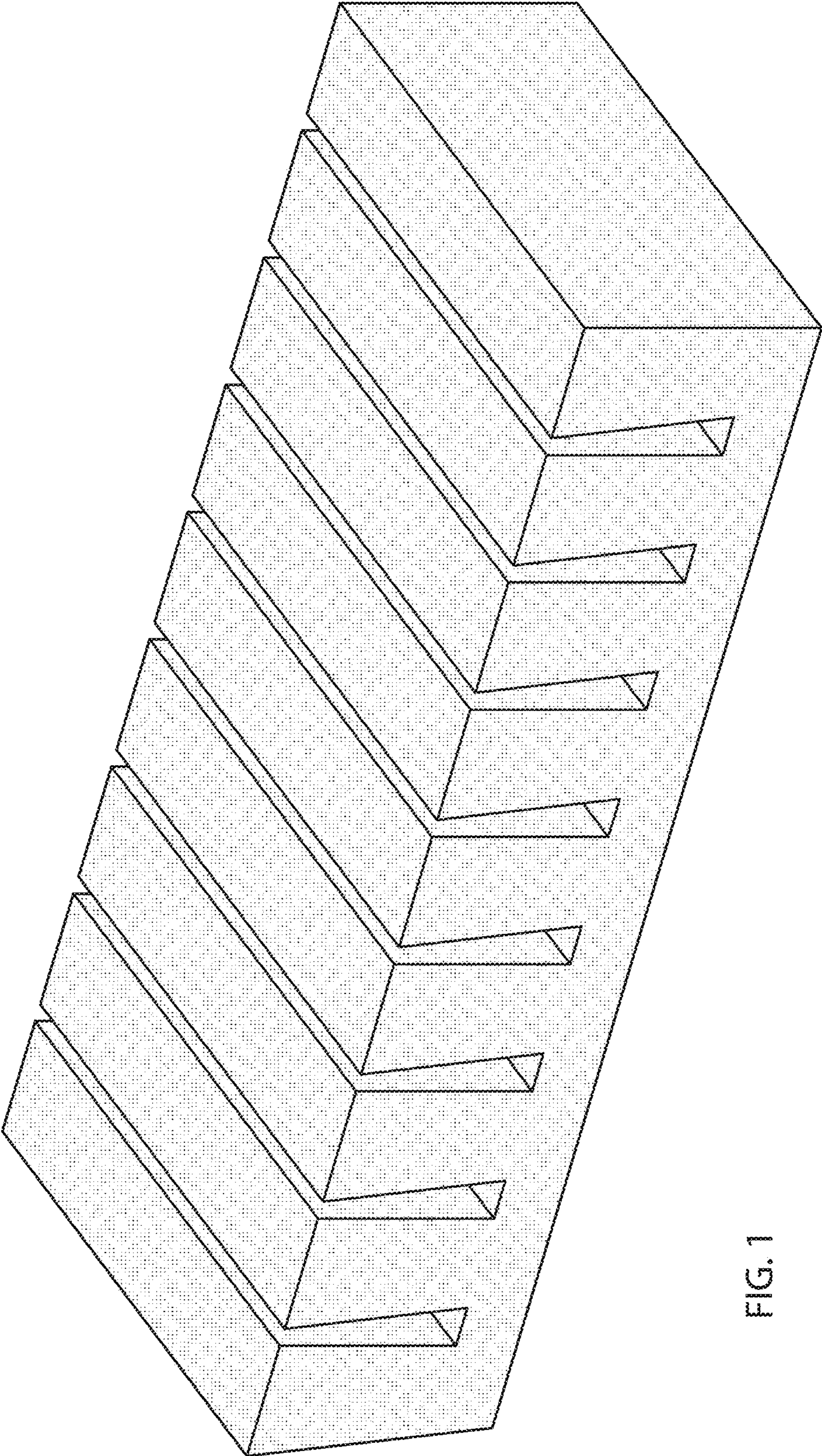


FIG. 1

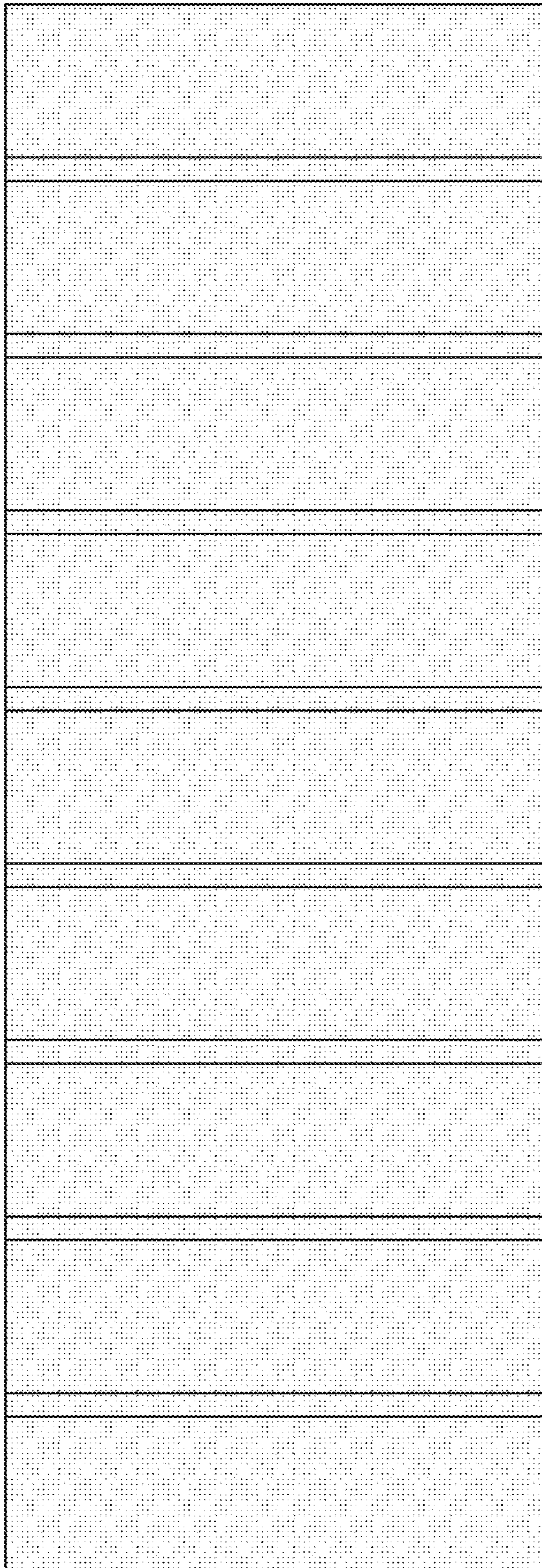


FIG. 2

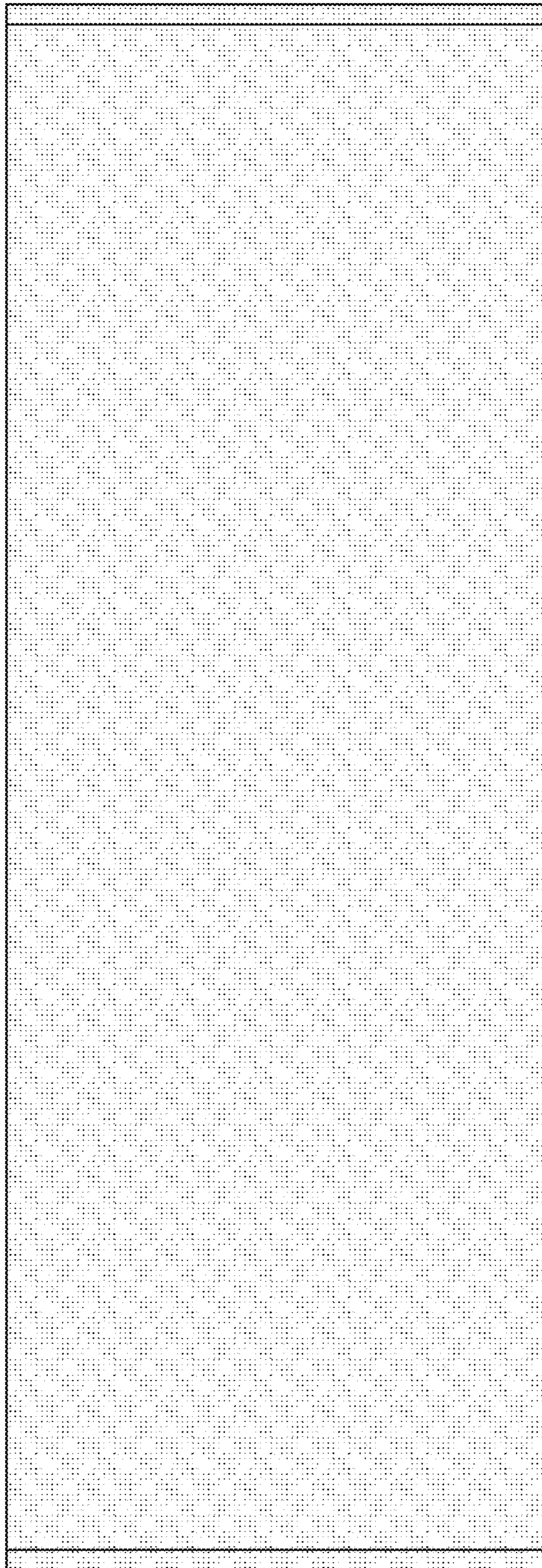


FIG. 3

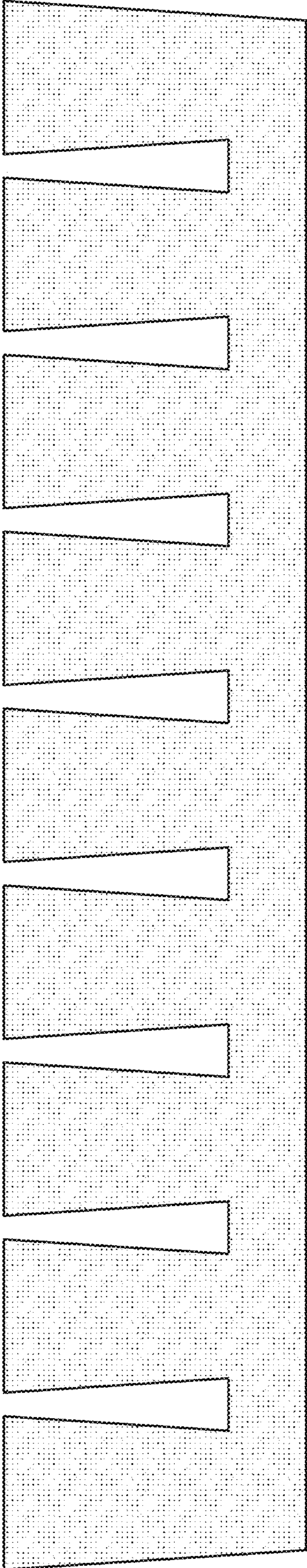


FIG. 4

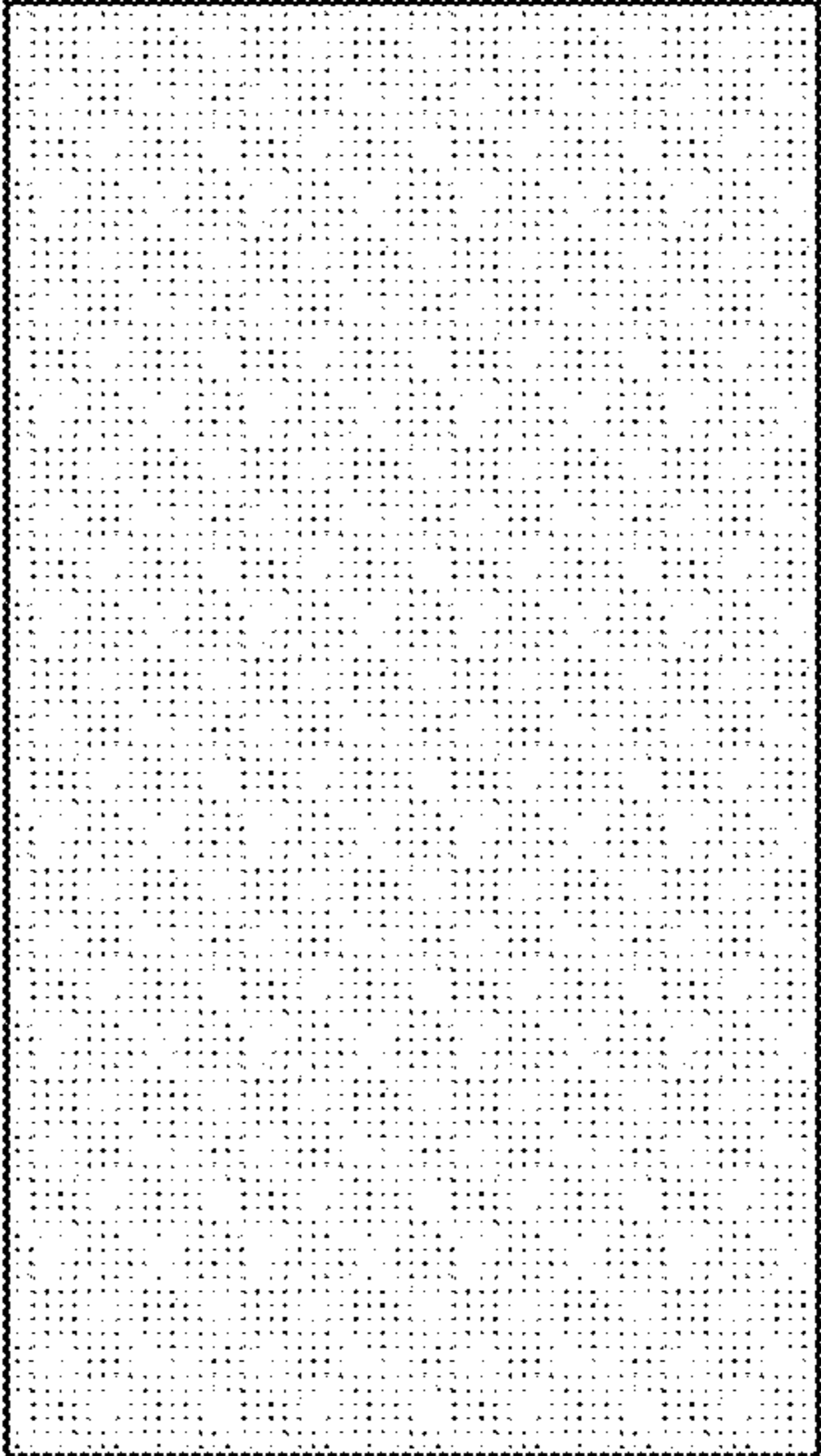


FIG. 5