



US00D930458S

(12) **United States Design Patent** (10) **Patent No.:** **US D930,458 S**
Waugh et al. (45) **Date of Patent:** **** *Sep. 14, 2021**

(54) **LOCK CASING**

(71) Applicant: **Pacific Lock Company**, Valencia, CA (US)

(72) Inventors: **Gregory B. Waugh**, Stevenson Ranch, CA (US); **Joshua Fleagane**, Pasadena, CA (US)

(*) Notice: This patent is subject to a terminal disclaimer.

(**) Term: **15 Years**

(21) Appl. No.: **29/579,598**

(22) Filed: **Sep. 30, 2016**

(51) **LOC (13) Cl.** **08-07**

(52) **U.S. Cl.**

USPC **D8/346**; D8/330; D8/343

(58) **Field of Classification Search**

USPC D8/330, 331, 343, 346; 70/14, 57, 70/51-55, 158, DIG. 43, DIG. 56

CPC E05B 9/00; E05B 9/02; E05B 2009/004; E05B 2009/006; E05B 9/04; E05B 2009/008; Y10S 312/902

See application file for complete search history.

(56) **References Cited**

U.S. PATENT DOCUMENTS

695,347 A	3/1902	Soley
1,490,987 A	4/1924	Soref
1,564,463 A	12/1925	Best
1,788,396 A	1/1931	Johnson
1,921,434 A	8/1933	Stone
2,460,615 A	2/1949	Andrew
3,143,872 A	8/1964	Check
3,172,279 A	3/1965	Patriquin
3,404,549 A	10/1968	Best
3,690,130 A	9/1972	Eutzler
3,817,062 A	6/1974	Randel

(Continued)

OTHER PUBLICATIONS

PACLOCK's 2177Series Padlock, Buy America Act Compliant, Patent Pending Cone Puck w/ Tapped Holes, High Security 6-Pin Cylinder One Lock Keyed to #26537 w/ 2 Keys, Case Hardened 12L14 Steel, Brand: PACLOCK, <https://www.amazon.com/PACLOCKS-Compliant-Security-Cylinder-Hardened/dp/B07X5138KC>, Aug. 27, 2019 (Year: 2019).*

(Continued)

Primary Examiner — Elizabeth J Oswecki

(74) *Attorney, Agent, or Firm* — Patent Law Agency, LLC; Peter Ganjian

(57) **CLAIM**

The ornamental design for a lock casing, as shown and described.

DESCRIPTION

FIG. 1 is a perspective view of a lock casing showing our design;

FIG. 2 is a second perspective view of the lock casing shown in FIG. 1;

FIG. 3 is a third perspective view of the lock casing shown in FIG. 1;

FIG. 4 is a fourth perspective view of the lock casing shown in FIG. 1;

FIG. 5 is a fifth perspective view of the lock casing shown in FIG. 1;

FIG. 6 is a sixth perspective view of the lock casing shown in FIG. 1;

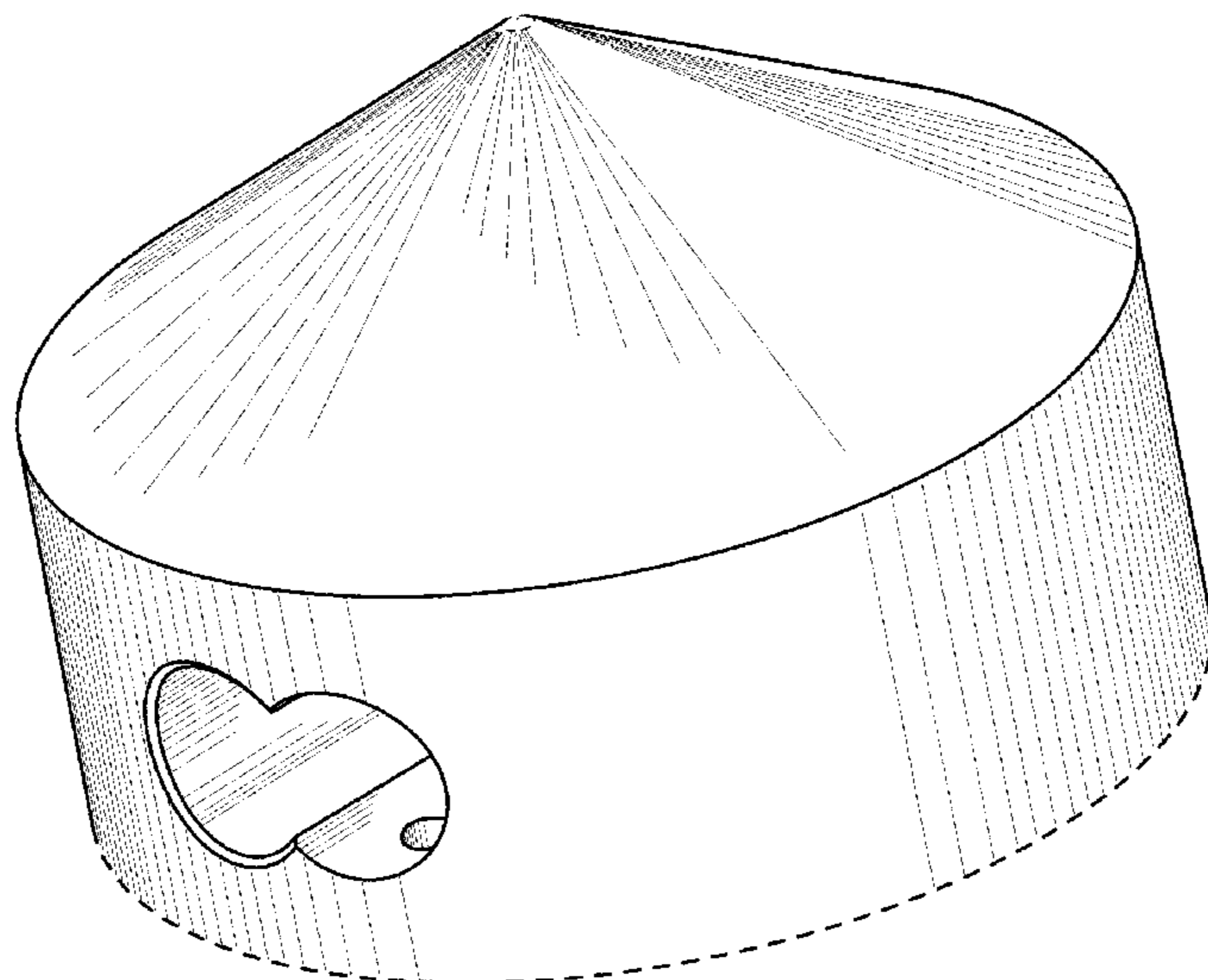
FIG. 7 is a side elevation view of the lock casing shown in FIG. 1;

FIG. 8 is a bottom plan view of the lock casing shown in FIG. 1; and,

FIG. 9 is a top plan view of the lock casing shown in FIG. 1.

The portions of the design in broken lines are for the purpose of illustrating the environment only and form no part of the claimed design.

1 Claim, 9 Drawing Sheets



(56)

References Cited

U.S. PATENT DOCUMENTS

3,820,360 A 6/1974 Best
 3,882,699 A 5/1975 Flack et al.
 3,901,058 A 8/1975 Best
 3,996,774 A 2/1976 Best
 4,068,510 A 1/1978 Neary
 4,075,878 A 2/1978 Best
 4,102,161 A 7/1978 Proefrock
 4,109,496 A 8/1978 Allemann et al.
 4,112,716 A 9/1978 Wippich
 4,228,669 A 10/1980 Bischoff
 4,254,648 A 3/1981 Dietrich
 4,328,690 A 5/1982 Oliver
 4,345,448 A 8/1982 Solomon
 4,347,720 A 9/1982 Kenyon
 4,444,034 A 4/1984 Best et al.
 4,672,828 A 6/1987 Theriault
 4,793,166 A 12/1988 Marks
 4,882,918 A * 11/1989 Stanich E05B 67/02
 70/54
 4,905,486 A * 3/1990 Appelbaum E05B 67/38
 70/417
 4,926,670 A 5/1990 Deforrest, Sr.
 5,033,279 A * 7/1991 Lebrecht E05B 17/002
 70/55
 5,121,618 A 6/1992 Scott
 5,127,244 A 7/1992 Myers
 5,174,136 A 12/1992 Thwing
 5,193,372 A 3/1993 Sieg et al.
 D336,030 S 6/1993 Falk et al.
 5,233,851 A 8/1993 Florian
 5,345,794 A 9/1994 Jenks
 5,361,611 A 11/1994 Hisler
 5,398,531 A 3/1995 Shen
 D379,059 S * 5/1997 Turner D8/346
 5,669,255 A * 9/1997 Albano E05B 17/2084
 70/381
 5,765,408 A 6/1998 Sanseverino
 D397,026 S * 8/1998 Drake D8/346
 D406,045 S * 2/1999 Turner D8/346
 5,873,272 A 2/1999 Thompson
 5,878,604 A 3/1999 Stone et al.
 6,005,306 A 12/1999 Pickard
 6,009,731 A 1/2000 Emmons et al.
 6,109,080 A 8/2000 Chen et al.
 6,146,536 A 11/2000 Twardowski
 6,233,984 B1 5/2001 Blehi, III
 D446,441 S * 8/2001 Brake D8/346
 6,338,261 B1 1/2002 Liu
 D454,051 S * 3/2002 Drake D8/346
 D455,638 S * 4/2002 Livingston D8/346
 6,374,653 B1 4/2002 Gokcebay et al.
 6,425,274 B1 7/2002 Laitala et al.
 6,467,317 B1 10/2002 Hillabush et al.
 6,581,419 B1 6/2003 Strodtman
 6,606,890 B1 8/2003 Widen
 6,609,739 B1 8/2003 Avganim
 6,634,196 B2 10/2003 Huang
 6,684,668 B1 * 2/2004 Hsueh Lee E05B 67/02
 70/312
 6,758,075 B1 7/2004 Thwing
 6,766,671 B2 7/2004 Haczynski et al.
 6,854,303 B2 2/2005 Shiao et al.
 6,883,356 B1 4/2005 Wu
 6,915,670 B2 7/2005 Gogel
 6,948,345 B1 9/2005 Ruan
 RE38,832 E 10/2005 Thwing
 6,981,396 B1 1/2006 Kim
 7,003,994 B2 2/2006 Ruan

7,047,774 B1 5/2006 Gogel
 D527,614 S * 9/2006 St. James D8/335
 7,278,284 B1 10/2007 James
 D569,226 S * 5/2008 Brewster D8/346
 7,412,855 B2 8/2008 Dolev
 7,543,466 B2 7/2009 Loughlin et al.
 7,770,422 B1 8/2010 Sierra
 7,836,736 B2 11/2010 Humphris
 7,946,142 B2 5/2011 Matyko et al.
 8,004,393 B2 8/2011 Haber
 8,281,624 B2 10/2012 Rizzi
 8,776,557 B2 * 7/2014 Wang E05B 67/36
 70/34
 8,935,944 B2 1/2015 Boesel et al.
 8,938,998 B2 1/2015 Haber
 8,978,426 B2 * 3/2015 Wang E05B 67/36
 70/34
 9,212,508 B2 12/2015 Loughlin et al.
 10,047,547 B2 * 8/2018 Waugh E05B 67/003
 2004/0093914 A1 5/2004 Vito
 2004/0144141 A1 7/2004 Ng
 2004/0221626 A1 11/2004 Palzkill et al.
 2004/0244442 A1 12/2004 Shiao et al.
 2005/0199027 A1 9/2005 Mannella
 2005/0252257 A1 11/2005 Woods et al.
 2006/0144100 A1 7/2006 Thomsen
 2006/0236730 A1 10/2006 Wyers
 2008/0105004 A1 5/2008 Wang
 2008/0105005 A1 5/2008 Wang
 2011/0316291 A1 12/2011 Loughlin et al.
 2012/0011682 A1 1/2012 Bppmstra et al.
 2012/0210754 A1 8/2012 Thomsen
 2013/0276488 A1 10/2013 Haber
 2014/0223974 A1 8/2014 Dolev
 2015/0075231 A1 3/2015 Waugh et al.

OTHER PUBLICATIONS

WO 2012/054839; Apr. 26, 2012.
 Letter from Mr. John Ulaszek to Mr. Gregory Waugh, President of Pacific Lock Company, the Assignee of the current application, 3 pages, Jan. 22, 2007.
 Letter from Mr. John Ulaszek to Mr. Gregory Waugh, President of Pacific Lock Company, the Assignee of the current application, 3 pages, Feb. 9, 2007.
 Provisional application cover sheet for U.S. Appl. No. 60/220,416, filed Jul. 24, 2000 and an attached page with a figure.
 Security Padlock Uses IC Core Cylinders, Gale Johnson, Locksmith Ledger, vol. 60, No. 13 (4 pages).
 Pacific Lock, Gregory B. Waugh, The National Locksmith, Jan. 2006, 6 pages.
 Pacific Lock Introduces the World's First Hockey-Pucks for SFIC's and KiK Cylinders, The National Locksmith, Jan. 2007, 6 pages.
 Lynk, William M., "Interchangeable Cores Small Format," The National Locksmith, 2000, 44 pages.
 WO 2012/054839 A1 Publication Date: Apr. 26, 2012.
 Johnson, Gale, Xperinetix Has a Better Idea, The Locksmith Ledger, Dec. 2000, 5 pages, San Diego, CA.
 Digital Seal From BABACO; WWW.BABACO.COM ; 2011.
 Truk Lok, III; WWW.BABACO.COM ; 2011.
 Truk Lok, II; WWW.BABACO.COM ; Jul. 29, 2013.
 Lock-Style Pull Solenoid—12VDC ; <https://www.adafruit.com/product/1512>; <https://www.youtube.com/watch?v=92kwSeiwI3U>; 2013.
 Lockitron Motoorized Door Lock Body; <https://www.adafruit.com/product/2579> ; 2011.
 Brouchure—4000D-X Dry Van Series; Utitlity Manufacturing Company; 2005.
 U.S. Appl. No. 11/907,149, filed Oct. 10, 2007 ; File History.

* cited by examiner

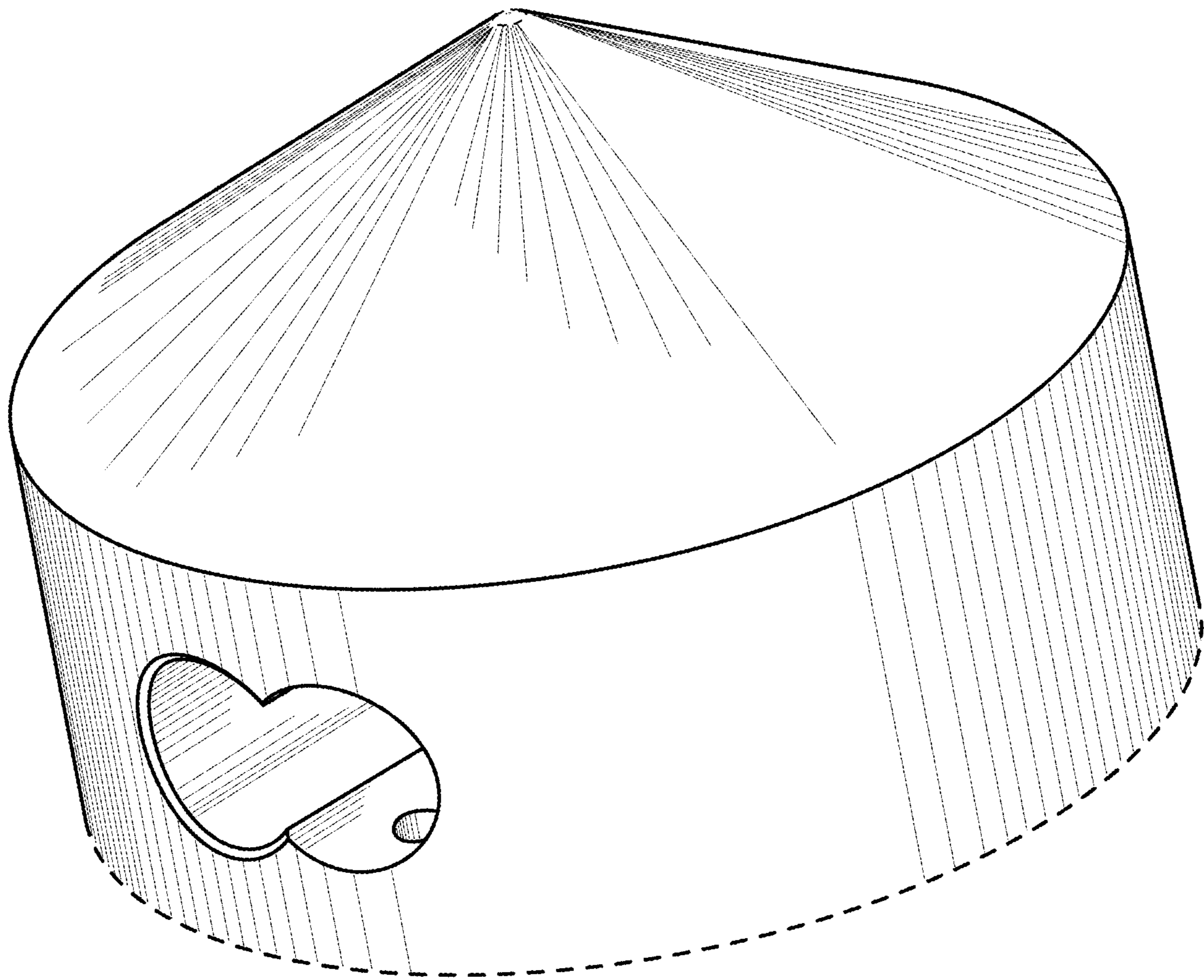


FIG. 1

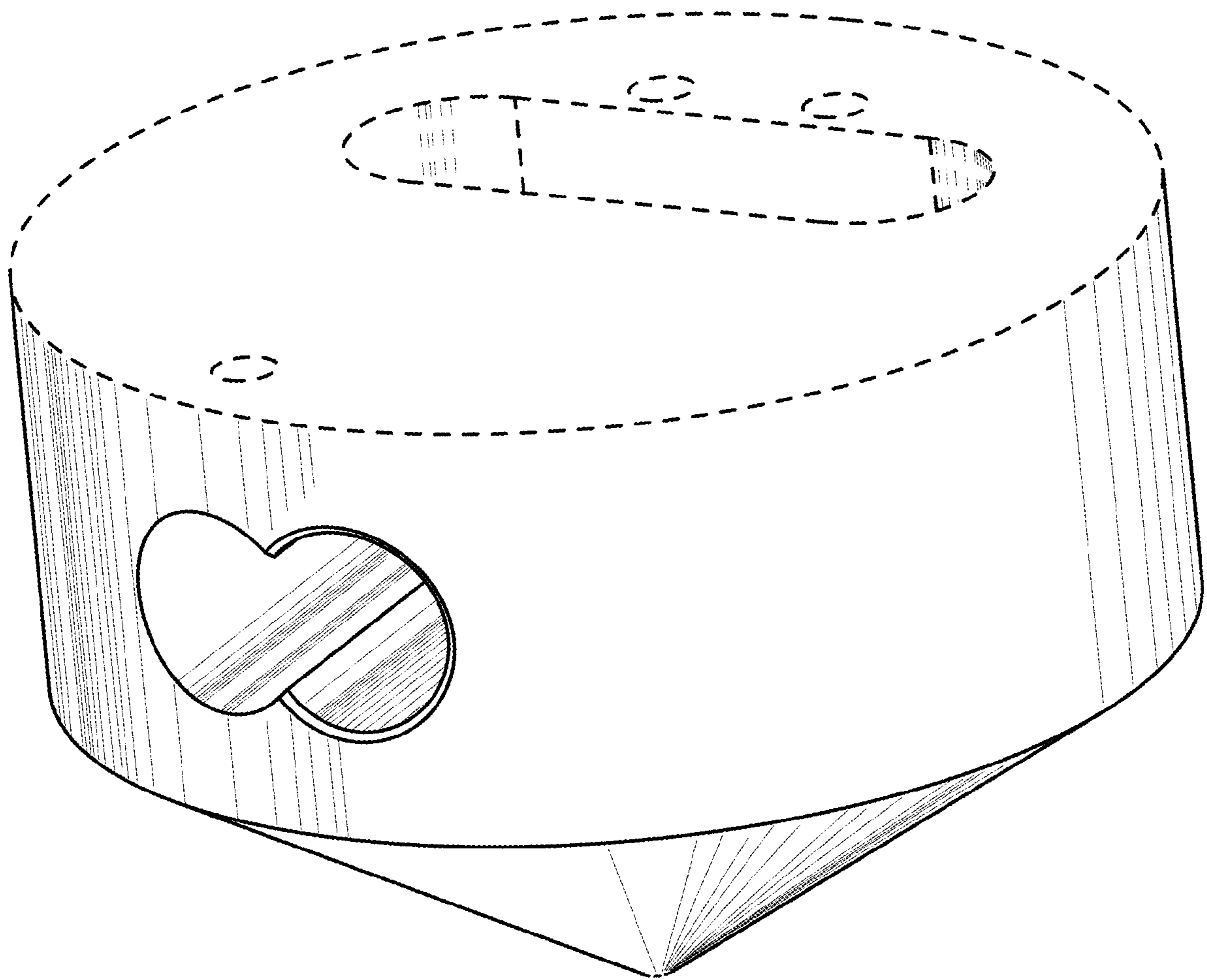


FIG. 2

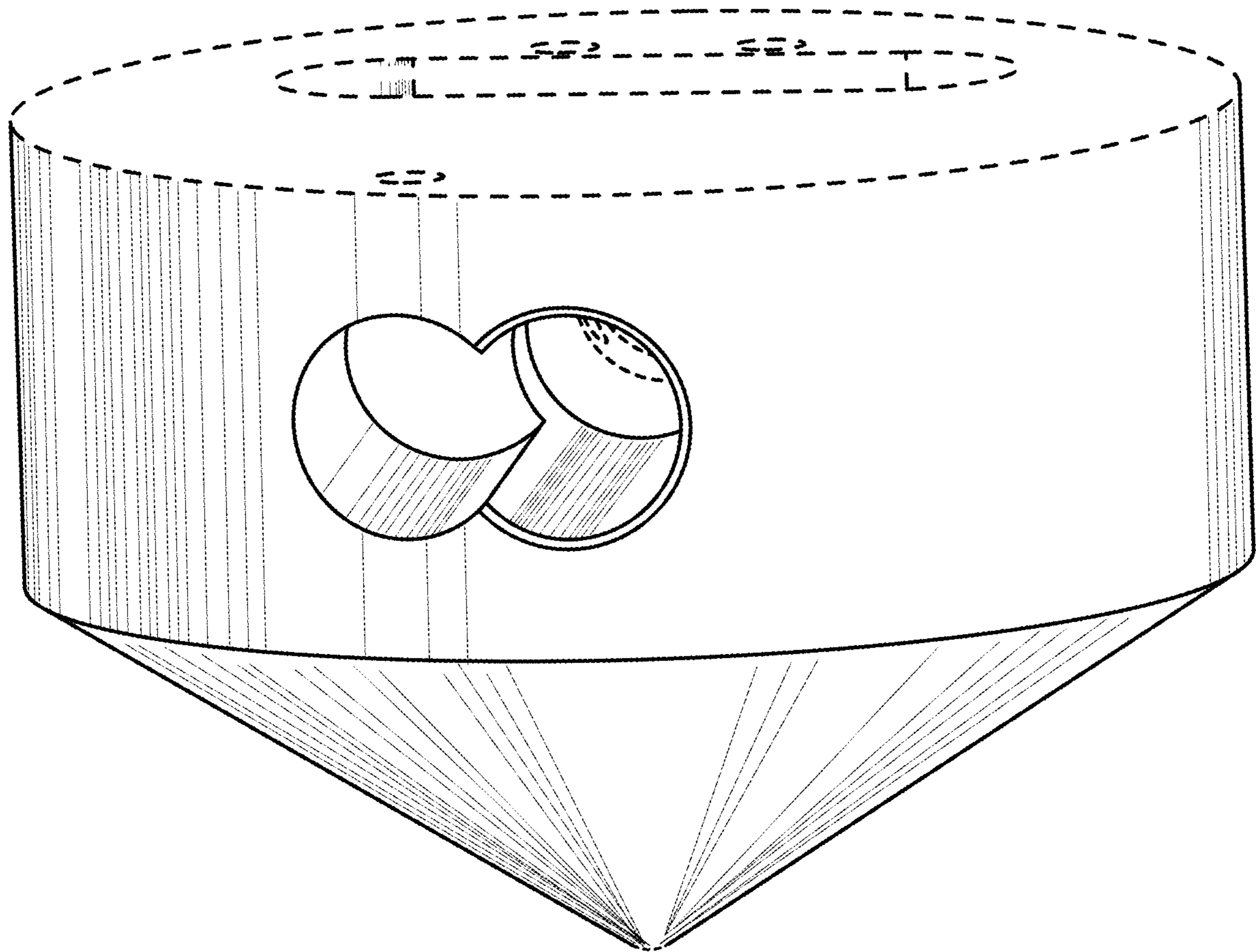


FIG. 3

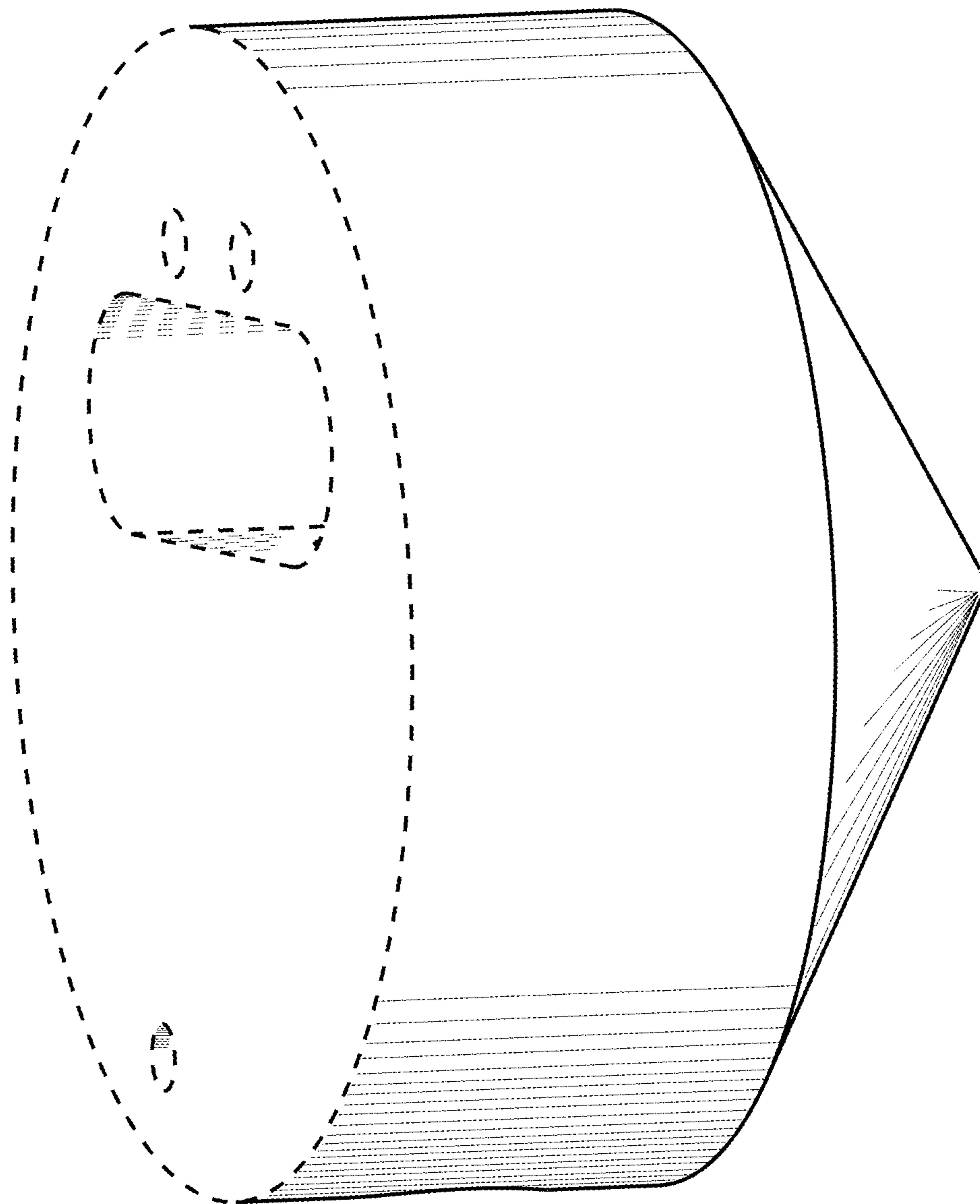


FIG. 4

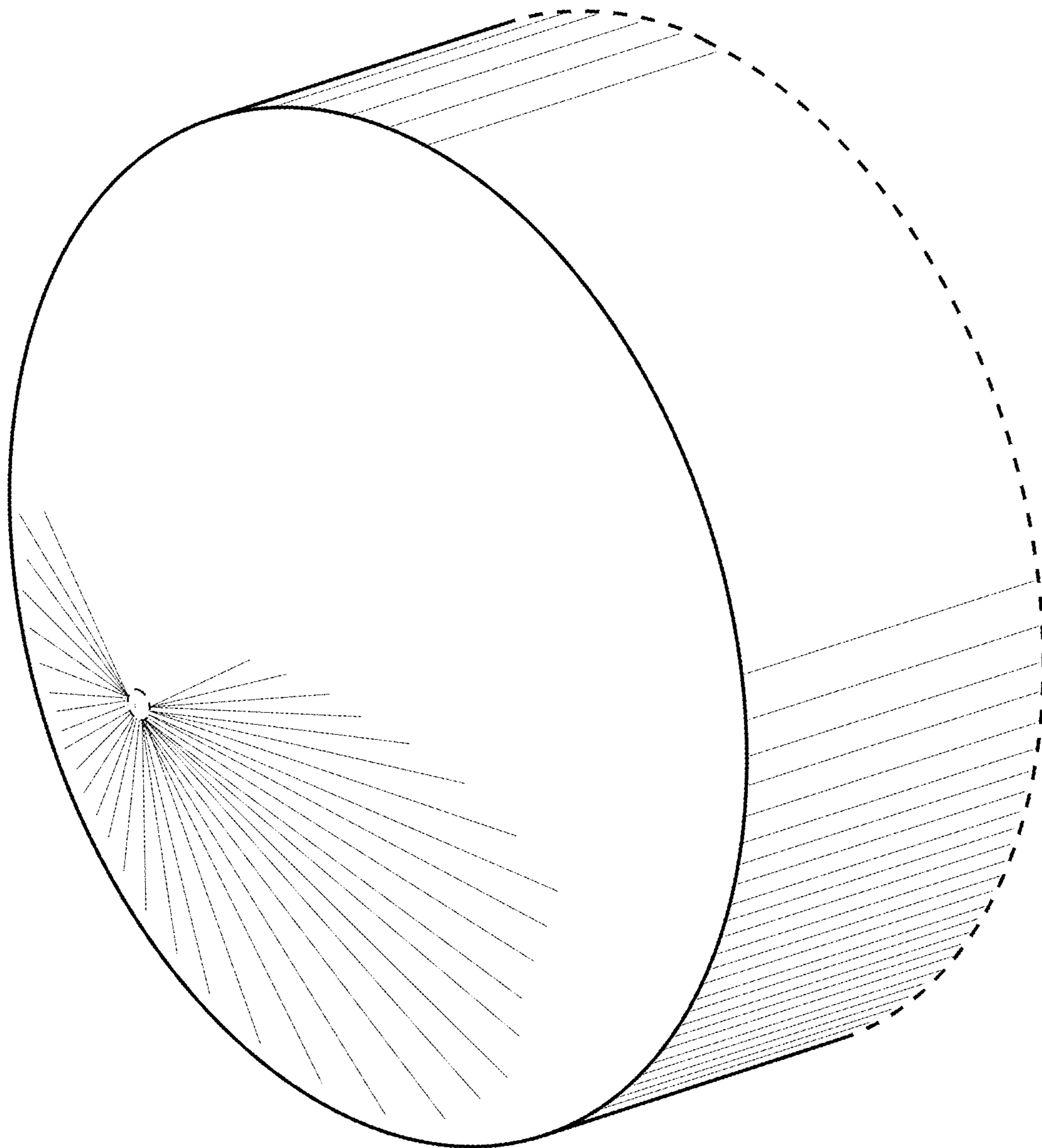


FIG. 5

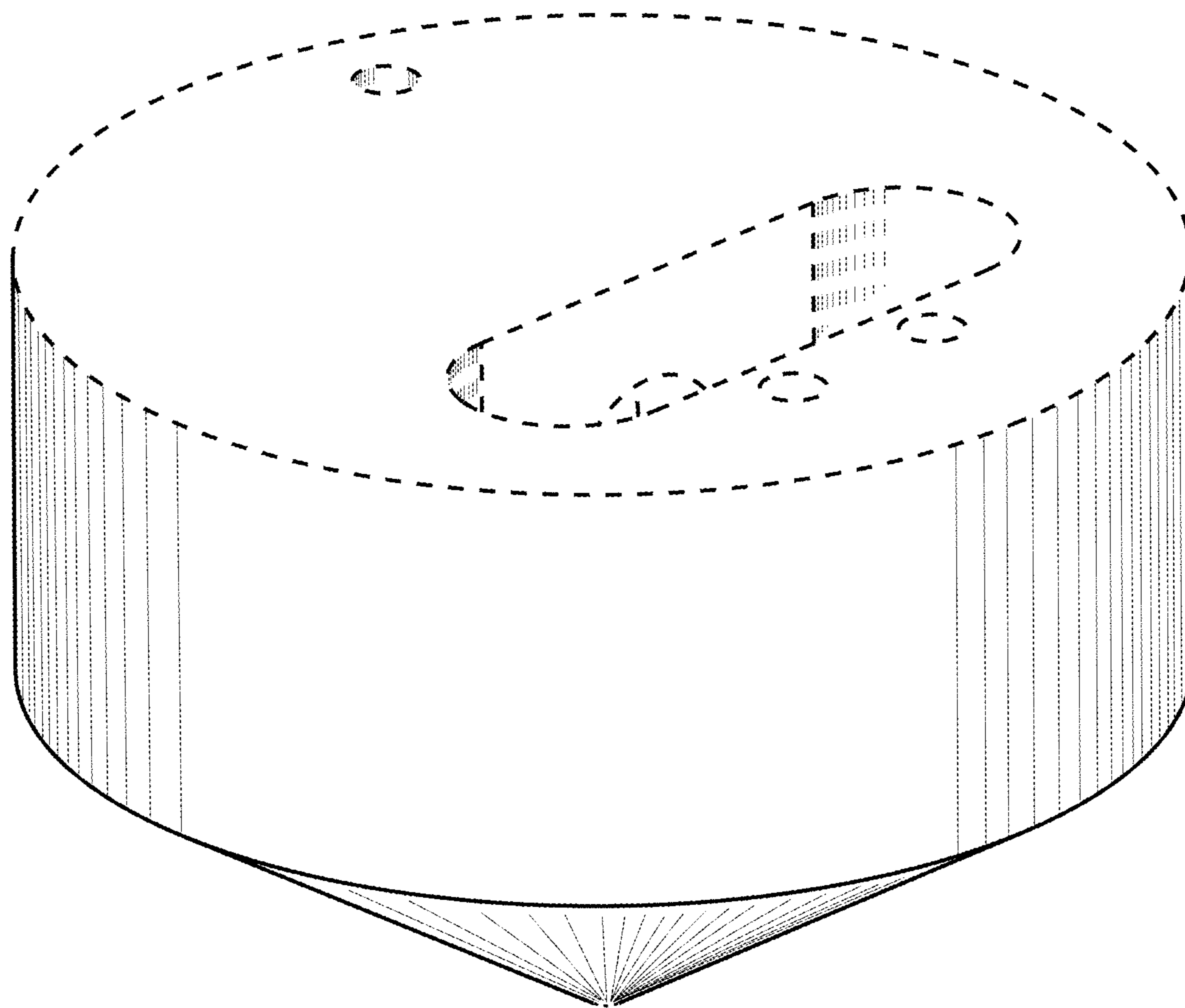


FIG. 6

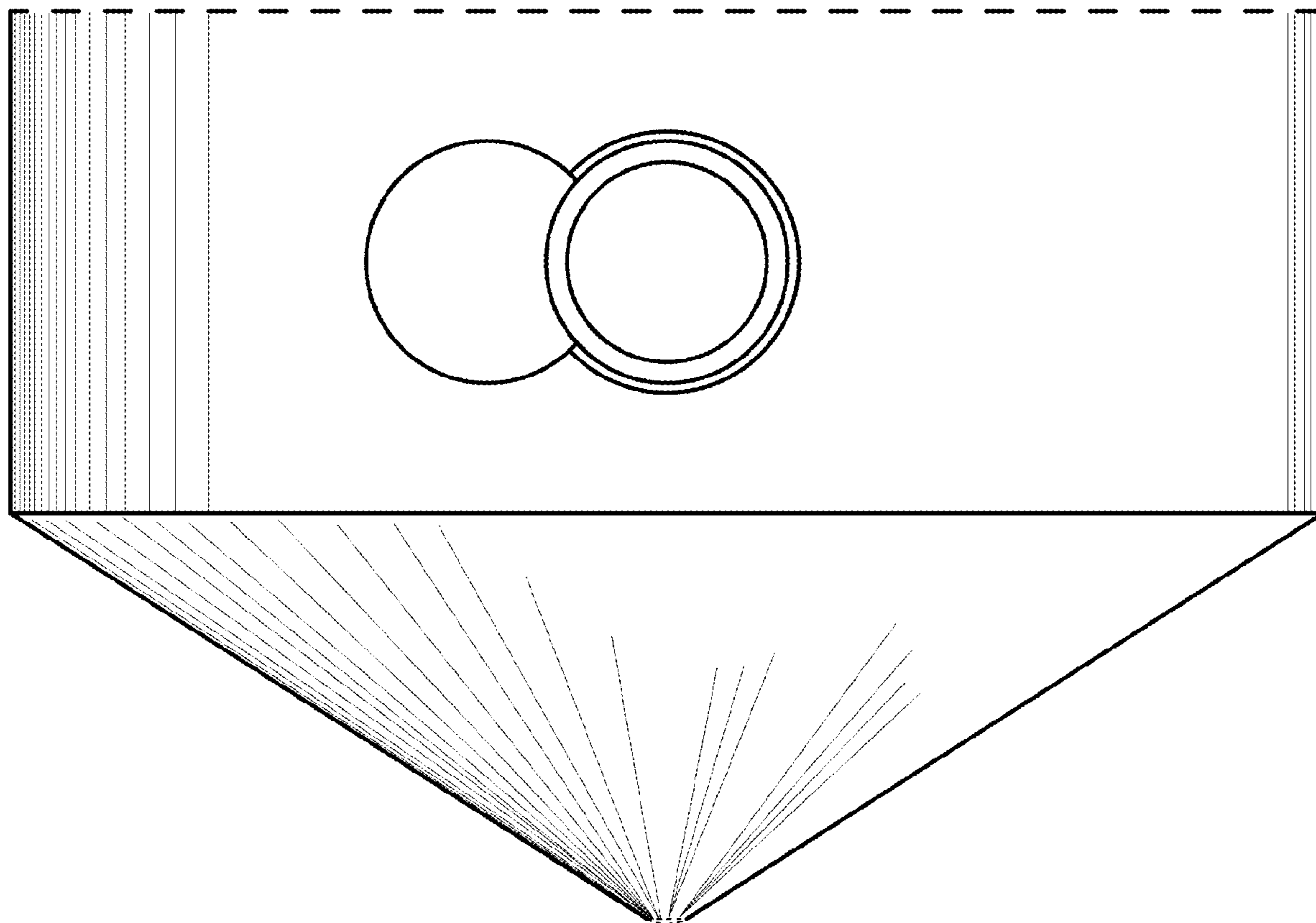


FIG. 7

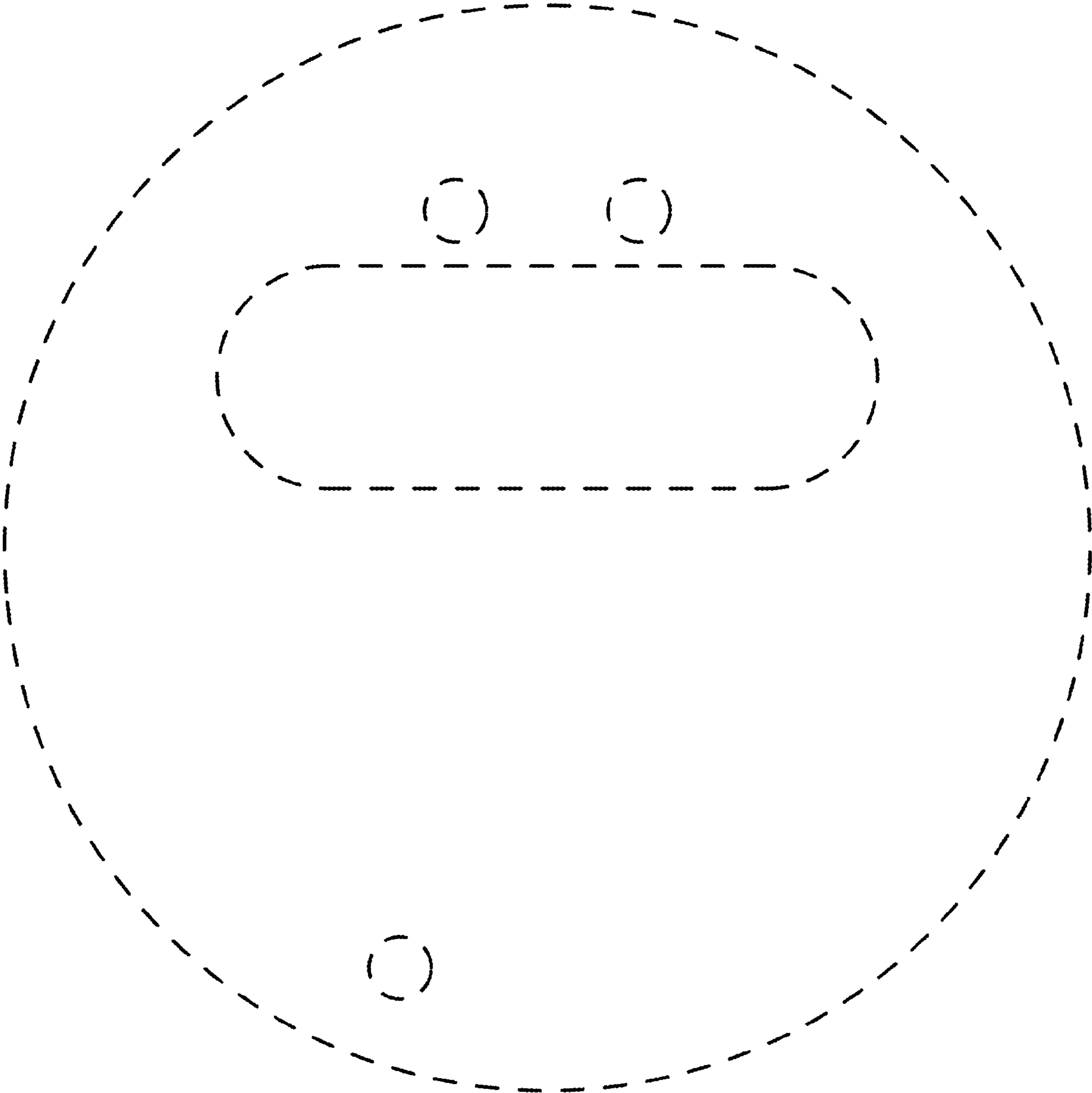


FIG. 8

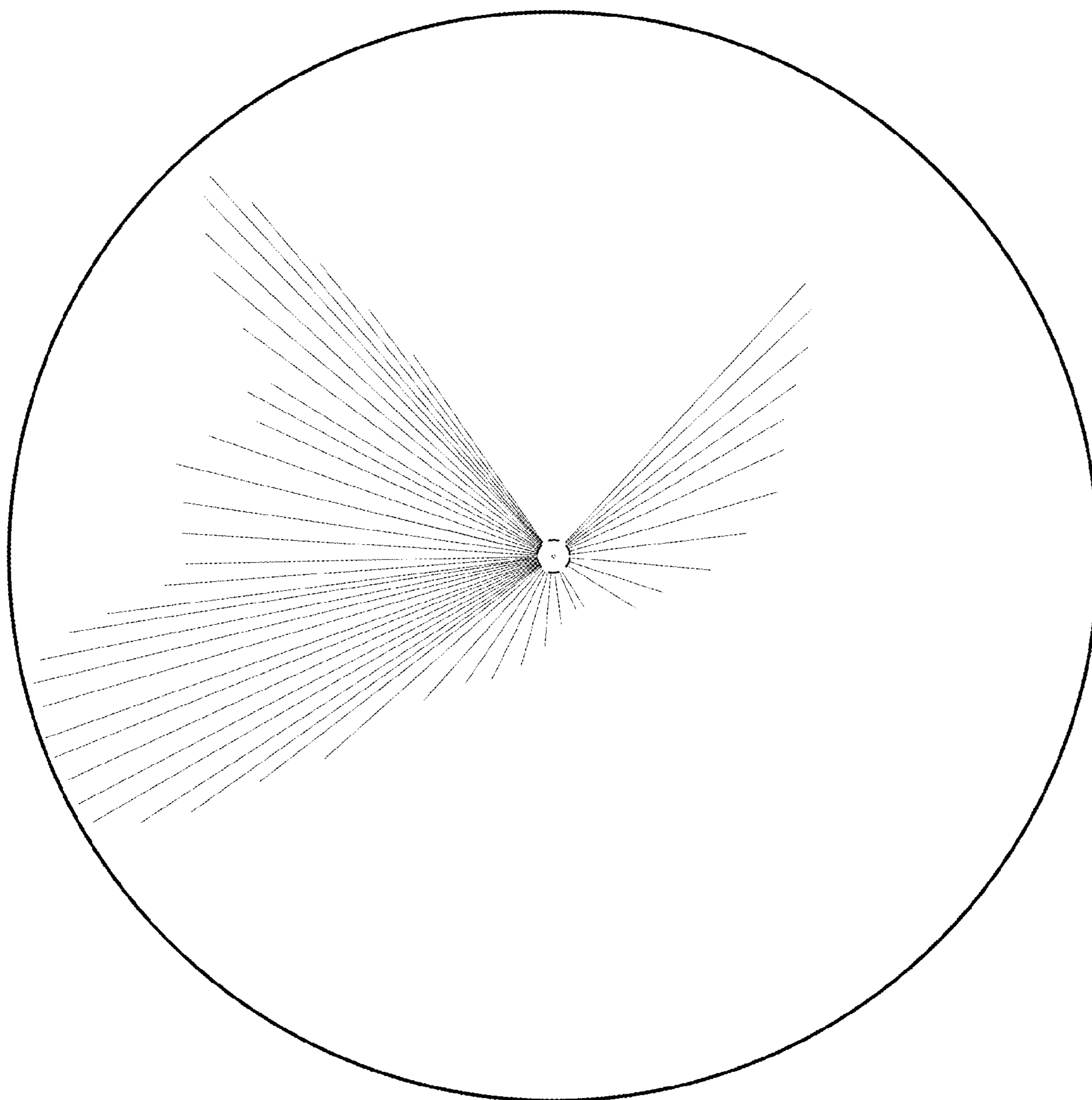


FIG. 9