



US00D930457S

(12) **United States Design Patent** (10) **Patent No.:** **US D930,457 S**
Long et al. (45) **Date of Patent:** **** Sep. 14, 2021**

(54) **DOOR LATCH**

(71) Applicant: **C&D ZODIAC, INC.**, Huntington Beach, CA (US)

(72) Inventors: **Eric Long**, Huntington Beach, CA (US); **Glen Noda**, Huntington Beach, CA (US)

(73) Assignee: **C&D ZODIAC, INC.**, Huntington Beach, CA (US)

(**) Term: **15 Years**

(21) Appl. No.: **29/610,333**

(22) Filed: **Jul. 11, 2017**

(51) **LOC (13) Cl.** **08-07**

(52) **U.S. Cl.**
USPC **D8/331**

(58) **Field of Classification Search**
USPC D8/330, 331, 336, 338, 343, 344, 347;
70/150, 432
CPC ... E05B 41/00; E05B 9/00; E05B 9/08; E05B
55/00; E05C 1/12; Y10T 70/55; Y10T
70/8027
See application file for complete search history.

2004/0218968 A1* 11/2004 Beaver E06C 1/32
403/95
2009/0236862 A1* 9/2009 Tomaszewski E05B 81/06
292/165
2011/0016938 A1* 1/2011 Chi E05B 41/00
70/432
2015/0225982 A1* 8/2015 Bronner E05B 63/0017
70/432
2016/0186463 A1* 6/2016 Roatis E05B 47/00
70/266
2018/0079517 A1* 3/2018 Peyron B64D 29/00
2018/0135334 A1* 5/2018 Gartner E05B 47/026
2018/0209185 A1* 7/2018 Long E05B 41/00
2019/0338999 A1* 11/2019 Lee E05C 1/12
2019/0368226 A1* 12/2019 Sweeney E05B 41/00

* cited by examiner

Primary Examiner — Manpreet S Matharu
Assistant Examiner — Yolanda Robinson
 (74) *Attorney, Agent, or Firm* — Jeffer Mangels Butler & Mitchell LLP; Brennan C. Swain, Esq.

(57) **CLAIM**

The ornamental design for a door latch, as shown and described.

DESCRIPTION

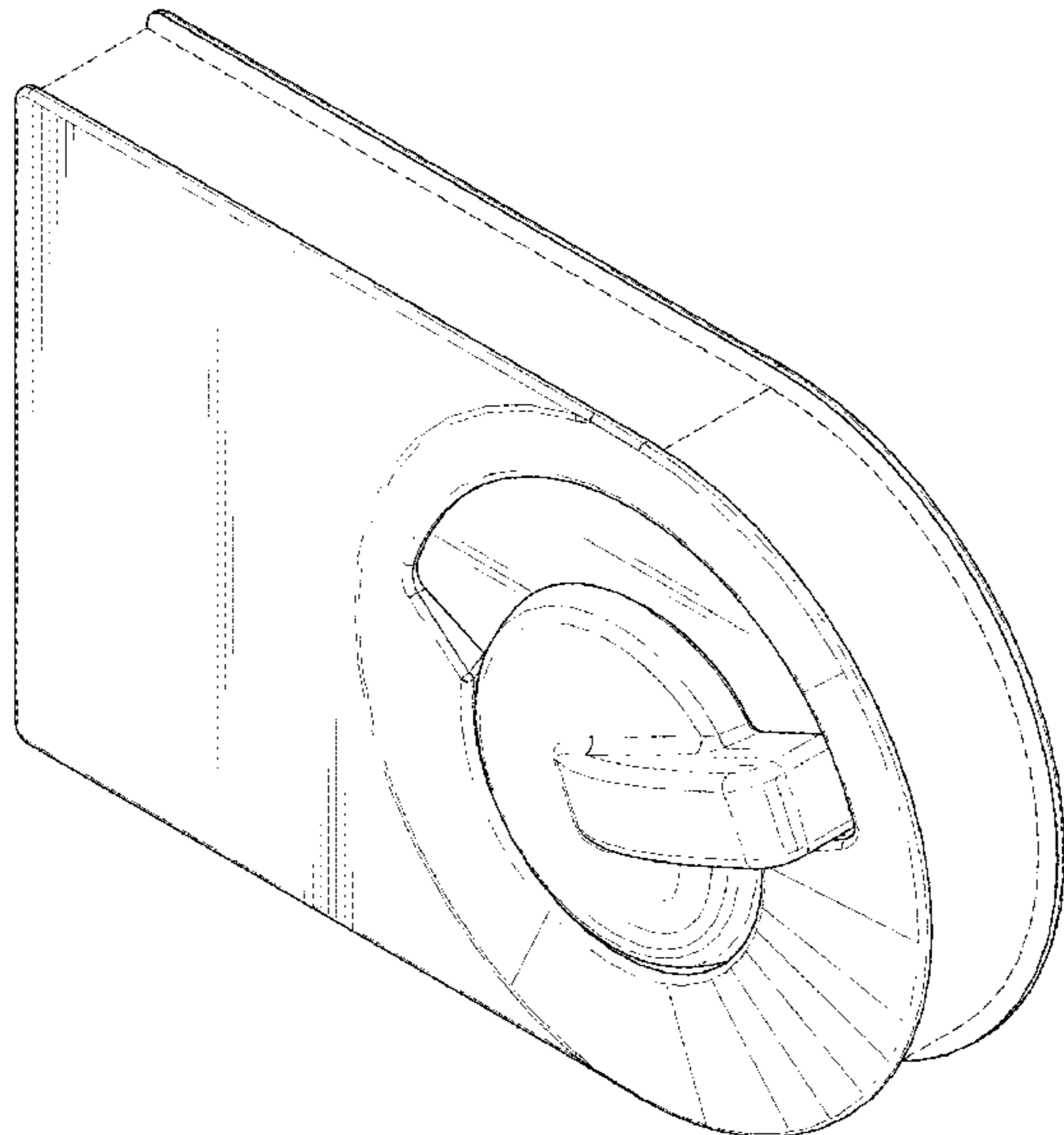
FIG. 1 is a front perspective view of the present invention;
 FIG. 2 is a front view thereof;
 FIG. 3 is a rear view thereof;
 FIG. 4 is a left side view thereof;
 FIG. 5 is a right side view thereof;
 FIG. 6 is a top plan view thereof;
 FIG. 7 is a bottom plan view thereof;
 FIG. 8 is a rear perspective view thereof; and,
 FIG. 9 is a cross-sectional view taken along line 9-9 of FIG. 2.

1 Claim, 9 Drawing Sheets

(56) **References Cited**

U.S. PATENT DOCUMENTS

4,490,999 A * 1/1985 Castle E05B 41/00
70/330
D433,920 S * 11/2000 Chang D8/331
D456,689 S * 5/2002 Nakamaru D8/343
D606,383 S * 12/2009 Henin D8/331
7,866,195 B2 * 1/2011 Levine E05B 41/00
116/80
D631,727 S * 2/2011 Hontz D8/331
8,037,725 B2 * 10/2011 Levine E05B 41/00
116/80
D869,941 S * 12/2019 Exley D8/358



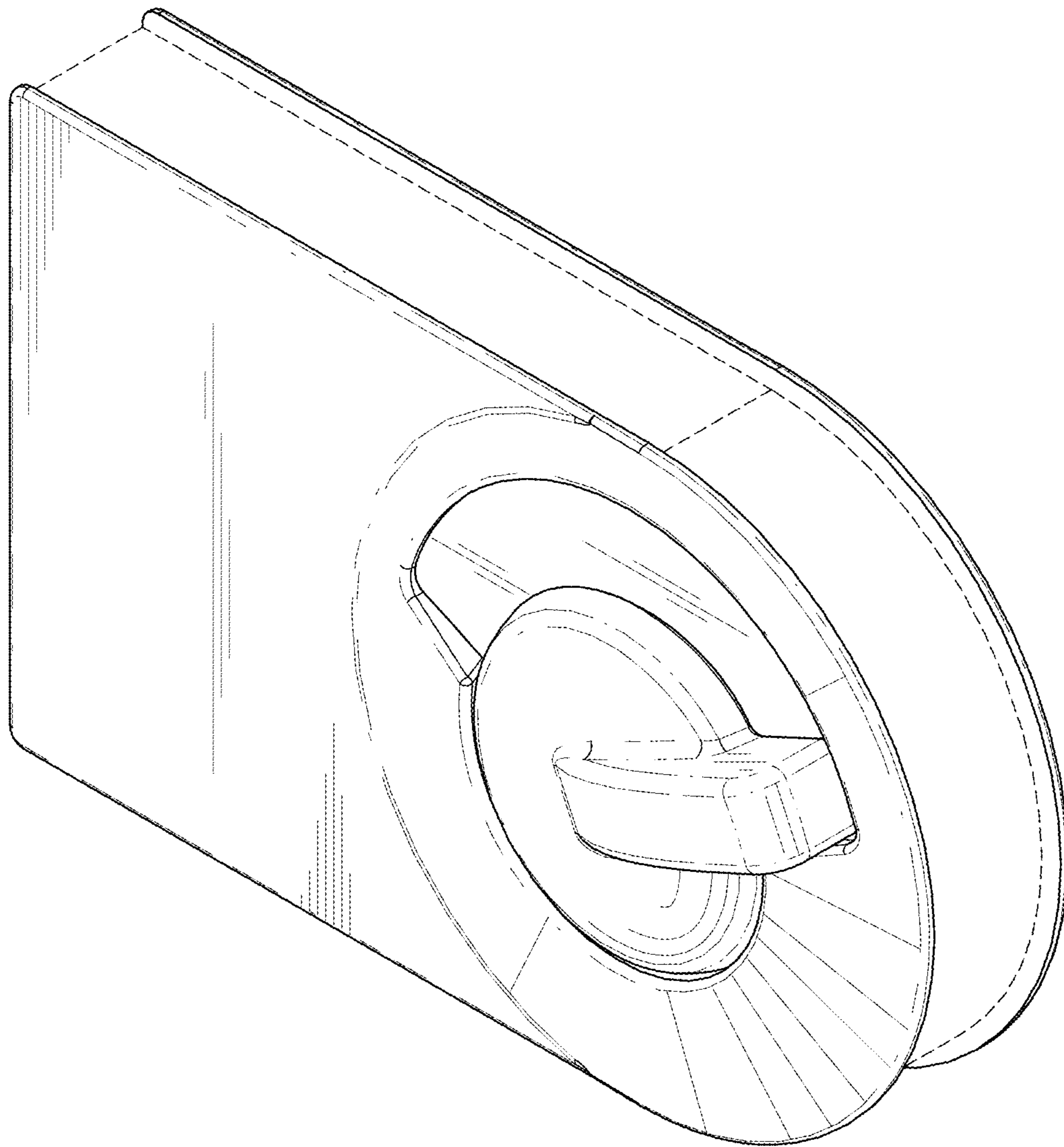


FIG. 1

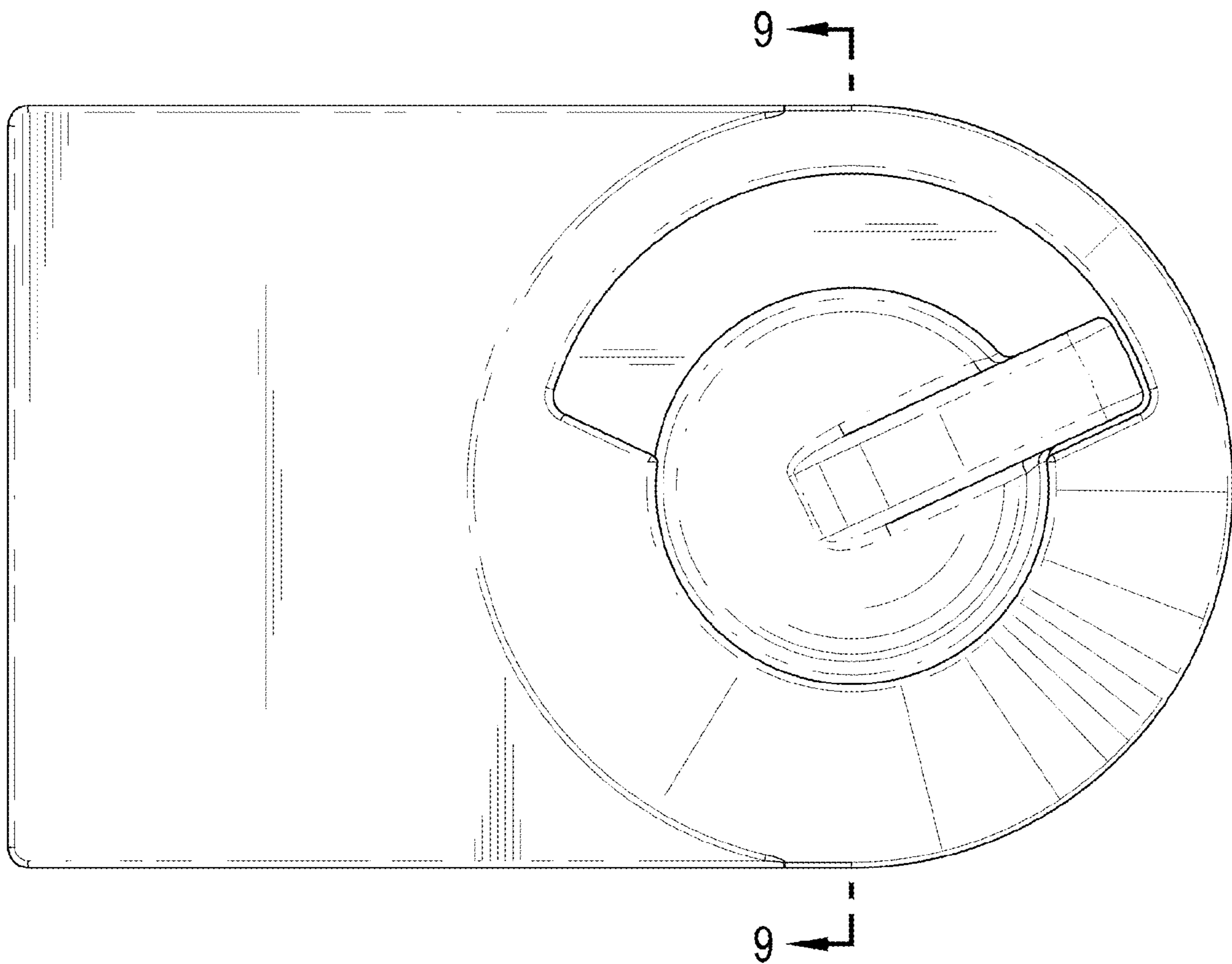


FIG. 2

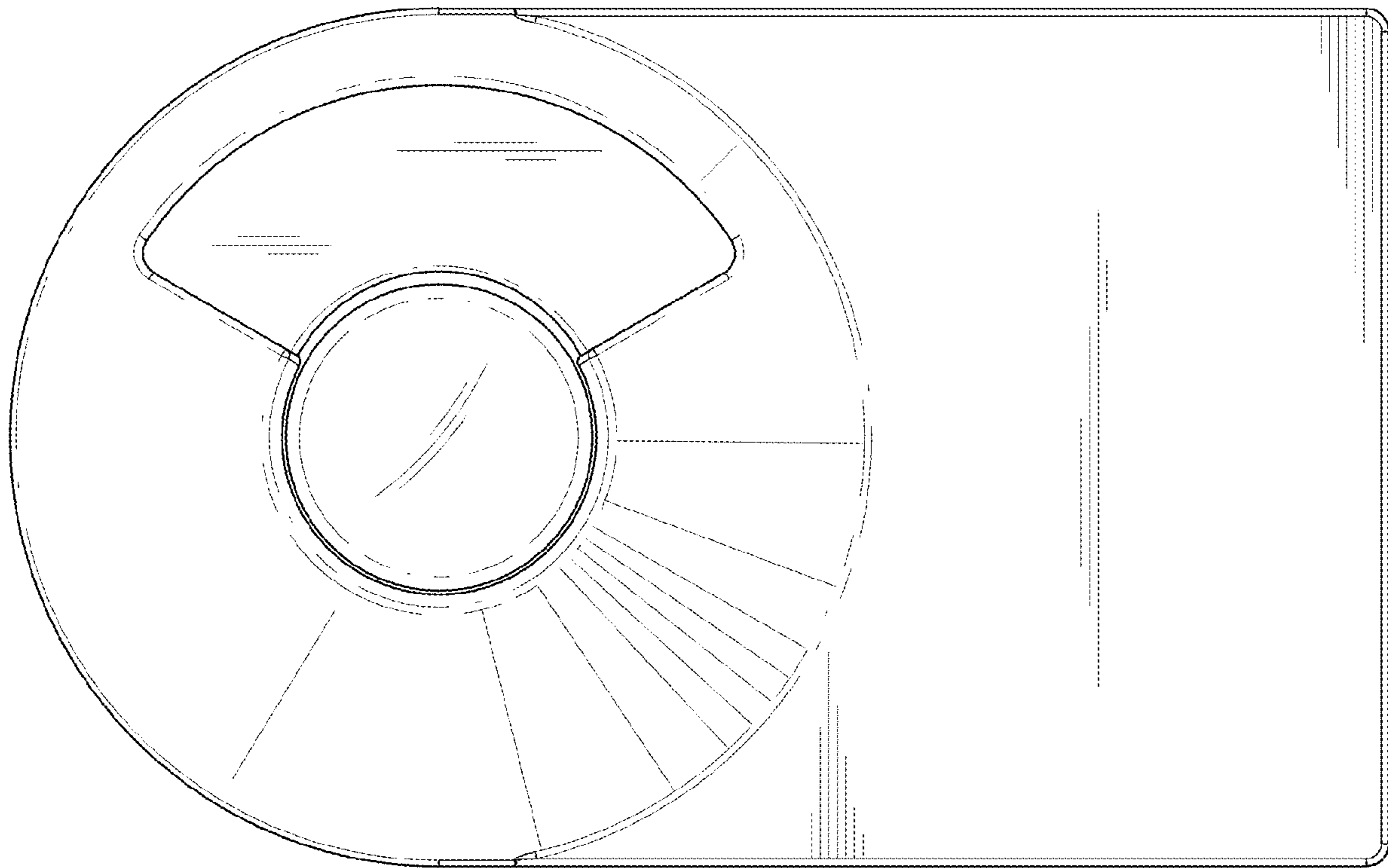


FIG. 3

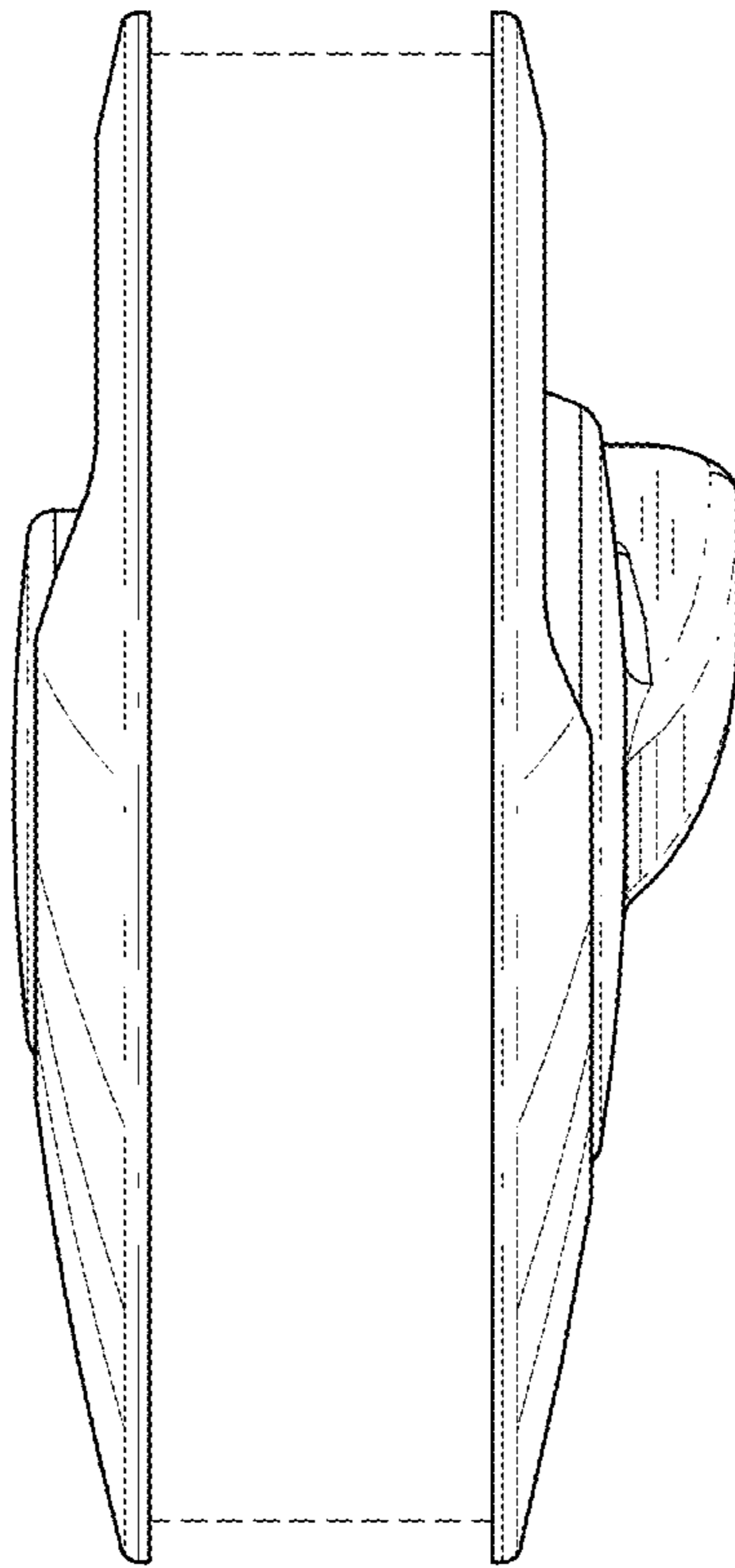


FIG. 4

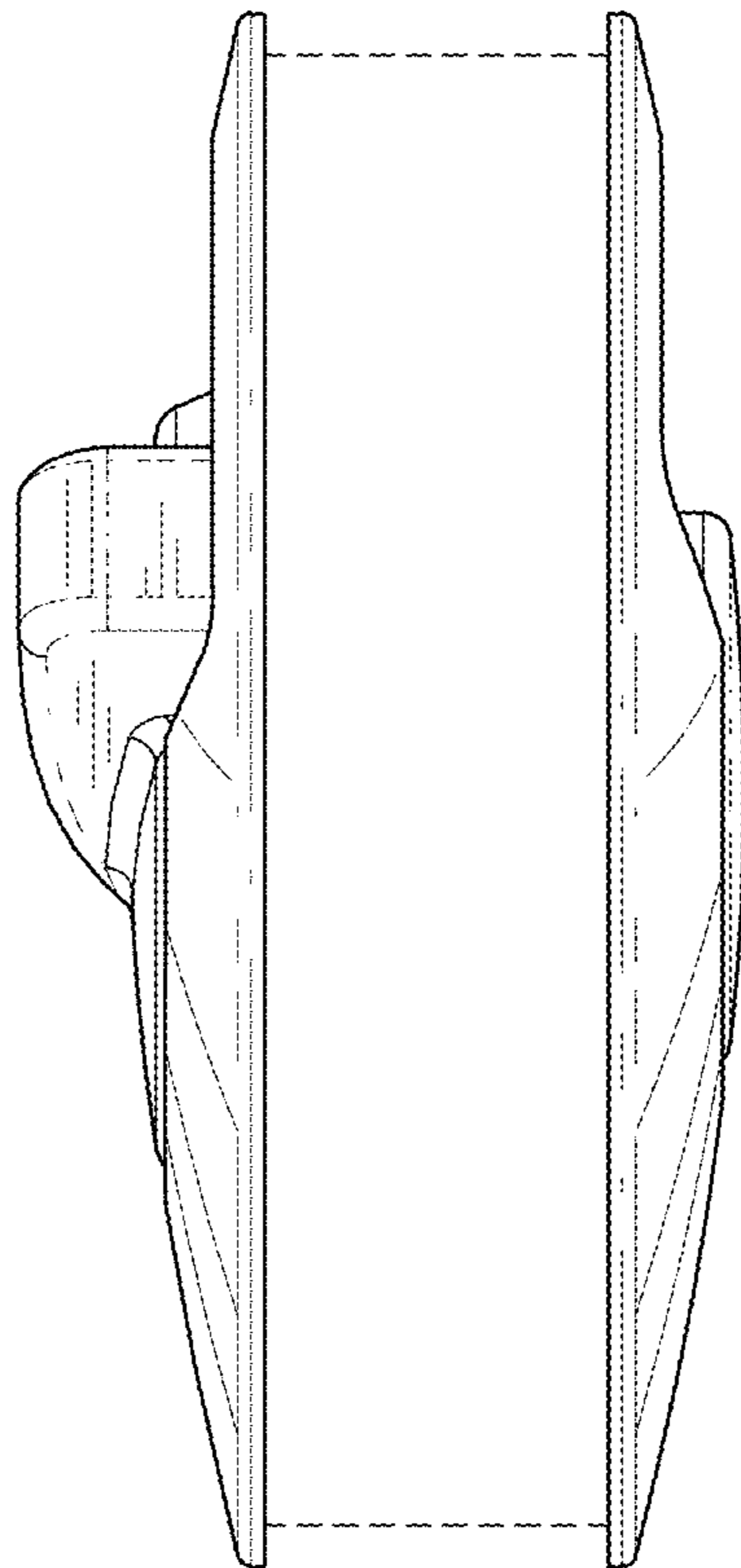


FIG. 5

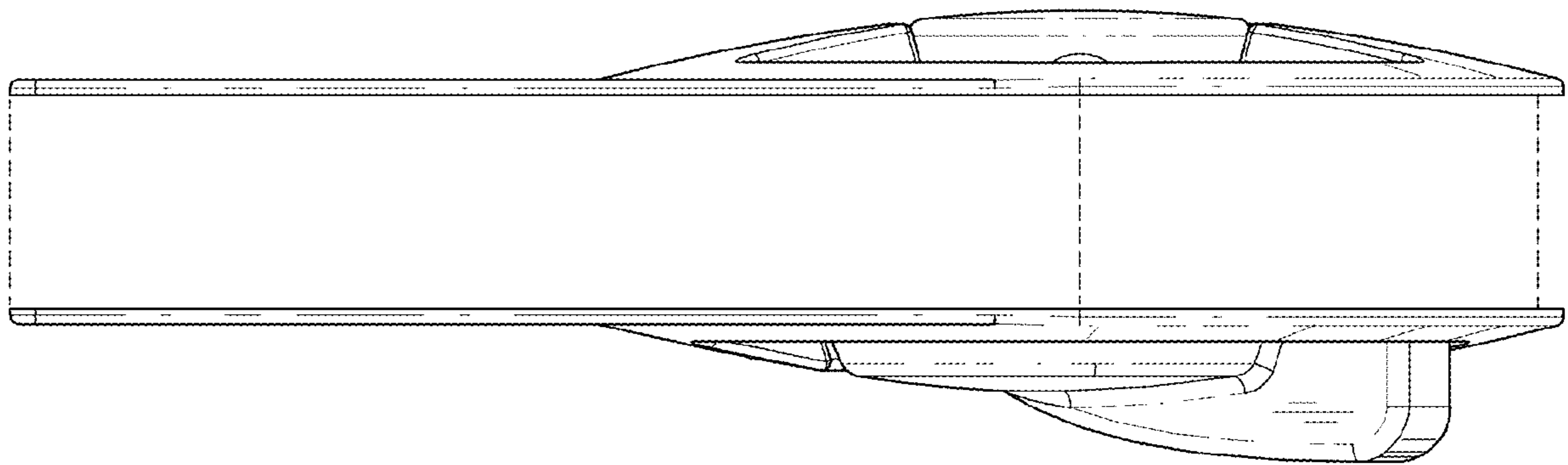


FIG. 6

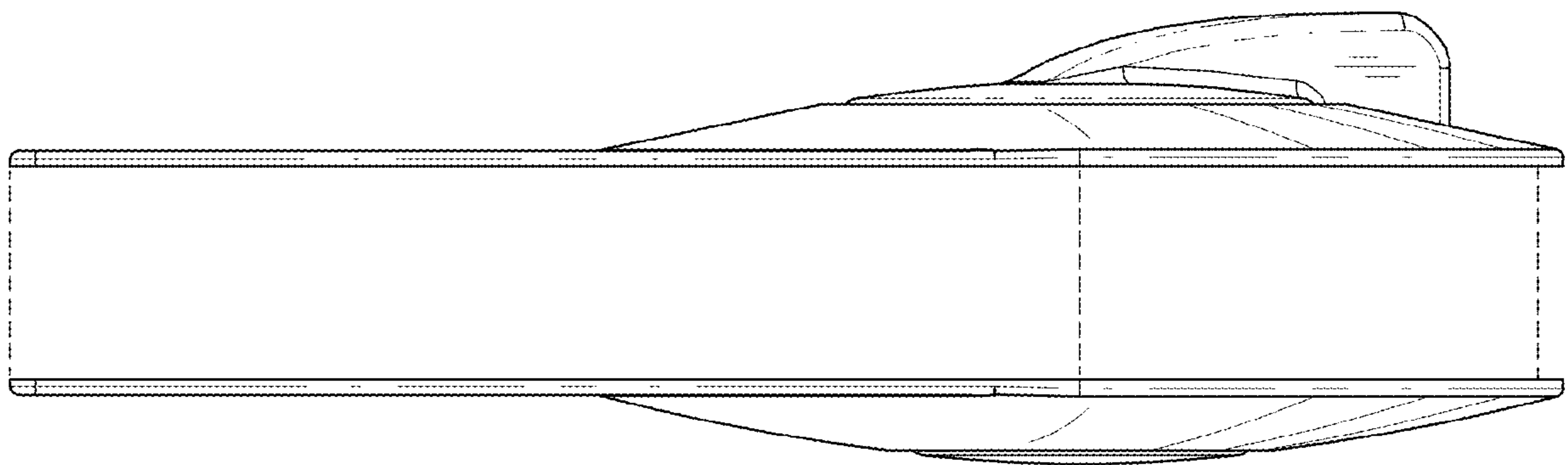


FIG. 7

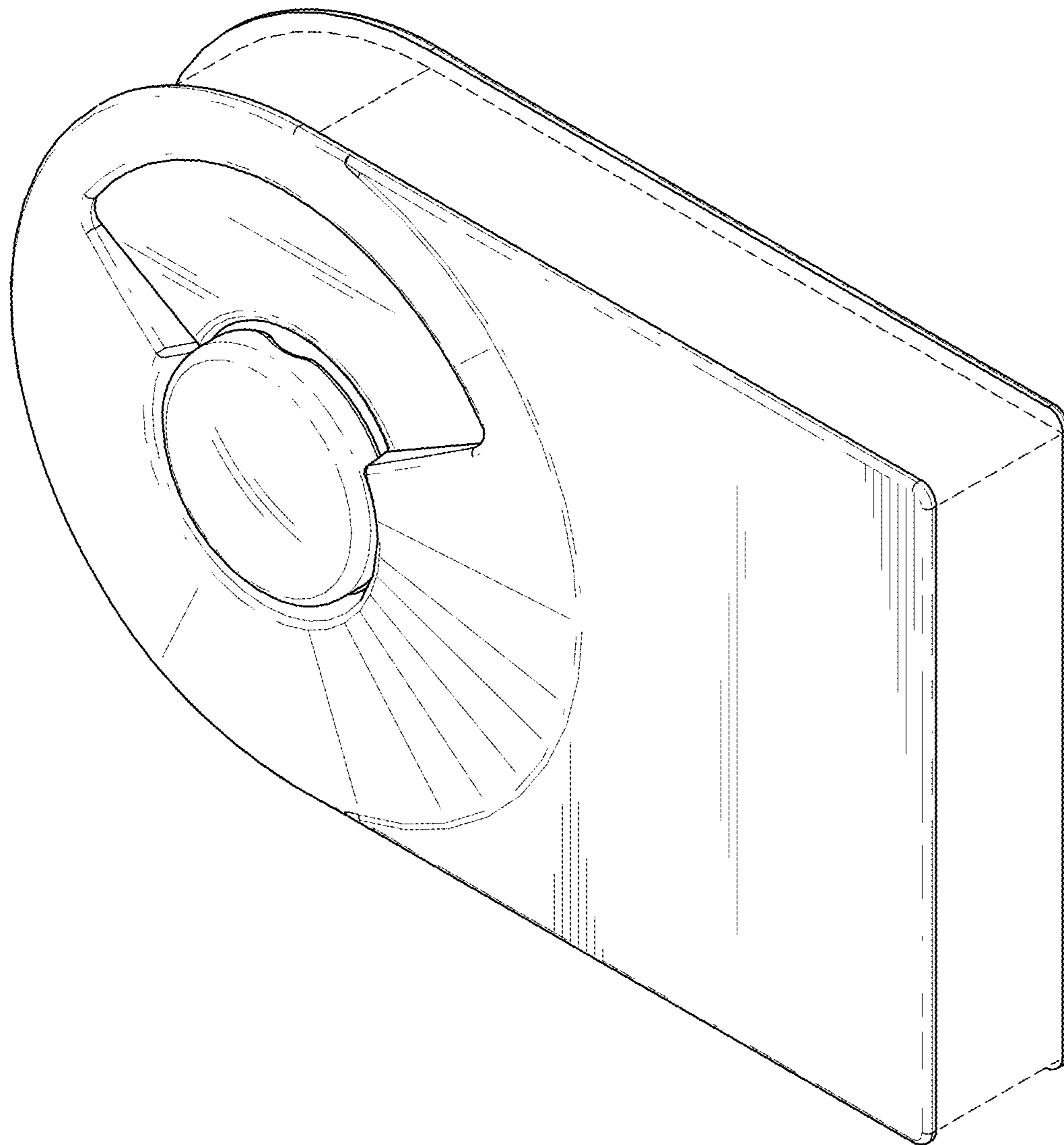


FIG. 8

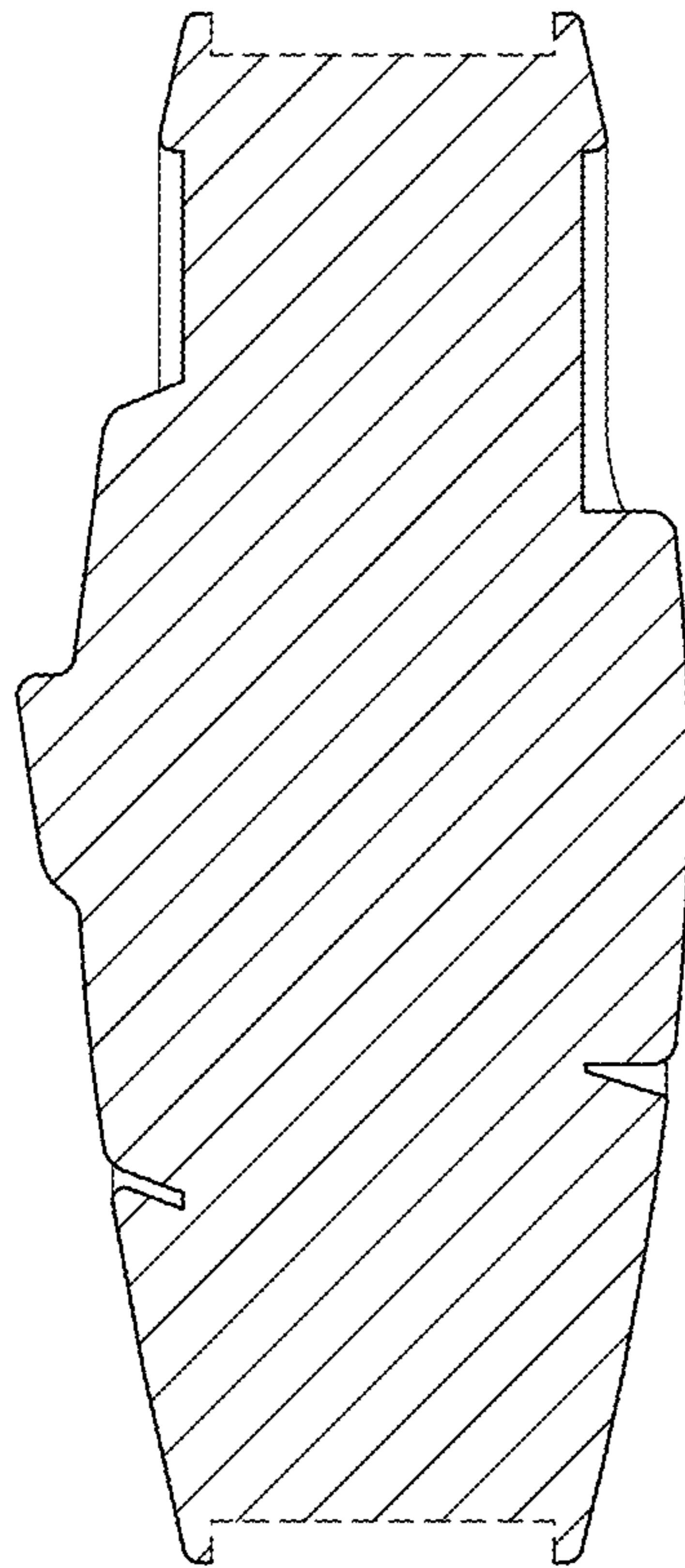


FIG. 9