



US00D930456S

(12) **United States Design Patent** (10) **Patent No.:** **US D930,456 S**
VanVolkinburg (45) **Date of Patent:** **** Sep. 14, 2021**

(54) **HINGE PIN**
(71) Applicant: **Clayton Dean VanVolkinburg**, Dorr, MI (US)
(72) Inventor: **Clayton Dean VanVolkinburg**, Dorr, MI (US)
(**) Term: **15 Years**
(21) Appl. No.: **29/748,068**
(22) Filed: **Aug. 27, 2020**
(51) **LOC (13) Cl.** **08-06**
(52) **U.S. Cl.**
USPC **D8/323**
(58) **Field of Classification Search**
USPC D8/323, 325, 327, 328, 336; 248/301, 248/302, 213; 24/132 R; D6/325; D12/223; 292/264; 16/250, 251
CPC F16M 13/02; F16B 23/00; E05D 11/1014
See application file for complete search history.

7,603,746 B1 10/2009 Von Resch et al.
D607,709 S * 1/2010 Mizon D8/328
7,676,887 B2 3/2010 Chung
D629,025 S * 12/2010 Greenleaf D15/128
D649,006 S * 11/2011 Johnson D8/323
D658,031 S 4/2012 Mitchell et al.
8,156,611 B2 4/2012 Machin et al.
8,191,205 B2 6/2012 Forrest
8,307,513 B1 11/2012 Fitzgerald
8,359,709 B2 1/2013 Van Gennep
8,701,247 B1 * 4/2014 Shargh E05D 11/02
16/274
8,739,366 B2 6/2014 Heninger
D710,181 S 8/2014 Christensen et al.

(Continued)

Primary Examiner — Cynthia R Underwood
(74) *Attorney, Agent, or Firm* — King & Partners, PLC

(57) **CLAIM**

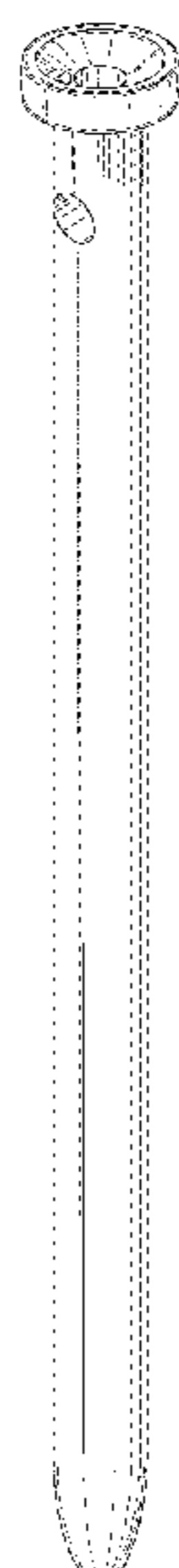
The ornamental design for a hinge pin, as shown and described.

DESCRIPTION

FIG. 1 is a perspective view of a hinge pin, showing my new design.
FIG. 2 is a front view of the hinge pin of FIG. 1.
FIG. 3 is a rear view of the hinge pin of FIG. 1.
FIG. 4 is a left side view of the hinge pin of FIG. 1.
FIG. 5 is a right side view of the hinge pin of FIG. 1.
FIG. 6 is a top view of the hinge pin of FIG. 1.
FIG. 7 is a bottom view of the hinge pin of FIG. 1.
FIG. 8 is a cross-sectional view of the hinge pin taken along line VIII of FIG. 2; and,
FIG. 9 is a perspective view of a hinge pin assembly utilizing the hinge pin of FIG. 1.
Any broken line portions of FIGS. 1-9 are included to show unclaimed subject matter only and form no part of the claimed design.

1 Claim, 4 Drawing Sheets

(56) **References Cited**
U.S. PATENT DOCUMENTS
1,030,801 A 6/1912 Berault
1,433,095 A * 10/1922 Peary E05D 11/02
16/274
3,621,512 A 11/1971 Johnson
3,991,436 A * 11/1976 Nagase E05D 3/02
16/273
4,720,198 A * 1/1988 DeBruyn E05D 3/10
16/273
D303,753 S * 10/1989 Friedman D8/328
D304,802 S * 11/1989 Yi D8/328
5,755,011 A 5/1998 Green et al.
5,765,263 A 6/1998 Bolinas et al.
D401,134 S 11/1998 Finkelstein
6,317,928 B1 11/2001 Guillemette
D551,940 S 10/2007 Whinery
7,290,310 B2 * 11/2007 Yamaguchi E05D 5/10
16/234
7,406,749 B2 8/2008 Herper



(56)

References Cited

U.S. PATENT DOCUMENTS

D714,614 S * 10/2014 Sarnowski D8/323
D715,127 S * 10/2014 Shargh D8/323
D716,644 S * 11/2014 Daniels D8/391
D726,525 S * 4/2015 Kenerly D8/328
9,068,382 B1 6/2015 Hall
D742,187 S * 11/2015 Thompson D8/1
D777,554 S * 1/2017 Elbaz D8/323
D790,317 S 6/2017 Christensen et al.
D808,244 S 1/2018 Fraijo
D816,460 S 1/2018 Branning
D829,530 S * 10/2018 Johnston D8/323
10,946,233 B1 * 3/2021 Neeley, Jr. E05D 11/00
2013/0104341 A1 5/2013 Kenerly et al.

* cited by examiner

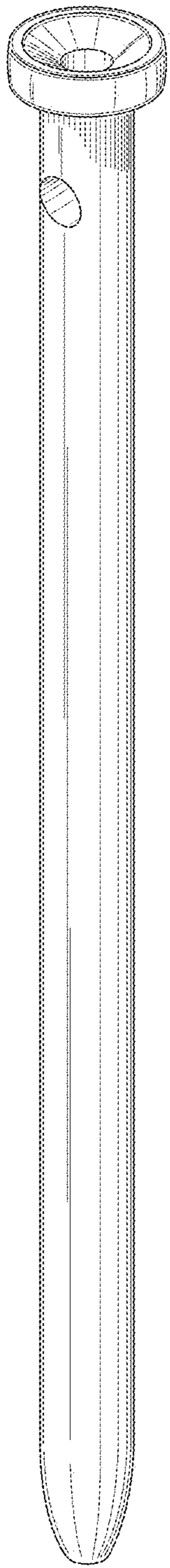


Fig. 1

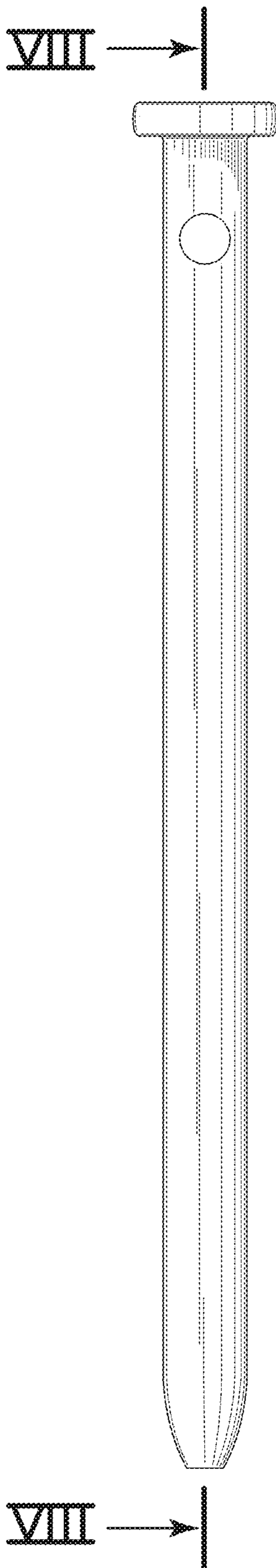


Fig. 2

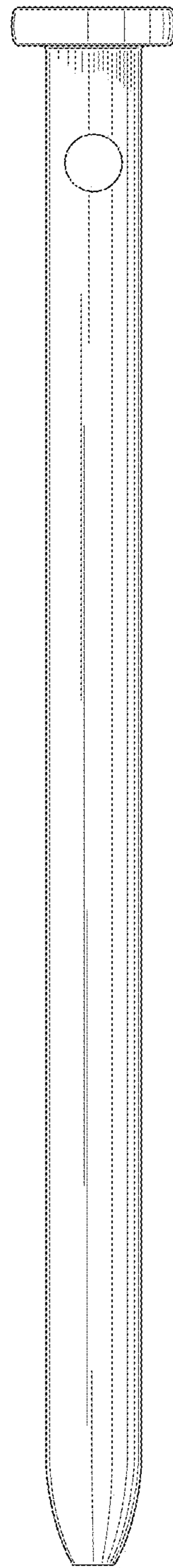


Fig. 3

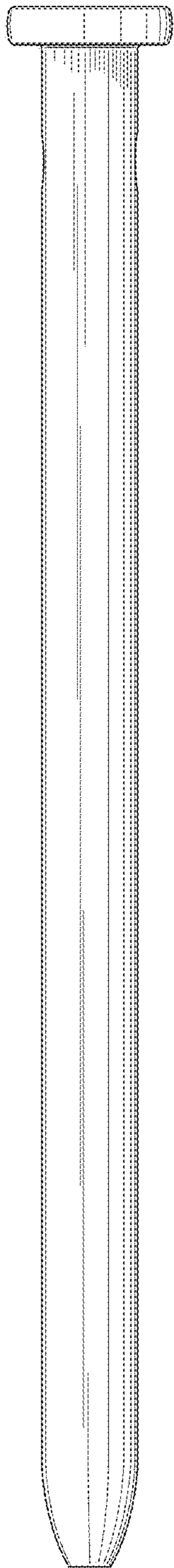


Fig. 4

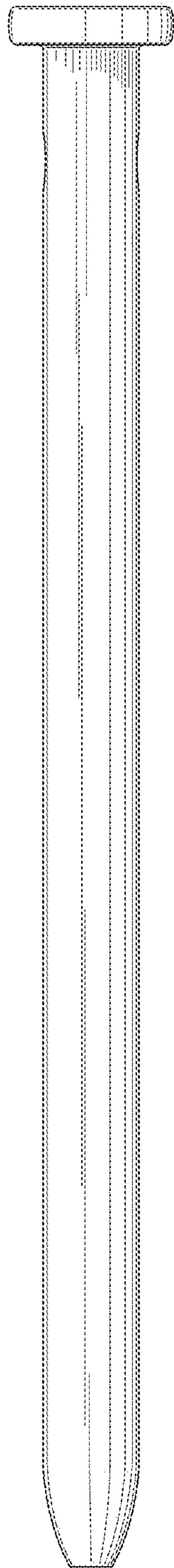


Fig. 5

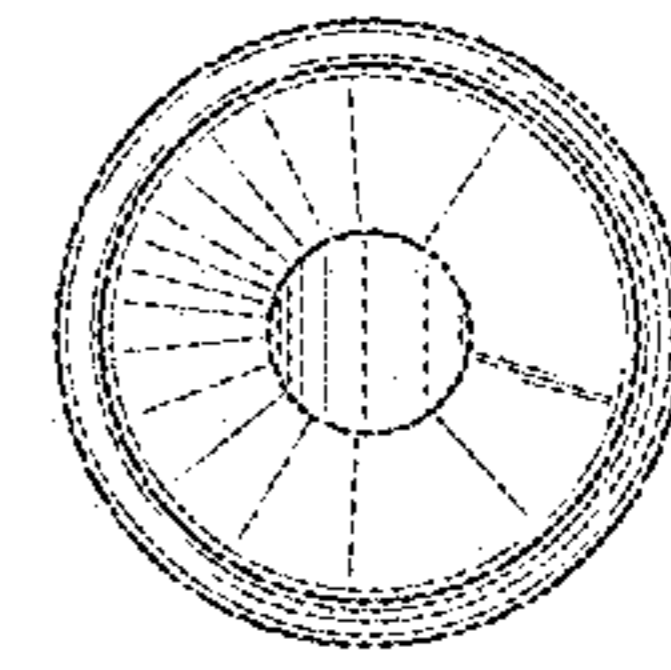


Fig. 6

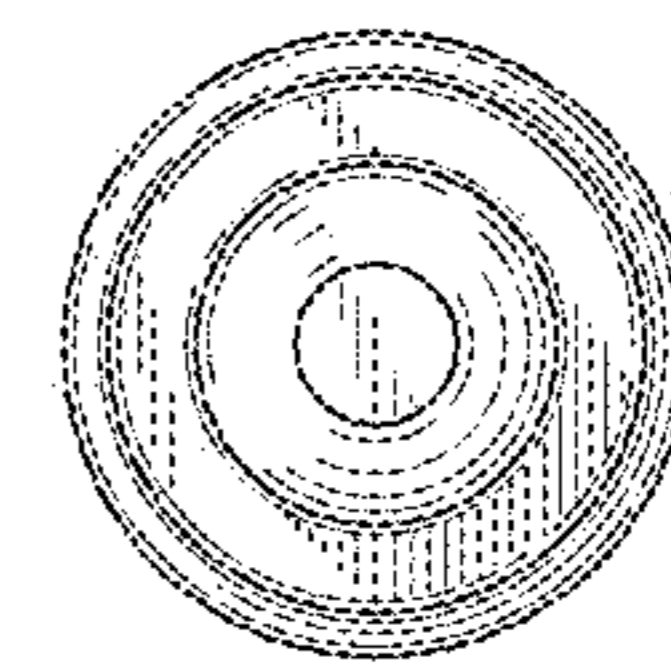


Fig. 7

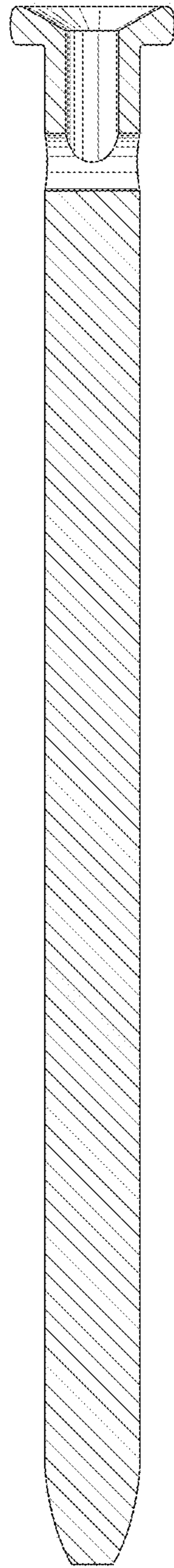


Fig. 8

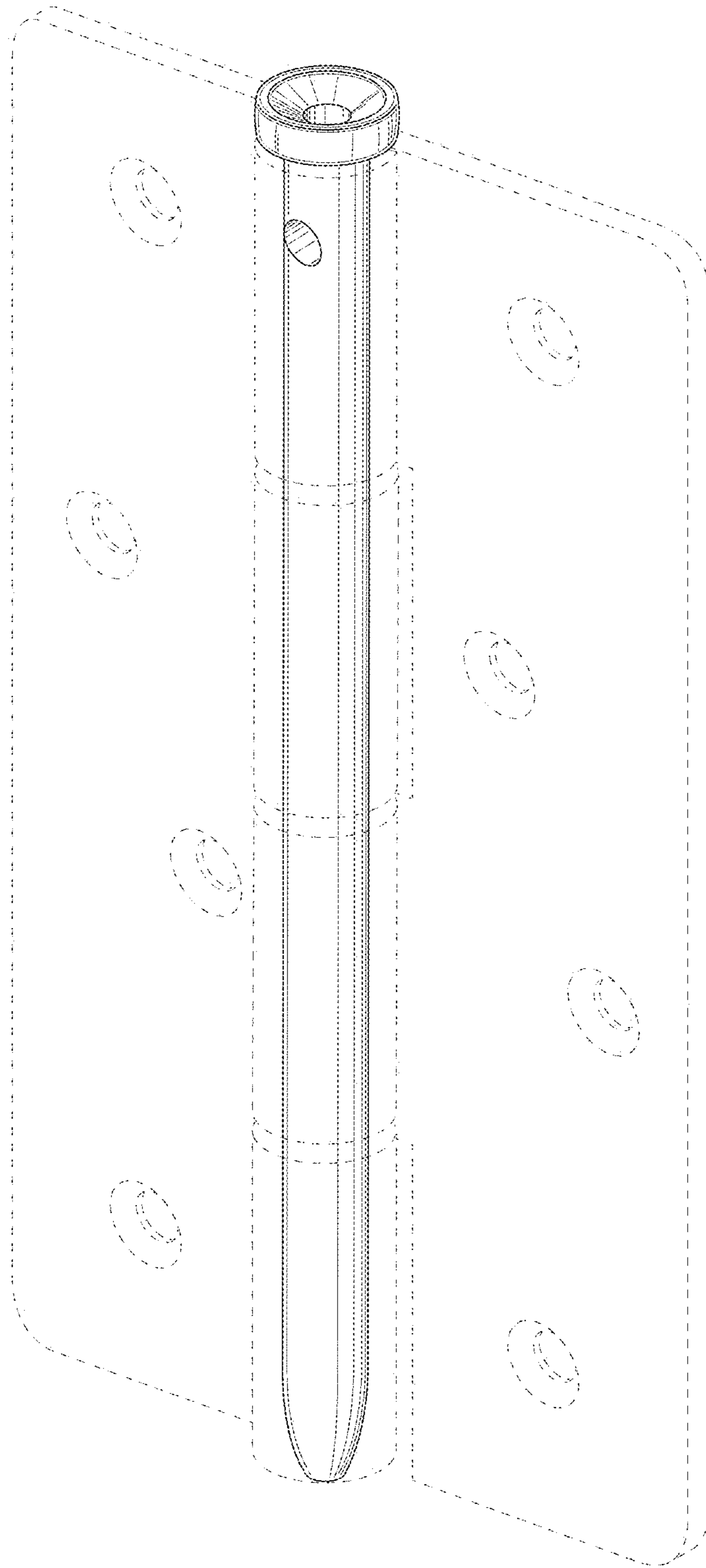


Fig. 9