

US00D930455S

(12) **United States Design Patent**
Hiura et al.

(10) **Patent No.:** **US D930,455 S**

(45) **Date of Patent:** **** Sep. 14, 2021**

(54) **DUAL HOLES FOR A TRIGGER TO ATTACH A PADLOCK**

8,997,536 B2 * 4/2015 Fuller E05B 13/002
70/177

10,214,942 B2 * 2/2019 Lai E05B 67/383

10,392,830 B2 * 8/2019 Helsley E05B 27/0032

(71) Applicant: **S.P.E.P. ACQUISITION CORP.**, Long Beach, CA (US)

* cited by examiner

(72) Inventors: **Kevin Hiura**, Cypress, CA (US); **Tam Le**, Garden Grove, CA (US)

Primary Examiner — Doris Clark

(74) *Attorney, Agent, or Firm* — Karish & Bjorgum, PC

(73) Assignee: **S.P.E.P. ACQUISITION CORP.**, Long Beach, CA (US)

(57) **CLAIM**

(**) Term: **15 Years**

The ornamental design for dual holes for a trigger to attach a padlock, as shown and described.

(21) Appl. No.: **29/709,056**

DESCRIPTION

(22) Filed: **Oct. 10, 2019**

(51) **LOC (13) Cl.** **08-06**

(52) **U.S. Cl.**

USPC **D8/321**

(58) **Field of Classification Search**

USPC D8/321, 302

CPC E05B 2009/006; E05B 2009/008; E05B

17/2003; E05B 17/142; E05B 17/14;

E05B 13/002; E05B 13/00; E05B 13/007;

E05B 13/10

See application file for complete search history.

FIG. 1 is right side perspective view of a dual holes for a trigger to attach a padlock of our new design.

FIG. 2 is a detailed view of the circled area "2" of the dual holes for a trigger to attach a padlock of FIG. 1.

FIG. 3 is a right side view of the trigger with dual holes for padlock of FIG. 1, with the left side view being a mirror image of FIG. 3.

FIG. 4 is a detailed view of the circled area "4" of the dual holes for a trigger to attach a padlock of FIG. 3, with the left side detailed view being a mirror image of FIG. 4; and,

FIG. 5 is a cross-sectional view of the dual holes for a trigger to attach a padlock of FIG. 1 through view lines 5-5 of FIG. 4.

The features shown in dashed lines form no part of the design and are not claimed.

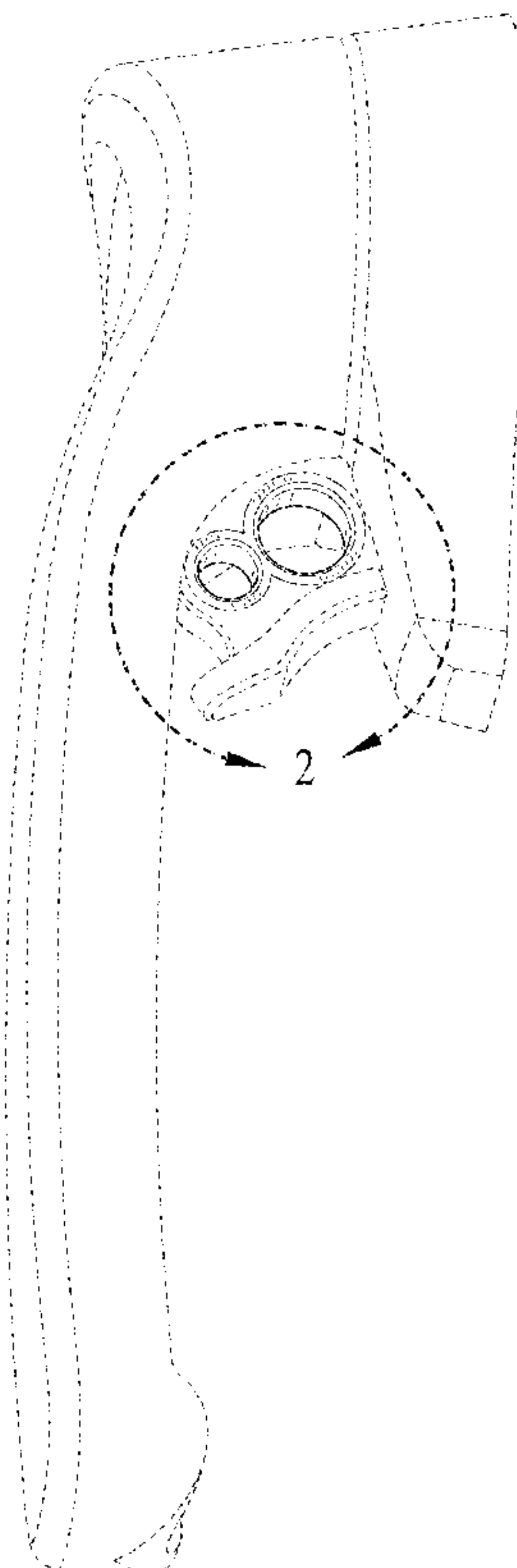
(56) **References Cited**

U.S. PATENT DOCUMENTS

D585,264 S * 1/2009 Stuckey D8/320

D657,655 S * 4/2012 Stuckey D8/321

1 Claim, 3 Drawing Sheets



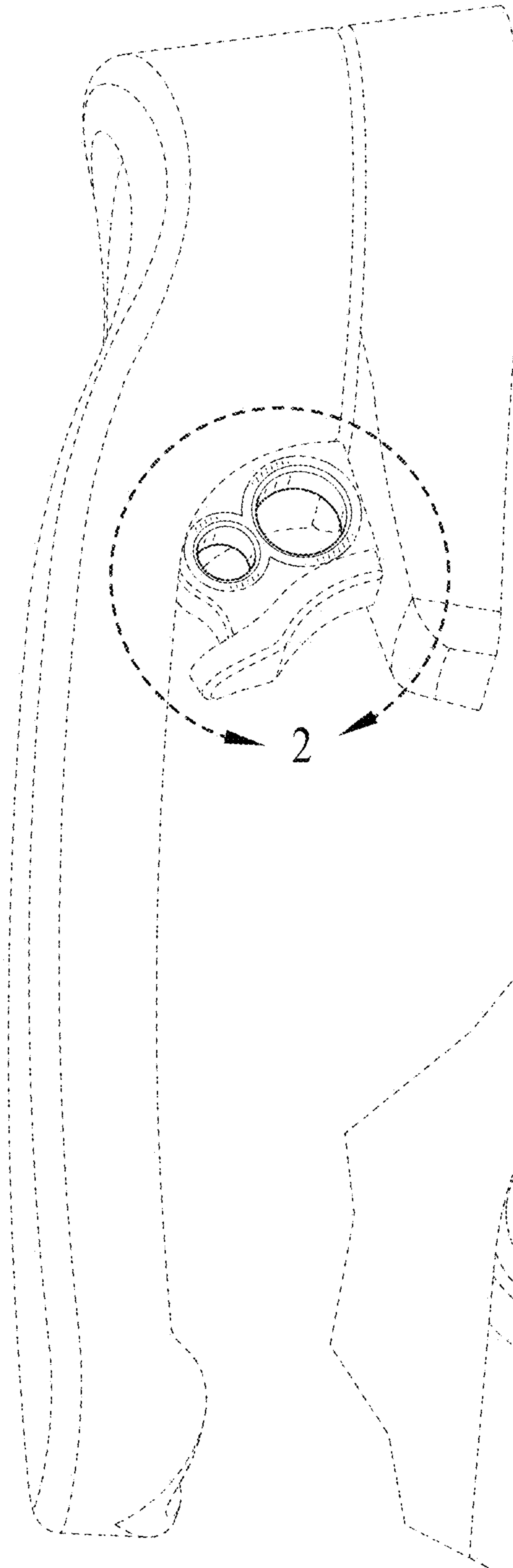


FIG. 1

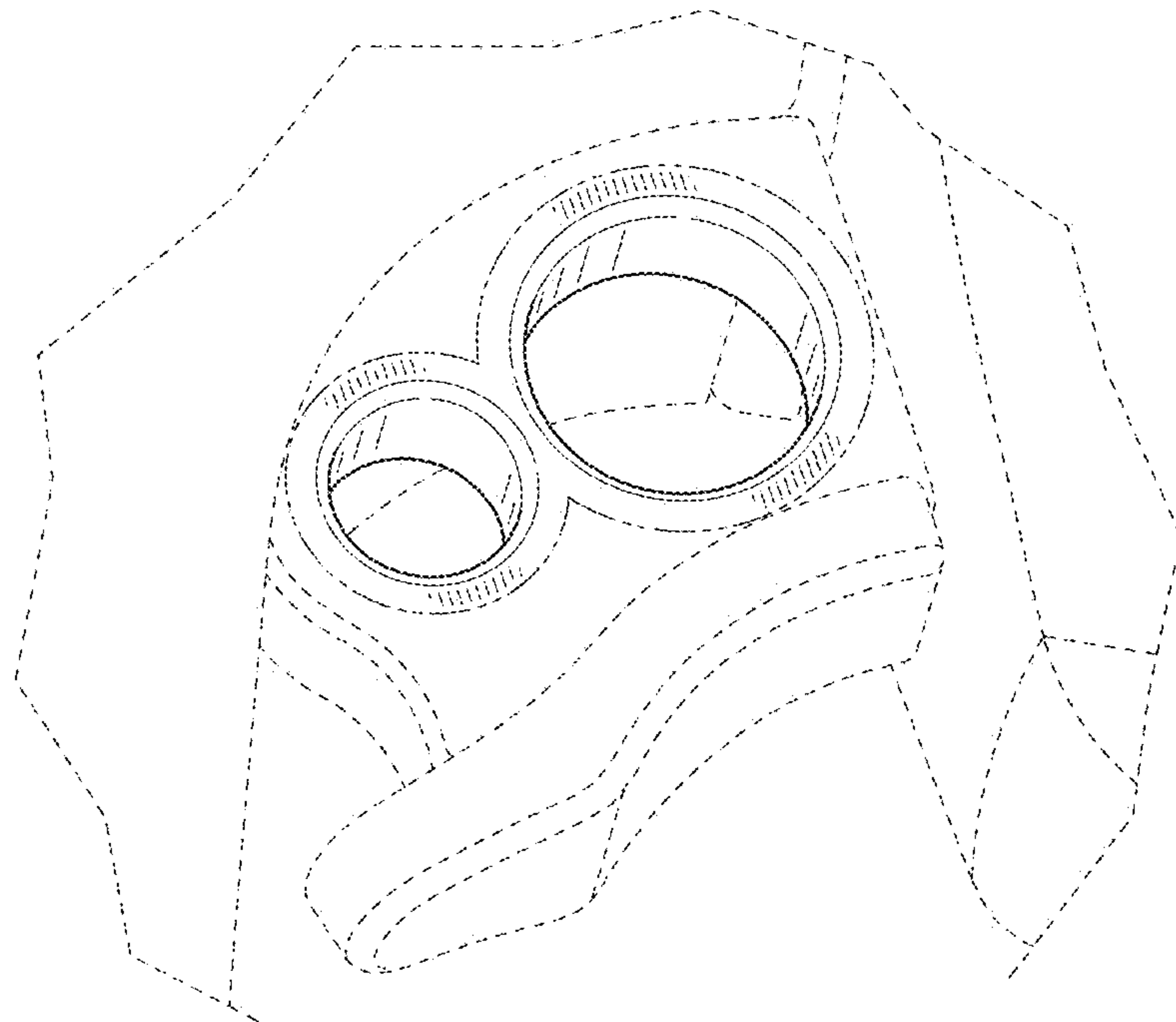


FIG. 2

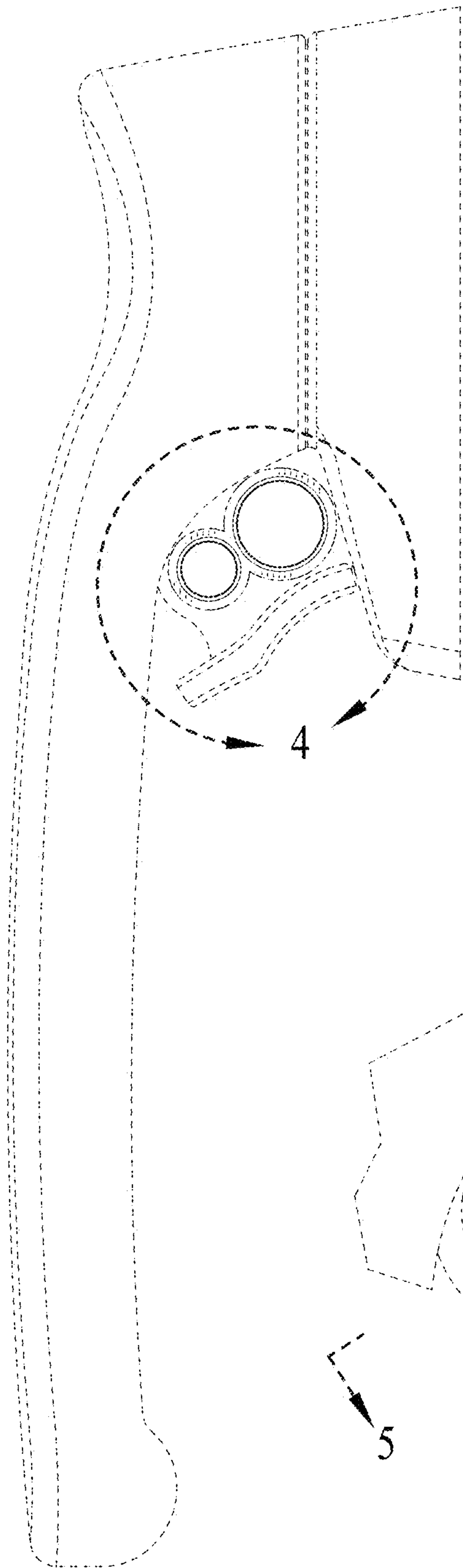


FIG. 3

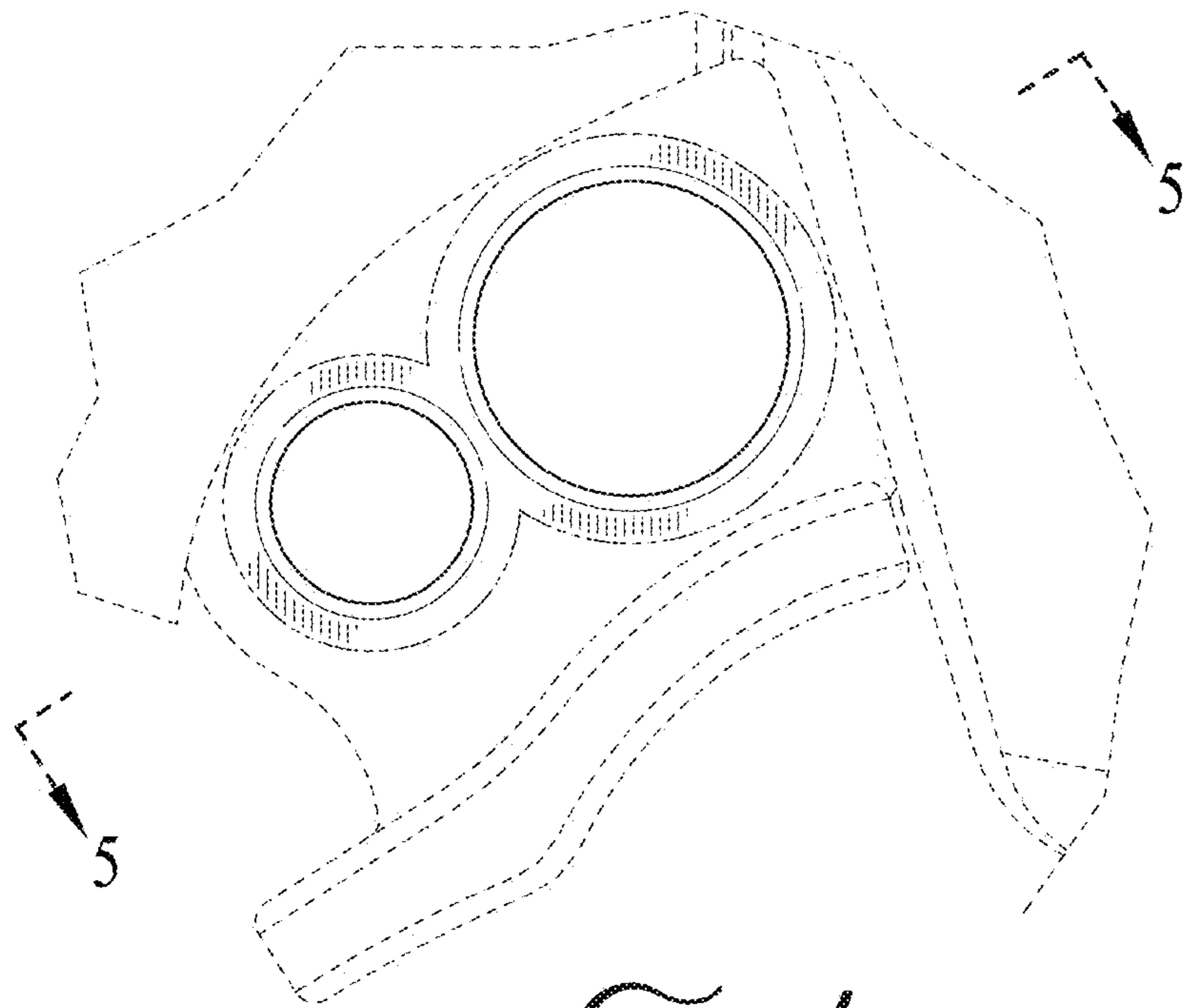


FIG. 4

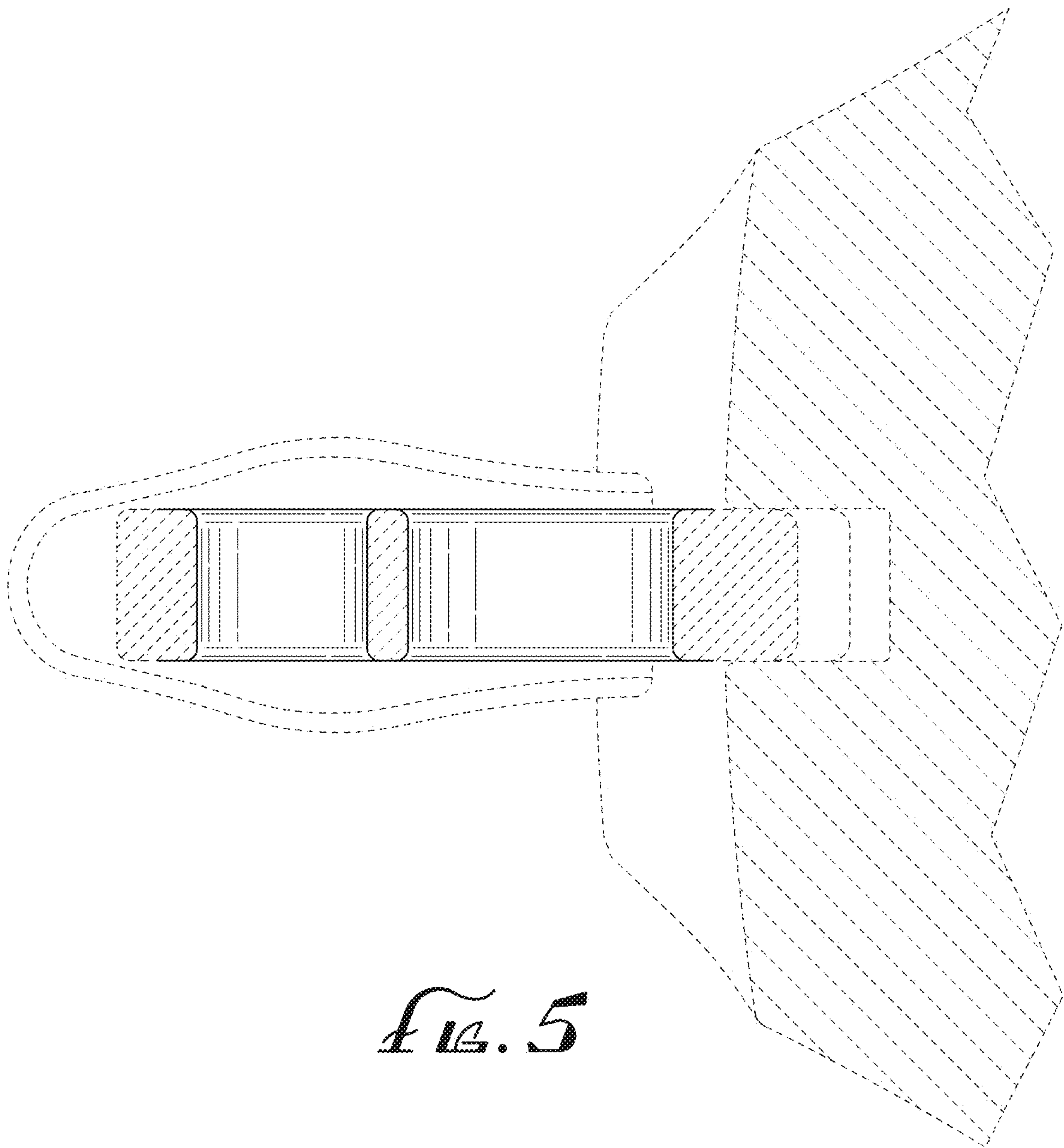


FIG. 5