

US00D930454S

(12) **United States Design Patent**
Viens

(10) **Patent No.:** **US D930,454 S**
(45) **Date of Patent:** **** Sep. 14, 2021**

(54) **MULTI-PURPOSE TOOL**

(71) Applicant: **Boat Gadget LLC**, Port Orange, FL
(US)

(72) Inventor: **Timothy Viens**, Port Orange, FL (US)

(73) Assignee: **Boat Gadget, LLC**, Port Orange, FL
(US)

(**) Term: **15 Years**

(21) Appl. No.: **29/698,134**

(22) Filed: **Jul. 15, 2019**

(51) **LOC (13) Cl.** **08-05**

(52) **U.S. Cl.**
USPC **D8/105; D8/26**

(58) **Field of Classification Search**
USPC D8/105, 38, 55, 14-19, 21, 53, 100, 103,
D8/26, 34, 87, 99, 356, 28; D3/210
CPC .. B25B 15/008; B25F 1/00; B25F 1/02; B25F
1/04; F16B 45/02; B67B 7/44; B65B
69/0025

See application file for complete search history.

(56) **References Cited**

U.S. PATENT DOCUMENTS

3,629,883	A *	12/1971	Norman	B65B 69/0025
					7/170
4,329,892	A *	5/1982	Daigle	B25B 13/481
					81/55
D284,637	S *	7/1986	Erickson	D8/14
D335,616	S *	5/1993	Schafer	D8/107
D369,286	S *	4/1996	Tackman	D8/21
D382,180	S *	8/1997	Chuang	D8/105
D399,107	S *	10/1998	Murray	D8/31
D413,781	S *	9/1999	Wong	D8/81
D422,145	S *	4/2000	Hsu	D21/795

D473,435	S *	4/2003	Stahl	D8/21
D596,471	S *	7/2009	Huang	D8/21
D613,139	S *	4/2010	Lai	D8/21
D639,131	S *	6/2011	Winsor	D8/105
D661,561	S *	6/2012	Stinson	D8/29
D669,331	S *	10/2012	Burdyslaw	D8/105
D687,690	S *	8/2013	Chen	D8/26
D711,708	S *	8/2014	Larson	D8/21
D719,005	S *	12/2014	Goddard	D8/105
D731,284	S *	6/2015	Goddard	D8/105
D758,813	S *	6/2016	Christopher	D8/21
D770,261	S *	11/2016	Gehrunge	D8/105
D811,192	S *	2/2018	Gehrunge	D8/105

* cited by examiner

Primary Examiner — Janice Hallmark

(74) *Attorney, Agent, or Firm* — Allen, Dyer, Doppelt & Gilchrist, P.A.

(57) **CLAIM**

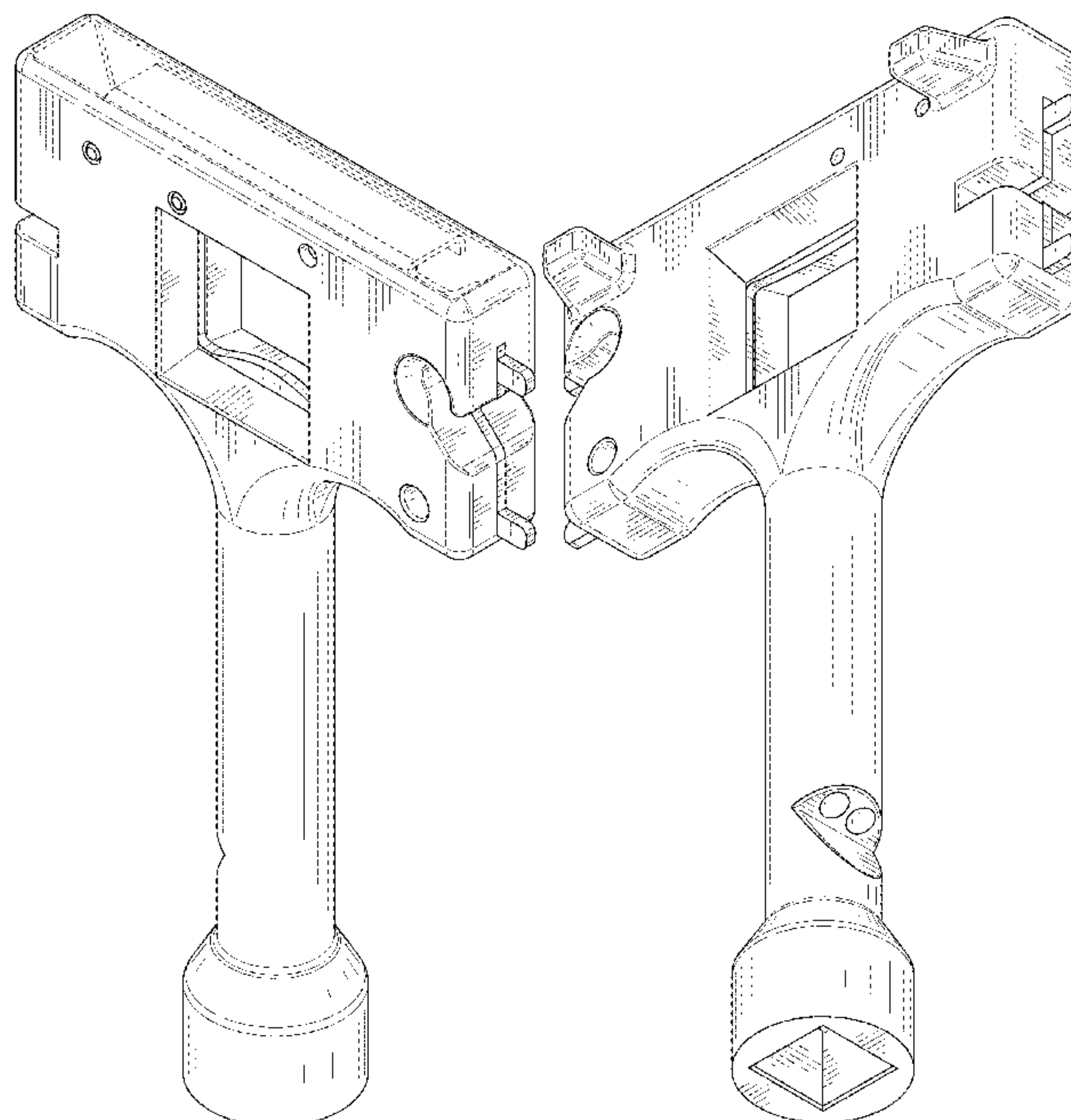
The ornamental design for a multi-purpose tool, as shown and described.

DESCRIPTION

FIG. 1 is a front, left, top perspective view of a multi-purpose tool;
FIG. 2 is a rear, right, bottom perspective view thereof;
FIG. 3 is a front view thereof;
FIG. 4 is a rear view thereof;
FIG. 5 is a left side thereof;
FIG. 6 is a right side view thereof;
FIG. 7 is a top view thereof;
FIG. 8 is a bottom view thereof; and,
FIG. 9 is a sectional view thereof taken along line 9-9 of FIG. 3.

The broken lines illustrate portions of the multi-purpose tool that form no part of the claimed design.

1 Claim, 7 Drawing Sheets



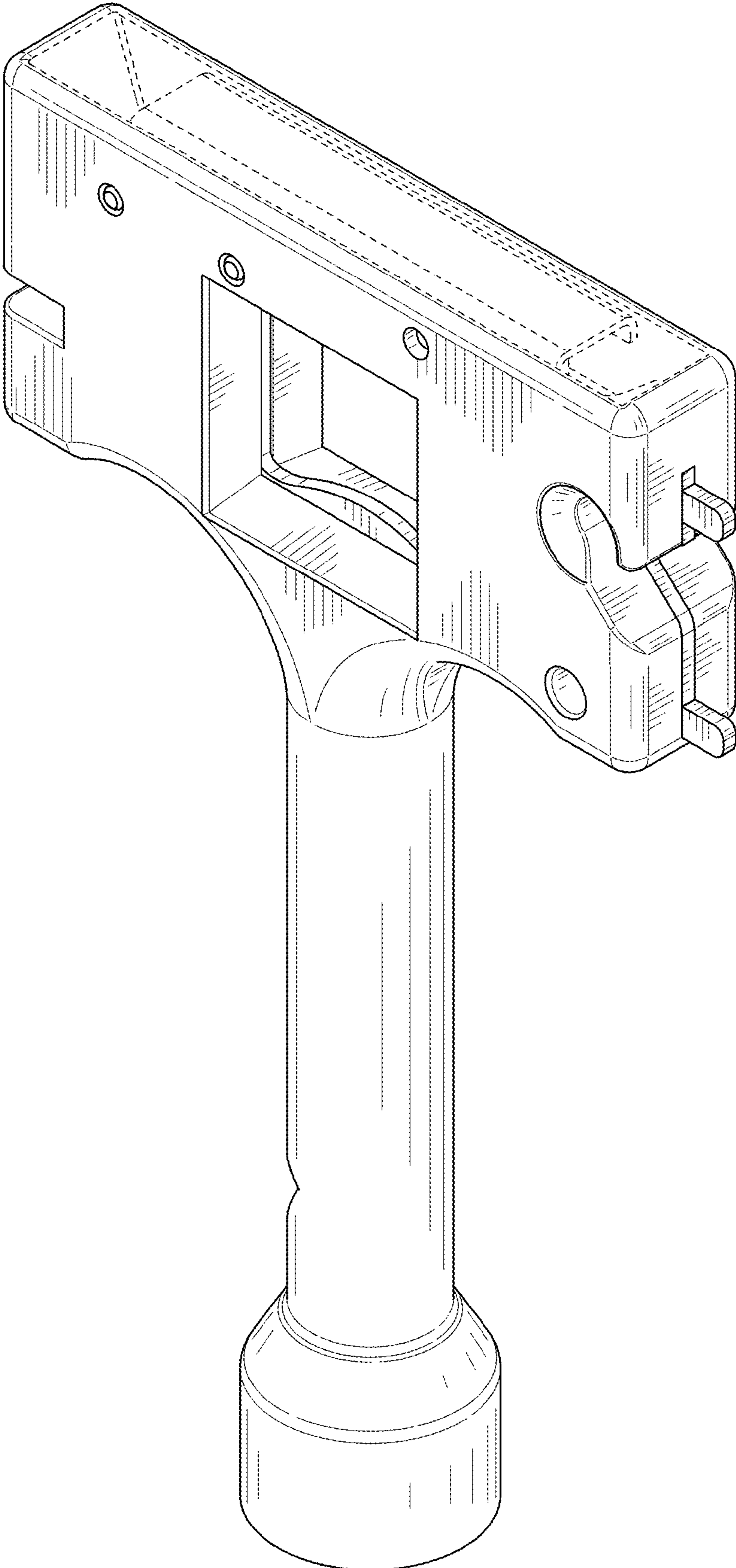


FIG. 1

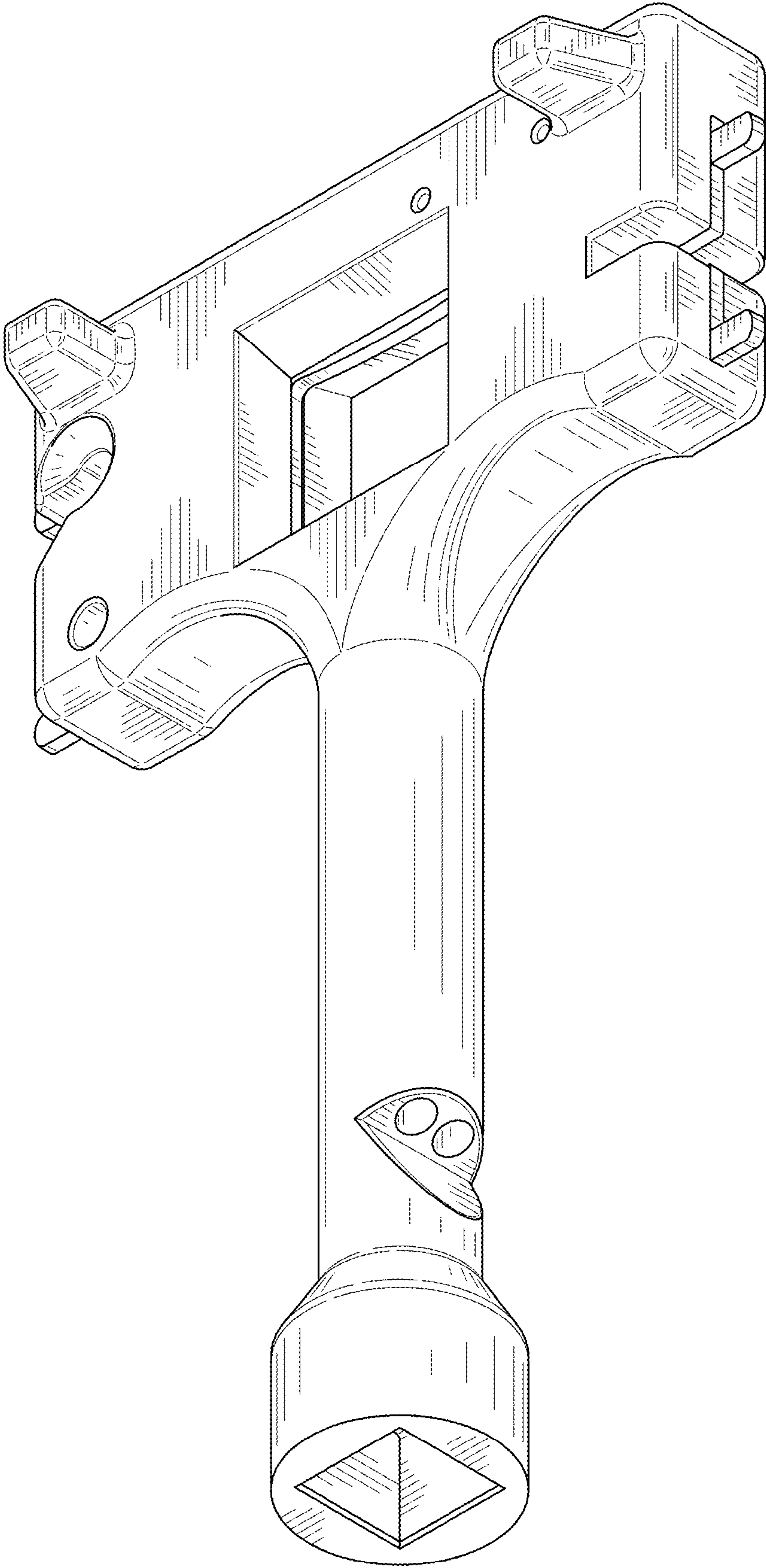


FIG. 2

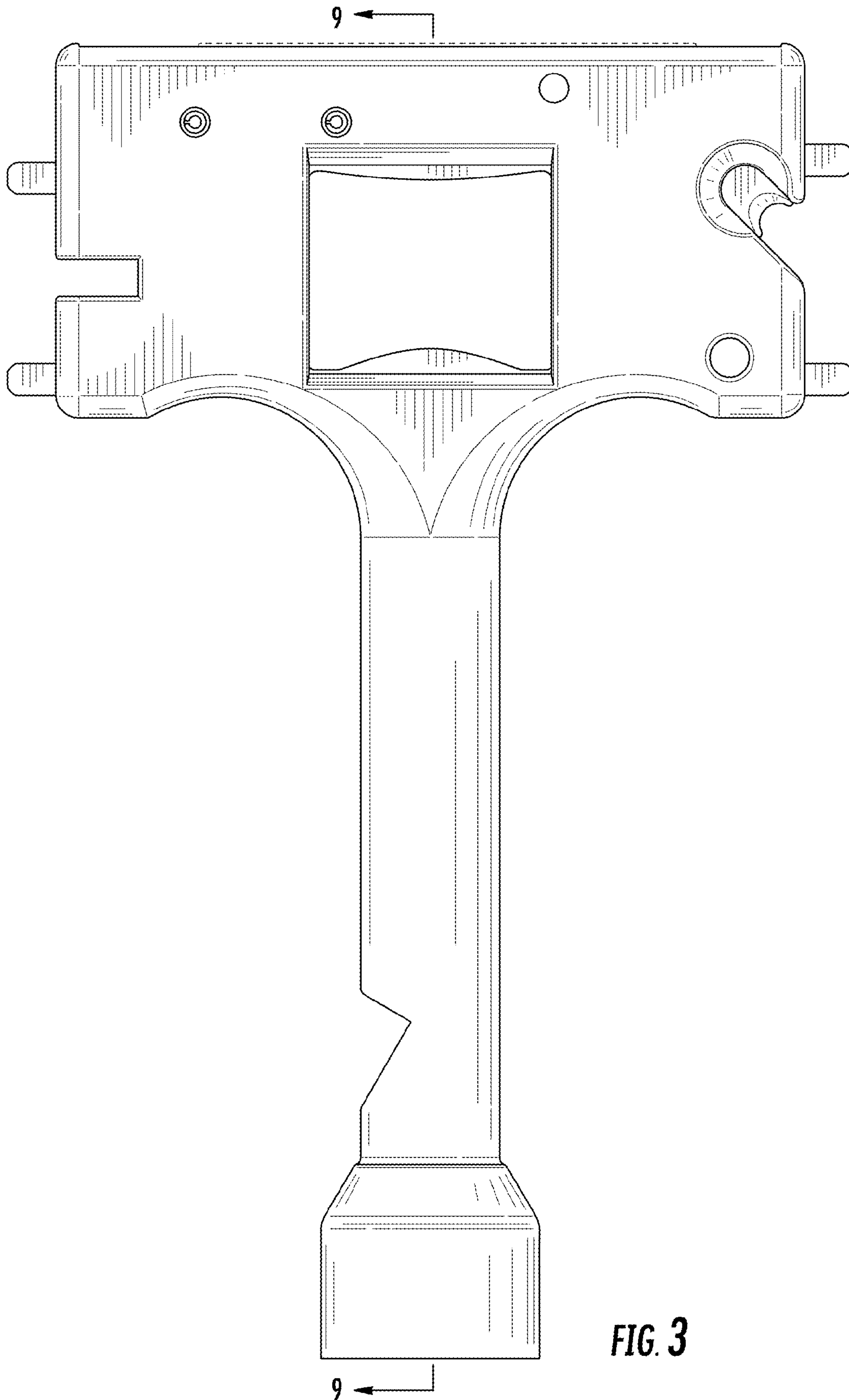


FIG. 3

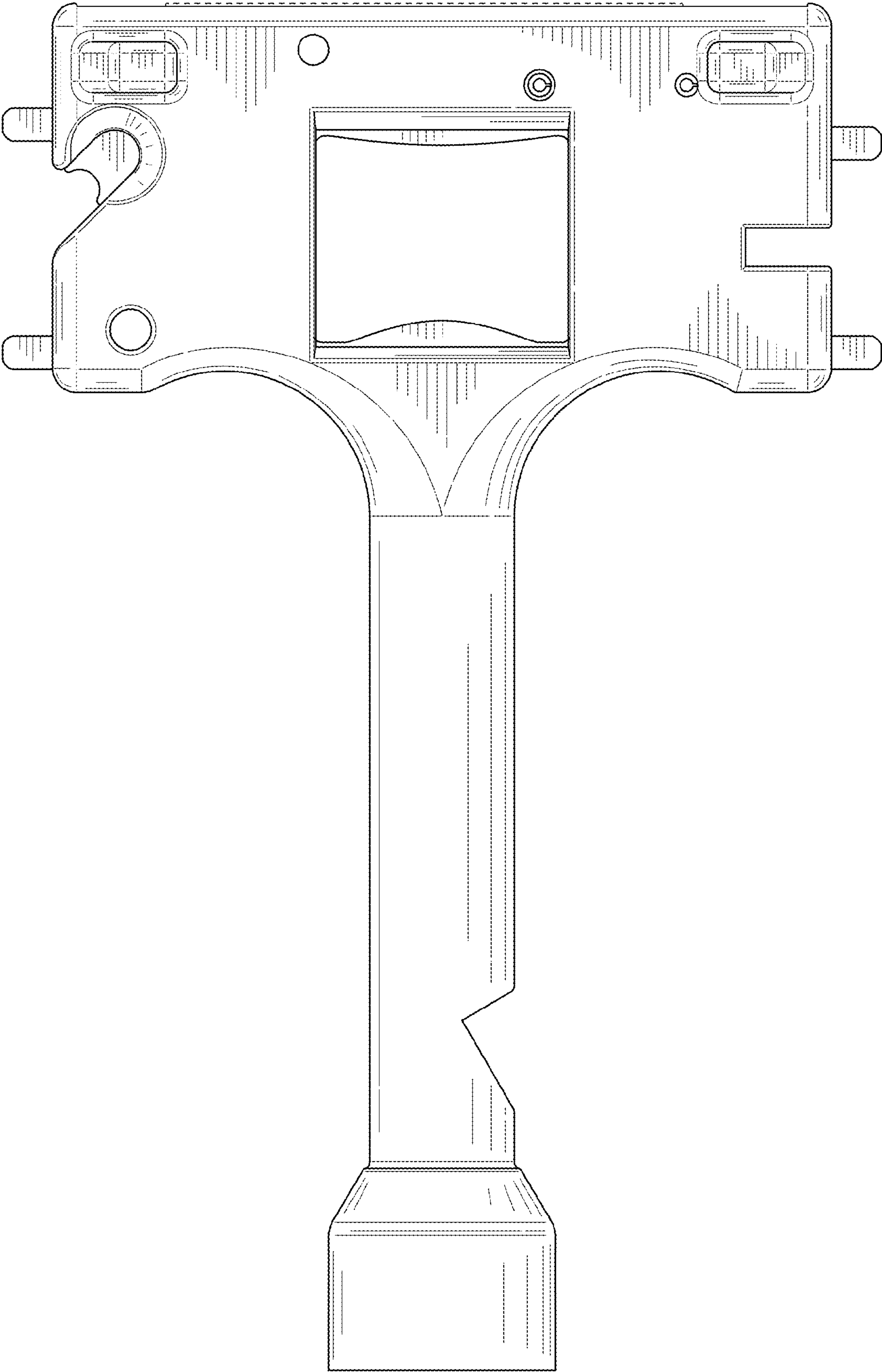


FIG. 4

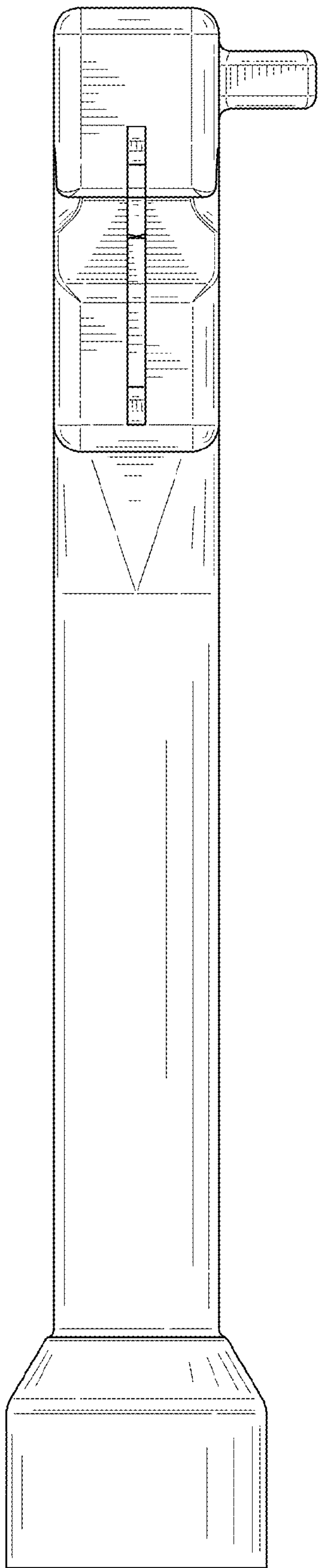


FIG. 5

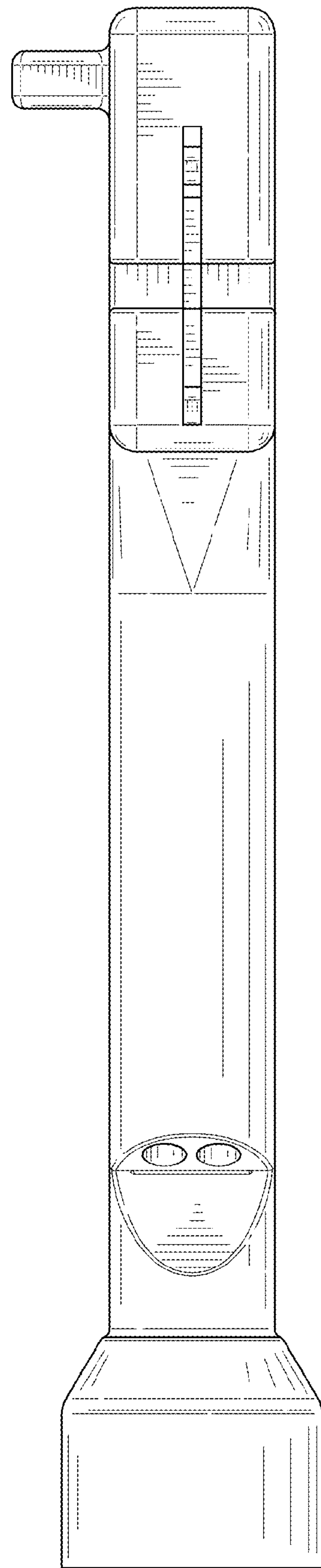


FIG. 6

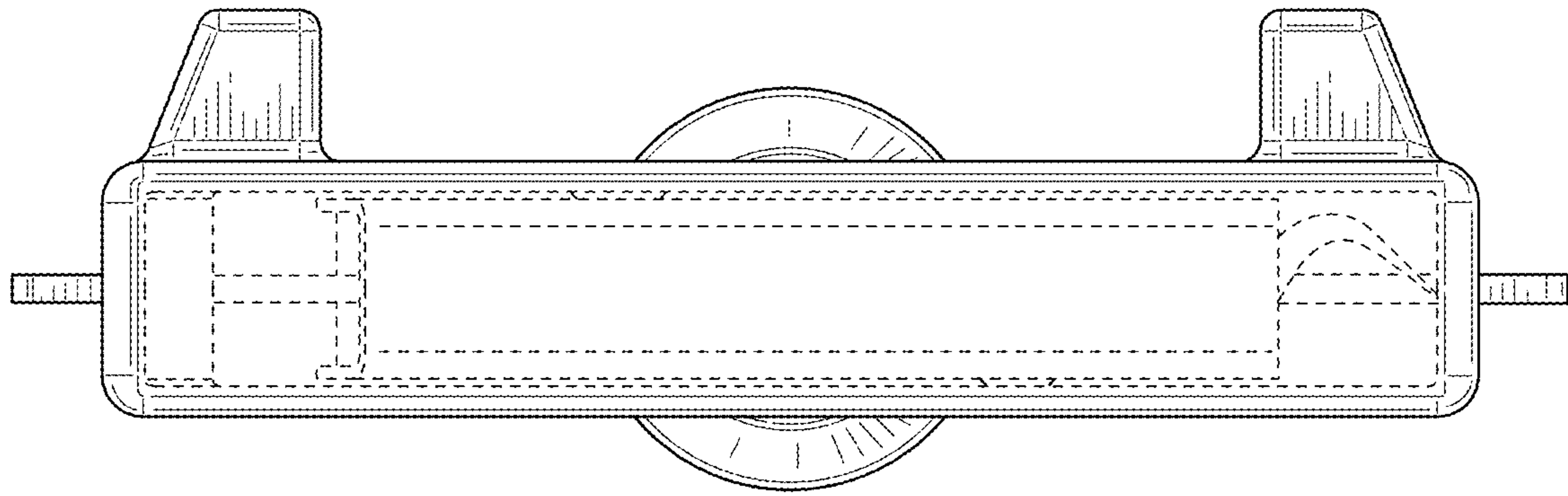


FIG. 7

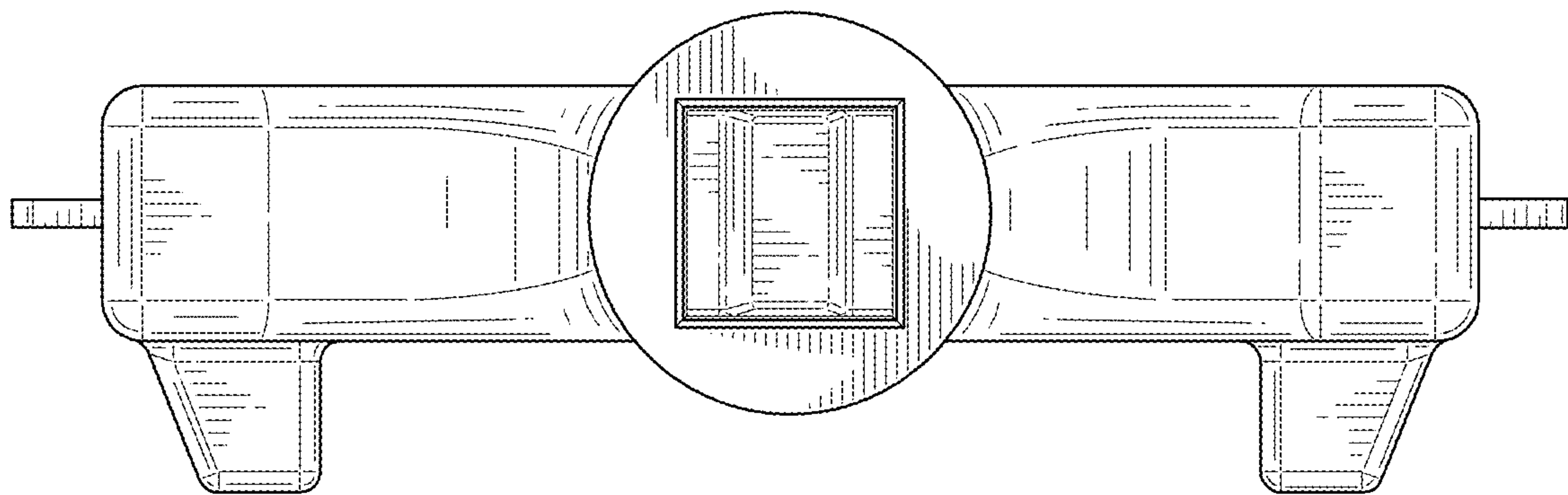


FIG. 8

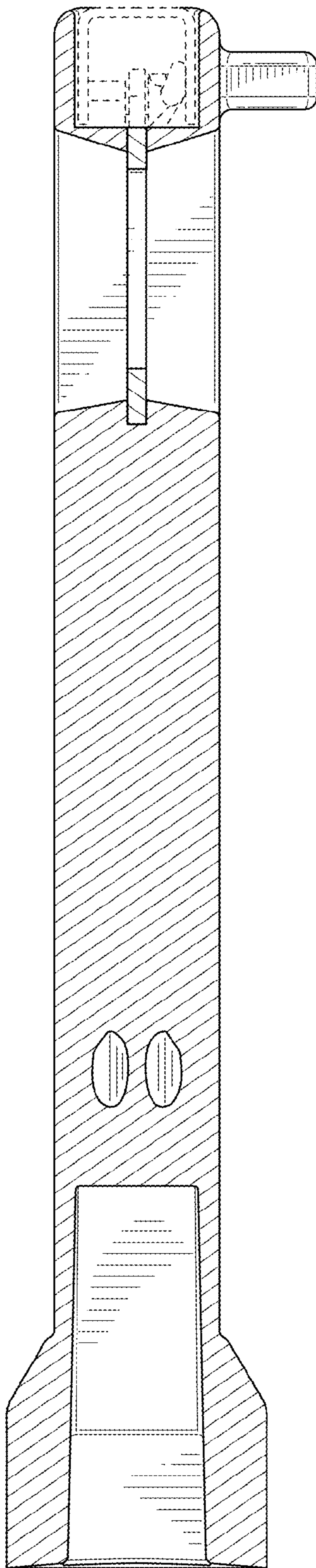


FIG. 9