



US00D930451S

(12) **United States Design Patent** (10) **Patent No.:** **US D930,451 S**
Wollenburg (45) **Date of Patent:** **** Sep. 14, 2021**

(54) **APPARATUS FOR FLATTENING WIDE BOARDS**

(71) Applicant: **Woodpeckers, LLC**, Strongsville, OH (US)

(72) Inventor: **Benjamin T. Wollenburg**, North Olmsted, OH (US)

(73) Assignee: **WOODPECKERS, LLC**, Strongsville, OH (US)

(**) Term: **15 Years**

(21) Appl. No.: **29/699,256**

(22) Filed: **Jul. 24, 2019**

(51) **LOC (13) Cl.** **08-05**

(52) **U.S. Cl.**
USPC **D8/72; D15/140**

(58) **Field of Classification Search**
USPC D8/14, 51, 52, 70, 72; D15/133, 134, D15/140, 141, 38, 127; D25/62, 66, 67, D25/68, 119, 120, 121, 123, 125
CPC ... B25H 1/06; B25H 1/16; B25H 1/04; B25H 1/14; B25H 1/08; B25H 1/00; B25H 1/0042; B25H 1/005
See application file for complete search history.

(56) **References Cited**

U.S. PATENT DOCUMENTS

3,706,169	A *	12/1972	Rensch	E04B 2/7453	52/263
3,989,399	A *	11/1976	Slowbe	E04B 9/127	403/245
4,035,977	A *	7/1977	Fischer	A63H 33/082	52/653.1
D269,910	S	7/1983	Johansson			
D275,324	S	8/1984	Wahlin			
D310,376	S	9/1990	Johnsen			

D321,914	S	11/1991	Tam		
D322,133	S *	12/1991	Comeau	D25/67
D327,332	S	6/1992	Clark		
D344,347	S *	2/1994	Wittman	D25/67
D344,356	S	2/1994	Clark		
D348,939	S	7/1994	Larsson et al.		
D355,825	S *	2/1995	Moyer	D8/52
5,392,583	A *	2/1995	Gregory	E04D 3/365
					52/408
D418,231	S	12/1999	DiGiorgio		

(Continued)

Primary Examiner — Darlington Ly

(74) *Attorney, Agent, or Firm* — Sand, Sebolt & Wernow Co., LPA

(57) **CLAIM**

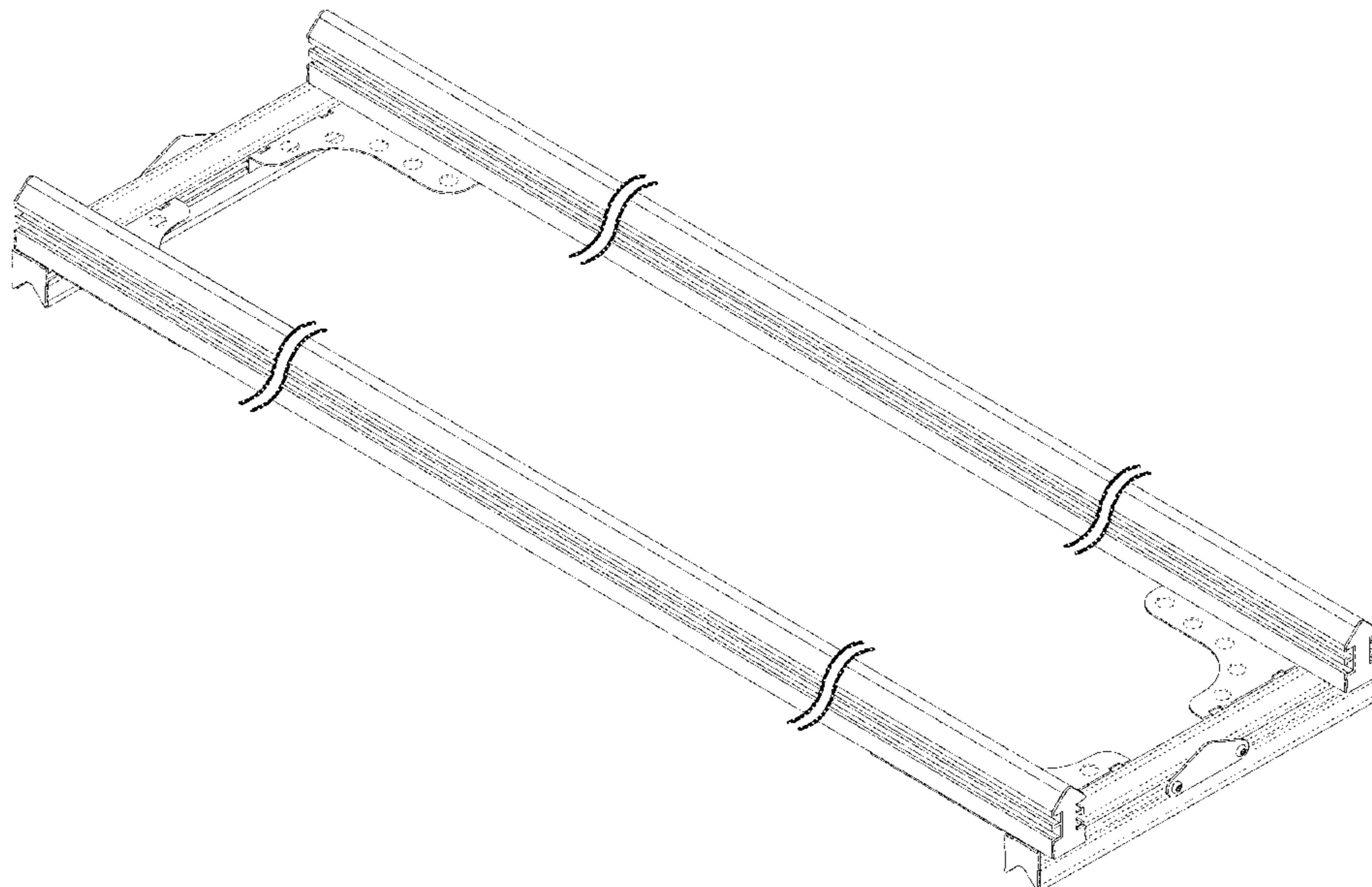
The ornamental design for an apparatus for flattening wide boards, as shown and described.

DESCRIPTION

FIG. 1 is a top right front perspective view for an apparatus for flattening wide boards in accordance with our design; FIG. 2A is a first portion isometric perspective view thereof; FIG. 2B is a second portion isometric perspective view thereof; FIG. 2C is a third portion isometric perspective view thereof; FIG. 3 is a top plan view thereof; FIG. 4 is a bottom plan view thereof; FIG. 5 is a rear elevation view thereof; FIG. 6 is a front elevation view thereof; FIG. 7 is a left side elevation view thereof; and, FIG. 8 is a right side elevation view thereof.

The broken lines illustrate portions which form no part of the claimed design. The claimed design is shown with a symbolic break in its length. The appearance of any portion of the article between the break lines forms no part of the claimed design.

1 Claim, 10 Drawing Sheets



(56)

References Cited

U.S. PATENT DOCUMENTS

6,805,185 B2 * 10/2004 Gravel E04B 2/7422
160/135
D501,564 S 2/2005 Kuramochi
D526,068 S 8/2006 Schlangen et al.
D552,325 S * 10/2007 Dickner D34/38
D563,124 S 3/2008 Walter
D566,855 S * 4/2008 Bunner D25/60
7,383,670 B1 6/2008 Meyers
D577,445 S 9/2008 Durrant
7,469,485 B1 * 12/2008 Perdue B43L 7/10
33/454
D634,858 S * 3/2011 Landau D25/67
D643,545 S 8/2011 McDonald et al.
D649,263 S * 11/2011 Brabeck D25/119
8,176,695 B2 * 5/2012 Deweerd E04B 2/7425
52/239
D664,669 S * 7/2012 Schoonover D25/48.2
D681,851 S * 5/2013 Zidek D25/67
D692,593 S 10/2013 Hanser et al.
D737,470 S * 8/2015 Bucarizza D25/119
D737,471 S * 8/2015 Bucarizza D25/119
D737,472 S * 8/2015 Bucarizza D25/119
D745,904 S 12/2015 Geltinger et al.
D751,789 S * 3/2016 Cote D34/38
D796,774 S * 9/2017 Simmons D34/38
D803,419 S * 11/2017 Faibish D25/67
D832,465 S 10/2018 Hilliaho
D882,824 S * 4/2020 Hanlon D25/67
D899,629 S * 10/2020 Hanlon D25/67
D901,718 S * 11/2020 Schoonover D25/48.2

* cited by examiner

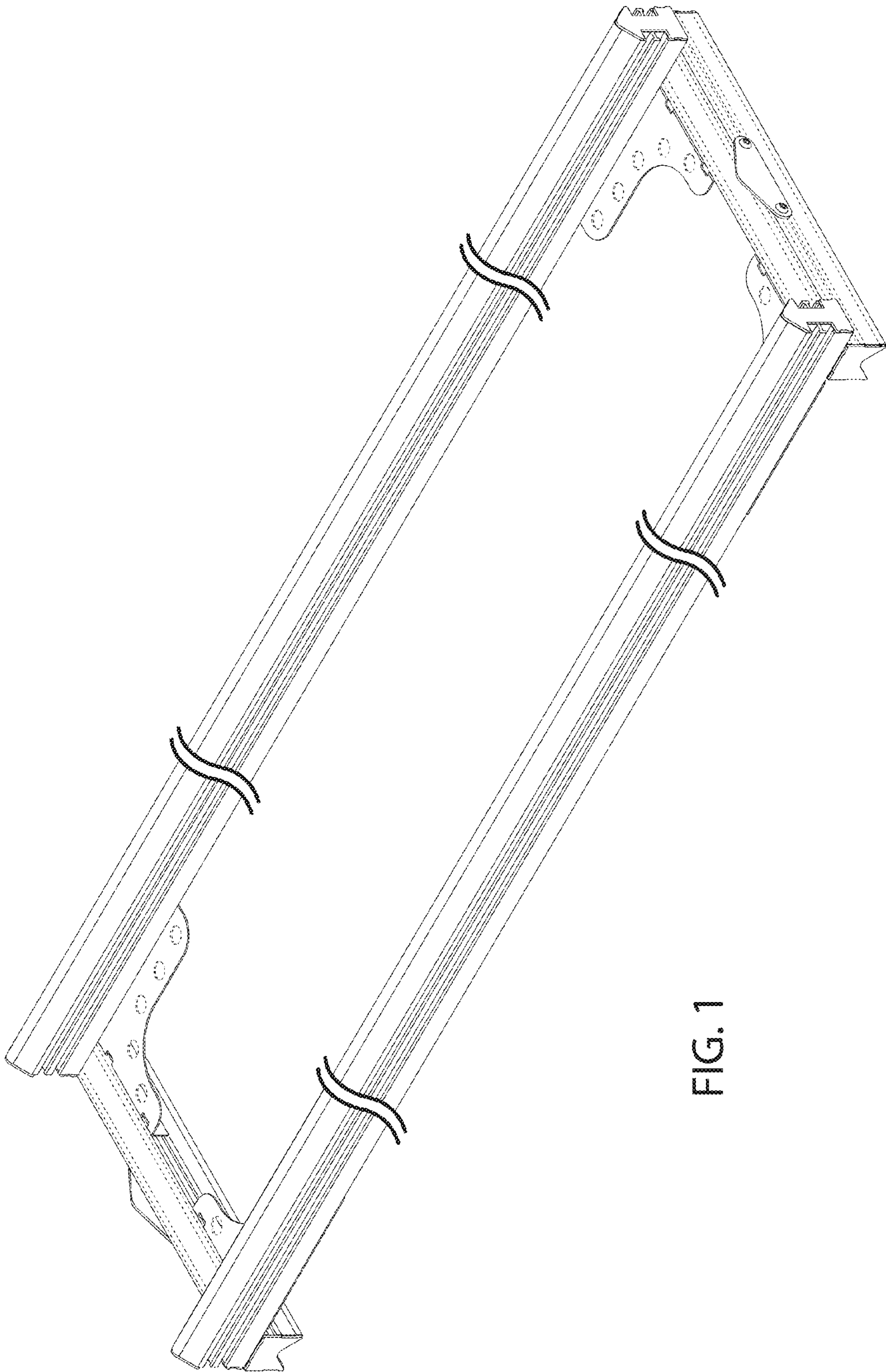


FIG. 1

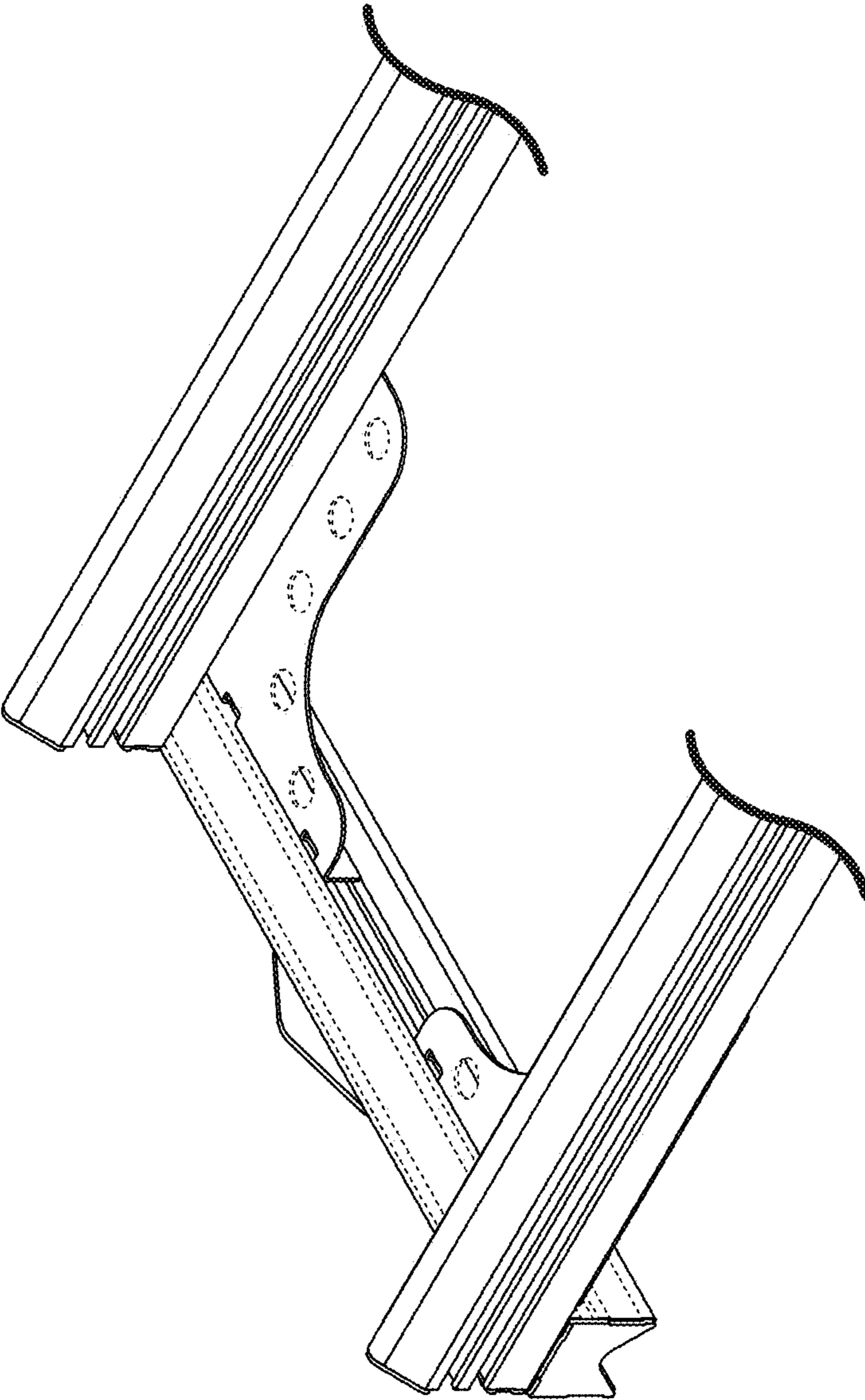


FIG. 2A

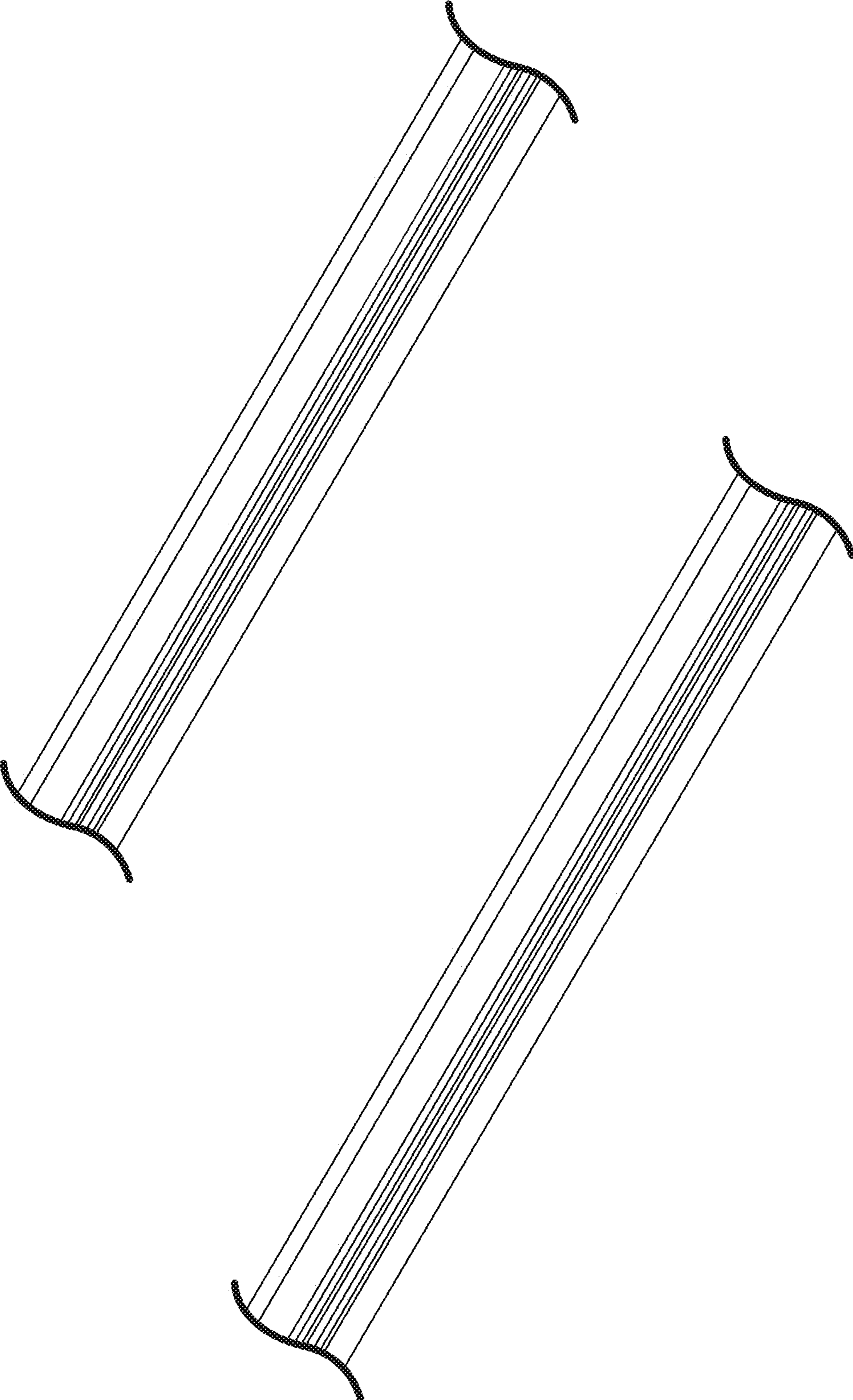


FIG. 2B

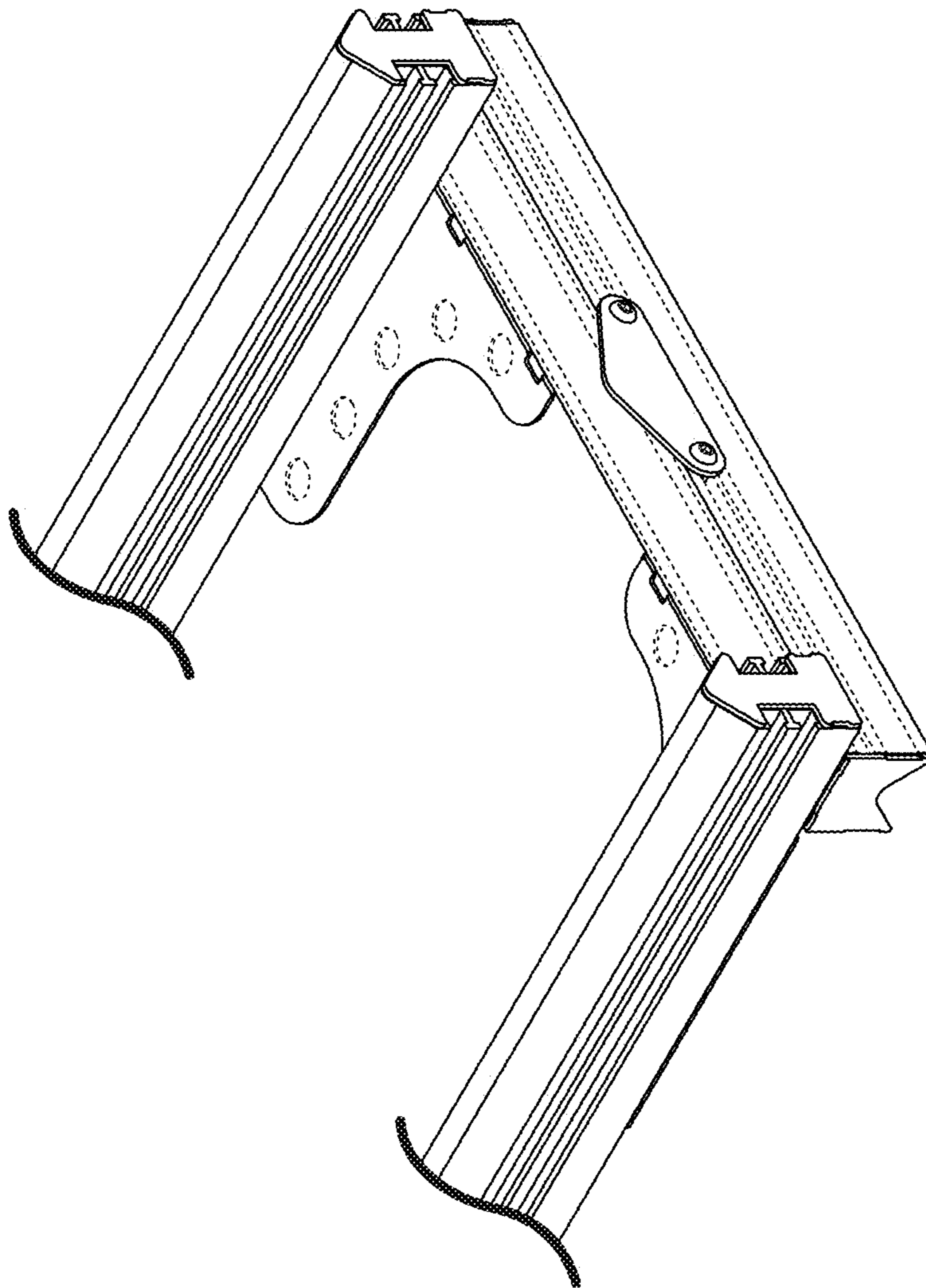


FIG. 2C

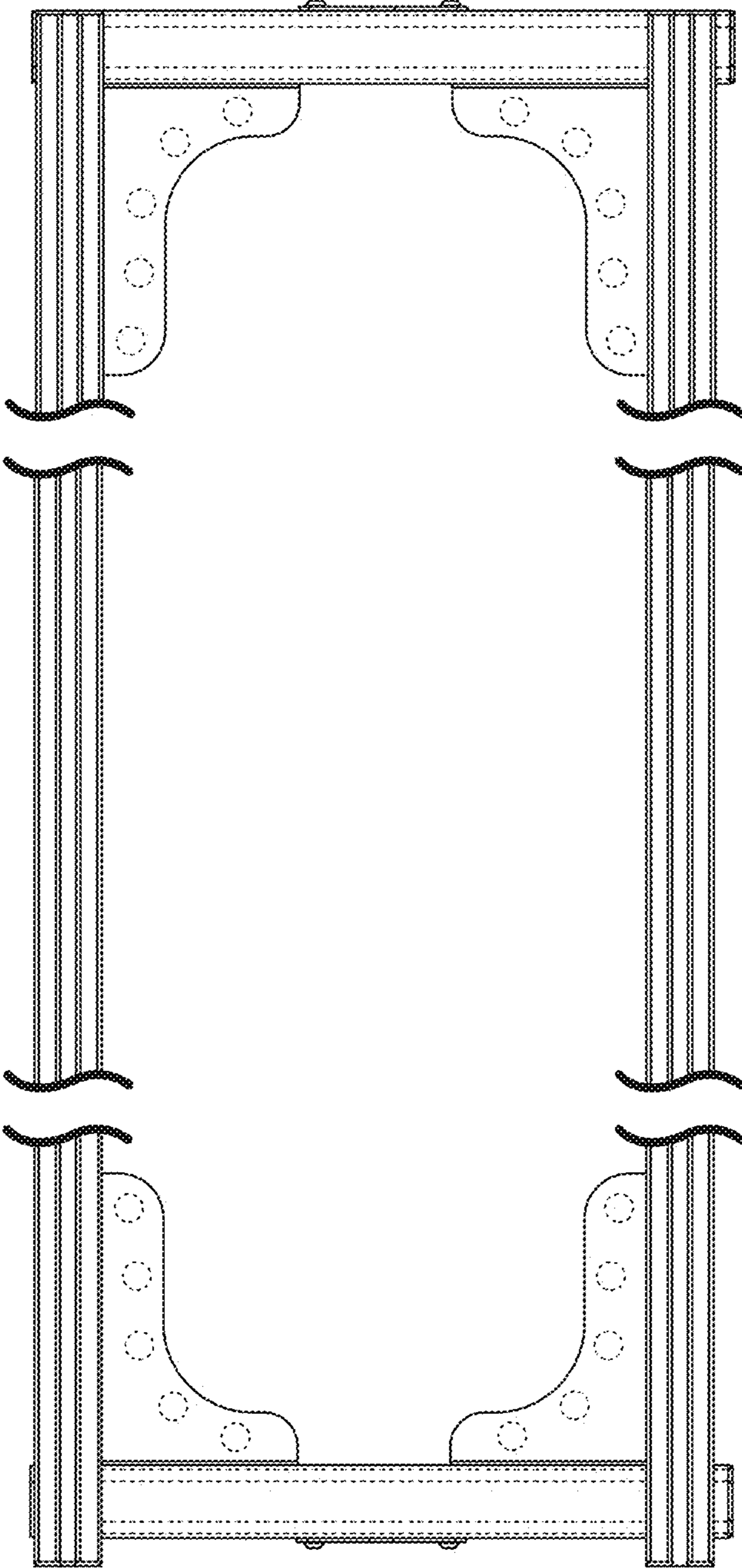


FIG. 3

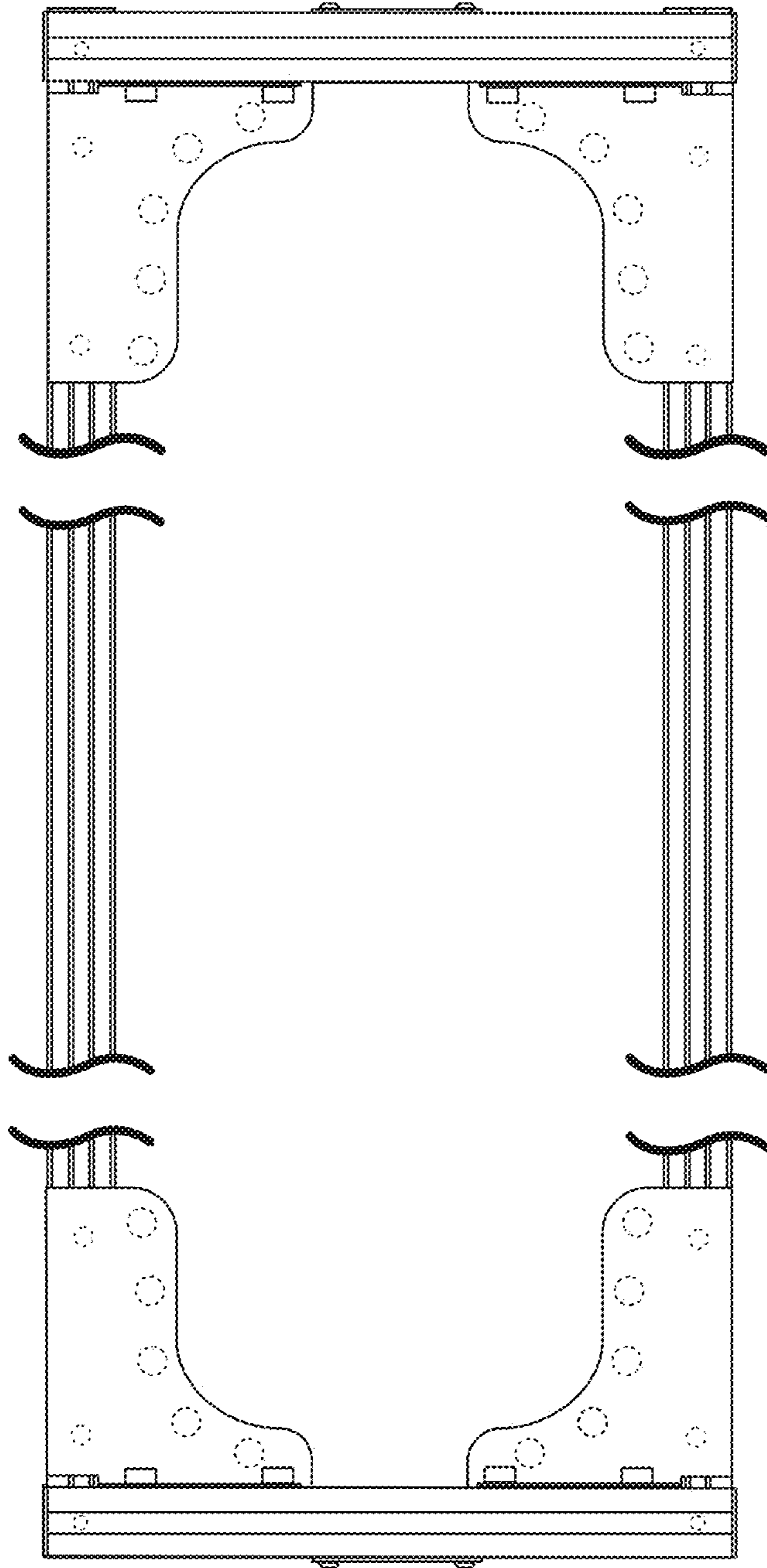


FIG. 4

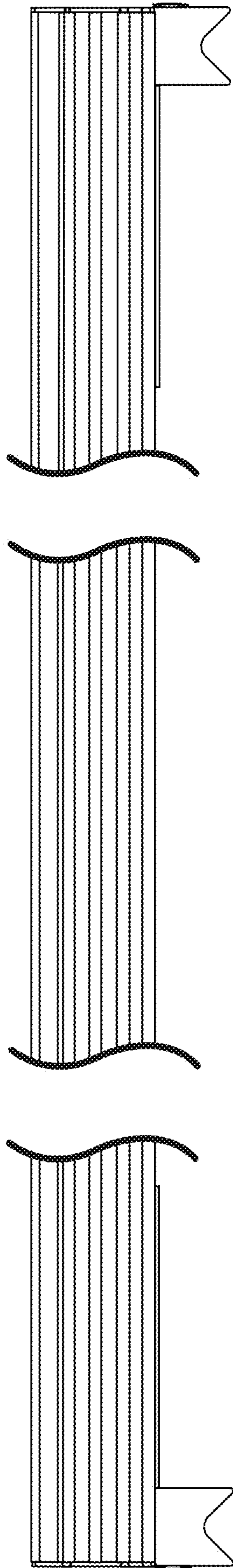


FIG. 5

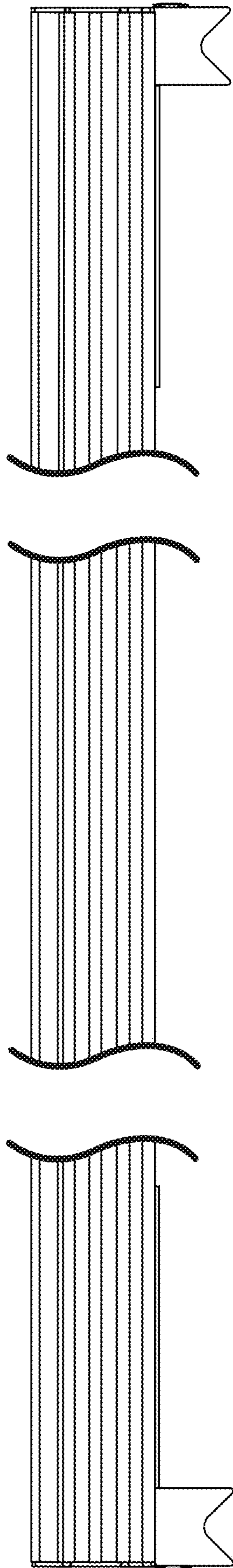


FIG. 6

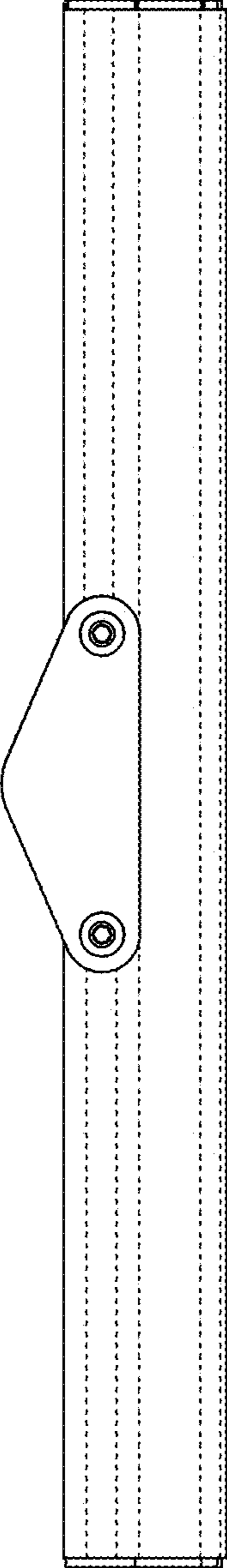


FIG. 7

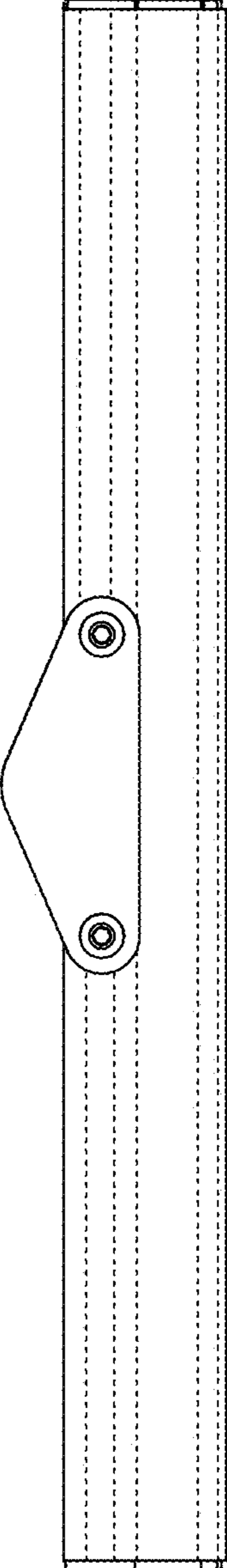


FIG. 8