



US00D930448S

(12) **United States Design Patent**
Parker et al.

(10) **Patent No.:** **US D930,448 S**

(45) **Date of Patent:** **** Sep. 14, 2021**

(54) **TOUCH-FREE UTILITY TOOL**

(71) Applicant: **KABA ILCO CORP.**, Rocky Mount, NC (US)

(72) Inventors: **Deborah Parker**, Elm City, NC (US);
Allen Fisher, Nashville, NC (US)

(73) Assignee: **KABA ILCO CORP.**, Rocky Mount, NC (US)

(**) Term: **15 Years**

(21) Appl. No.: **29/730,681**

(22) Filed: **Apr. 7, 2020**

(51) **LOC (13) Cl.** **08-05**

(52) **U.S. Cl.**
USPC **D8/14**

(58) **Field of Classification Search**
USPC D8/14, 17, 19, 105, 107, 300; D3/210;
D24/133
CPC . A45F 5/102; A45F 2005/1086; B65D 83/04;
F16B 45/00; A44B 15/00
See application file for complete search history.

(56) **References Cited**

U.S. PATENT DOCUMENTS

D444,685 S * 7/2001 Shenkel D3/208
6,447,033 B1 * 9/2002 Konczak B65G 7/12
294/15
7,178,845 B1 * 2/2007 Metzger E05B 1/0053
294/169

D646,556 S * 10/2011 Kelleghan D8/356
D694,613 S * 12/2013 Miles D8/367
D737,640 S * 9/2015 Manwaring D8/17
D758,824 S * 6/2016 Kelleghan D8/105
D765,493 S * 9/2016 Spater D8/356
D773,911 S * 12/2016 Louis D8/34
D778,132 S * 2/2017 Fischer D8/17
D792,922 S * 7/2017 Benson D17/22
D802,399 S * 11/2017 Ward D8/367
10,036,415 B2 * 7/2018 Yitzhaki A44B 15/00
D885,871 S * 6/2020 Adelman D8/356
D893,986 S * 8/2020 Adelman D8/367
10,882,178 B1 * 1/2021 Chang E05B 1/0053

* cited by examiner

Primary Examiner — Philip S Hyder

(74) *Attorney, Agent, or Firm* — Norton Rose Fulbright US LLP

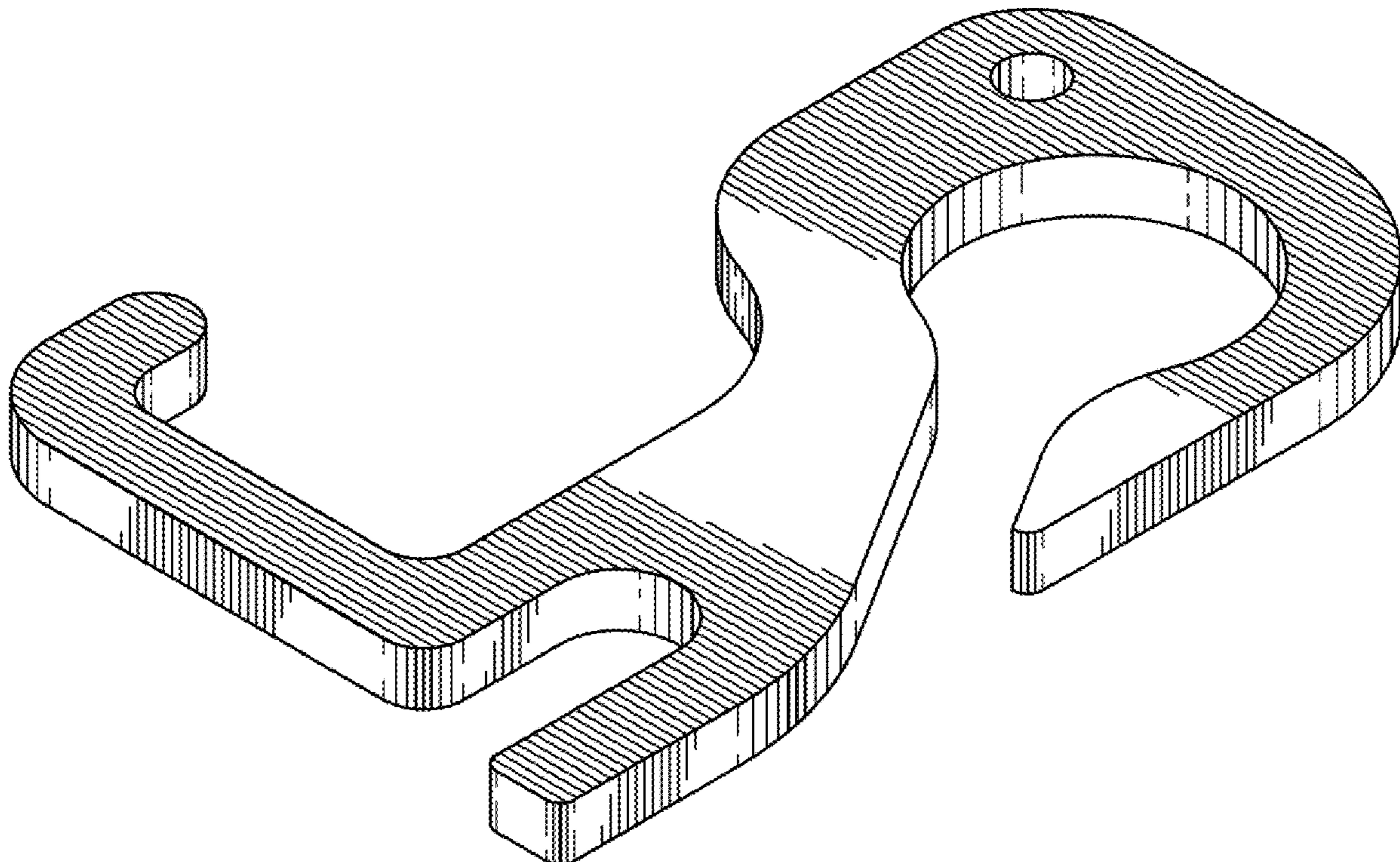
(57) **CLAIM**

We claim the ornamental design for a touch-free utility tool, as shown and described.

DESCRIPTION

FIG. 1 is a top perspective view of a touch-free utility tool embodying our new design;
FIG. 2 is a top plan view thereof;
FIG. 3 is a left side elevation view of FIG. 2;
FIG. 4 is a right side elevation view of FIG. 2;
FIG. 5 is a top plan view of FIG. 2; and,
FIG. 6 a bottom plan view of FIG. 2.
The shaded lines in the Figures show contour and not surface ornamentation.

1 Claim, 2 Drawing Sheets



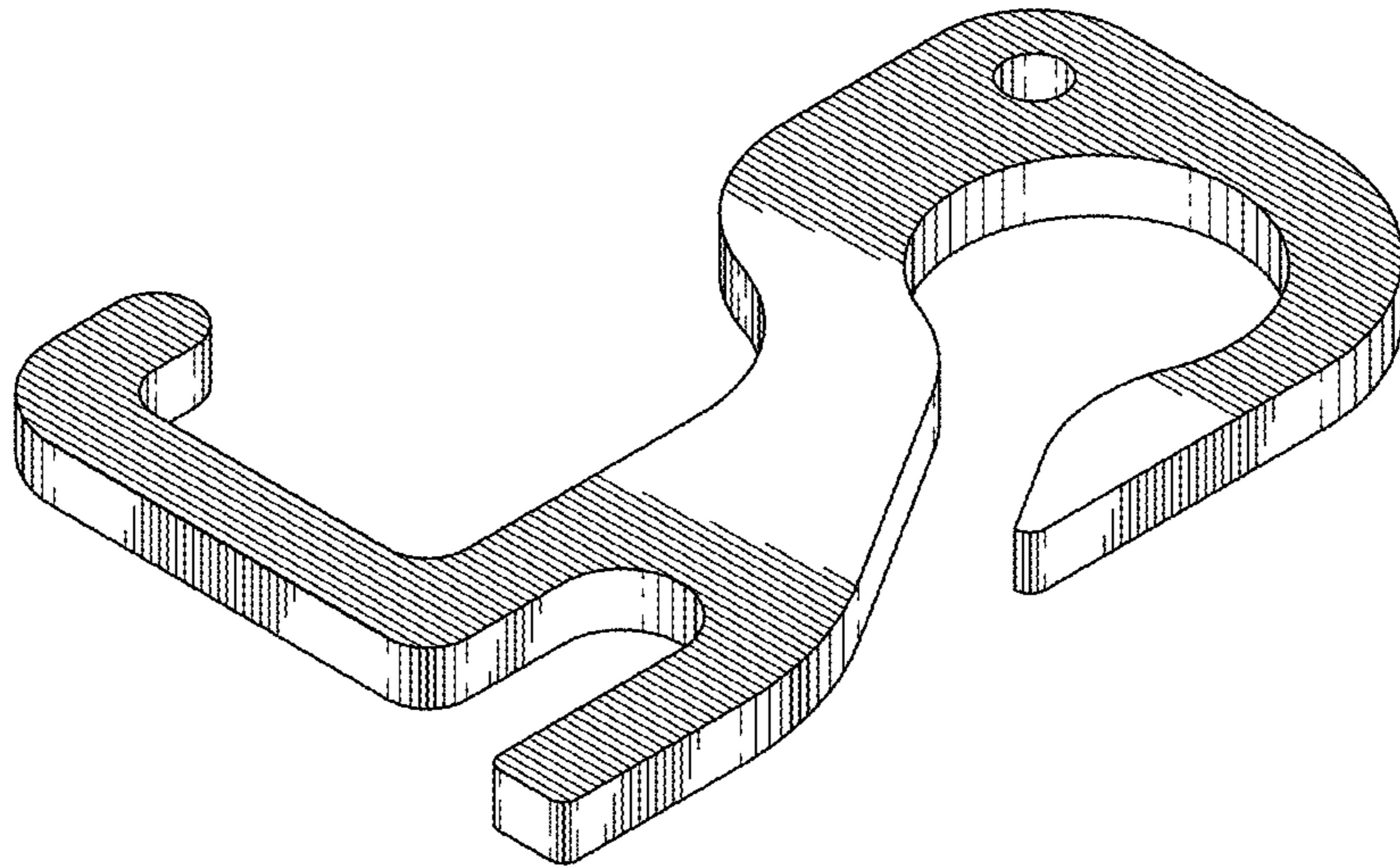


FIG. 1

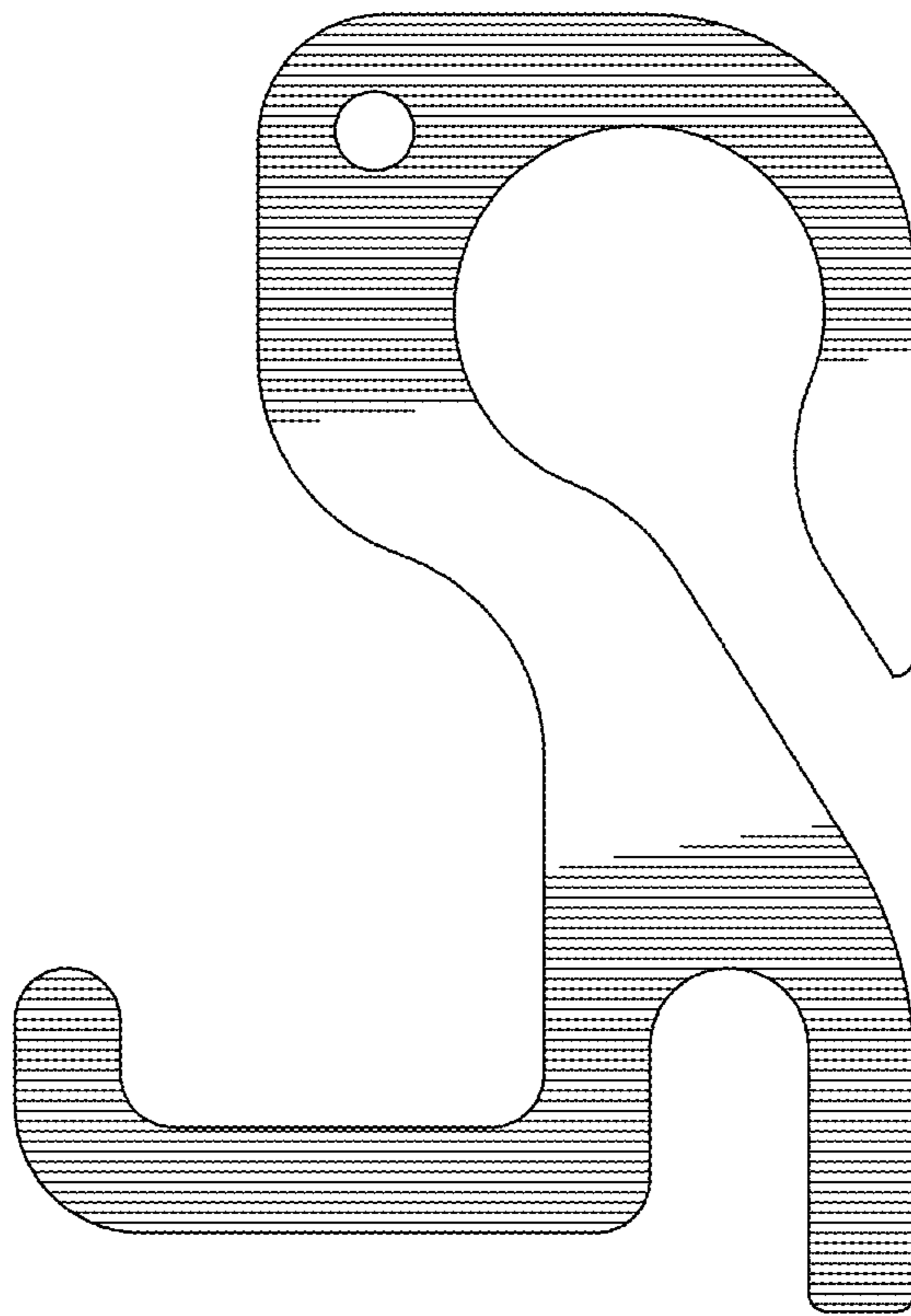


FIG. 2



FIG. 3



FIG. 4



FIG. 5



FIG. 6