

US00D930444S

(12) **United States Design Patent**
Lu

(10) **Patent No.:** **US D930,444 S**

(45) **Date of Patent:** **** Sep. 14, 2021**

(54) **FOOD GRATER**

(71) Applicant: **Zhejiang Fullstar Houseware Co., Ltd.**, Taizhou (CN)

(72) Inventor: **Congqiang Lu**, Taizhou (CN)

(**) Term: **15 Years**

(21) Appl. No.: **29/745,910**

(22) Filed: **Aug. 10, 2020**

(51) **LOC (13) Cl.** **07-04**

(52) **U.S. Cl.**
USPC **D7/678**

(58) **Field of Classification Search**
USPC D7/678, 672-675
CPC B26D 3/185; B26D 3/26; B26D 3/283;
B26D 2003/285-288; A47J 43/25; A47J
43/255; A47J 42/04; A47J 42/14; A47J
42/34; A47J 42/40; A47J 42/00
See application file for complete search history.

(56) **References Cited**

U.S. PATENT DOCUMENTS

7,150,214 B2 * 12/2006 Repac A47J 19/04
83/437.2
7,806,354 B2 * 10/2010 de Groote A47J 42/40
241/169.1

D761,065 S * 7/2016 Greiner D7/679
D779,293 S * 2/2017 Cranston D7/679
2018/0344086 A1 * 12/2018 McDonough Migale
B02C 18/2216

* cited by examiner

Primary Examiner — Terry A Wallace

(57) **CLAIM**

The ornamental design for a food grater, as shown and described.

DESCRIPTION

FIG. 1 is a first perspective view of a food grater showing my new design;
FIG. 2 is a second perspective view thereof;
FIG. 3 is a front view thereof;
FIG. 4 is a back view thereof;
FIG. 5 is a left side view thereof;
FIG. 6 is a right side view thereof;
FIG. 7 is a top view thereof;
FIG. 8 is a bottom view thereof; and,
FIG. 9 is a perspective view of another state of the food grater thereof.
The broken lines shown in the drawings depict portions of the food grater in which the design is embodied that form no part of the claimed design.

1 Claim, 9 Drawing Sheets

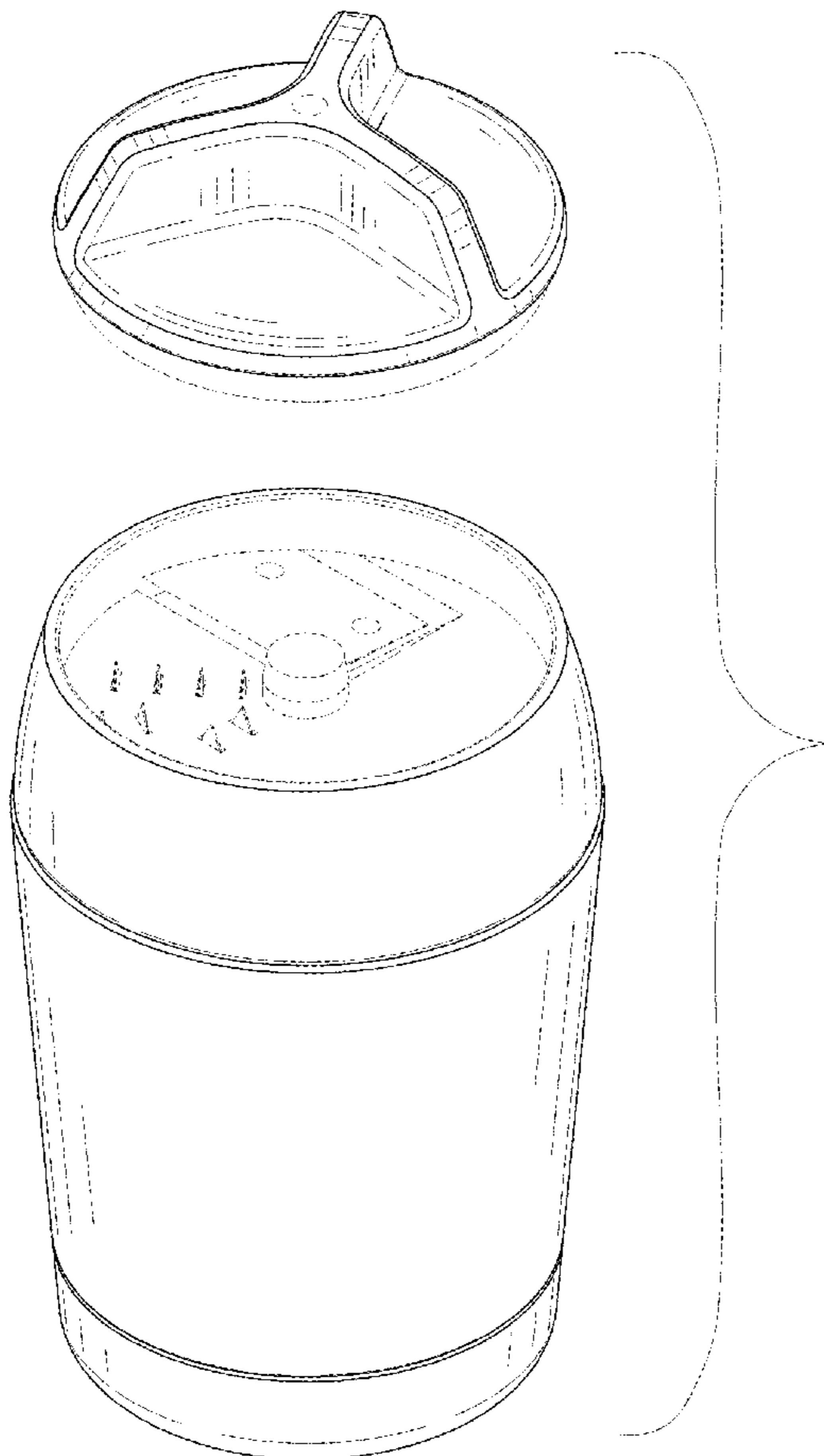




FIG. 1

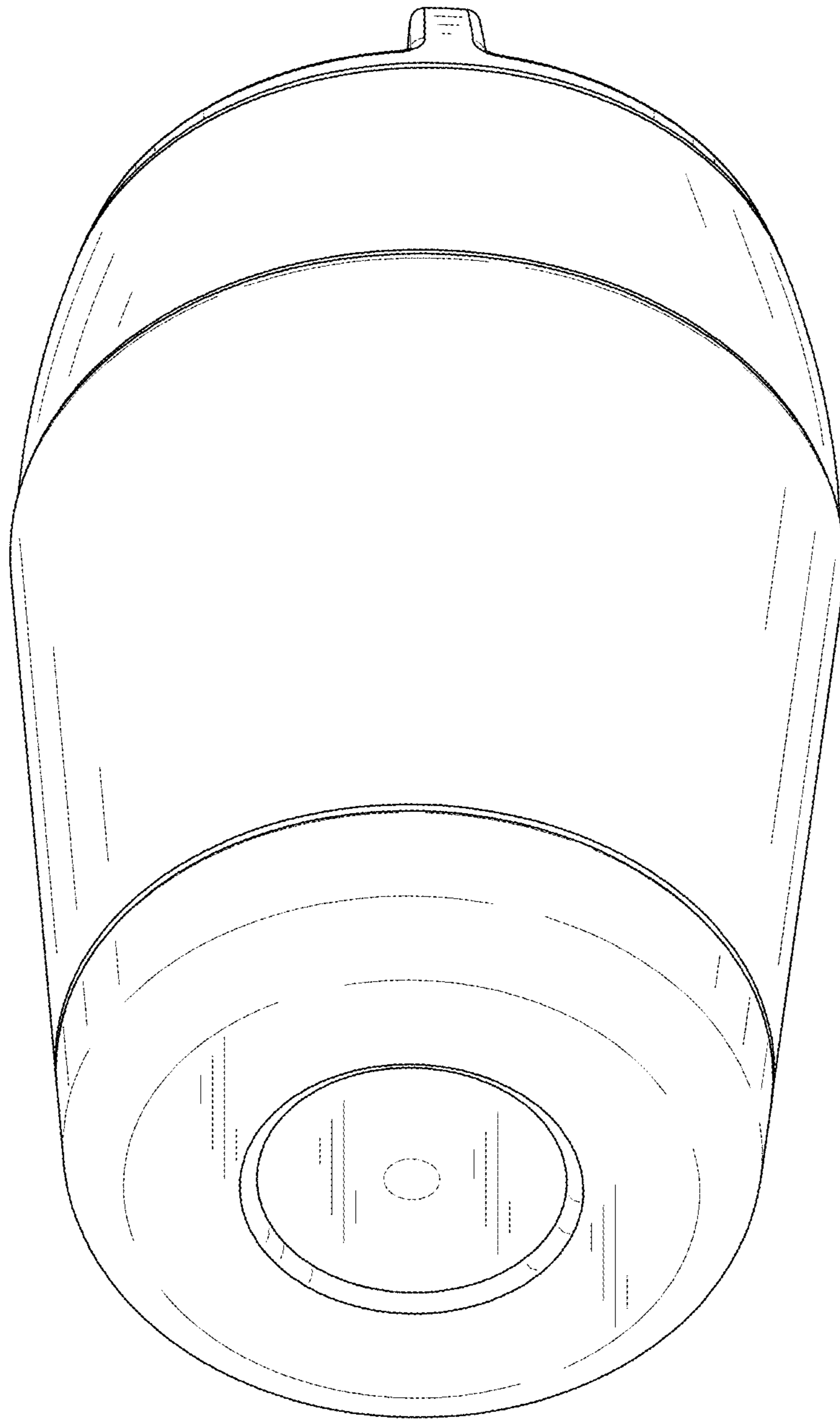


FIG. 2

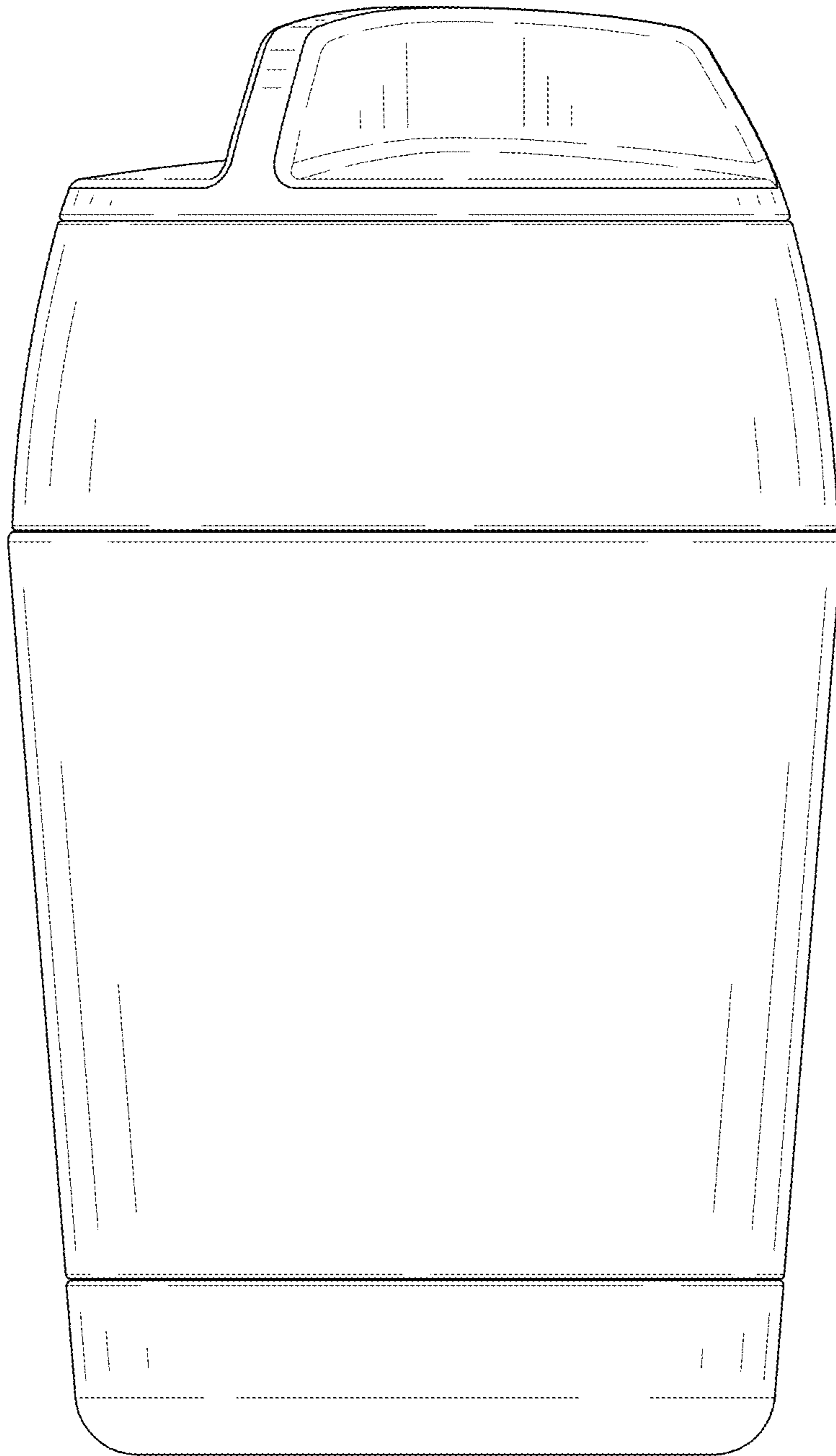


FIG. 3

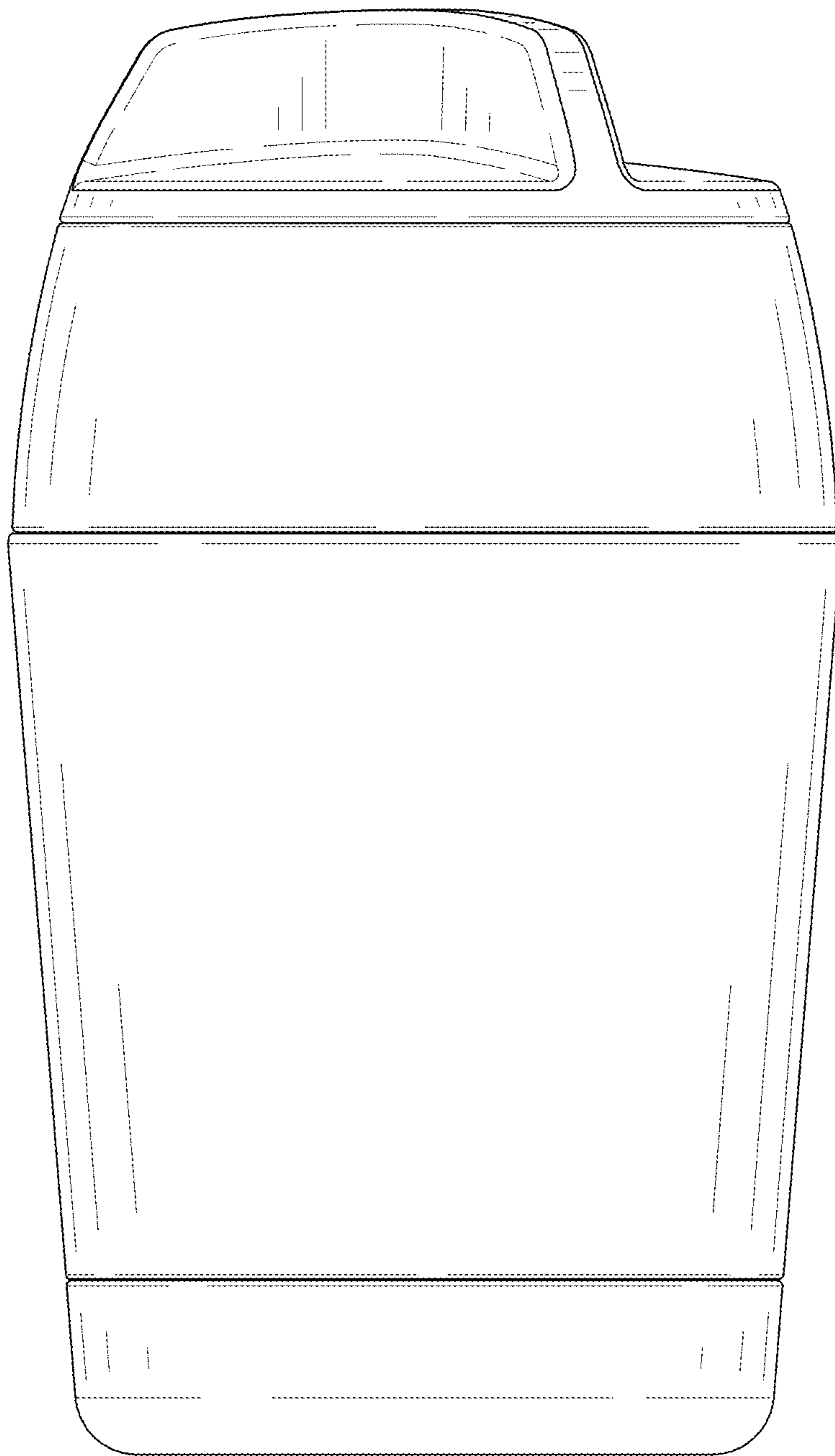


FIG. 4

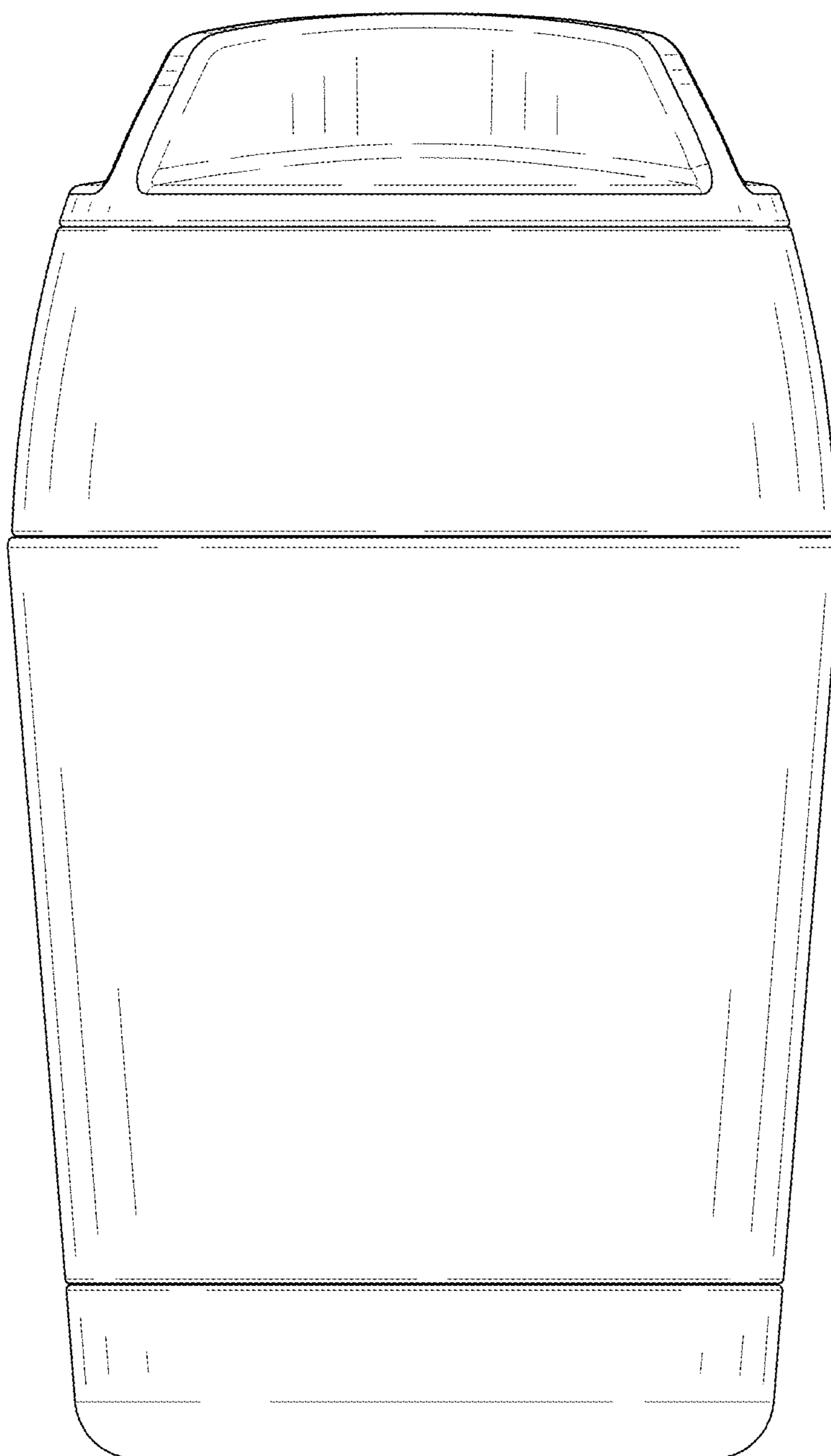


FIG. 5

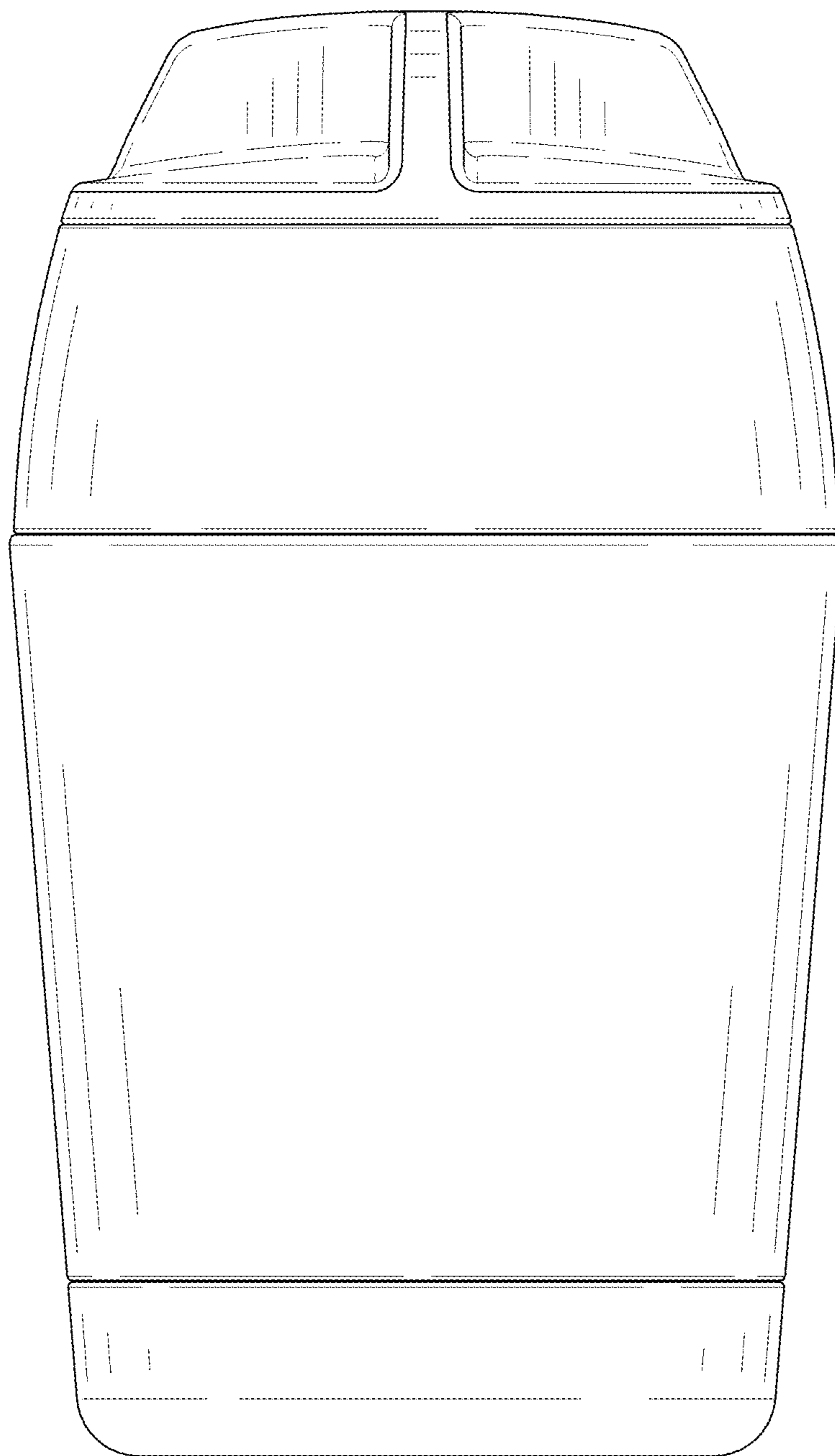


FIG. 6

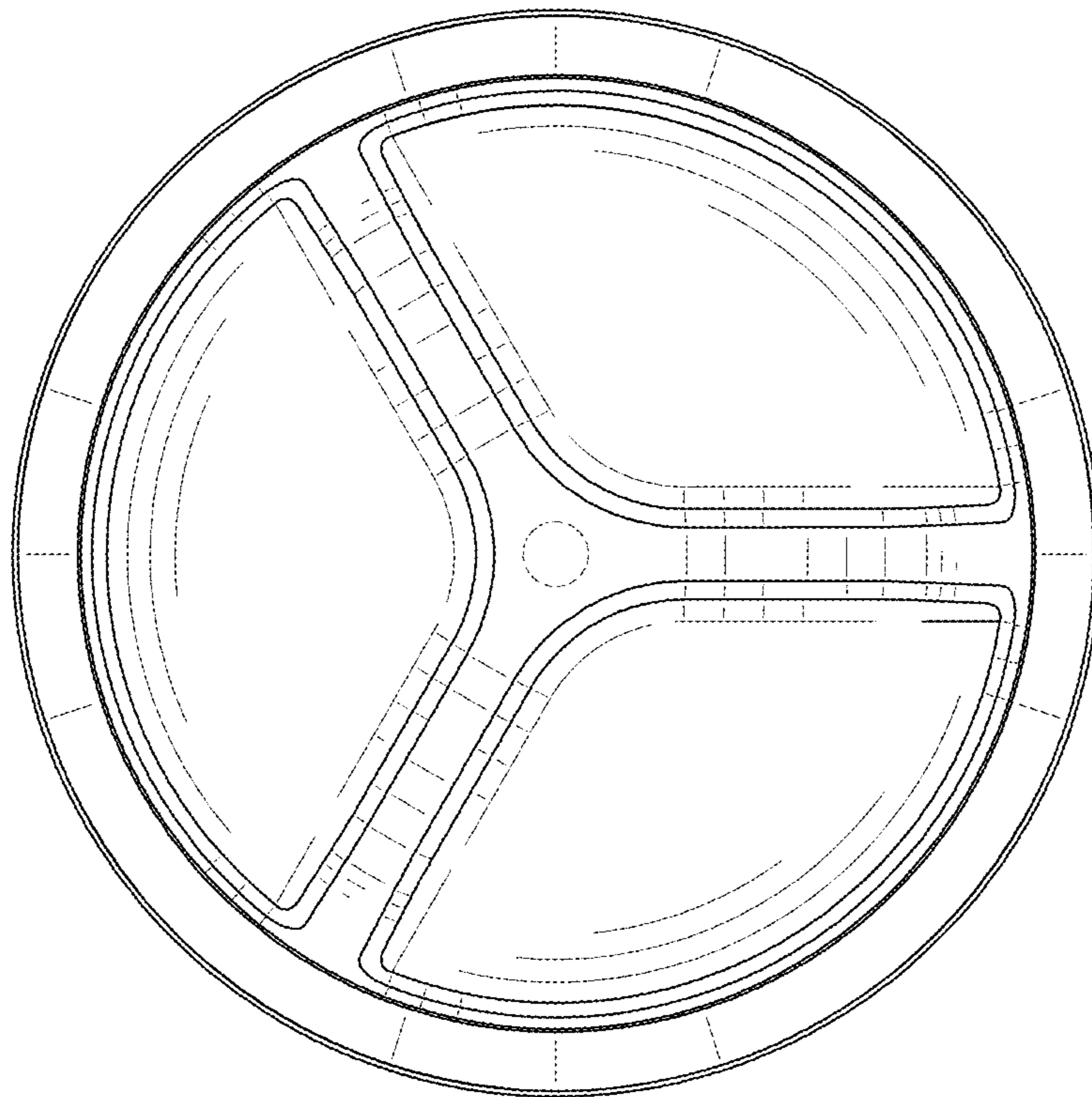


FIG. 7

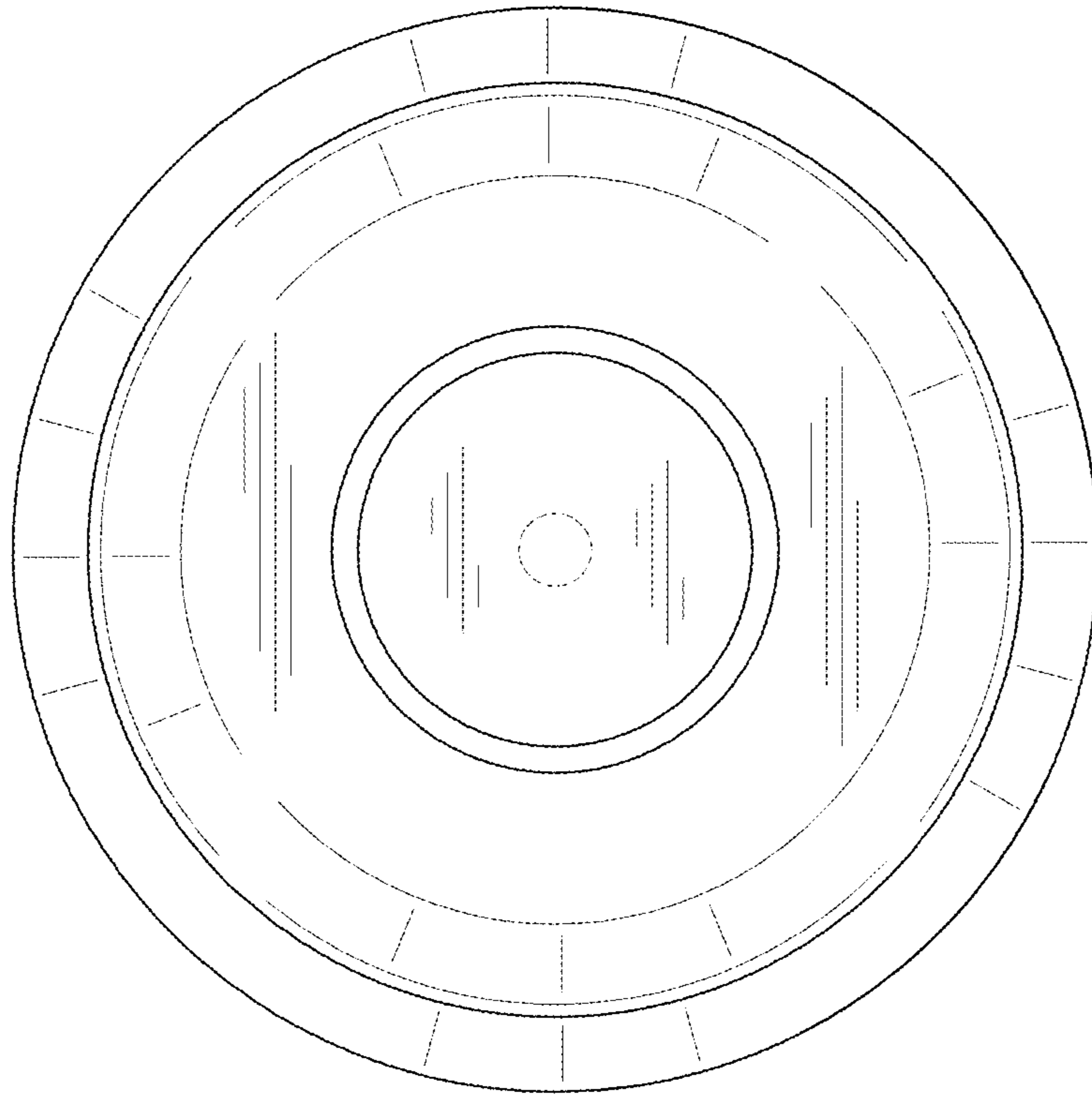


FIG. 8

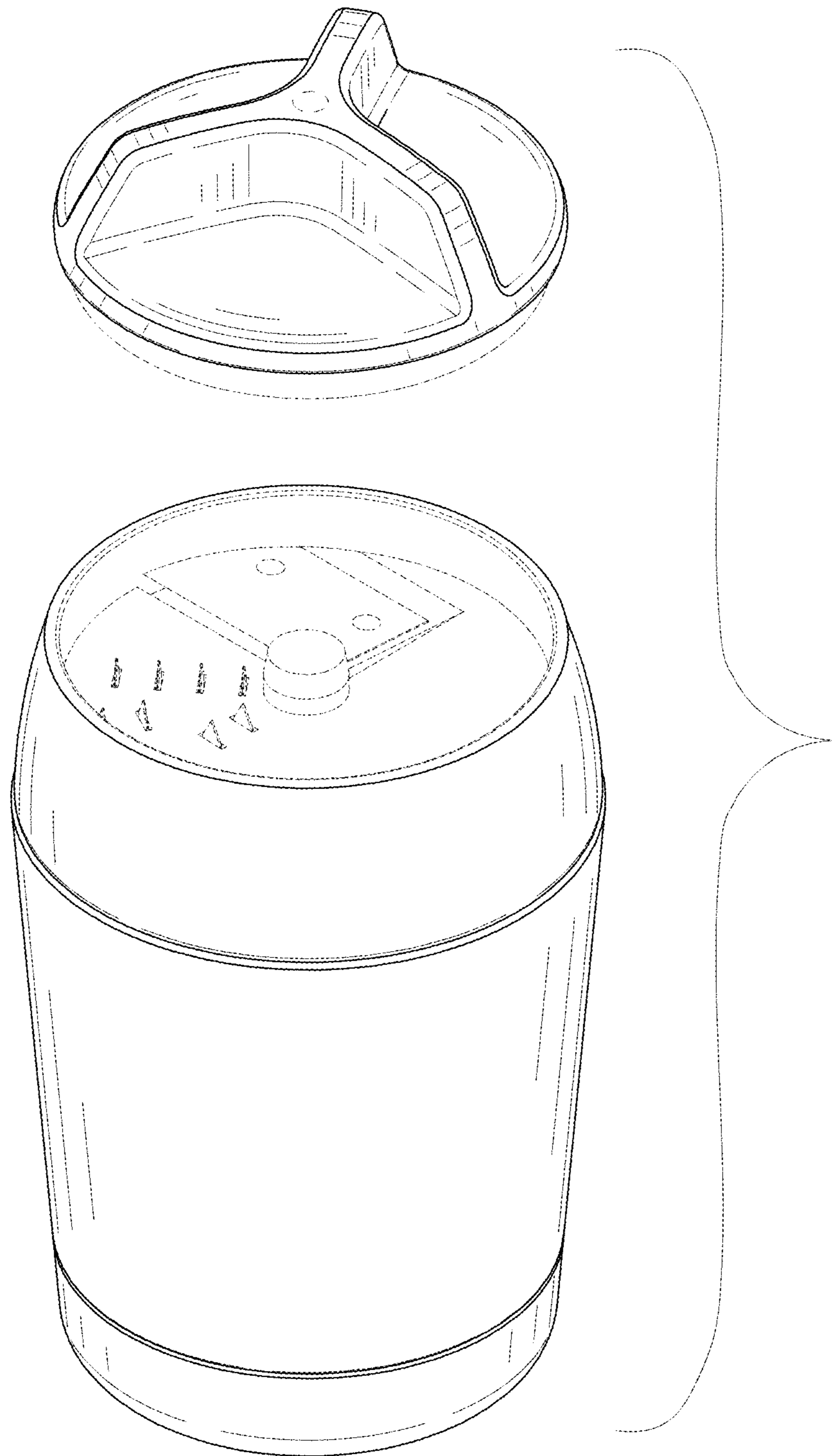


FIG. 9