



US00D930443S

(12) **United States Design Patent** (10) **Patent No.:** **US D930,443 S**
Lu (45) **Date of Patent:** **** Sep. 14, 2021**

(54) **VEGETABLE GRATER**

DESCRIPTION

(71) Applicant: **Zhejiang Fullstar Houseware Co., Ltd.**, Taizhou (CN)
(72) Inventor: **Congqiang Lu**, Taizhou (CN)
(**) Term: **15 Years**
(21) Appl. No.: **29/744,208**
(22) Filed: **Jul. 28, 2020**
(51) **LOC (13) Cl.** **07-04**
(52) **U.S. Cl.**
USPC **D7/678; D7/673**
(58) **Field of Classification Search**
USPC **D7/678, 672-675**
(Continued)

(56) **References Cited**

U.S. PATENT DOCUMENTS

D167,270 S * 7/1952 Marcus D7/678
2,714,908 A * 8/1955 Carmack A47J 43/25
241/95

(Continued)

FOREIGN PATENT DOCUMENTS

DE 202013105877 U1 * 1/2014 B26D 7/0608

OTHER PUBLICATIONS

Amazon.com, Fullstar Mandoline Slicer Spiralizer Vegetable Slicer, pp. 1-8 , date first available Aug. 26, 2019 (Year: 2019).*

(Continued)

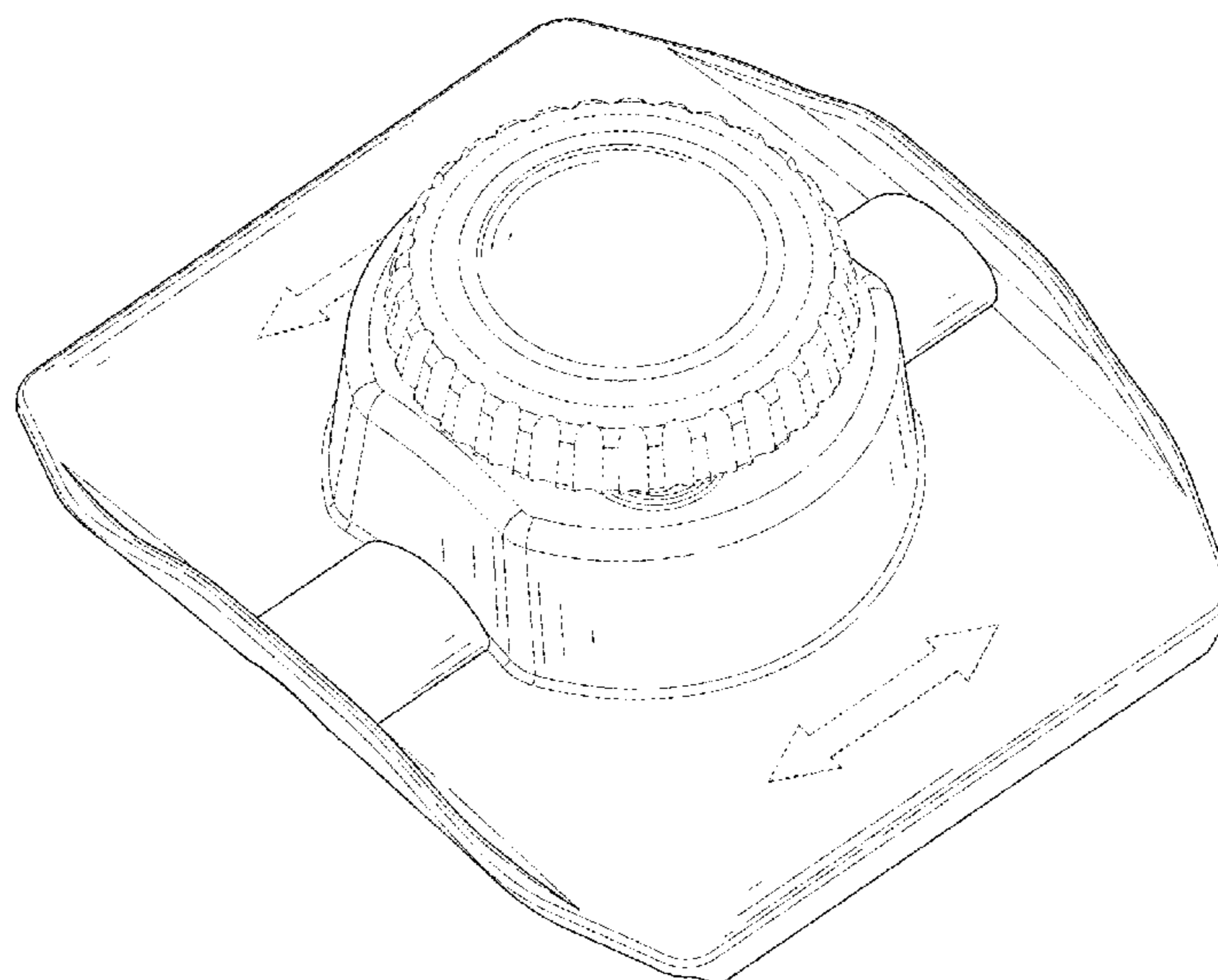
Primary Examiner — Terry A Wallace

(57) **CLAIM**

The ornamental design for a vegetable grater, as shown and described.

FIG. 1 is a first perspective view showing a first part of the vegetable grater showing my new design;
FIG. 2 is a second perspective view of the first part of the vegetable grater;
FIG. 3 is a front view of the first part of the vegetable grater;
FIG. 4 is a back view of the first part of the vegetable grater;
FIG. 5 is a left side view of the first part of the vegetable grater;
FIG. 6 is a right side view of the first part of the vegetable grater;
FIG. 7 is a top plan view of the first part of the vegetable grater;
FIG. 8 is a bottom plan view of the first part of the vegetable grater;
FIG. 9 is a first perspective view showing a second part of the vegetable grater showing my new design;
FIG. 10 is a second perspective view of the second part of the vegetable grater;
FIG. 11 is a front view of the second part of the vegetable grater;
FIG. 12 is a back view of the second part of the vegetable grater;
FIG. 13 is a left side view of the second part of the vegetable grater;
FIG. 14 is a right side view of the second part of the vegetable grater;
FIG. 15 is a top plan view of the second part of the vegetable grater;
FIG. 16 is a bottom plan view of the second part of the vegetable grater;
FIG. 17 is a first perspective view of the combined state of the first part and the second part of the vegetable grater; and, FIG. 18 is a second perspective view of the combined state of the first part and the second part of the vegetable grater. The broken lines shown in the drawings depict portions of the vegetable grater in which the design is embodied that form no part of the claimed design.
The first part and second part, FIGS. 1-8 and 9-16 respectively, are shown separately for clarity of illustration.

1 Claim, 18 Drawing Sheets



(58) **Field of Classification Search**

CPC B26D 3/185; B26D 3/26; B26D 3/283;
B26D 2003/285-288; A47J 43/25; A47J
43/255; A47J 42/04; A47J 42/14; A47J
42/34; A47J 42/40

See application file for complete search history.

(56) **References Cited**

U.S. PATENT DOCUMENTS

4,212,431 A * 7/1980 Doyel A47J 43/25
241/100
D354,886 S * 1/1995 Diefenbach D7/678
5,745,999 A * 5/1998 Zirkiev A47J 43/25
30/278
D512,609 S * 12/2005 Kaposi D7/672
D519,001 S * 4/2006 So D7/678
D632,139 S * 2/2011 Repac D7/673
D708,917 S * 7/2014 Wong D7/672
D776,495 S * 1/2017 Repac D7/672
D776,989 S * 1/2017 Wong D7/678

OTHER PUBLICATIONS

Amazon.com, Progressive International Grate, Slice and Store Set,
pp. 1-5, date first available May 1, 2019 (Year: 2019).*

* cited by examiner

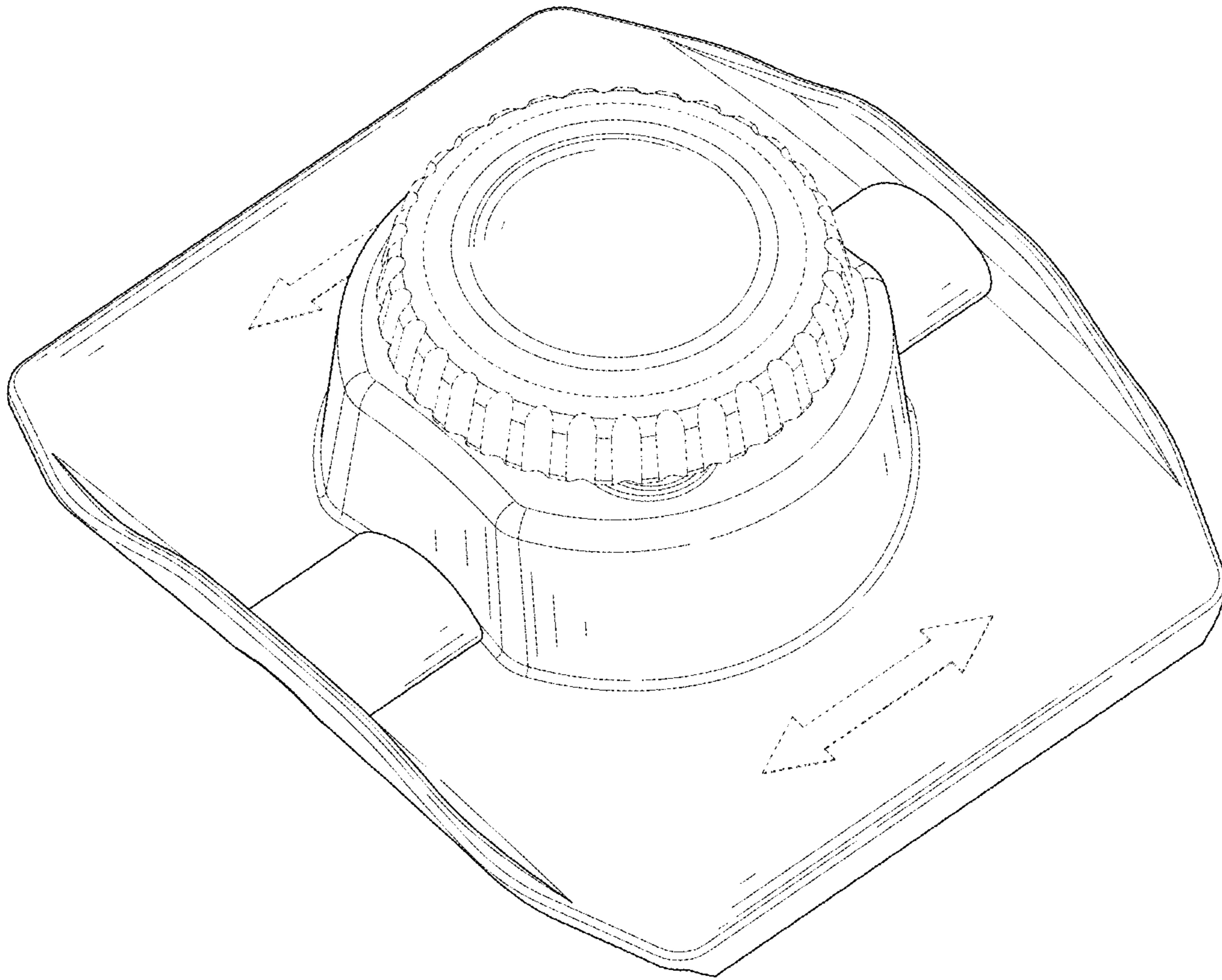


FIG. 1

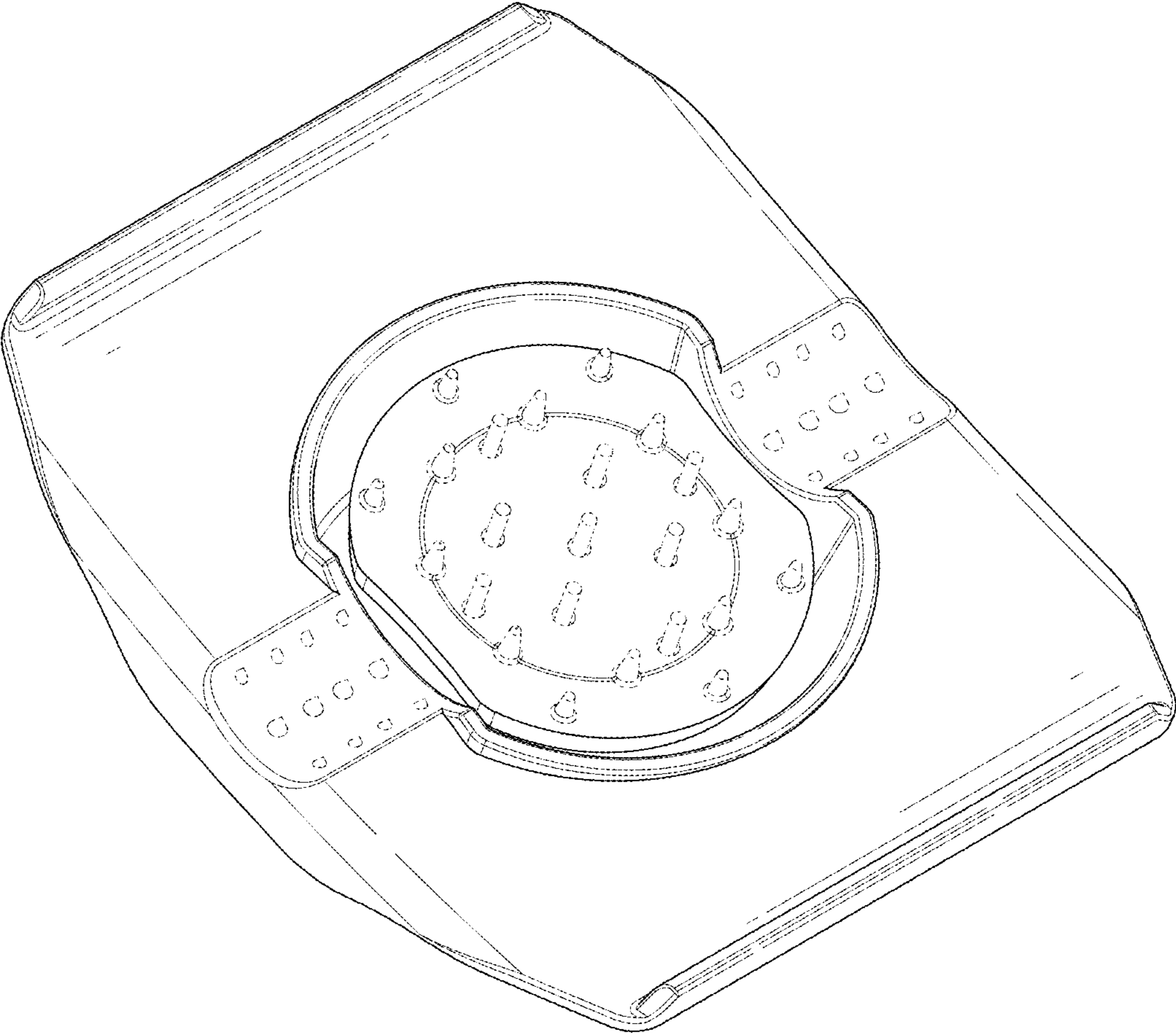


FIG. 2

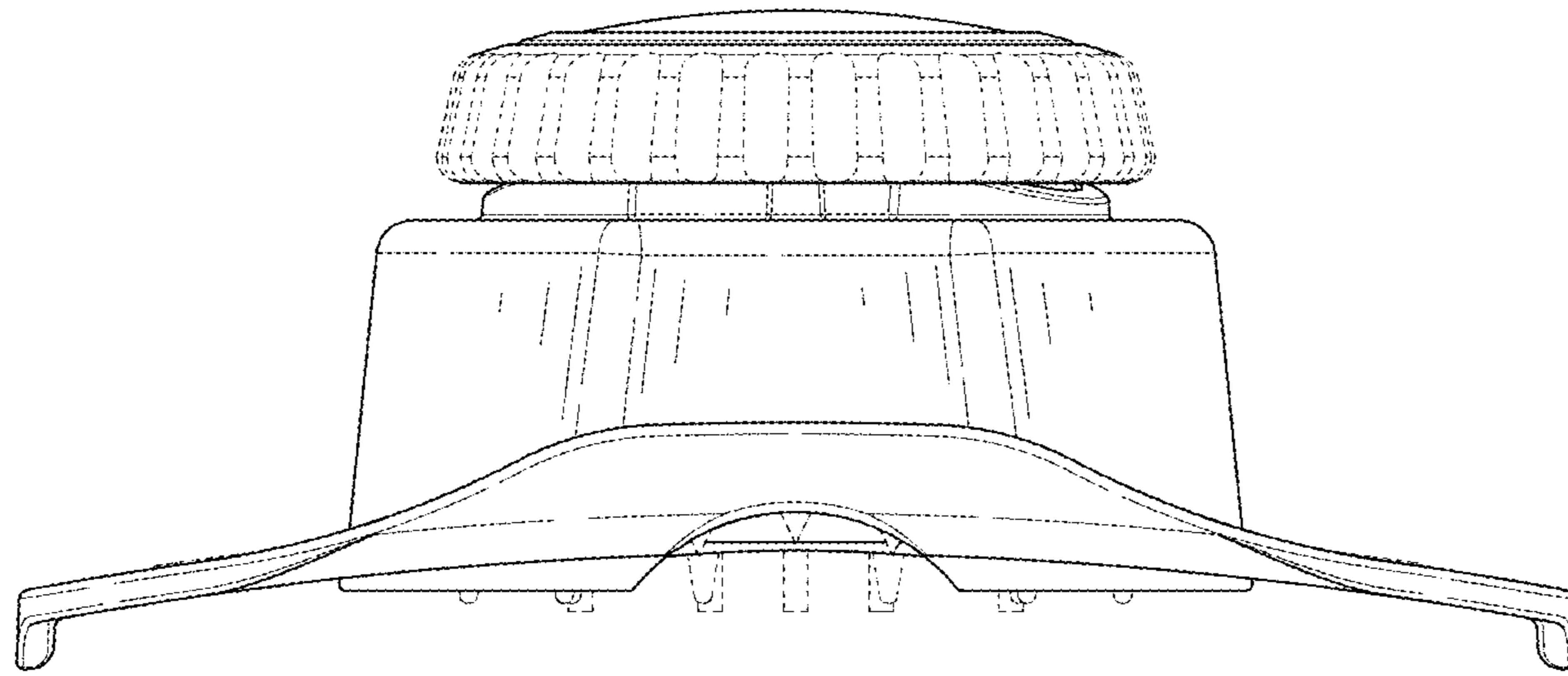


FIG. 3

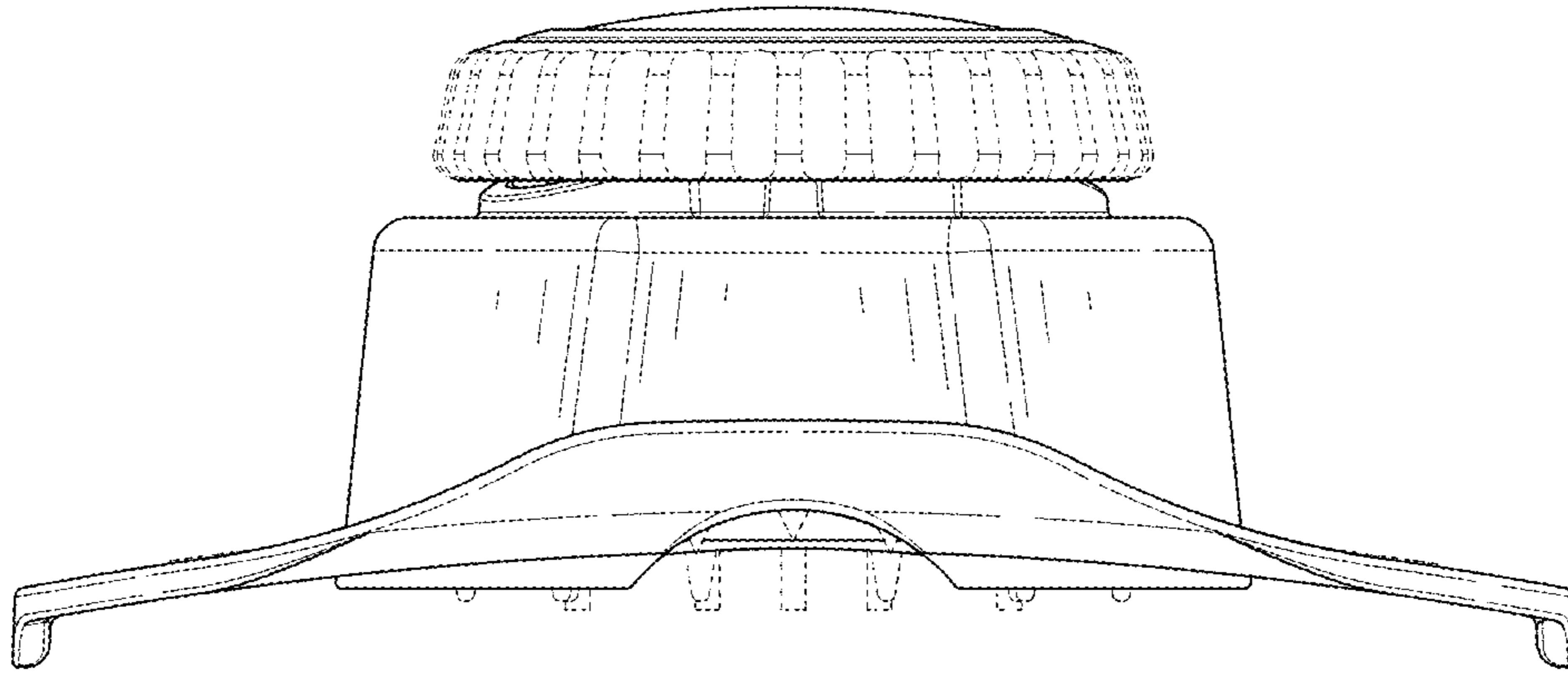


FIG. 4

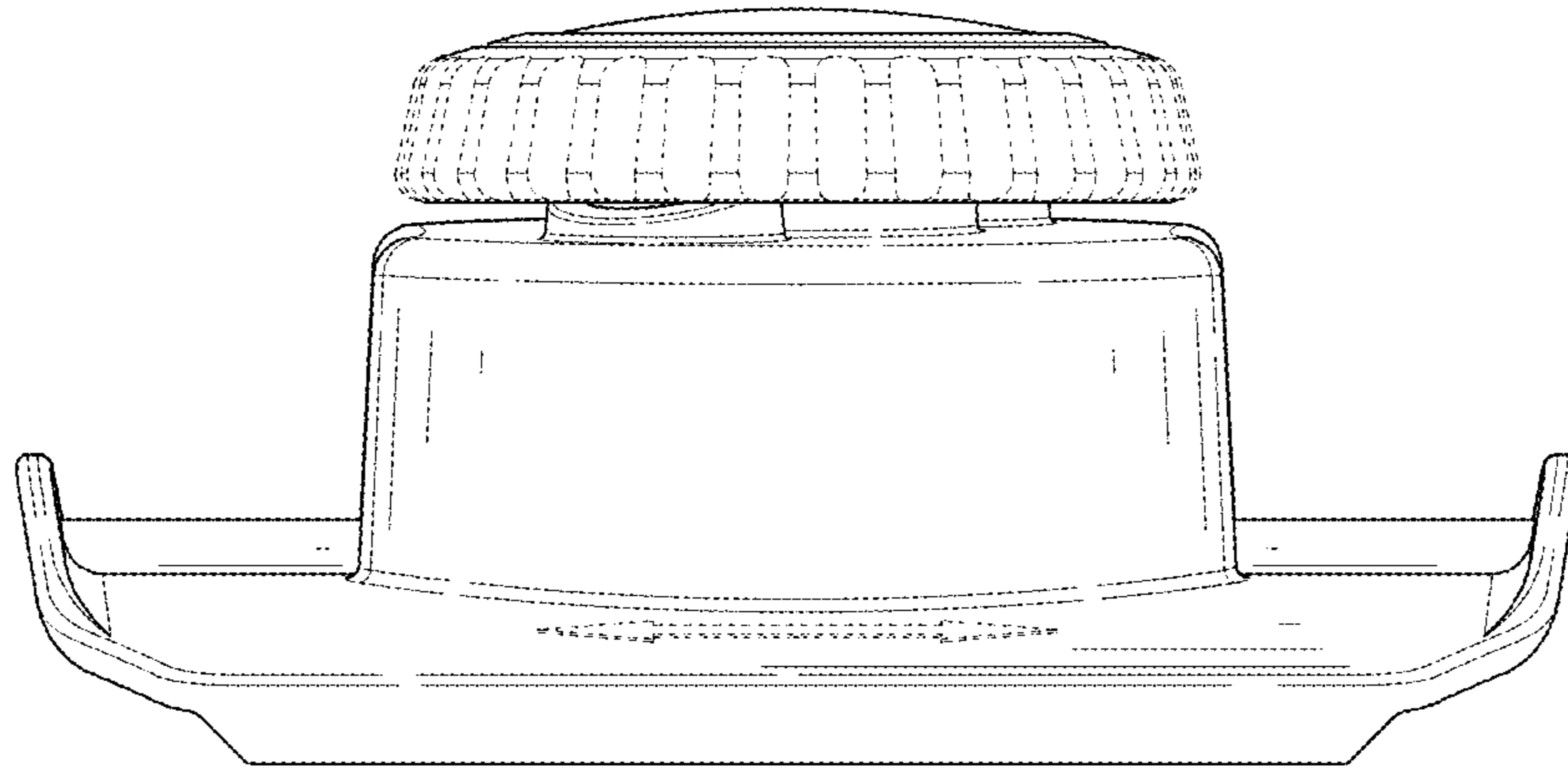


FIG. 5

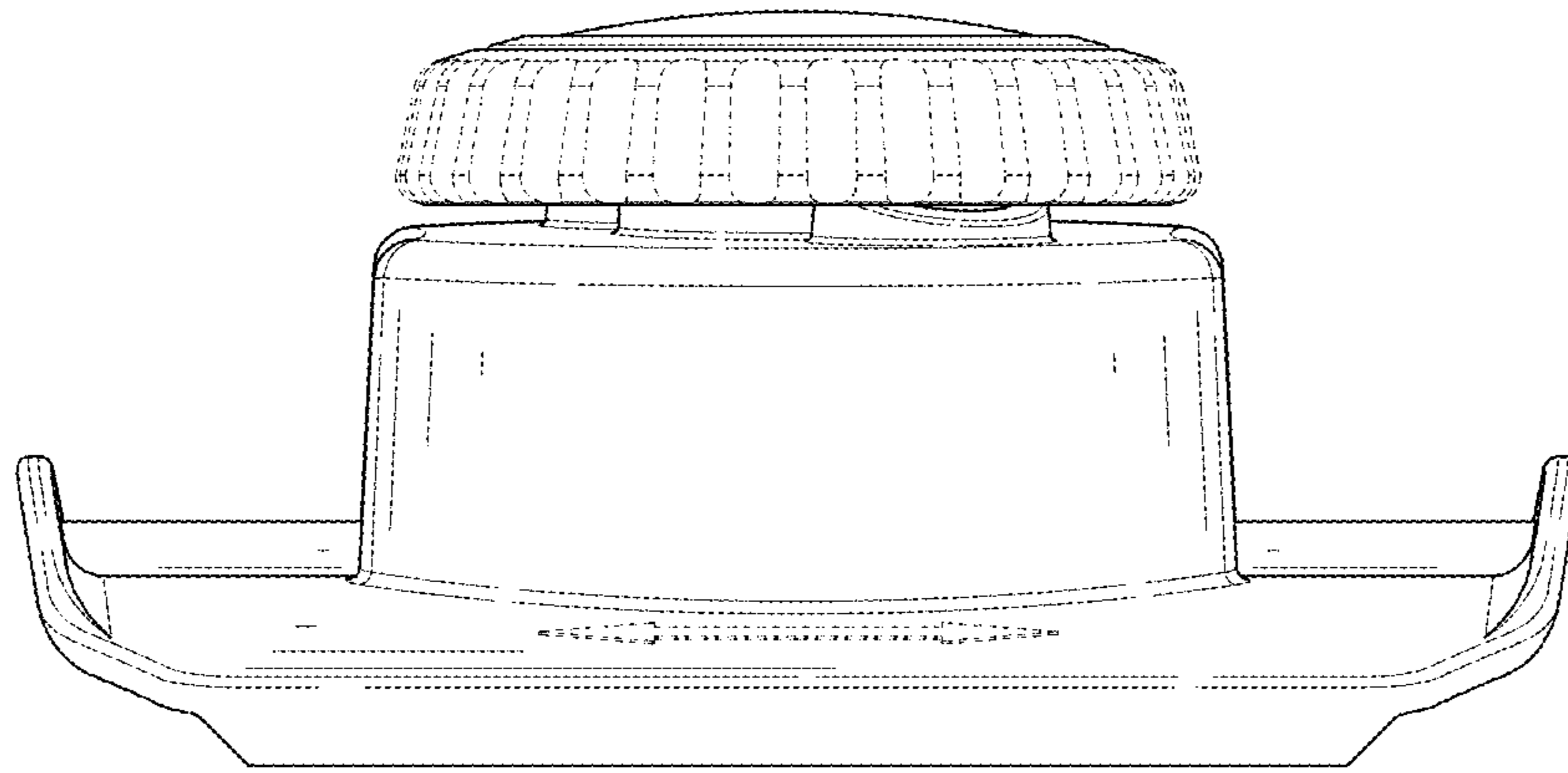


FIG. 6

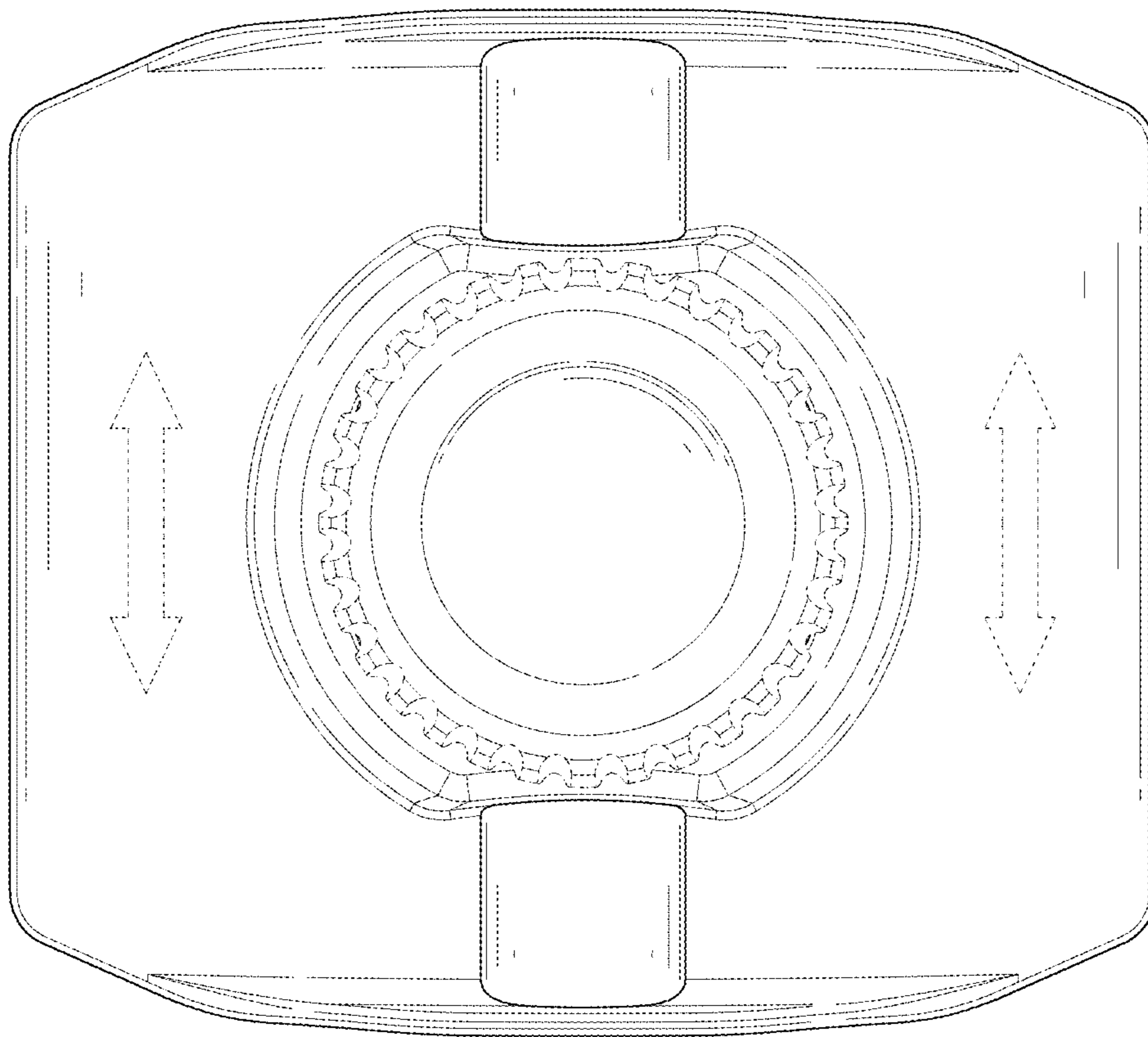


FIG. 7

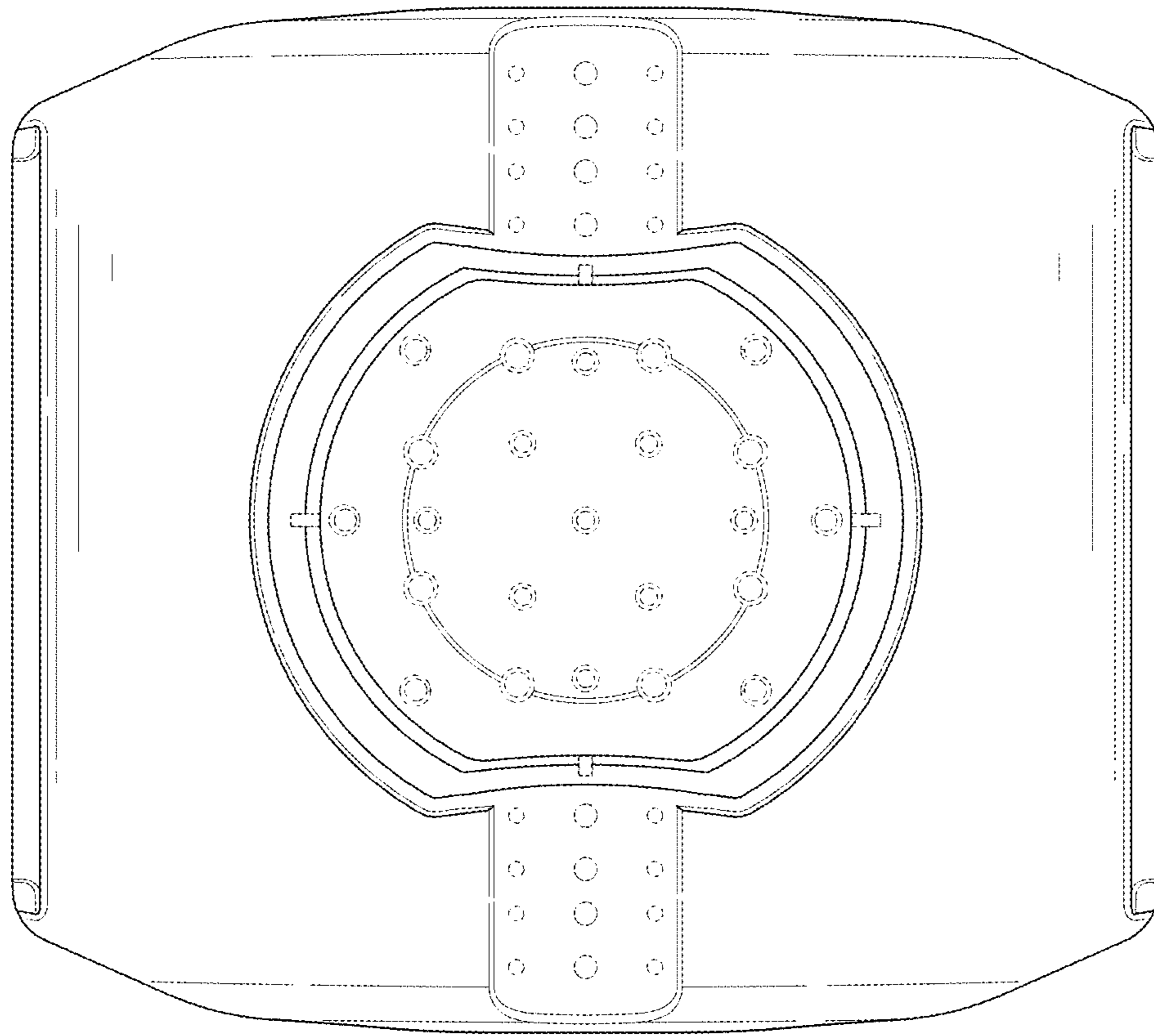


FIG. 8

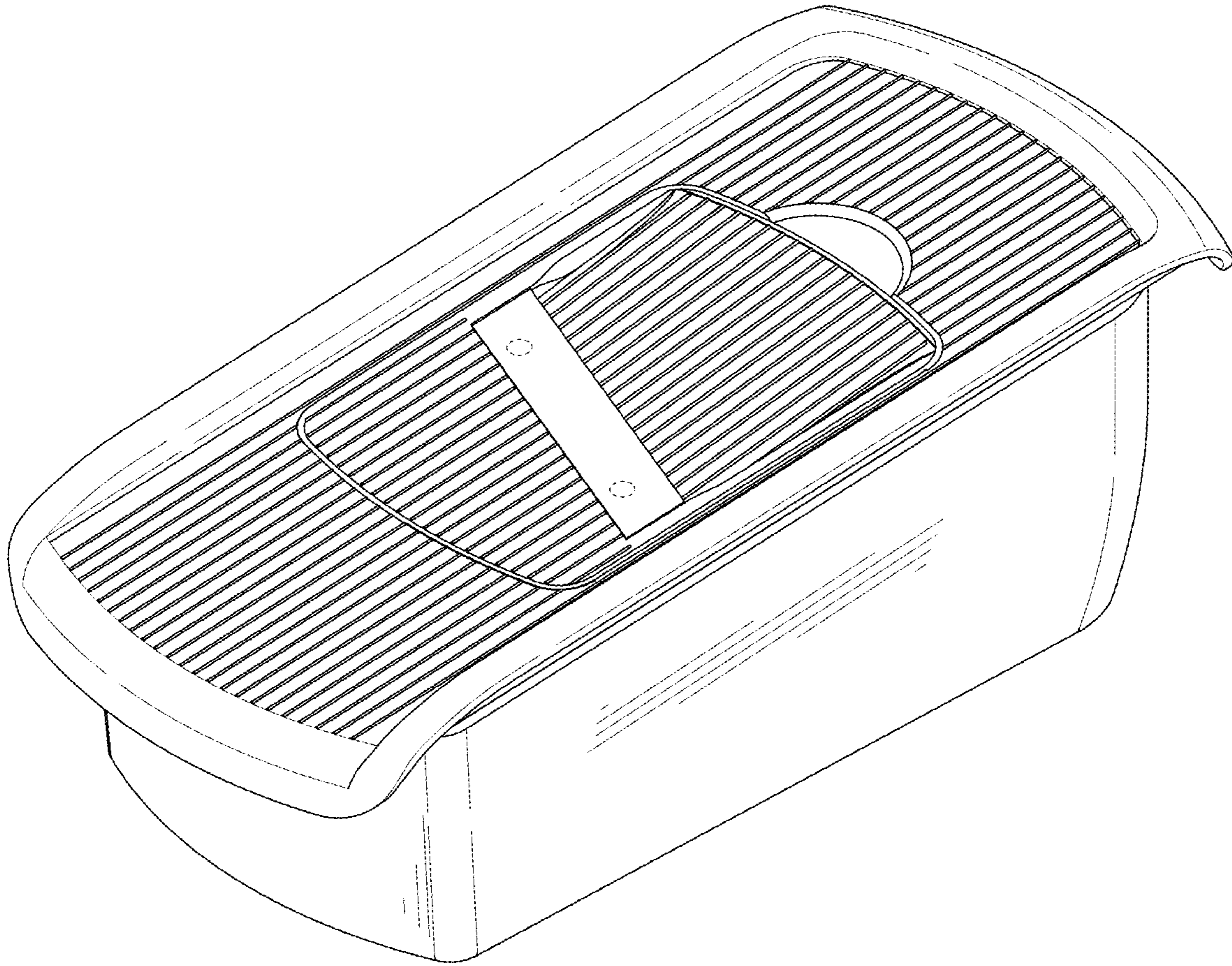


FIG. 9

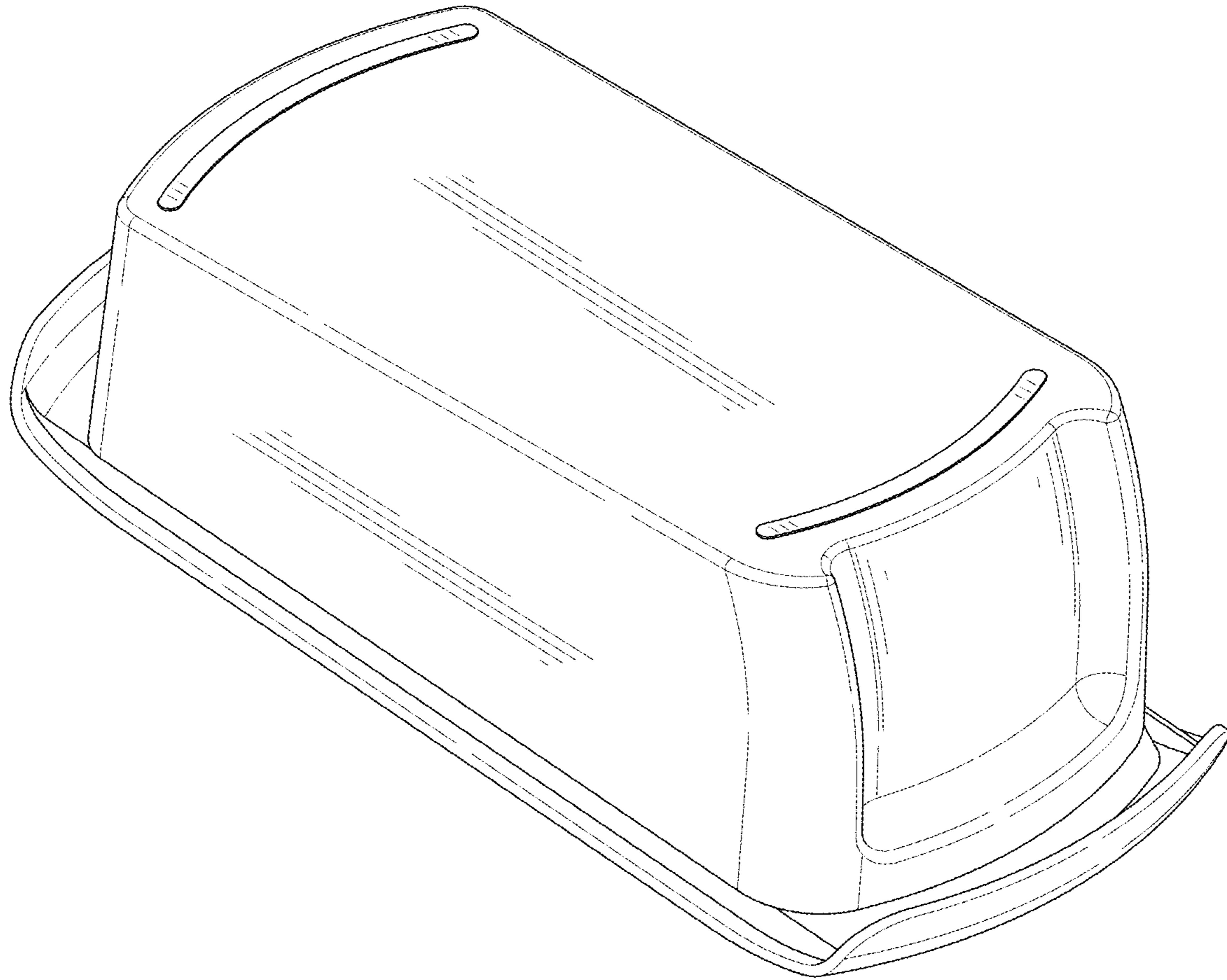


FIG. 10

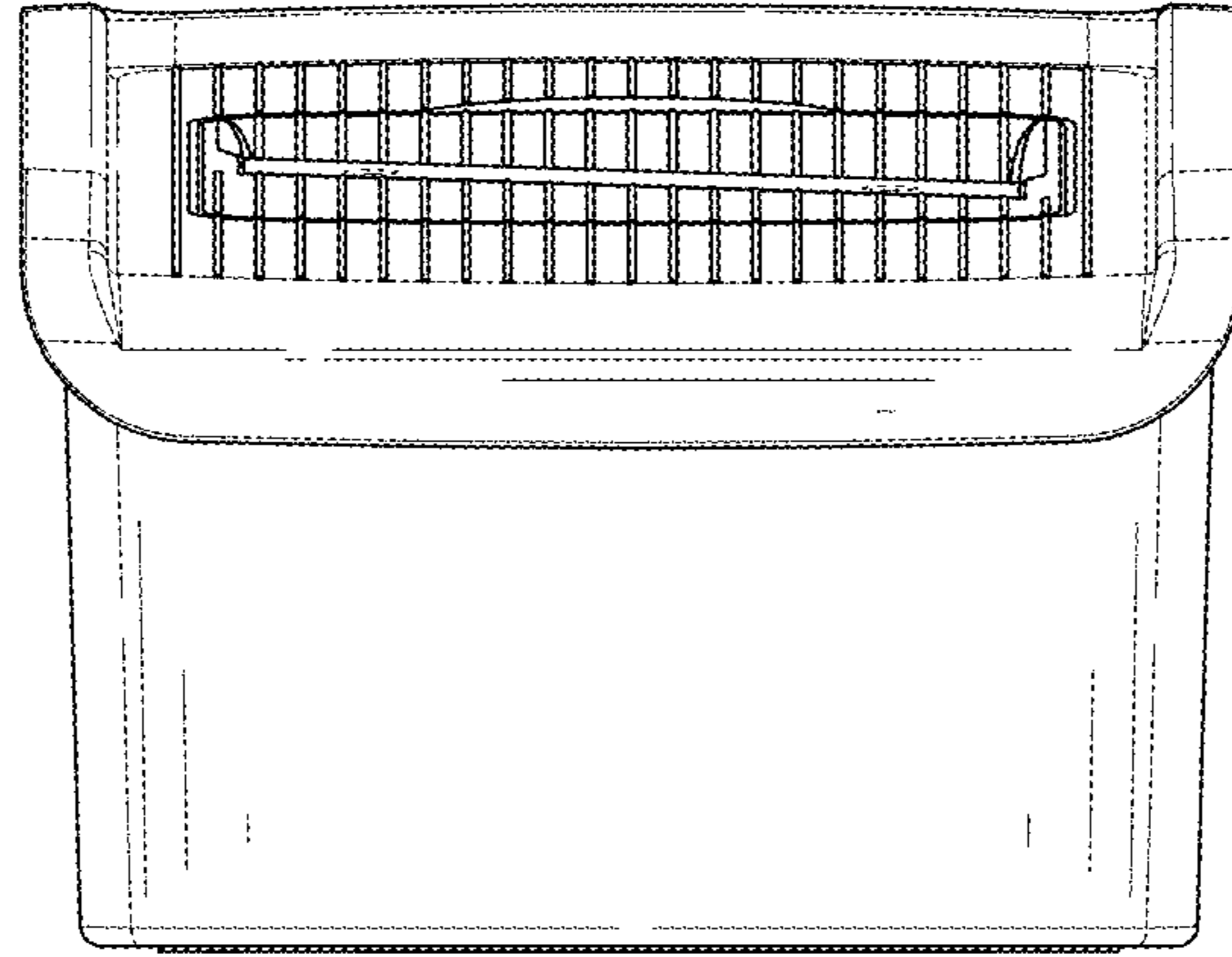


FIG. 11

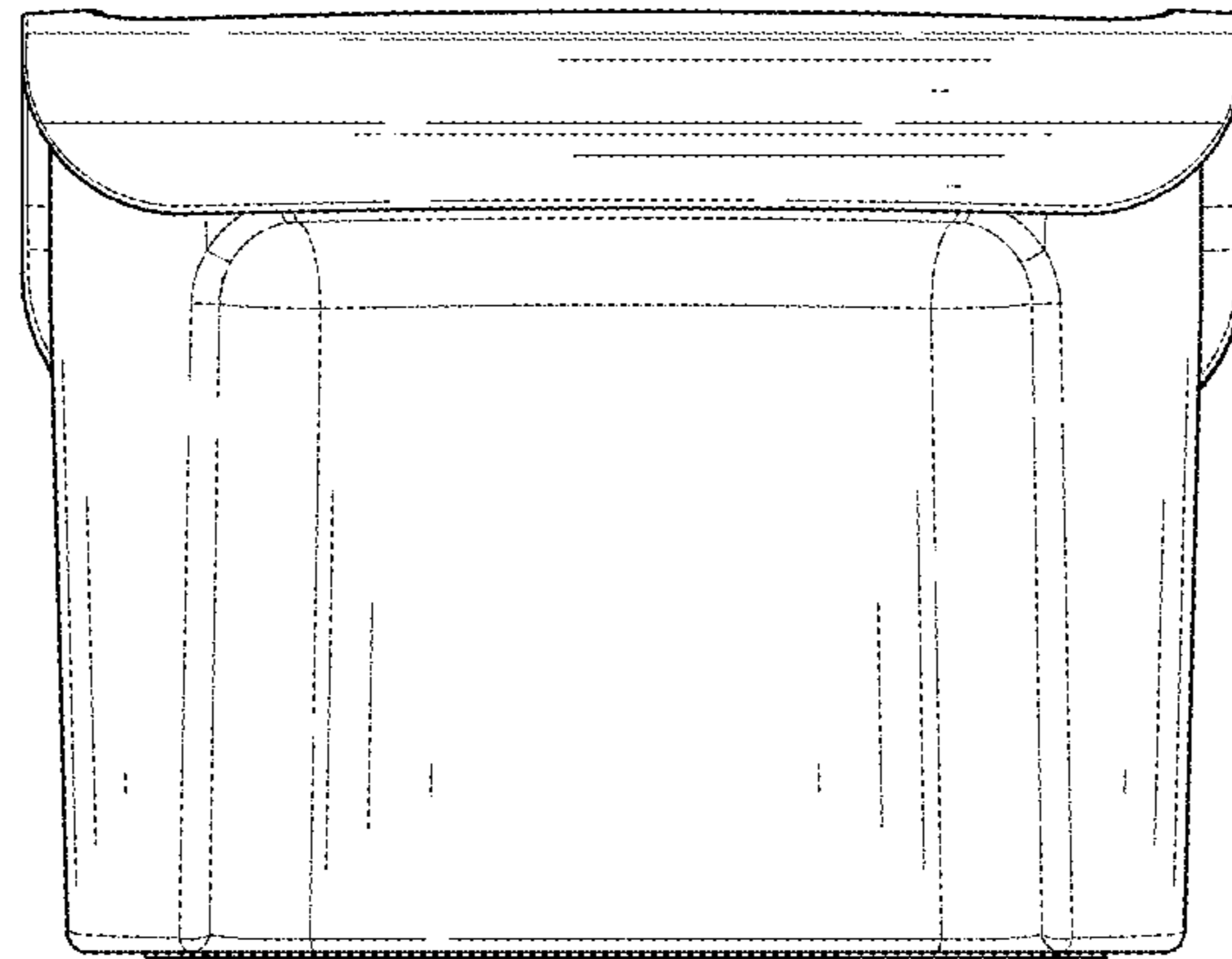


FIG. 12

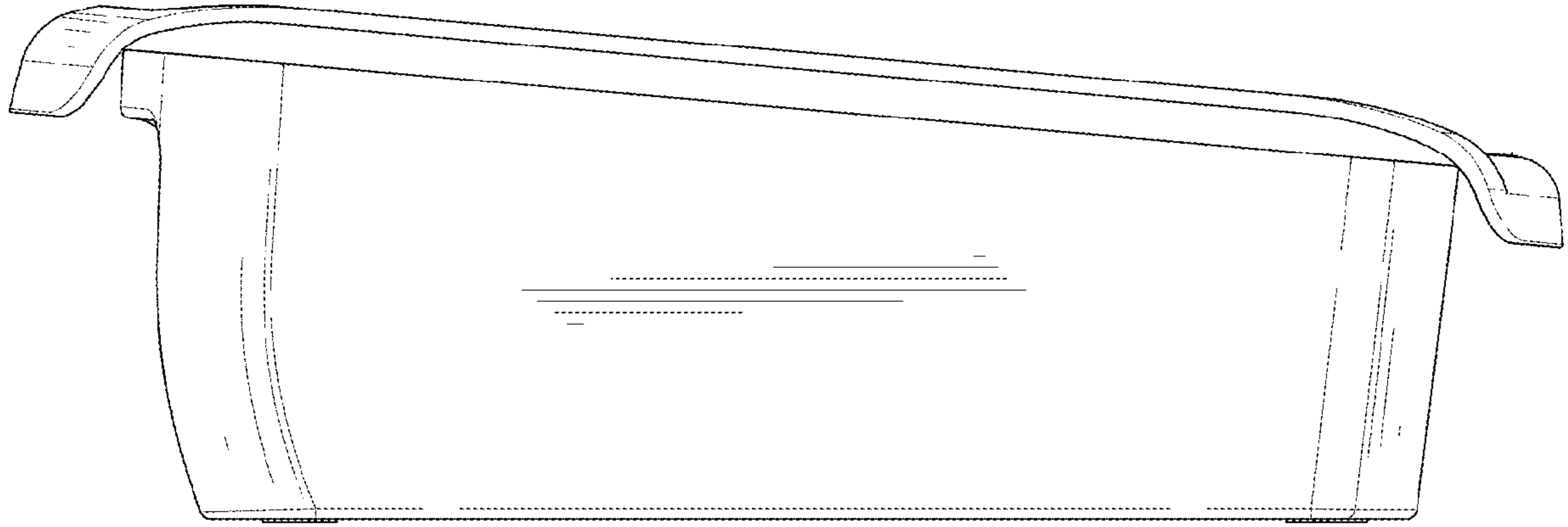


FIG. 13

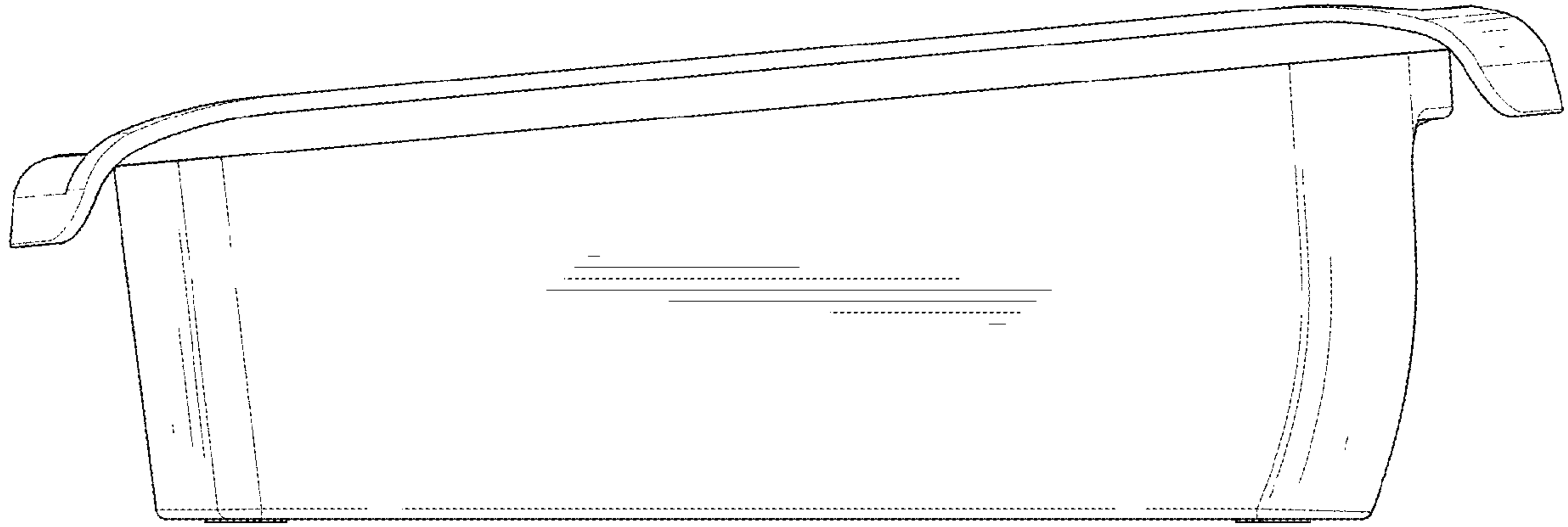


FIG. 14

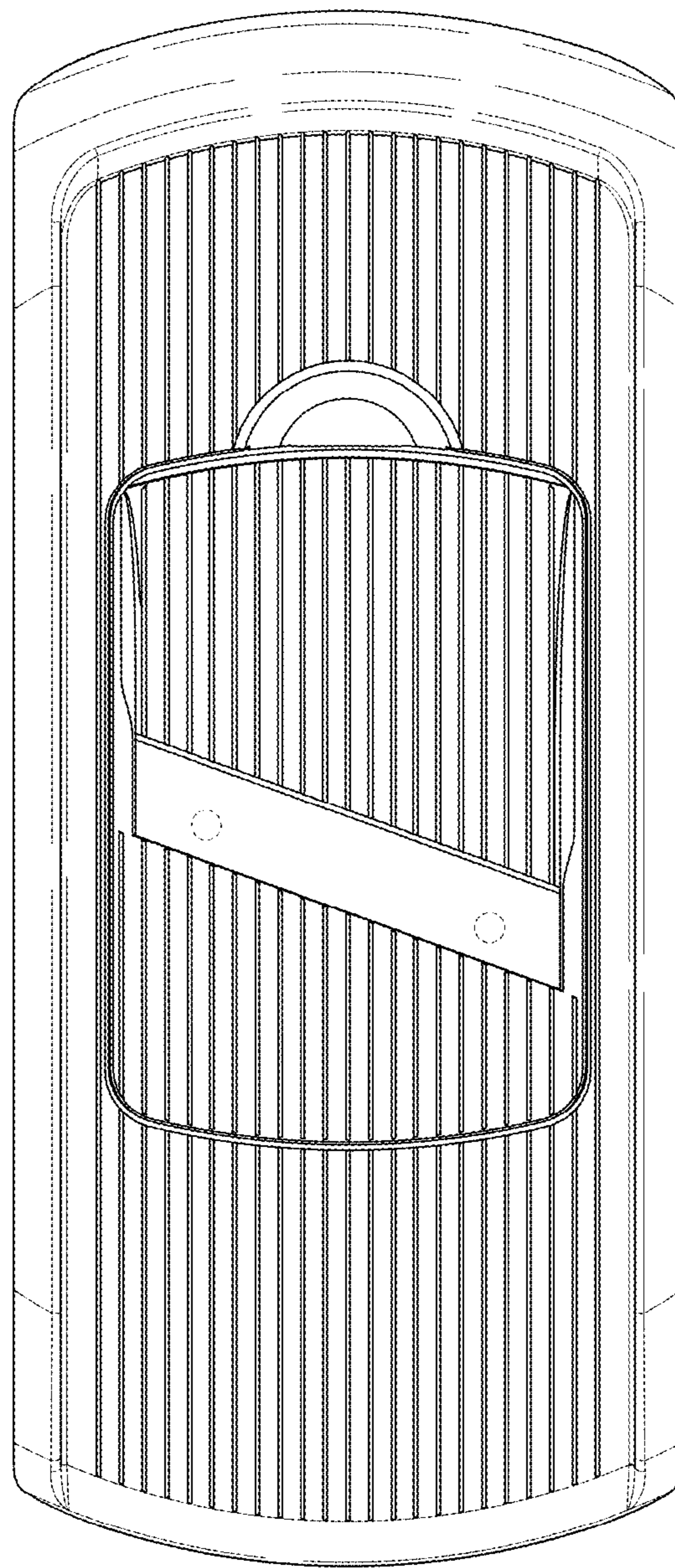


FIG. 15

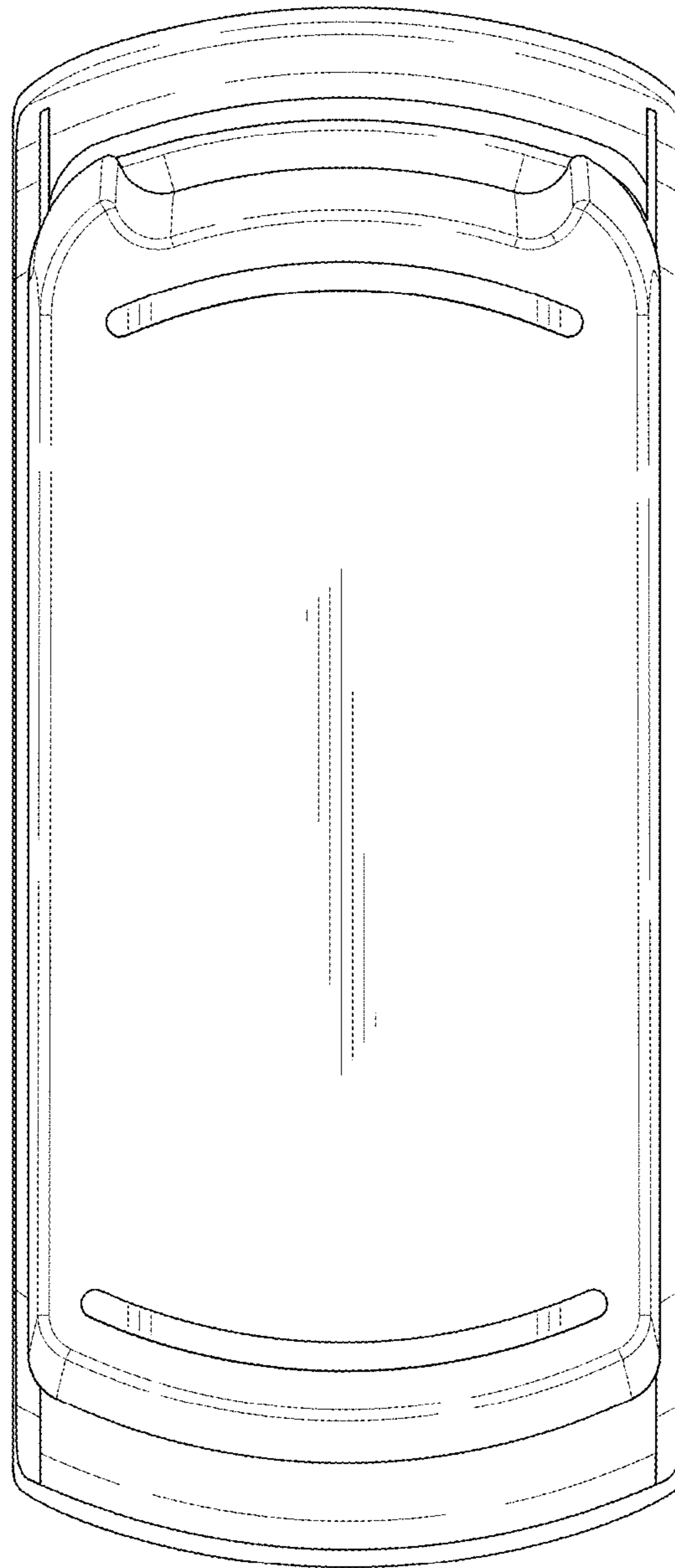


FIG. 16

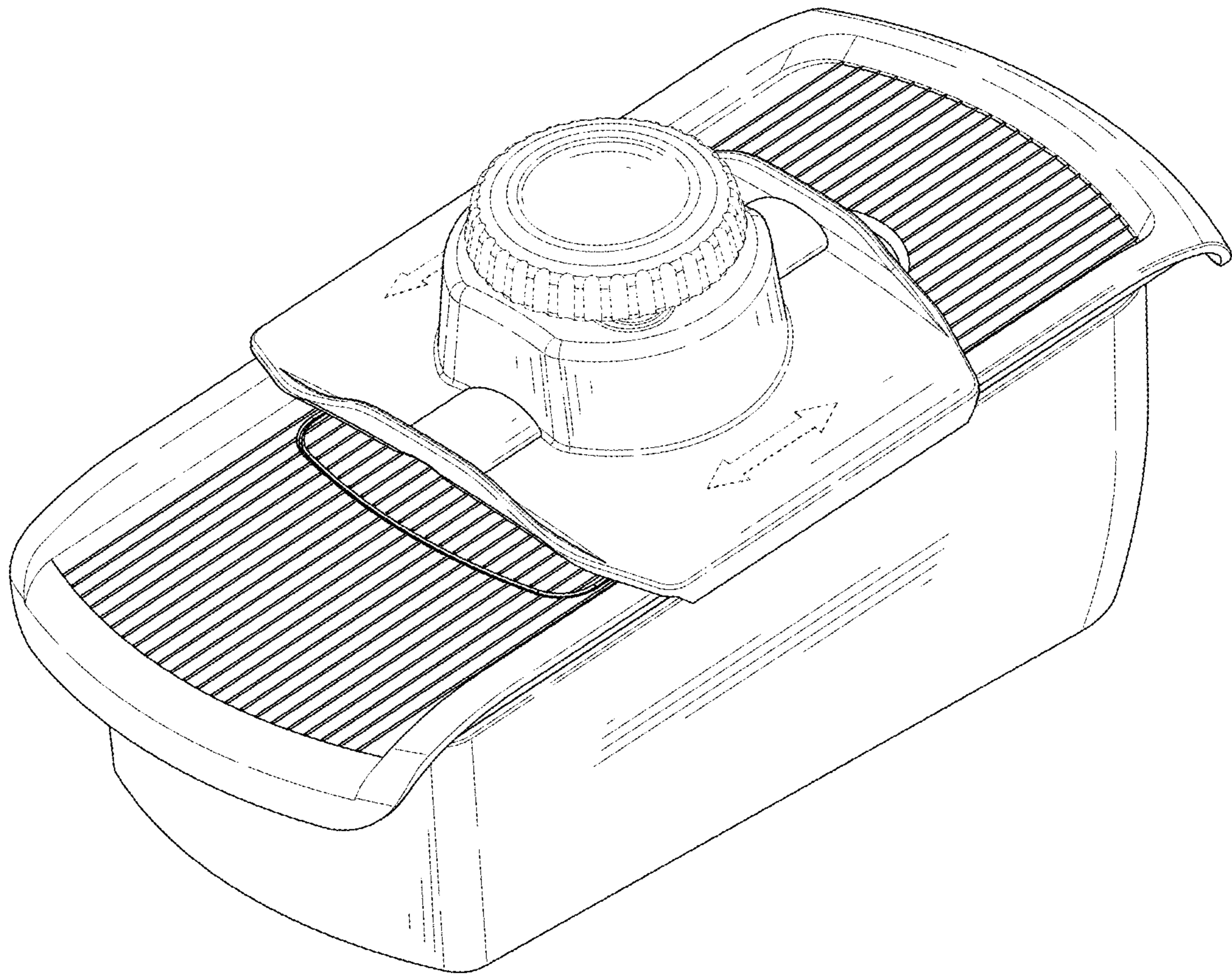


FIG. 17

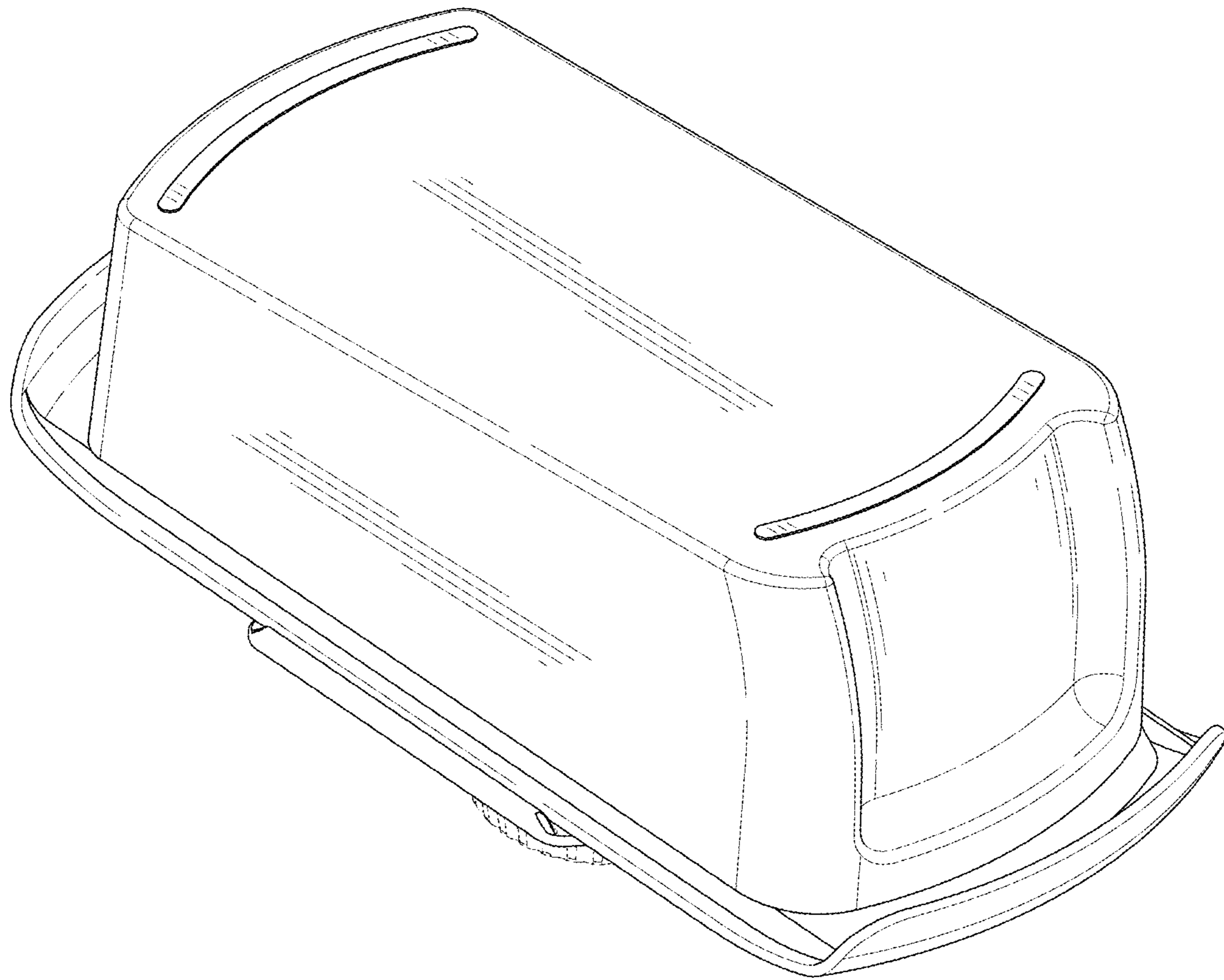


FIG. 18