



US00D930440S

(12) **United States Design Patent** (10) **Patent No.:** **US D930,440 S**
Astle et al. (45) **Date of Patent:** **** Sep. 14, 2021**

(54) **COOLER**

(56) **References Cited**

(71) Applicant: **LIFETIME PRODUCTS, INC.**,
Clearfield, UT (US)
(72) Inventors: **Robert A. Astle**, Kaysville, UT (US);
Allen Keetch, South Weber, UT (US)
(73) Assignee: **Lifetime Products, Inc.**, Clearfield, UT
(US)
(**) Term: **15 Years**
(21) Appl. No.: **29/652,414**
(22) Filed: **Aug. 10, 2020**

U.S. PATENT DOCUMENTS

D281,695 S * 12/1985 Ryan, Jr. D7/605
4,592,482 A * 6/1986 Seager A45C 11/20
220/318
D325,323 S * 4/1992 Kahl D7/605
D354,419 S * 1/1995 Kahl D7/605
D374,772 S * 10/1996 Hotaling D3/273
D429,966 S * 8/2000 Israel D7/605
D451,765 S * 12/2001 Israel D7/605
D566,479 S * 4/2008 Kabalin D3/273
D806,483 S 1/2018 Stanford
D816,425 S 5/2018 Stanford
D851,462 S 6/2019 Stanford
D891,193 S 7/2020 Stanford

(Continued)

OTHER PUBLICATIONS

U.S. Appl. No. 29/730,693, filed Apr. 7, 2020.

(Continued)

Primary Examiner — Terry A Wallace

(74) *Attorney, Agent, or Firm* — Maschoff Brennan

(57) **CLAIM**

The ornamental design for a cooler, as shown and described.

DESCRIPTION

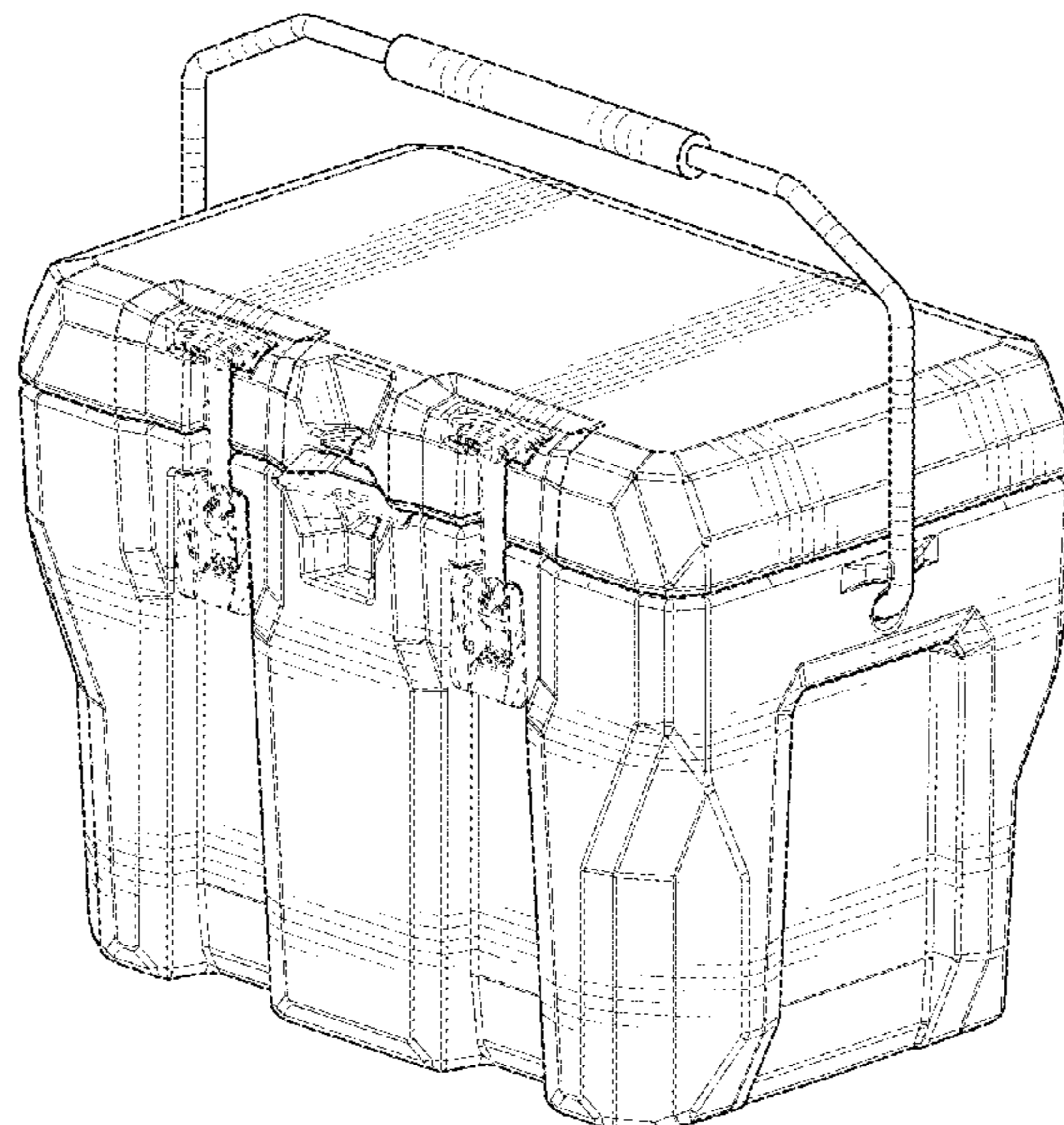
FIG. 1 is an upper perspective view of an embodiment of a cooler;
FIG. 2 is a lower perspective view of the cooler shown in FIG. 1;
FIG. 3 is a front view of the cooler shown in FIG. 1;
FIG. 4 is a rear view of the cooler shown in FIG. 1;
FIG. 5 is a left side view of the cooler shown in FIG. 1;
FIG. 6 is a right side view of the cooler shown in FIG. 1;
FIG. 7 is a top view of the cooler shown in FIG. 1; and,
FIG. 8 is a bottom view of the cooler shown in FIG. 1.
The broken lines are for illustrative purposes only and form no part of the claimed design.

Related U.S. Application Data

(63) Continuation of application No. 29/644,448, filed on
Apr. 17, 2018, now Pat. No. Des. 892,565.
(51) **LOC (13) Cl.** **07-01**
(52) **U.S. Cl.**
USPC **D7/605**
(58) **Field of Classification Search**
USPC D7/605–607, 709, 710; D3/283, 289,
D3/301, 272–274, 201, 203.1–203.8
CPC F25D 3/08; F25D 3/02; F25D 3/04; F25D
3/06; F25D 3/14; F25D 3/107; F25D
2331/804; F25D 2331/801; B65D 81/38;
B65D 81/3813; B65D 81/3816; B65D
81/3818; B65D 81/382; B65D 81/3823;
B65D 81/3825; B65D 81/3827; B65D
81/383; B65D 81/3832; B65D 81/3834;
B65D 81/3848; B65D 81/3851; B65D
81/3853; B65D 81/3855; B65D 81/3858;
B65D 81/386; B65D 81/3862; A45C
11/20; A45C 3/00

See application file for complete search history.

1 Claim, 7 Drawing Sheets



(56)

References Cited

U.S. PATENT DOCUMENTS

D891,194 S 7/2020 Stanford
D892,565 S 8/2020 Astle
D904,129 S 12/2020 Astle

OTHER PUBLICATIONS

U.S. Appl. No. 29/713,735, filed Nov. 18, 2019.
U.S. Appl. No. 29/688,014, filed Apr. 17, 2019.
U.S. Appl. No. 29/744,331, filed Jul. 28, 2020.
U.S. Appl. No. 29/744,333, filed Jul. 28, 2020.
U.S. Appl. No. 29/744,331, Restriction Requirement dated Feb. 2,
2021.
U.S. Appl. No. 29/744,333, Restriction Requirement dated Feb. 2,
2021.

* cited by examiner

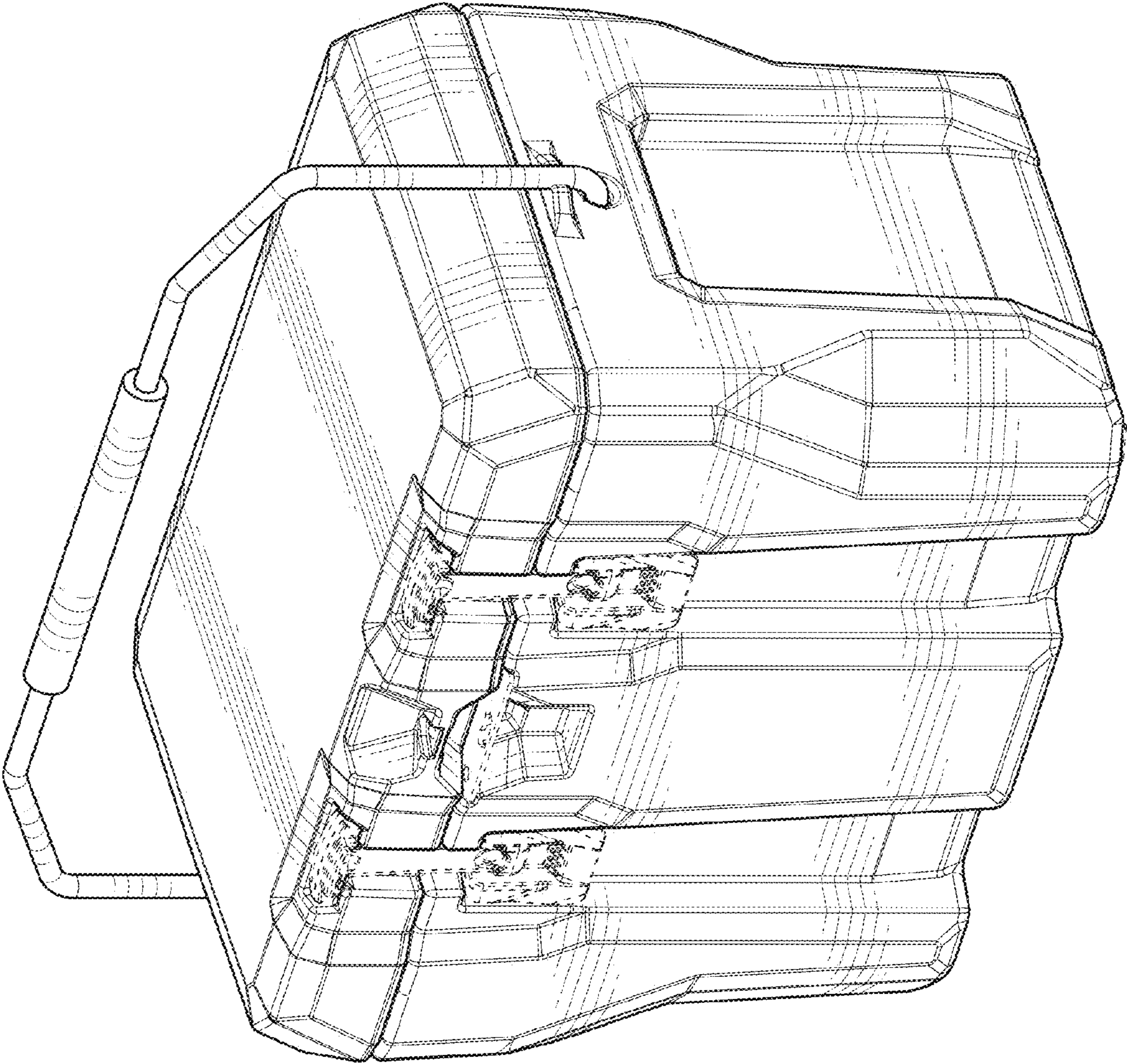


FIG. 1

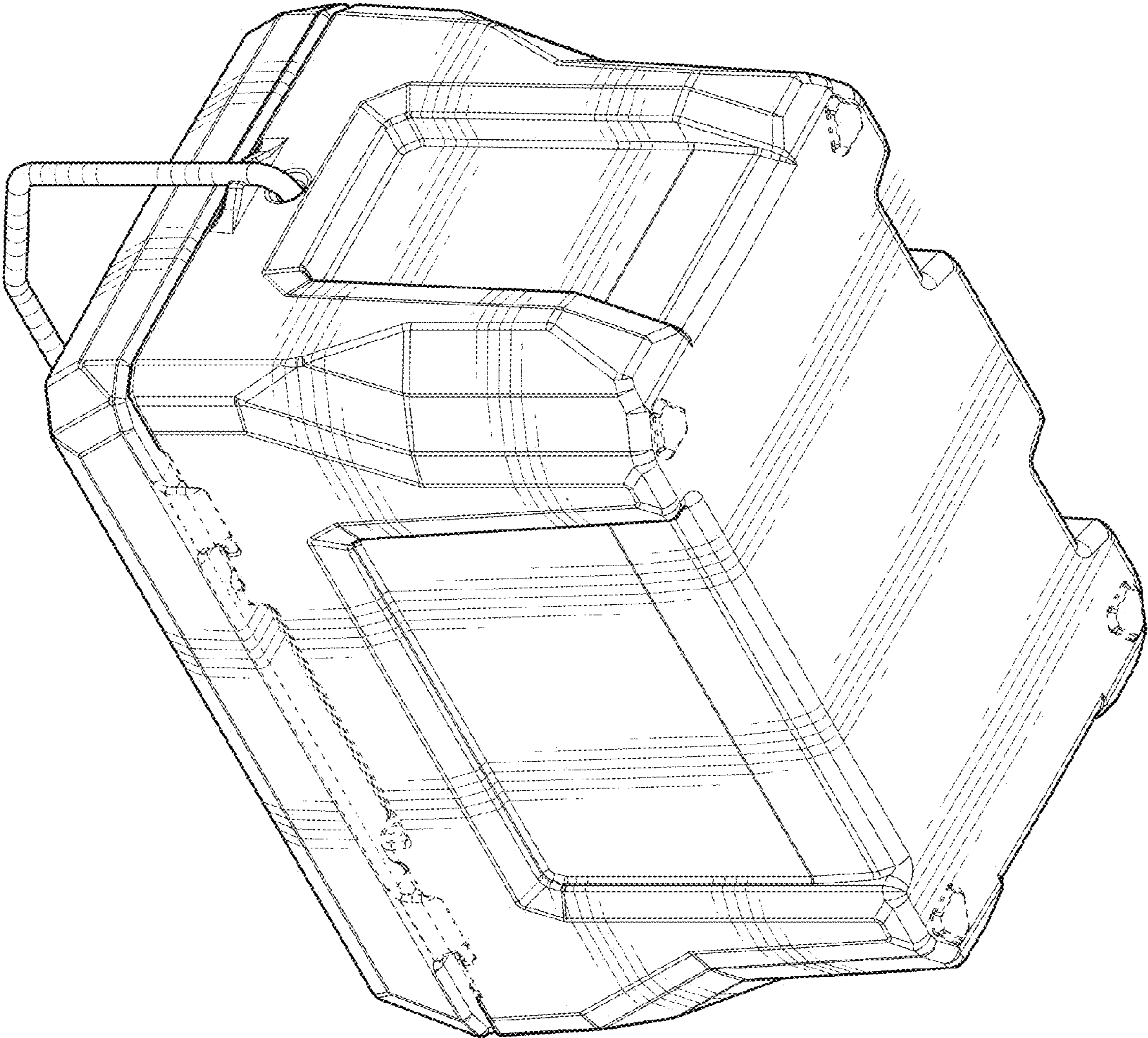


FIG. 2

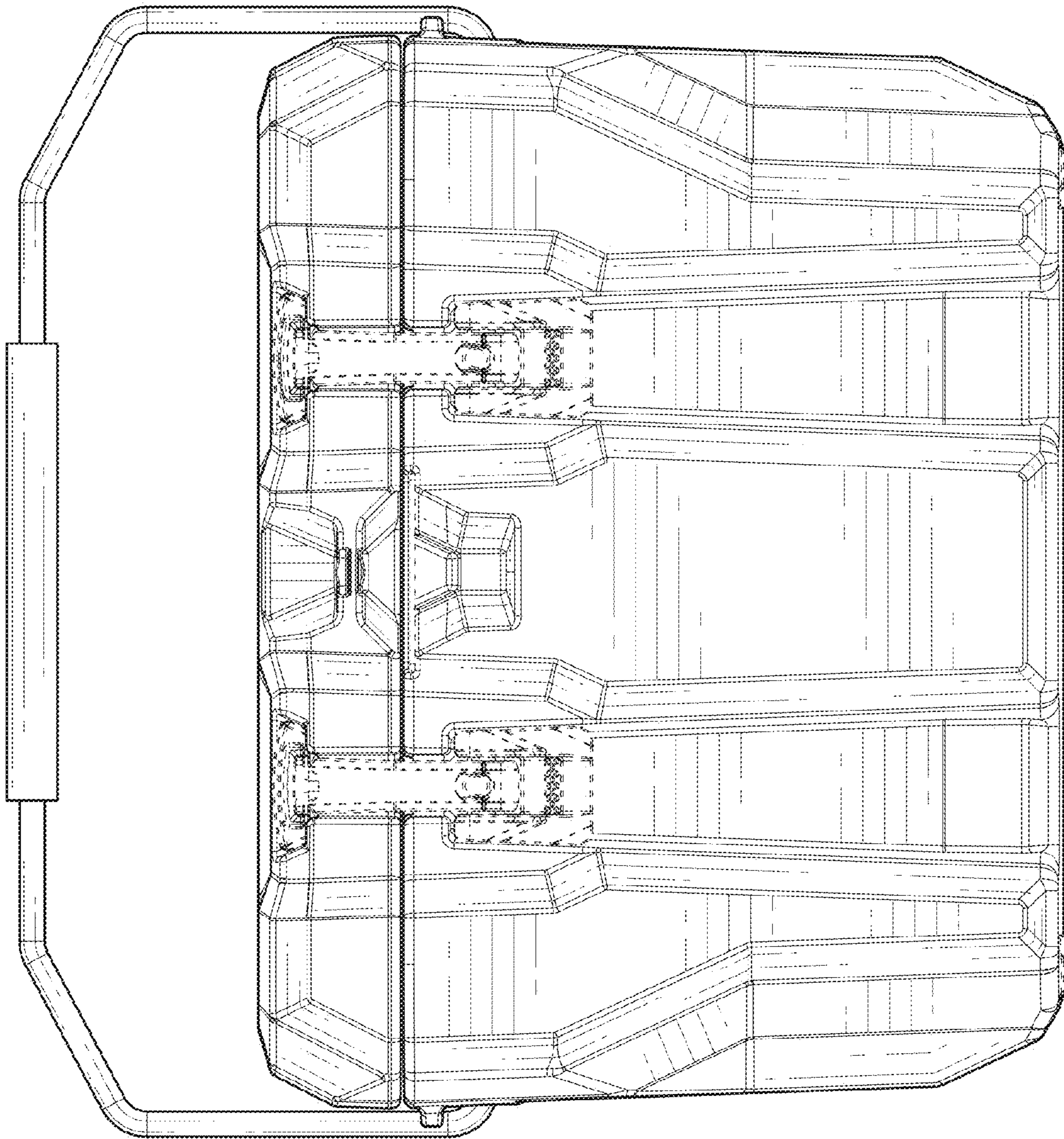


FIG. 3

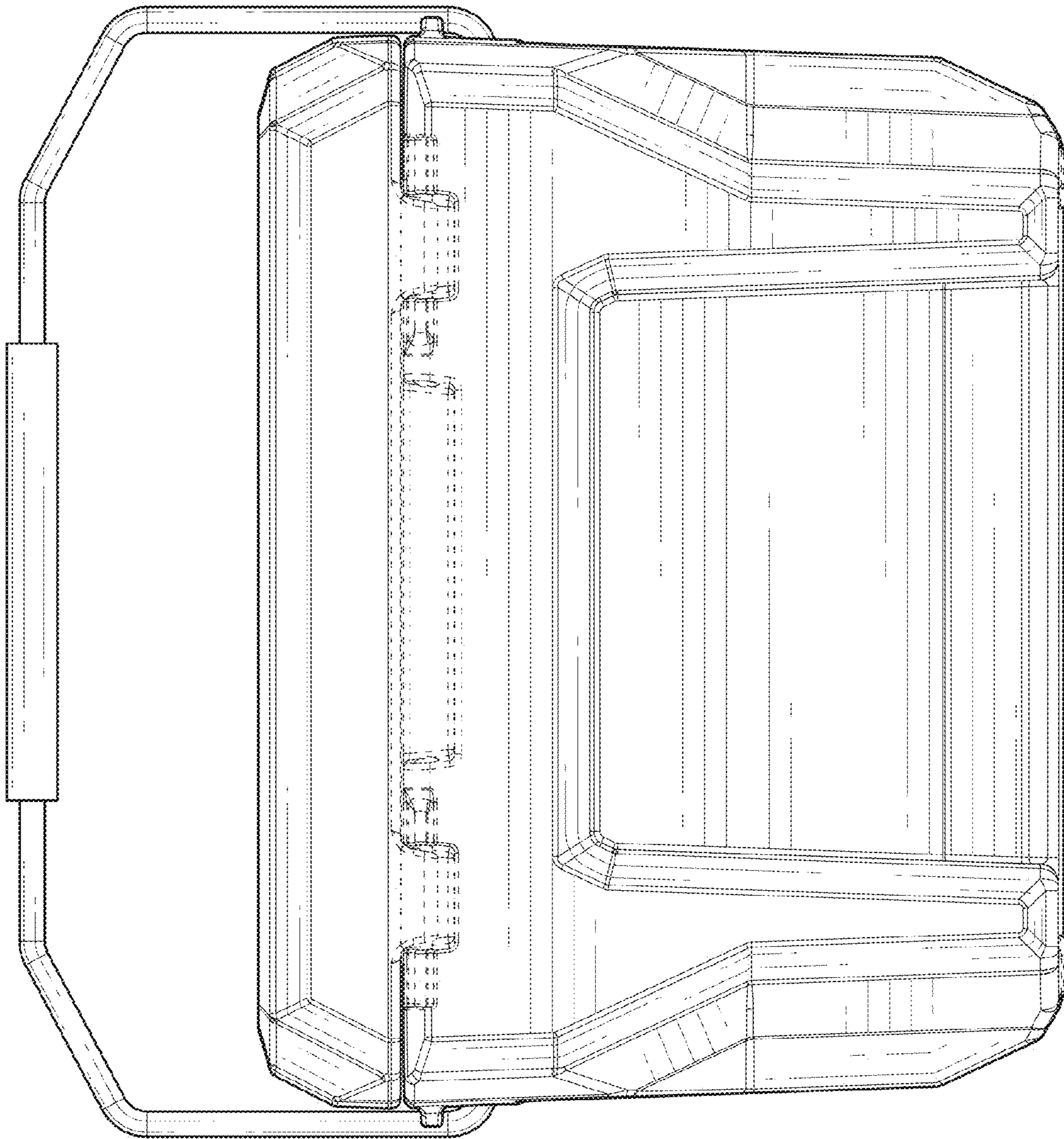


FIG. 4

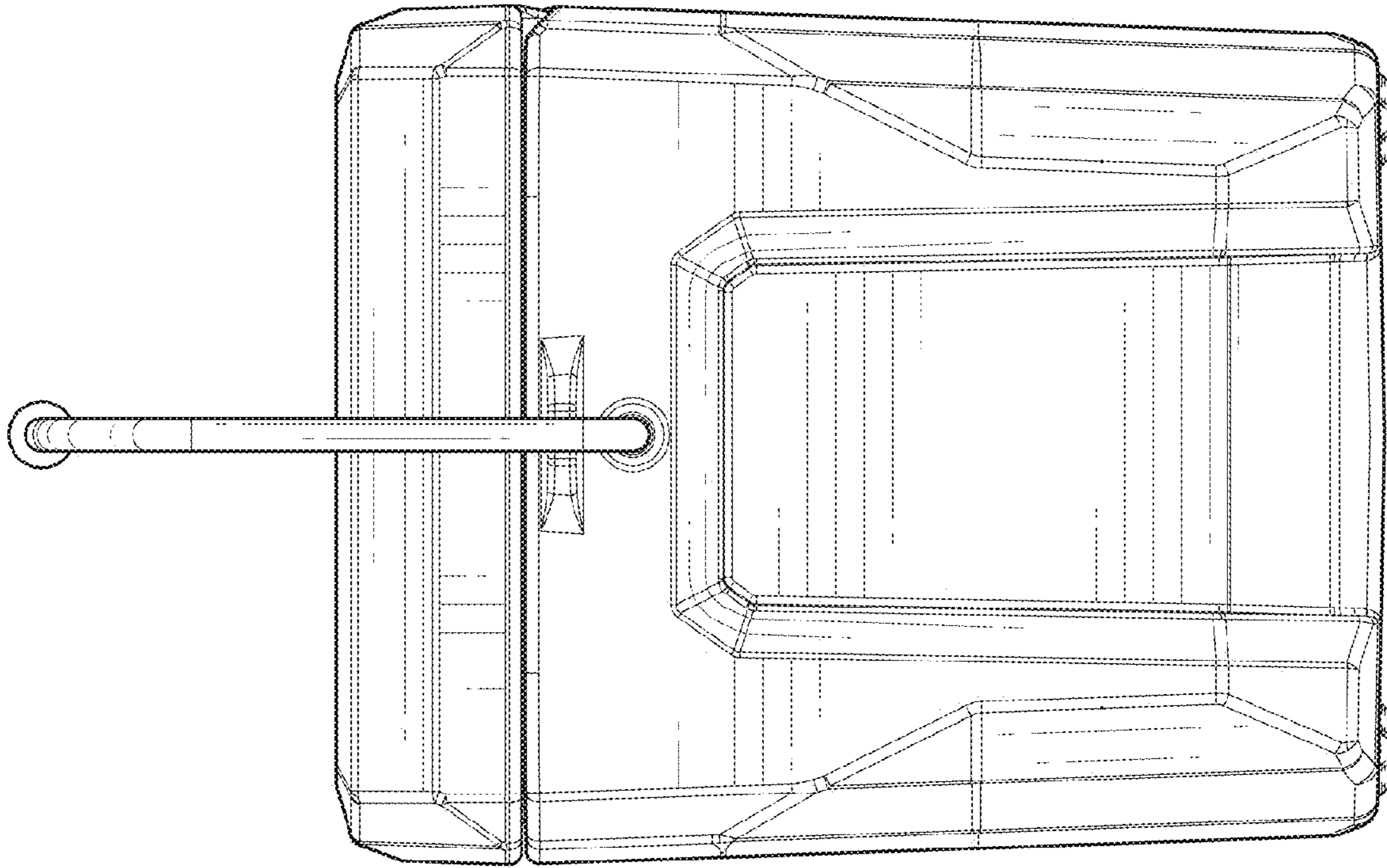


FIG. 6

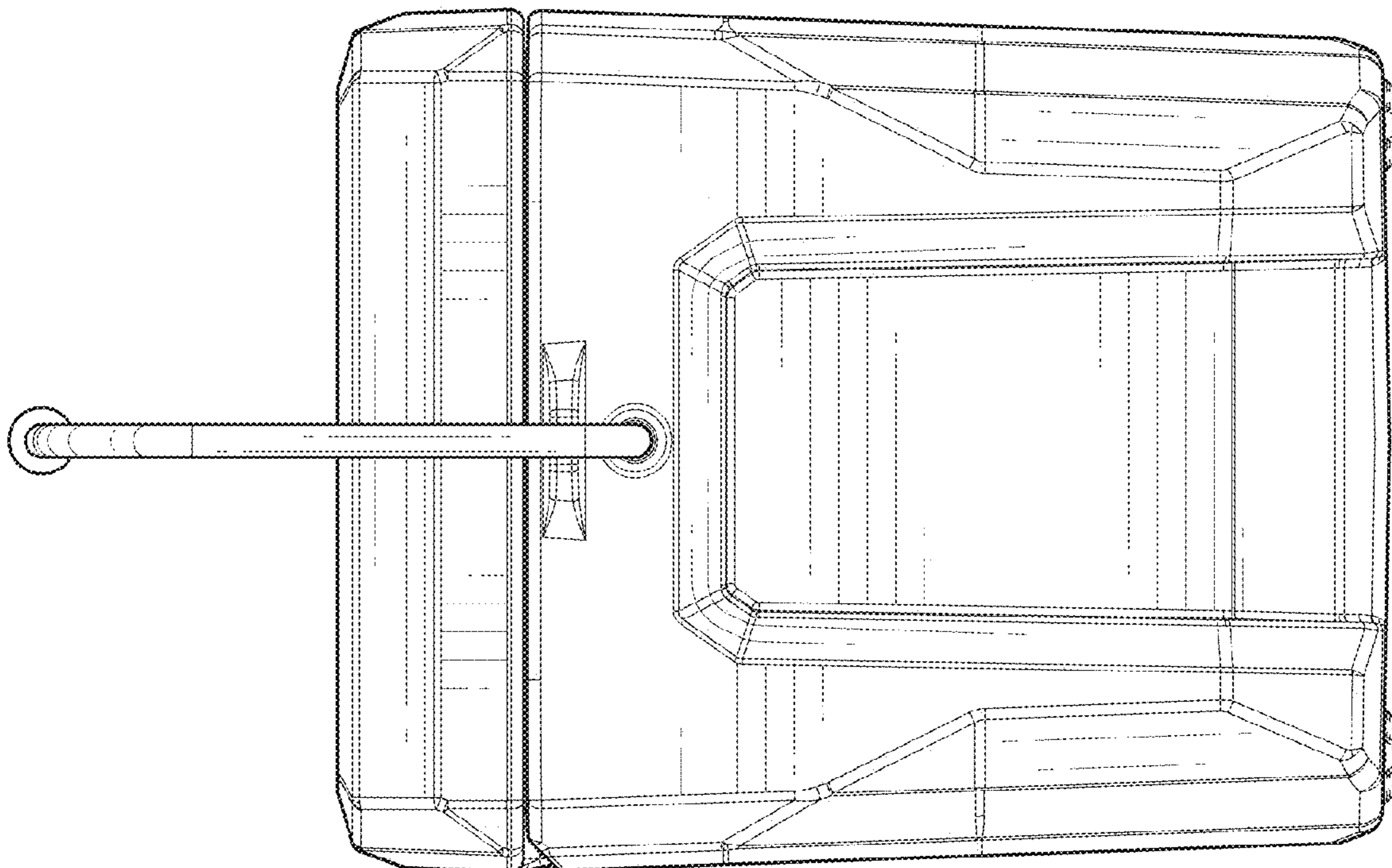


FIG. 5

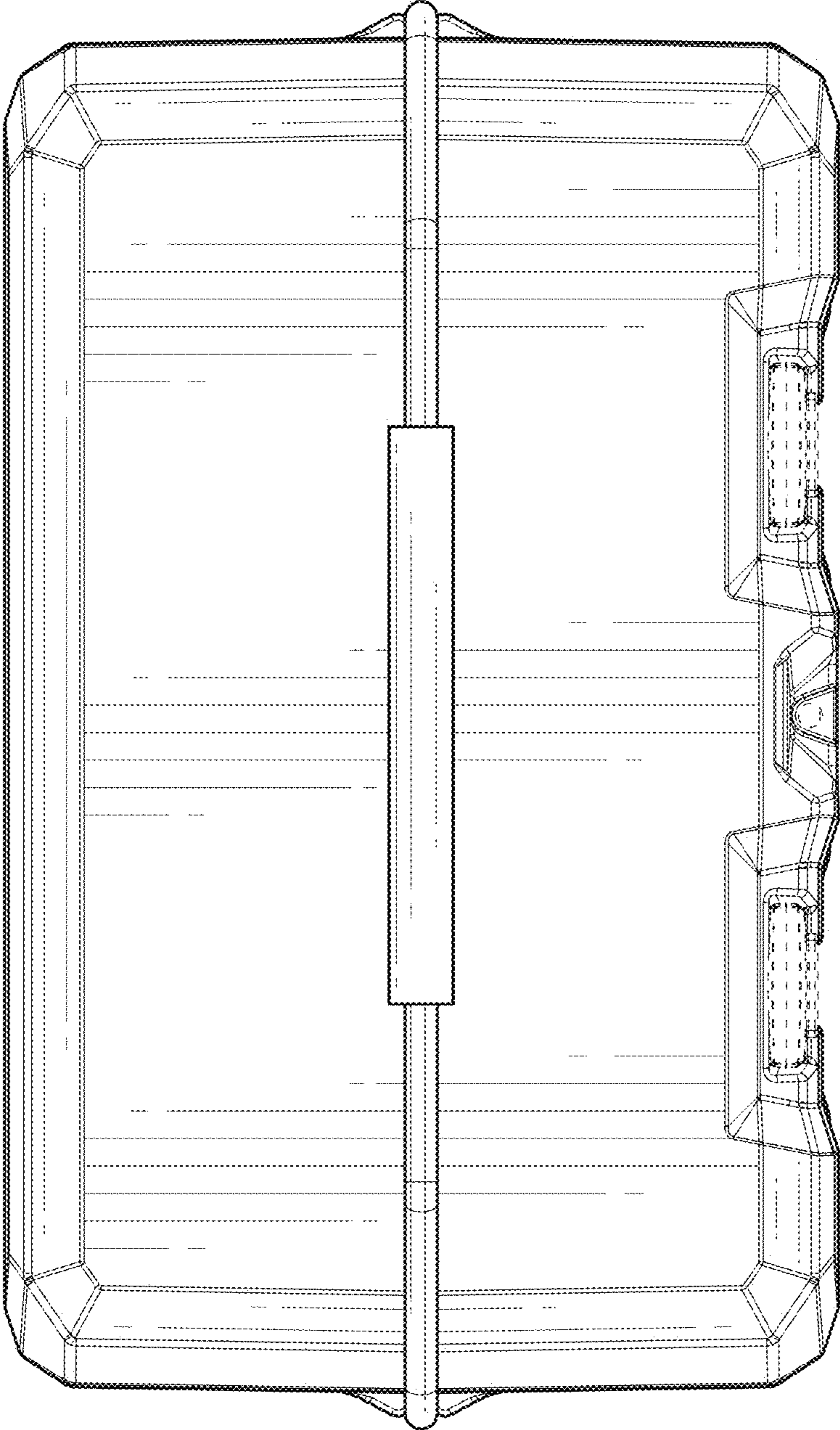


FIG. 7

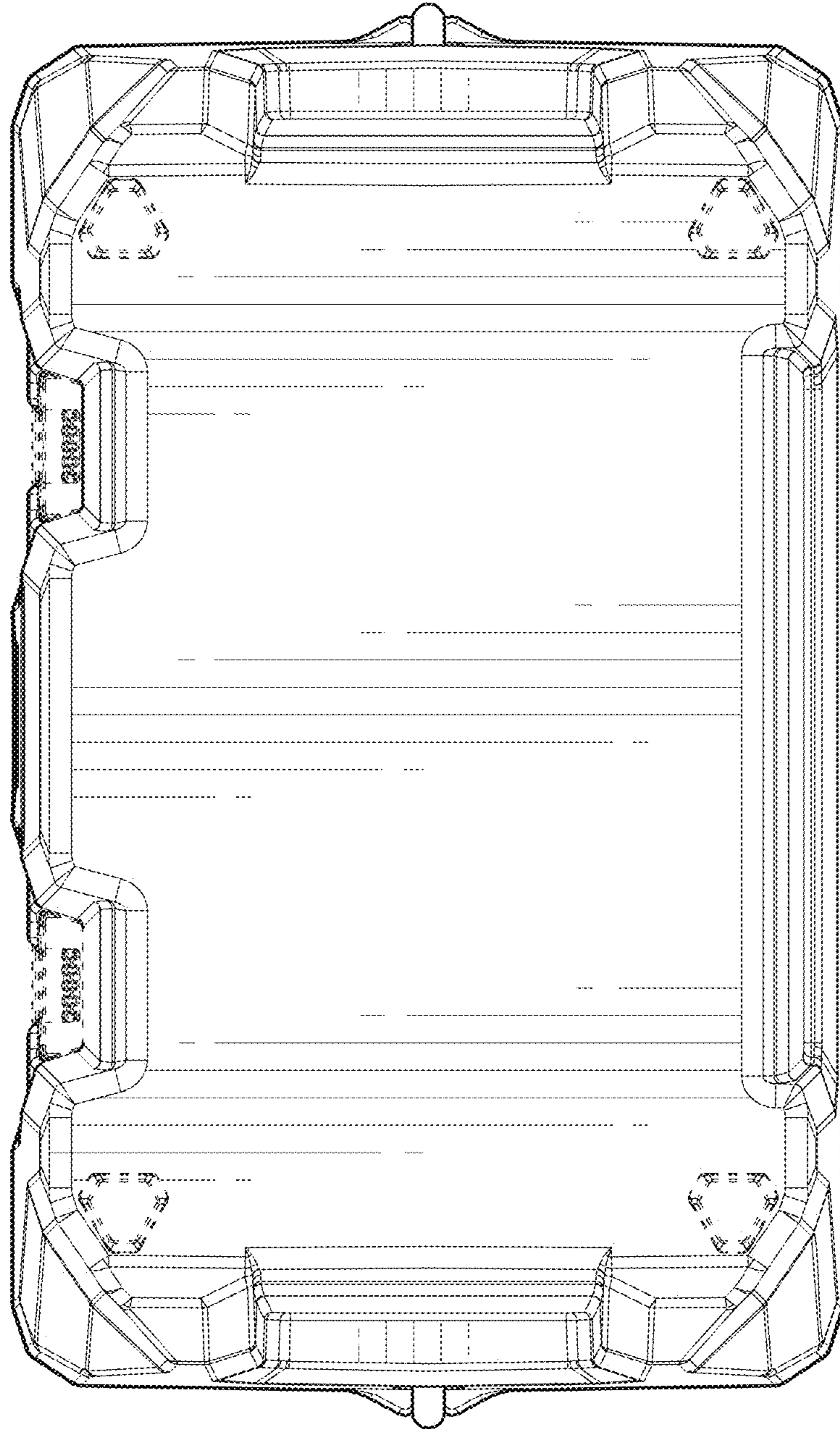


FIG. 8