



US00D930438S

(12) **United States Design Patent** (10) **Patent No.:** **US D930,438 S**
Zhang (45) **Date of Patent:** **** Sep. 14, 2021**

(54) **WATER BOTTLE WITH NOZZLE**
(71) Applicant: **Bo Zhang**, Gong County (CN)
(72) Inventor: **Bo Zhang**, Gong County (CN)
(**) Term: **15 Years**

D799,320 S * 10/2017 Goodwin D7/392.1
D814,855 S * 4/2018 Hammer D7/392.1
D849,482 S * 5/2019 Diener D7/510
D862,985 S * 10/2019 Backs D7/511
D871,144 S * 12/2019 Zhang D7/510
D872,522 S * 1/2020 Diener D7/392.1

(Continued)

(21) Appl. No.: **29/684,561**
(22) Filed: **Mar. 22, 2019**
(51) **LOC (13) Cl.** **07-01**
(52) **U.S. Cl.**
USPC **D7/511**; D7/536
(58) **Field of Classification Search**
USPC D7/300, 300.1, 392, 392.1, 396.1, 396.2,
D7/413, 507, 509-511, 513, 514-516,
D7/519, 523, 528, 532, 533, 536-538,
D7/584, 591, 619.1, 628, 629, 900;
D9/434-436, 439-441, 449, 500-504,
D9/516, 520, 522, 530, 535, 537, 539,
D9/540, 542, 544, 549-551, 554,
D9/564-566, 560, 572-575, 600, 608,
D9/655-664, 772, 777
CPC A47G 23/0216; A47G 23/0241; A47G
23/0258; A47G 19/2205; A47G 19/22;
A47G 19/2211; A47G 19/2227; A47G
19/2255; A47G 19/2266; A47G 19/2272;
A47G 19/2288; B65D 2543/00231; B65D
21/0219; B65D 50/061; B65D 77/00;
B65D 2203/00; B65D 39/0058; B65D
39/02; B65D 39/06; B65D 39/14; A47J
43/042; A47J 43/27; B65B 7/2821; B65B
7/2828

See application file for complete search history.

(56) **References Cited**

U.S. PATENT DOCUMENTS

D649,879 S * 12/2011 Gullickson D9/450
D653,113 S * 1/2012 Yourist D9/531
D694,627 S * 12/2013 Sultan D9/500
D762,119 S * 7/2016 Thibodeau D9/516

FOREIGN PATENT DOCUMENTS

CA 180105 * 12/2018
JP D1619569 * 12/2018

OTHER PUBLICATIONS

Hydrology LLC, "Hydrology Insulated Water Bottle with Straw,"
Nov. 8, 2016, Amazon.com, www.amazon.com/dp/B07SYHP8J8
(Year: 2016).*

(Continued)

Primary Examiner — Janice Patyk
Assistant Examiner — Arva P Adams
(74) *Attorney, Agent, or Firm* — Rumit Ranjit Kanakia

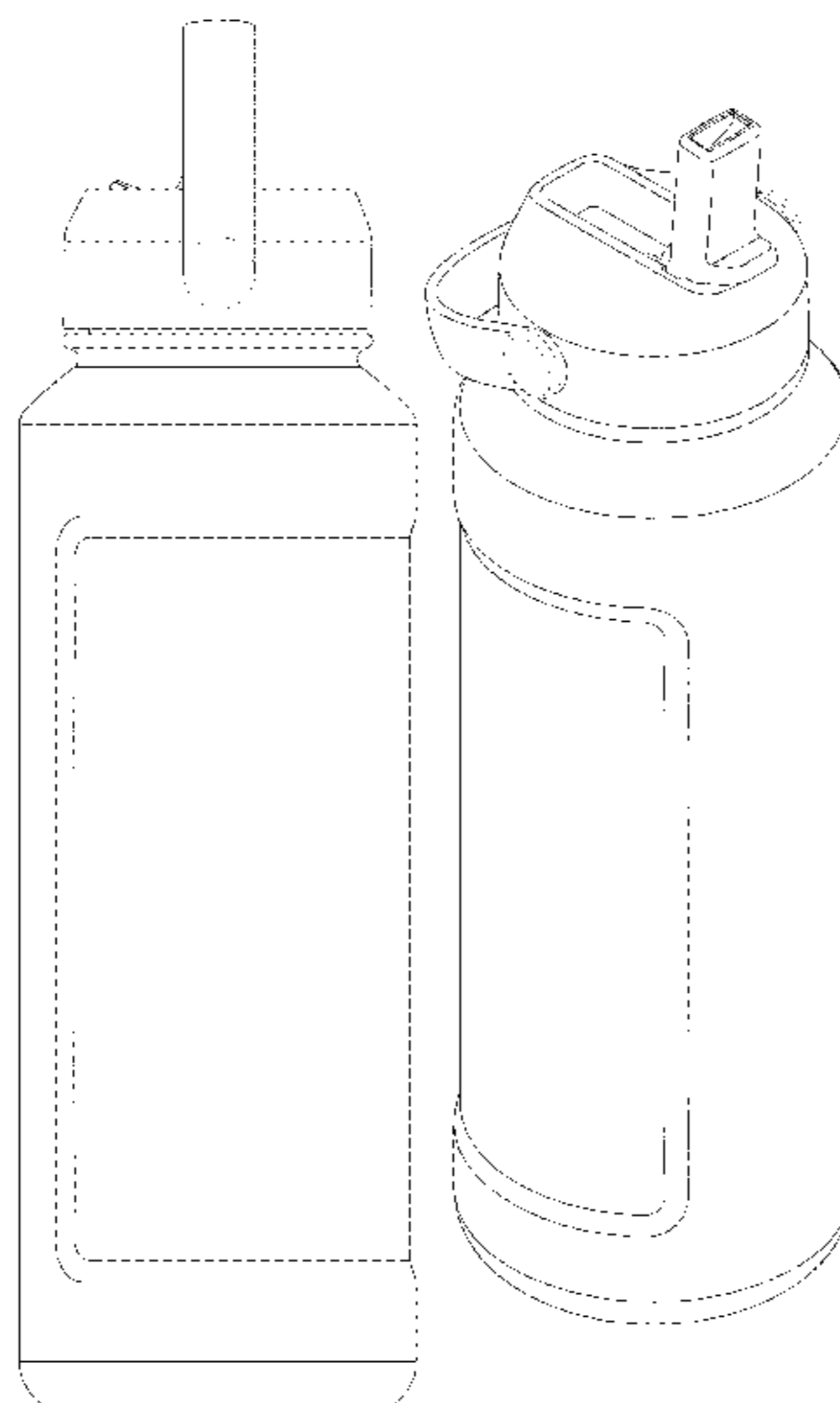
(57) **CLAIM**

The ornamental design for a water bottle with nozzle, as
shown and described.

DESCRIPTION

FIG. 1 is a right view of a water bottle with nozzle showing
our new design;
FIG. 2 is a left view thereof;
FIG. 3 is a rear view thereof;
FIG. 4 is a front view thereof;
FIG. 5 is a bottom view thereof;
FIG. 6 is a top view thereof;
FIG. 7 is an exploded perspective view thereof, showing the
lid separated from the bottle; and,
FIG. 8 is a perspective view of the water bottle with nozzle
showing the nozzle in raised position, and handle in a lower
position.

1 Claim, 8 Drawing Sheets



(56)

References Cited

U.S. PATENT DOCUMENTS

D886,517 S * 6/2020 Bo A47G 19/2272
D7/392.1
D894,671 S * 9/2020 Huang D7/392.1
D894,672 S * 9/2020 Huang D7/392.1
D895,361 S * 9/2020 Wang D7/510
D897,761 S * 10/2020 Zhang D7/392.1
D899,848 S * 10/2020 Zhang D7/392.1
D903,405 S * 12/2020 Zhang D7/392.1
D905,498 S * 12/2020 Zhang D7/392.1
D906,042 S * 12/2020 Chen D7/392.1
D911,100 S * 2/2021 Chen D7/392.1
D911,101 S * 2/2021 Fang D7/392.1
2014/0138395 A1 * 5/2014 Joy A47G 19/2272
220/715

OTHER PUBLICATIONS

Brita, "Brita Plastic Water Filter Bottle," Dec. 1, 2018, Amazon.com, www.amazon.com/dp/B07H1F6N2F (Year: 2018).*

Disney, "Disney Rapunzel Water Bottle with Built-In Straw," Jun. 11, 2018, Amazon.com, www.amazon.com/dp/B07D94L95W (Year: 2018).*

Thermoflask, "Thermoflask Double Stainless Steel Insulated Water Bottle," Jul. 2, 2018, Amazon.com, www.amazon.com/dp/B07F6QQCLN (Year: 2018).*

Sendestar, "Sendestar Stainless Steel Water Bottle," Nov. 14, 2020, www.amazon.com/dp/B08NG24V1F (Year: 2020).*

* cited by examiner

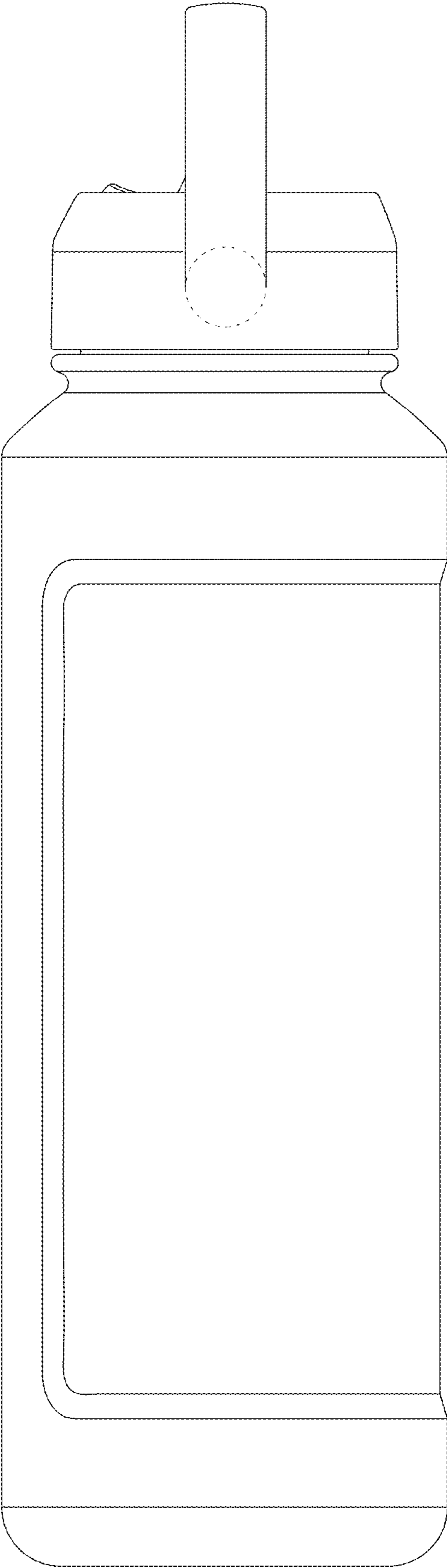


FIG. 1

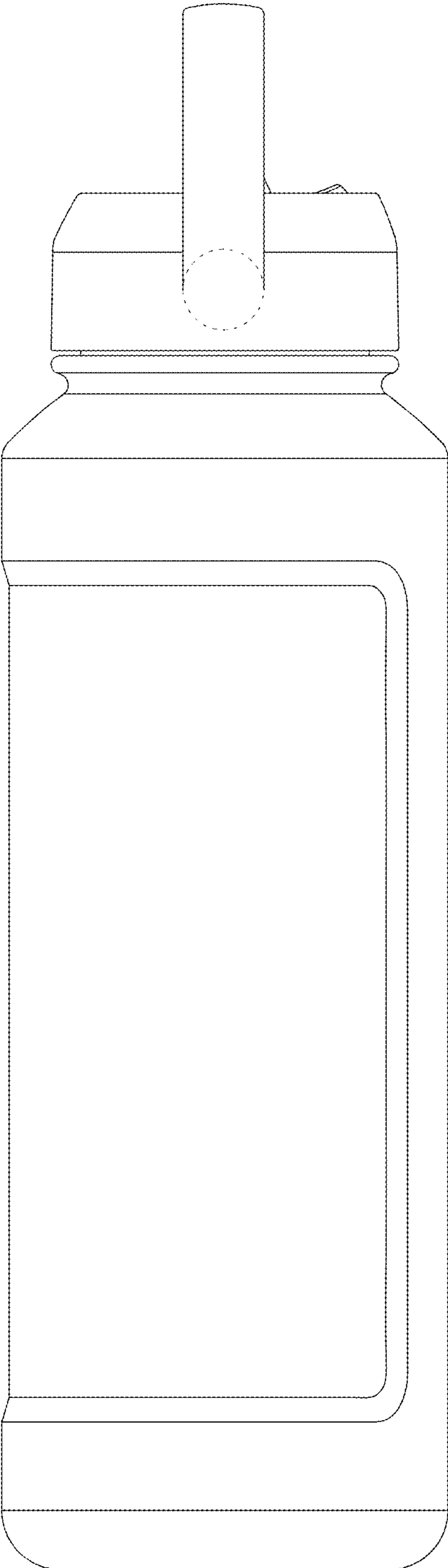


FIG. 2

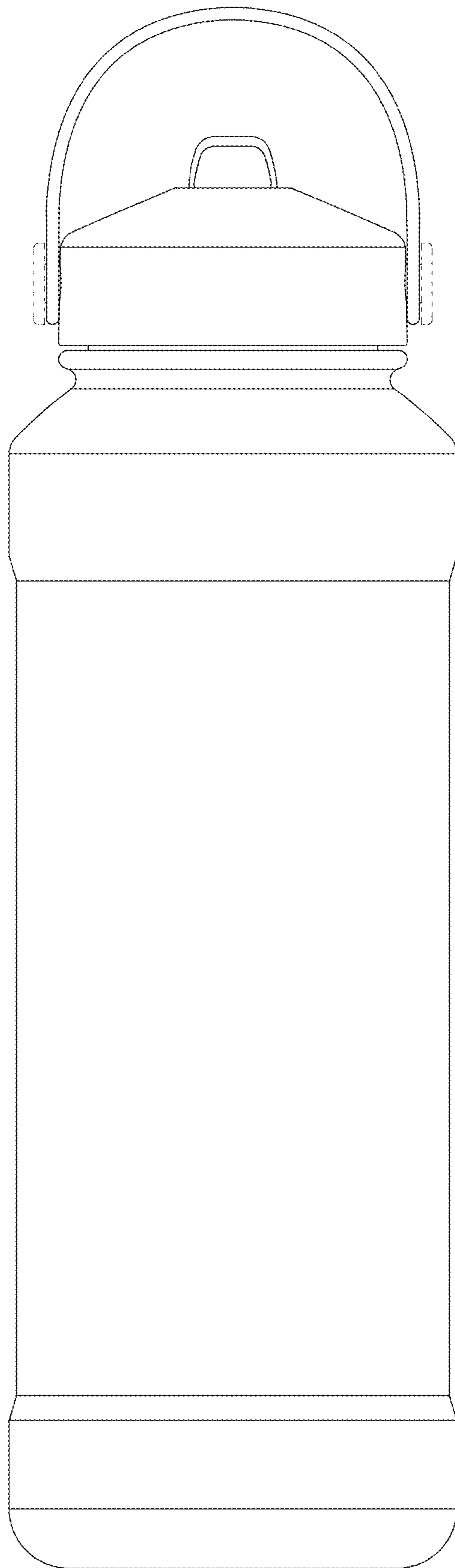


FIG. 3

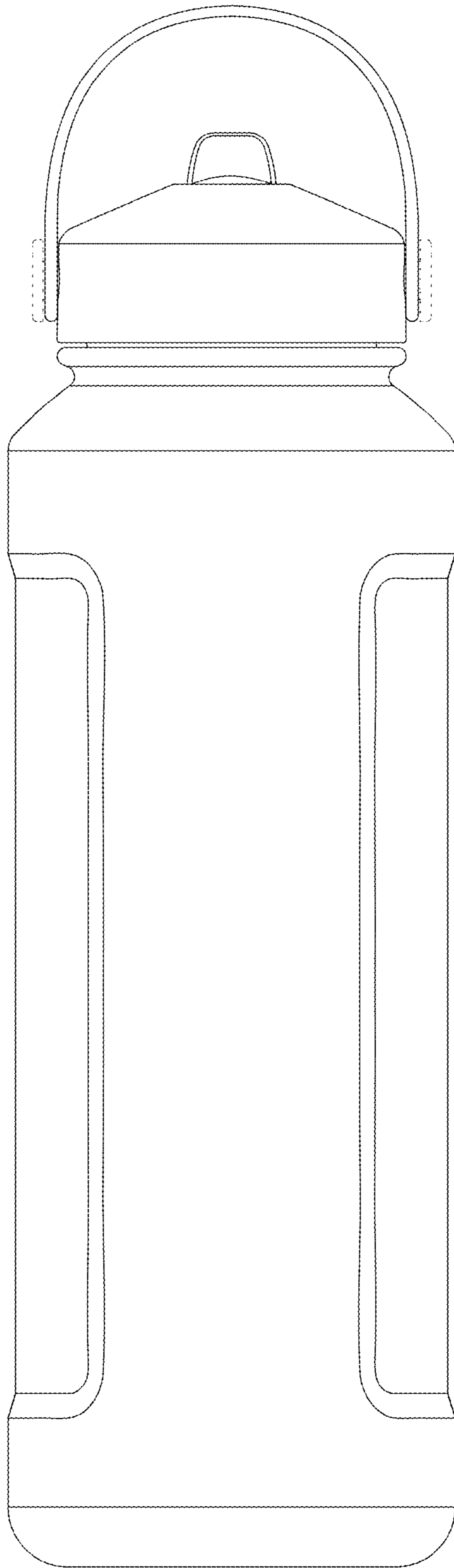


FIG. 4

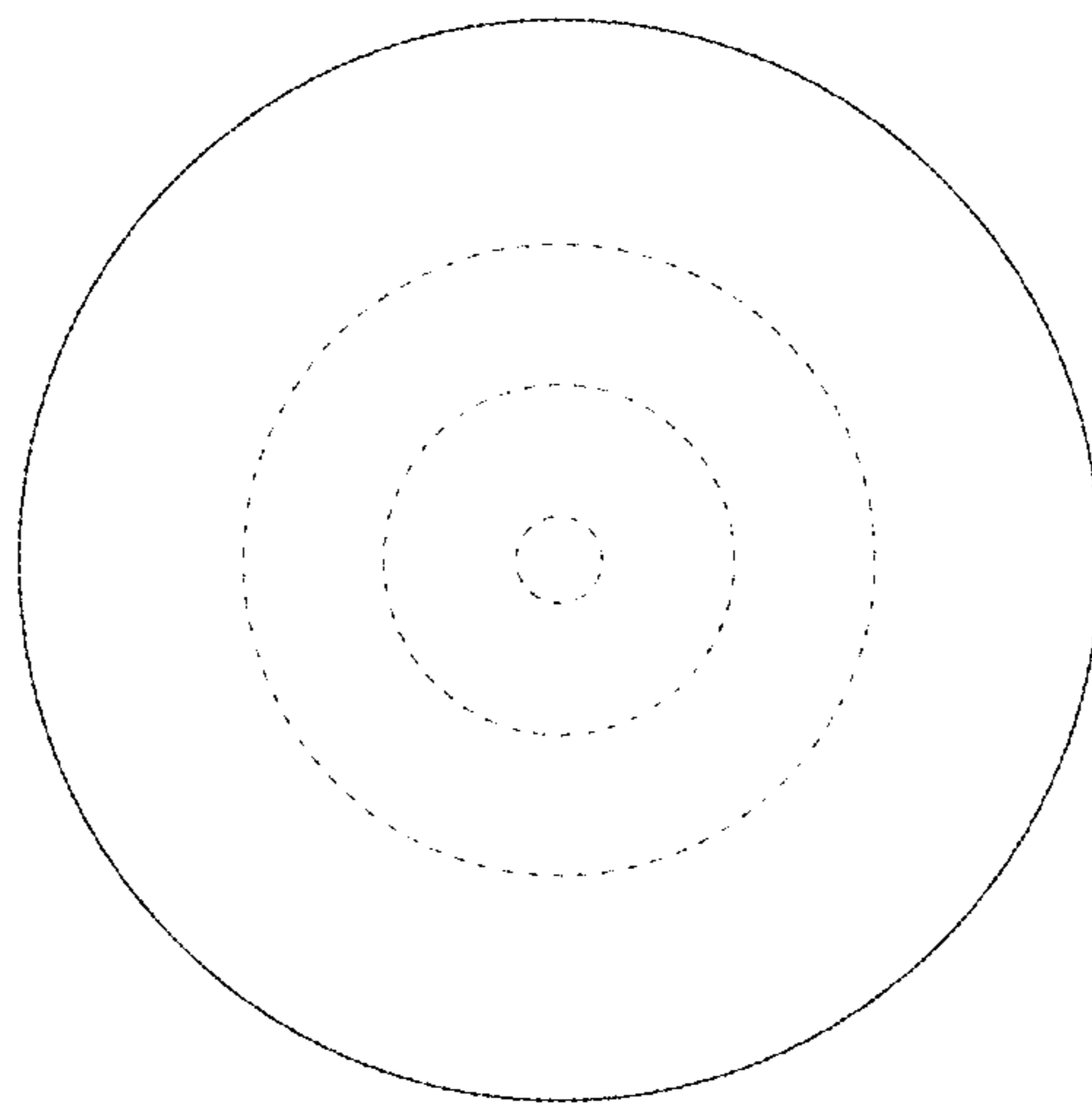


FIG. 5

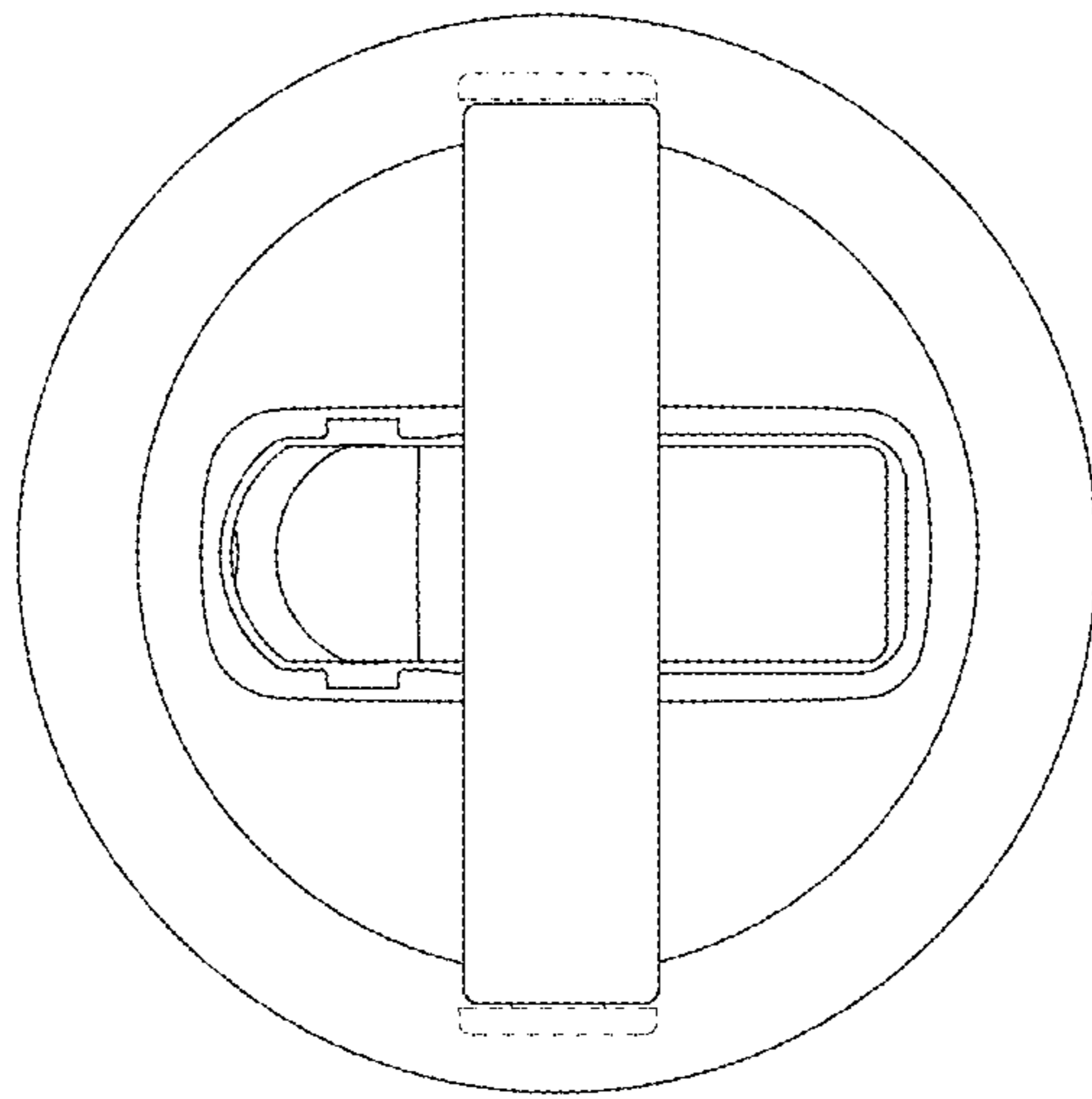


FIG. 6

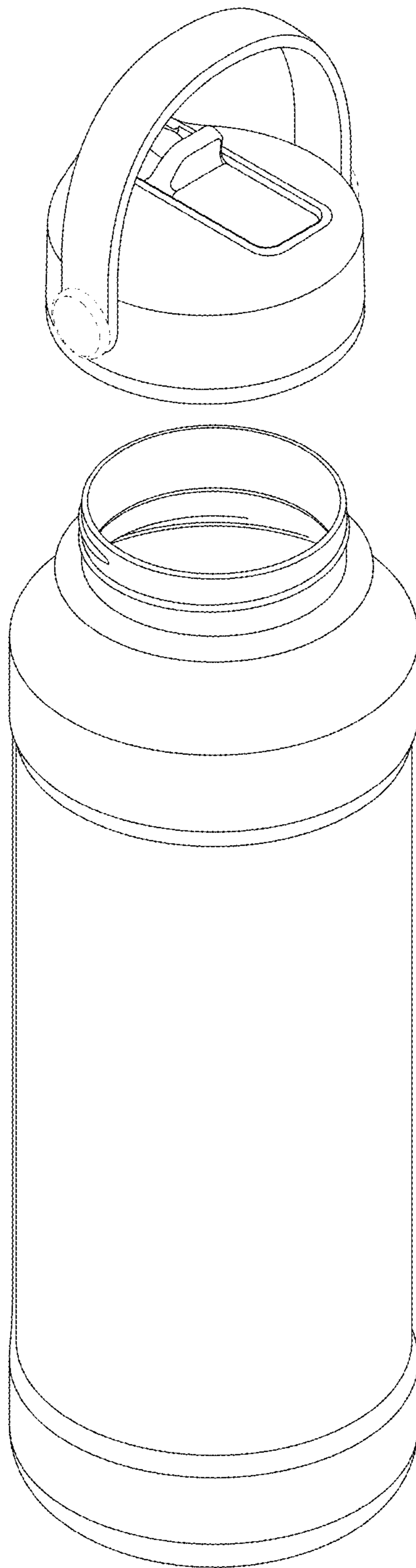


FIG. 7

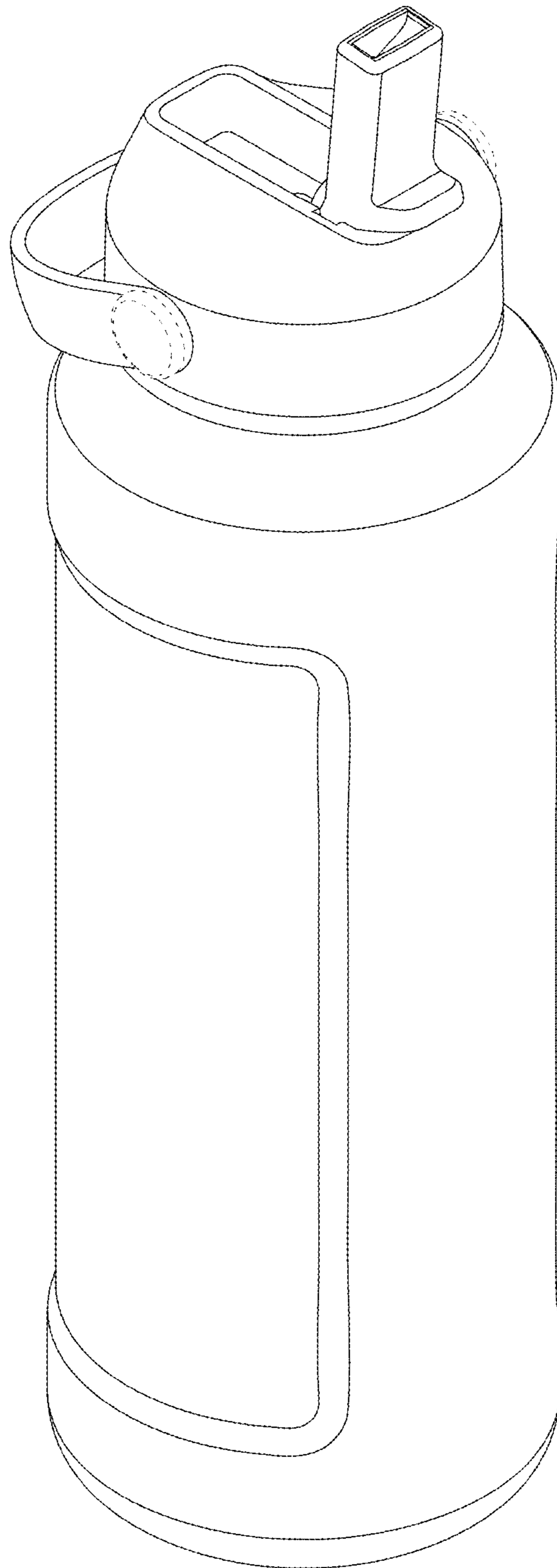


FIG. 8