



US00D930436S

(12) **United States Design Patent** (10) **Patent No.:** **US D930,436 S**
Paparao (45) **Date of Patent:** **** Sep. 14, 2021**

- (54) **THERMAL INSULATED MUG**
- (71) Applicant: **SIRI HANDLOOMS**, Andhra Pradesh (IN)
- (72) Inventor: **Goli Lakshmana Paparao**, Andhra Pradesh (IN)
- (73) Assignee: **SIRI HANDLOOMS**, Andhra Pradesh (IN)
- (**) Term: **15 Years**
- (21) Appl. No.: **29/780,761**
- (22) Filed: **Apr. 26, 2021**
- (51) **LOC (13) Cl.** **07-01**
- (52) **U.S. Cl.**
USPC **D7/510; D7/511**
- (58) **Field of Classification Search**
USPC D7/507, 509, 510, 511, 512, 523, 532, D7/305, 531, 608, 392.1, 396.2, 533, 536; D27/172, 174, 175, 176; D9/501, 502, D9/503, 504, 530, 529, 522, 554, 567, D9/571, 569, 449, 516, 523, 524, 543, D9/565, 575
CPC A47J 43/27; A47J 41/02; A47G 19/22; A47G 19/16; A47G 19/2205; A47G 19/2288; B65D 1/265
See application file for complete search history.

- D799,898 S * 10/2017 Yao D7/510
- D805,852 S * 12/2017 Seiders D7/608
- D806,468 S * 1/2018 Goodwin D7/392.1
- D808,720 S * 1/2018 Dinan D7/507
- D821,359 S * 6/2018 Tong D14/216
- D849,482 S * 5/2019 Diener D7/510
- D875,466 S * 2/2020 Diener D7/396.2
- D883,041 S * 5/2020 Park D7/608
- D885,823 S * 6/2020 Ayres D7/392
- D885,837 S * 6/2020 Bo D7/510
- D899,186 S * 10/2020 McLean D7/510
- D899,859 S * 10/2020 Jacobsen D7/511
- D899,860 S * 10/2020 Jacobsen D7/511
- D911,109 S 2/2021 Johnson
- D911,771 S * 3/2021 Zhang D7/392.1
- D912,806 S 3/2021 Lei et al.
- D913,035 S * 3/2021 McCabe D7/392.1

(Continued)

OTHER PUBLICATIONS

<https://www.amazon.com/Polar-Bottle-Thermaluxe-Insulated-Stainless/dp/B0759V5SHS> (Year: 2019).*

(Continued)

Primary Examiner — Jae Liang
(74) *Attorney, Agent, or Firm* — ScienBiziP, P.C.

(57) **CLAIM**

The ornamental design for a thermal insulated mug, as shown and described.

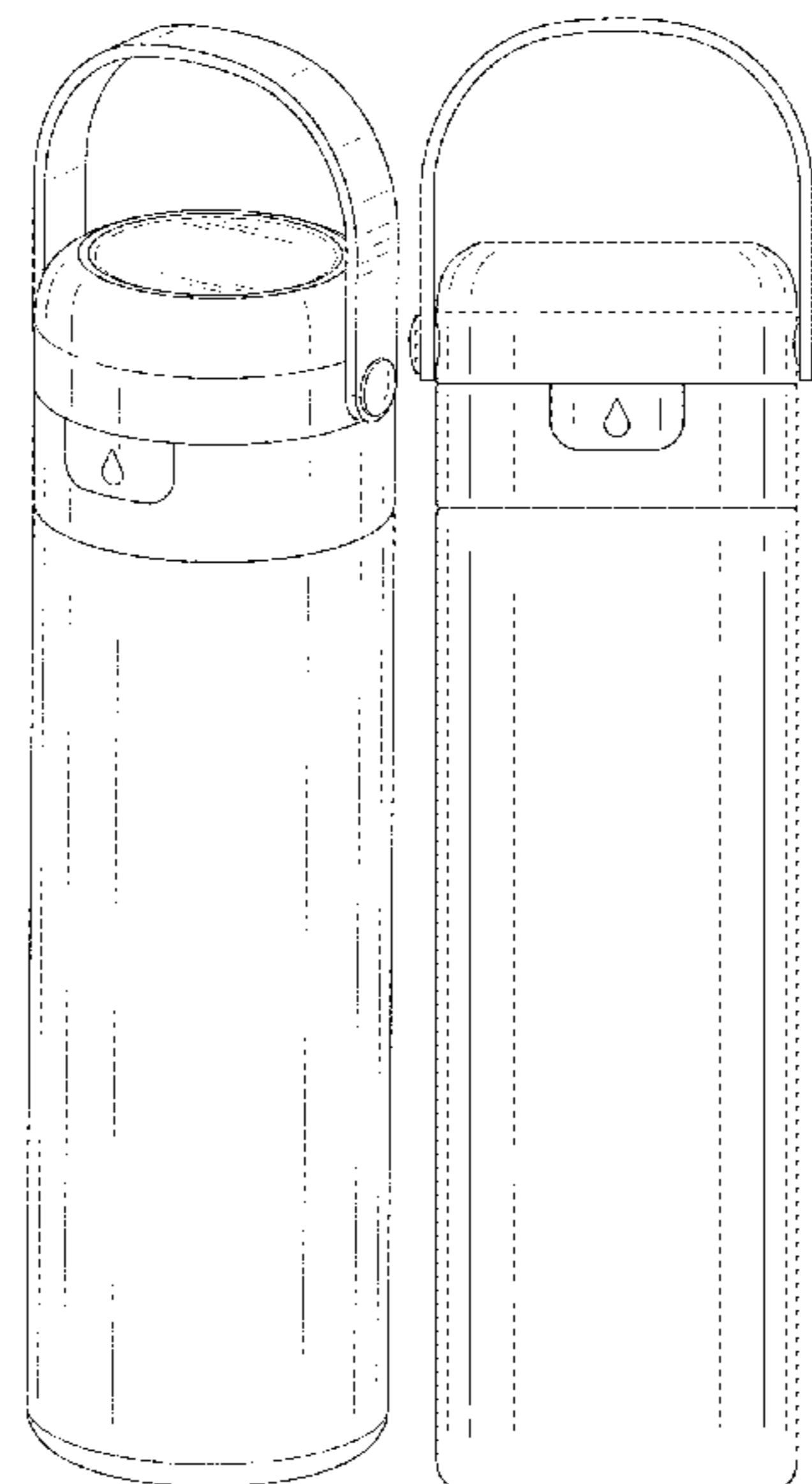
DESCRIPTION

FIG. 1 is a front, right, and top perspective view of a thermal insulated mug, showing my design.
FIG. 2 is a front elevation view thereof.
FIG. 3 is a rear elevation view thereof.
FIG. 4 is a left side elevation view thereof.
FIG. 5 is a right side elevation view thereof.
FIG. 6 is a top plan view thereof; and,
FIG. 7 is a bottom plan view thereof.

1 Claim, 7 Drawing Sheets

(56) **References Cited**
U.S. PATENT DOCUMENTS

- D438,376 S * 3/2001 Marshall D3/257
- D658,064 S * 4/2012 Barnes D9/532
- D675,100 S * 1/2013 Herbst D9/504
- D708,954 S * 7/2014 Barnes D9/504
- D757,646 S * 5/2016 Pearson D13/103
- D758,791 S * 6/2016 Hanna D7/392.1
- D782,413 S * 3/2017 Tsui D13/108
- D786,012 S * 5/2017 Hein D7/396.2



(56)

References Cited

U.S. PATENT DOCUMENTS

D914,504 S * 3/2021 Brulhart D9/504
D915,133 S * 4/2021 Nguyen D7/392.1
D917,225 S * 4/2021 Huang D7/392.1
D919,377 S * 5/2021 Seiders D7/608
2016/0318693 A1* 11/2016 Hein B65D 51/242
2020/0138212 A1* 5/2020 Nishijima B65D 47/2018

OTHER PUBLICATIONS

https://www.amazon.com/Brita-Premium-Filtering-Bottle-Filter/dp/B07QNYWJ3H/ref=pd_rhf_dp_p_img_7?_encoding=UTF8&psc=1&refRID=M085J8WGR85868C4HSRG (Year: 2019).*

* cited by examiner

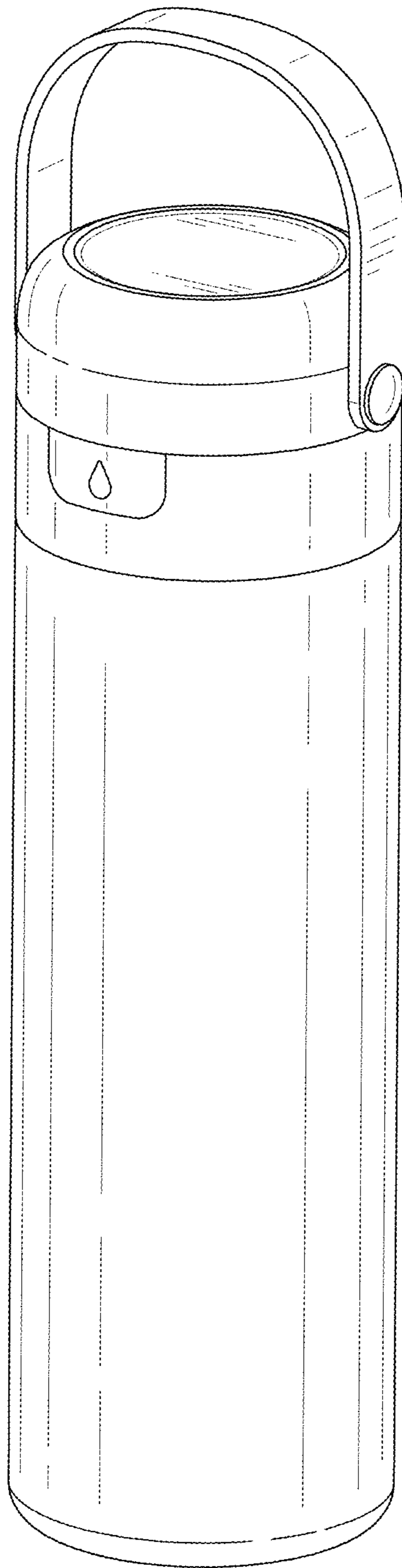


FIG.1

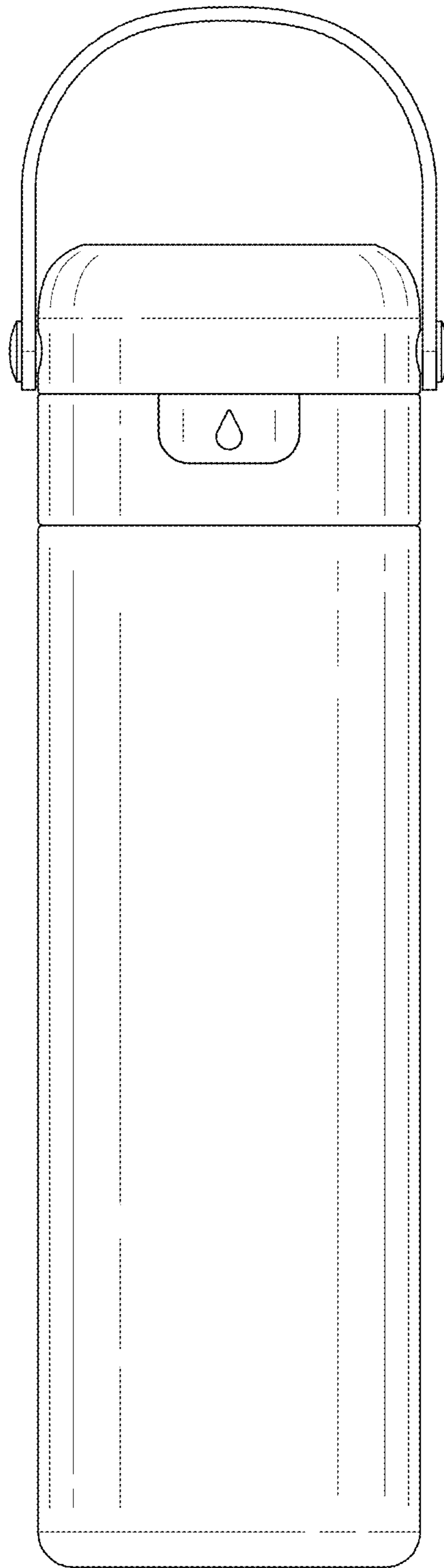


FIG.2

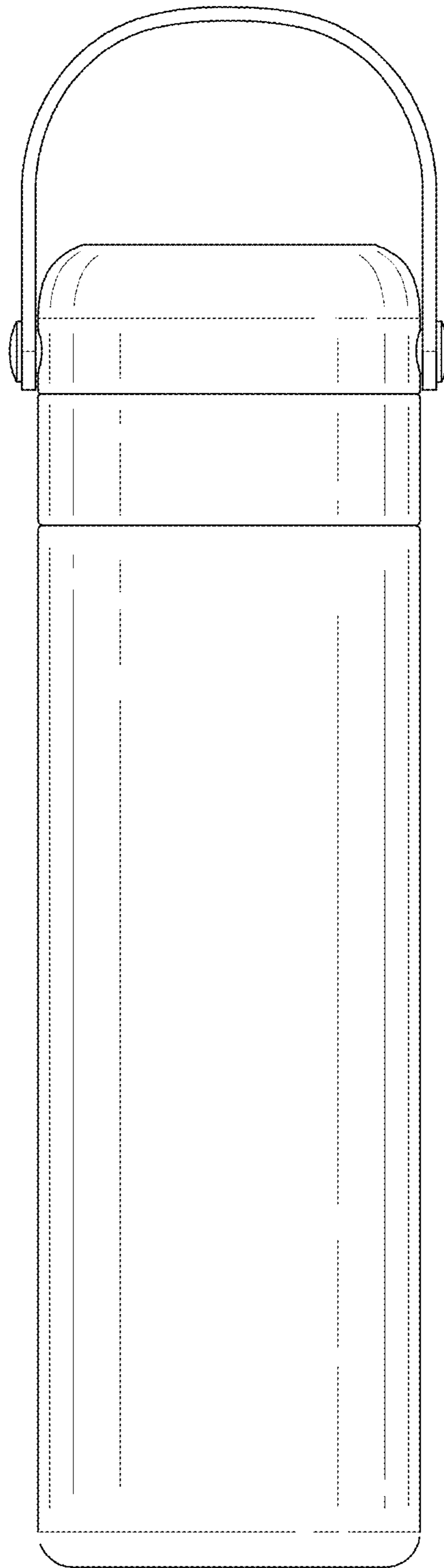


FIG.3

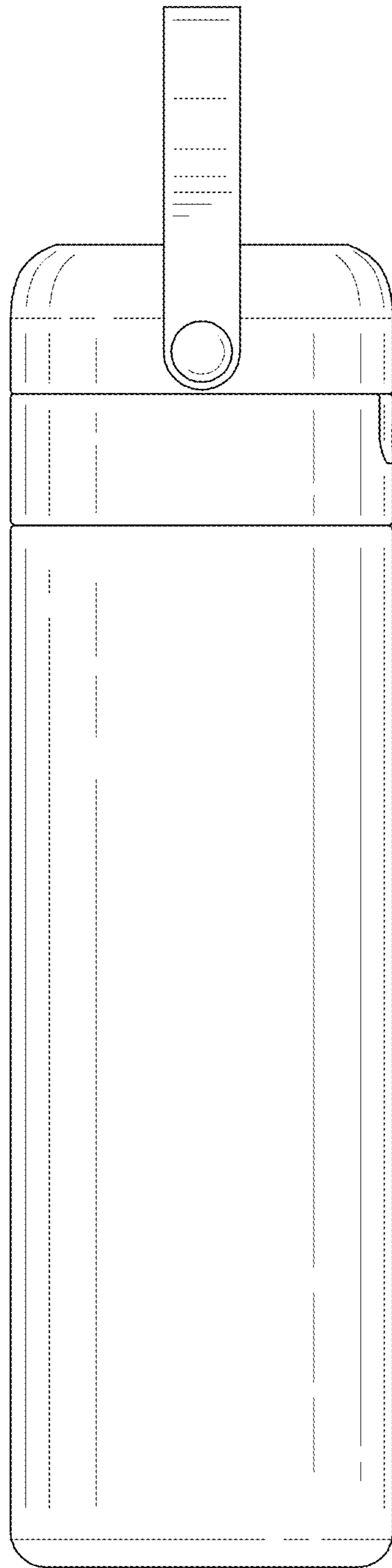


FIG.4

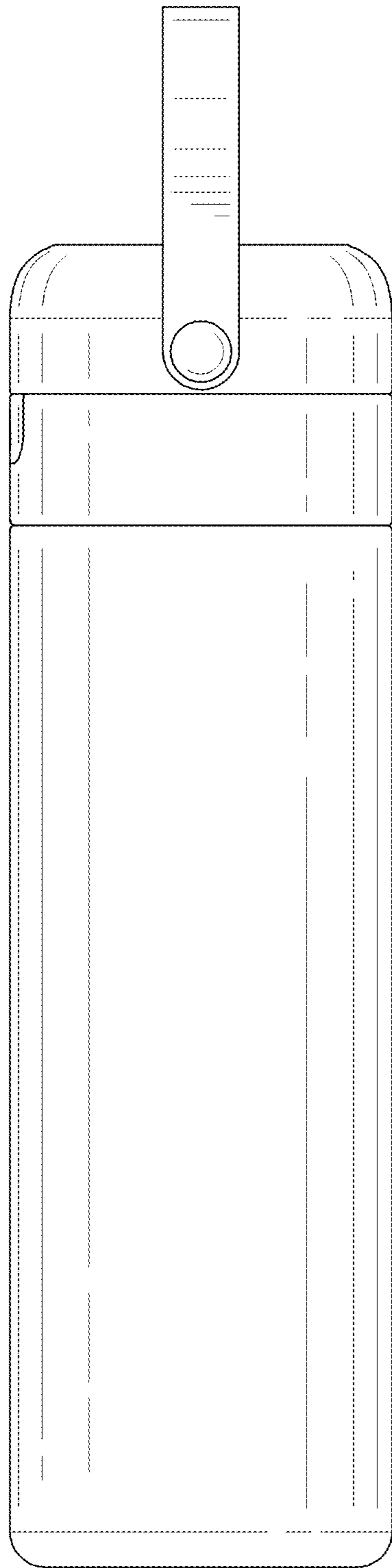


FIG. 5

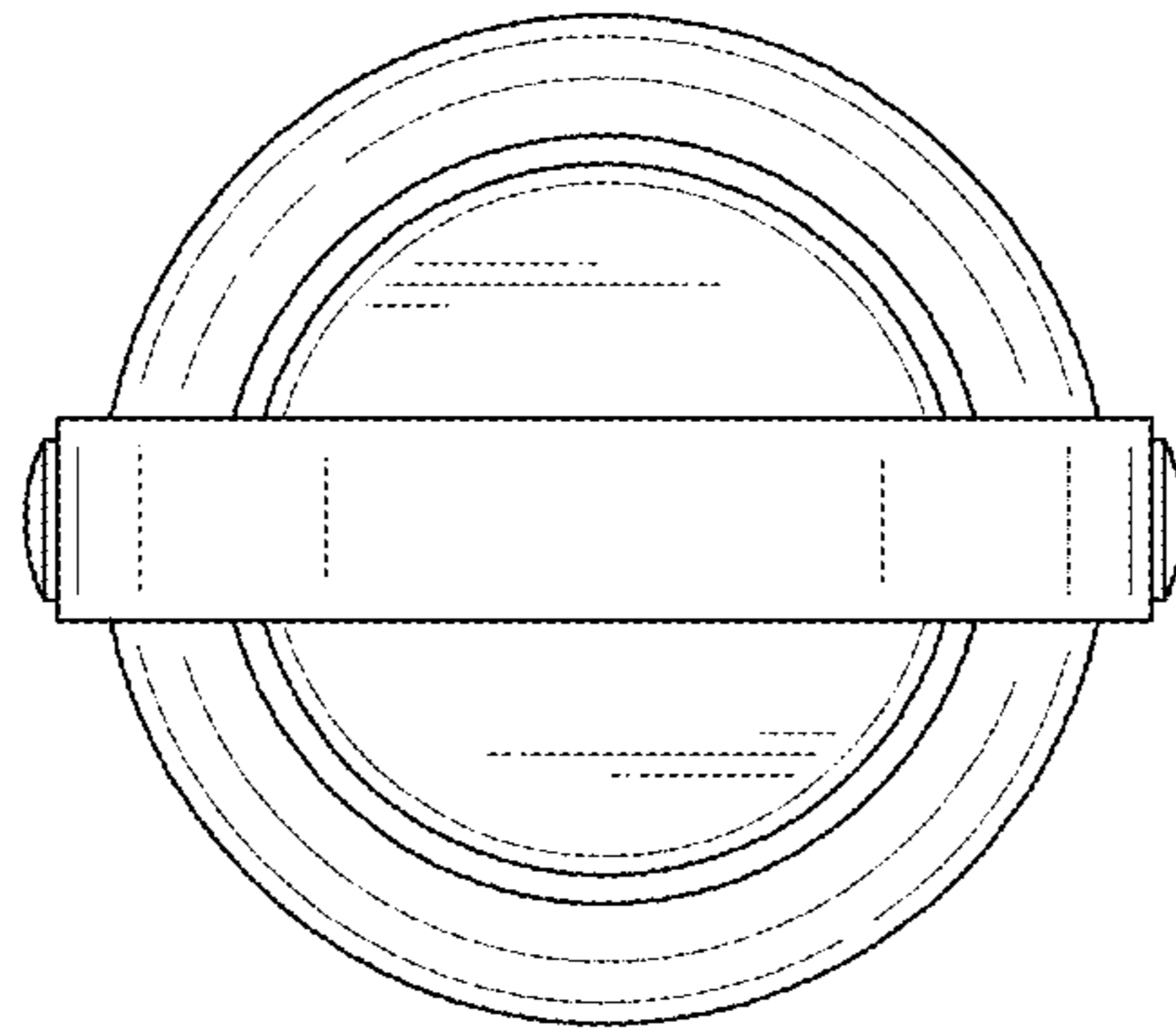


FIG.6

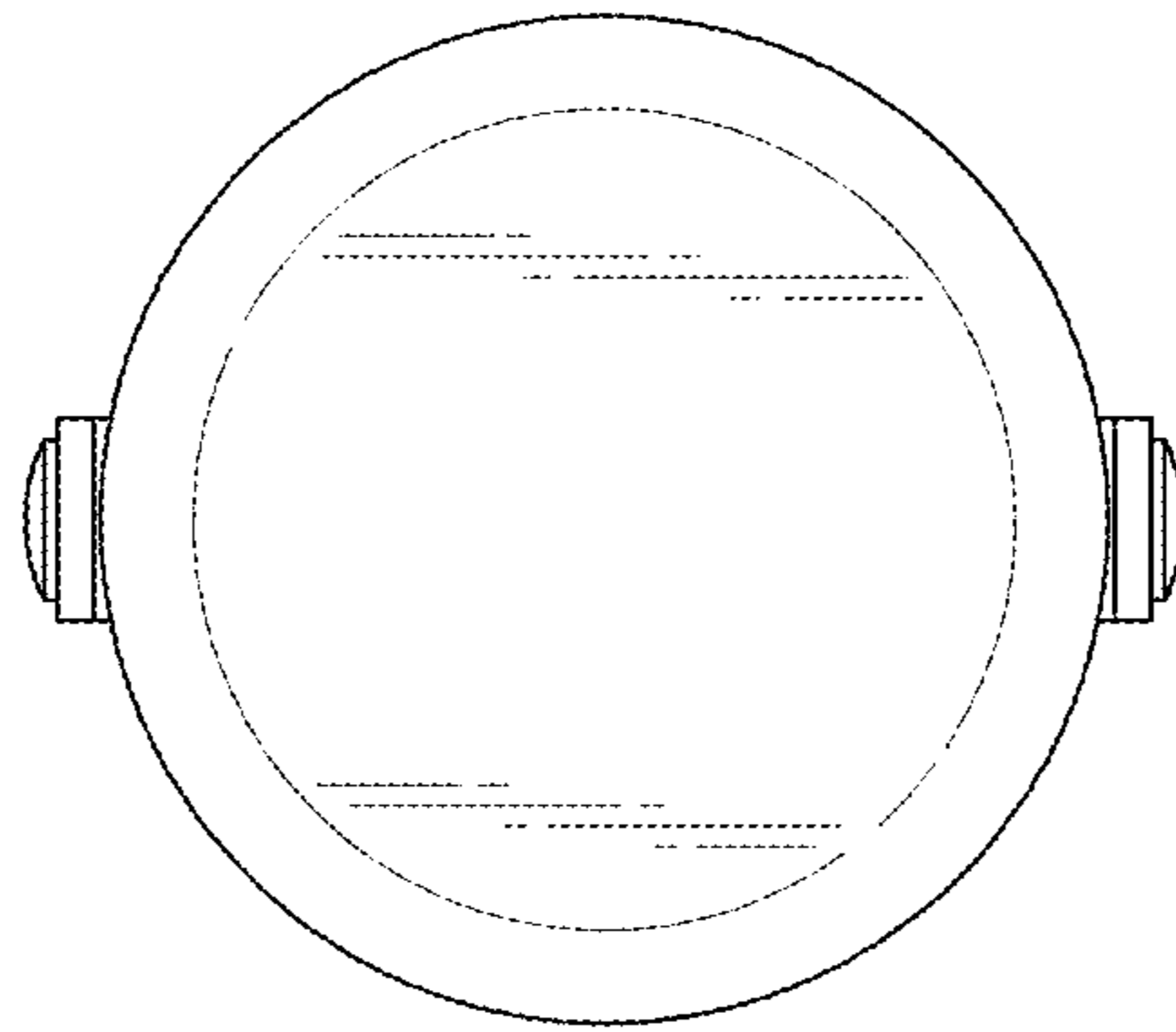


FIG. 7