



US00D930435S

(12) **United States Design Patent** (10) **Patent No.:** **US D930,435 S**
Bruner et al. (45) **Date of Patent:** **** Sep. 14, 2021**

(54) **BEVERAGE CONTAINER**
(71) Applicant: **Corkcicle LLC**, Orlando, FL (US)
(72) Inventors: **Stephen Bruner**, Orlando, FL (US);
Benjamin R. Hewitt, Orlando, FL (US)
(73) Assignee: **Corkcicle, LLC**, Orlando, FL (US)
(**) Term: **15 Years**
(21) Appl. No.: **29/690,659**
(22) Filed: **May 9, 2019**

D213,174 S 1/1969 Davis
5,082,135 A 1/1992 DeCoster
D328,014 S 7/1992 DeCoster et al.
D446,684 S 8/2001 Price
D458,806 S 6/2002 Price et al.
6,561,376 B2 5/2003 Price et al.
D488,348 S 4/2004 Liu
D495,199 S 8/2004 Matthews
D505,830 S 6/2005 Smith et al.
D514,385 S 2/2006 Smith et al.
D514,884 S 2/2006 Smith et al.
D526,848 S 8/2006 Bodum
D543,326 S 5/2007 Dretzka
D552,420 S 10/2007 Liu
D580,227 S 11/2008 Roth et al.

(Continued)

Related U.S. Application Data

(63) Continuation of application No. 29/621,385, filed on Oct. 6, 2017, now Pat. No. Des. 850,857.
(51) **LOC (13) Cl.** **07-01**
(52) **U.S. Cl.**
USPC **D7/509**; D7/531
(58) **Field of Classification Search**
USPC D7/505, 507, 509, 510, 511, 523, 530,
D7/531, 532, 300.1, 512, 513, 396.1,
D7/396.2, 552.2, 553.6, 584, 672, 554.3,
D7/557, 560, 562, 635; D9/453, 570,
D9/557, 556, 569; D10/46.2
CPC A47G 19/22; A47G 19/2205; A47G
19/2266; A47G 19/2227; B65D 1/265;
B65D 3/06; A45F 3/20
See application file for complete search history.

OTHER PUBLICATIONS

https://www.amazon.com/Lungogo-Insulated-Stainless-Reusable-Leakproof/dp/B089M15YJB/ref=sr_1_3?dchild=1&keywords=Lungogo&qid=1622640071&sr=8-3 (Year: 2020).*

Primary Examiner — Jae Liang

(74) *Attorney, Agent, or Firm* — Dickinson Wright, PLLC; Michael E. Noe, Jr.

(57) **CLAIM**

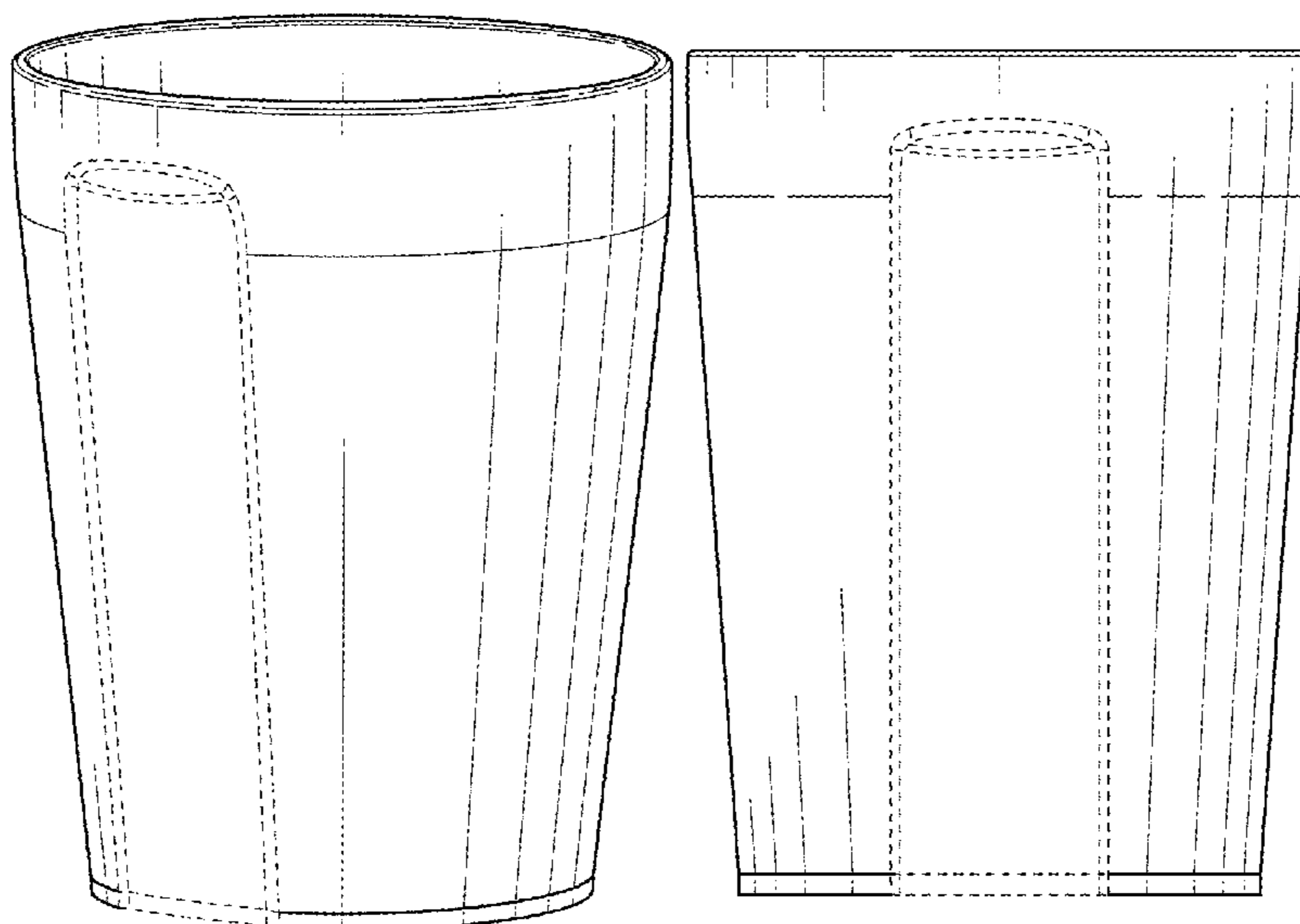
The ornamental design for a beverage container, as shown and described.

DESCRIPTION

FIG. 1 is a perspective view of a beverage container; FIG. 2 is a right side view thereof; FIG. 3 is a left side view thereof; FIG. 4 is a front view thereof; FIG. 5 is a rear view thereof. FIG. 6 is a top view thereof; and, FIG. 7 is a bottom view thereof. The broken lines in the drawings depict portions of the beverage container that form no part of the claimed design.

1 Claim, 4 Drawing Sheets

(56) **References Cited**
U.S. PATENT DOCUMENTS
1,744,328 A 11/1927 Morley
2,090,320 A 6/1936 Amick
D107,781 S 1/1938 Mackelfresh
2,863,585 A 12/1958 Meshberg
3,126,139 A 3/1964 Schechter
D209,308 S 11/1967 Schilling
D211,514 S 6/1968 Amberg



(56)

References Cited

U.S. PATENT DOCUMENTS

D590,662	S	4/2009	Cheng	
D604,157	S	11/2009	Reiterer et al.	
D672,618	S	12/2012	Stamper et al.	
D699,996	S	2/2014	De Leo	
9,052,105	B2	6/2015	Zalon	
D750,436	S	3/2016	Hopkins	
D751,343	S	3/2016	Chen et al.	
D752,390	S	3/2016	Ksiazek et al.	
D765,471	S	9/2016	Gorbald	
D799,274	S	10/2017	Hewitt et al.	
D800,501	S	10/2017	Rummel et al.	
D850,857	S *	6/2019	Bruner	D7/531
D871,852	S *	1/2020	Haas	D7/531
D872,539	S *	1/2020	Hewitt	D7/536
D884,428	S *	5/2020	Bodum	D7/523
D885,137	S *	5/2020	Haas	D7/531
D893,950	S *	8/2020	Bo	D7/510
D897,777	S *	10/2020	Kaiser	D7/523
D899,855	S *	10/2020	Goto	D7/510
D900,611	S *	11/2020	Hewitt	D9/529
D904,118	S *	12/2020	Jacob	D7/507
D904,827	S *	12/2020	Stanton	D7/510
D905,506	S *	12/2020	Wiesenthal	D7/509
D917,233	S *	4/2021	Kaiser	D7/523
2008/0006643	A1	1/2008	Ma	
2008/0179335	A1	7/2008	Lee et al.	
2011/0062160	A1	3/2011	Vasic	
2012/0132658	A1	5/2012	Dans et al.	
2012/0273503	A1	11/2012	Yen	
2014/0124513	A1	5/2014	Shearer	

* cited by examiner

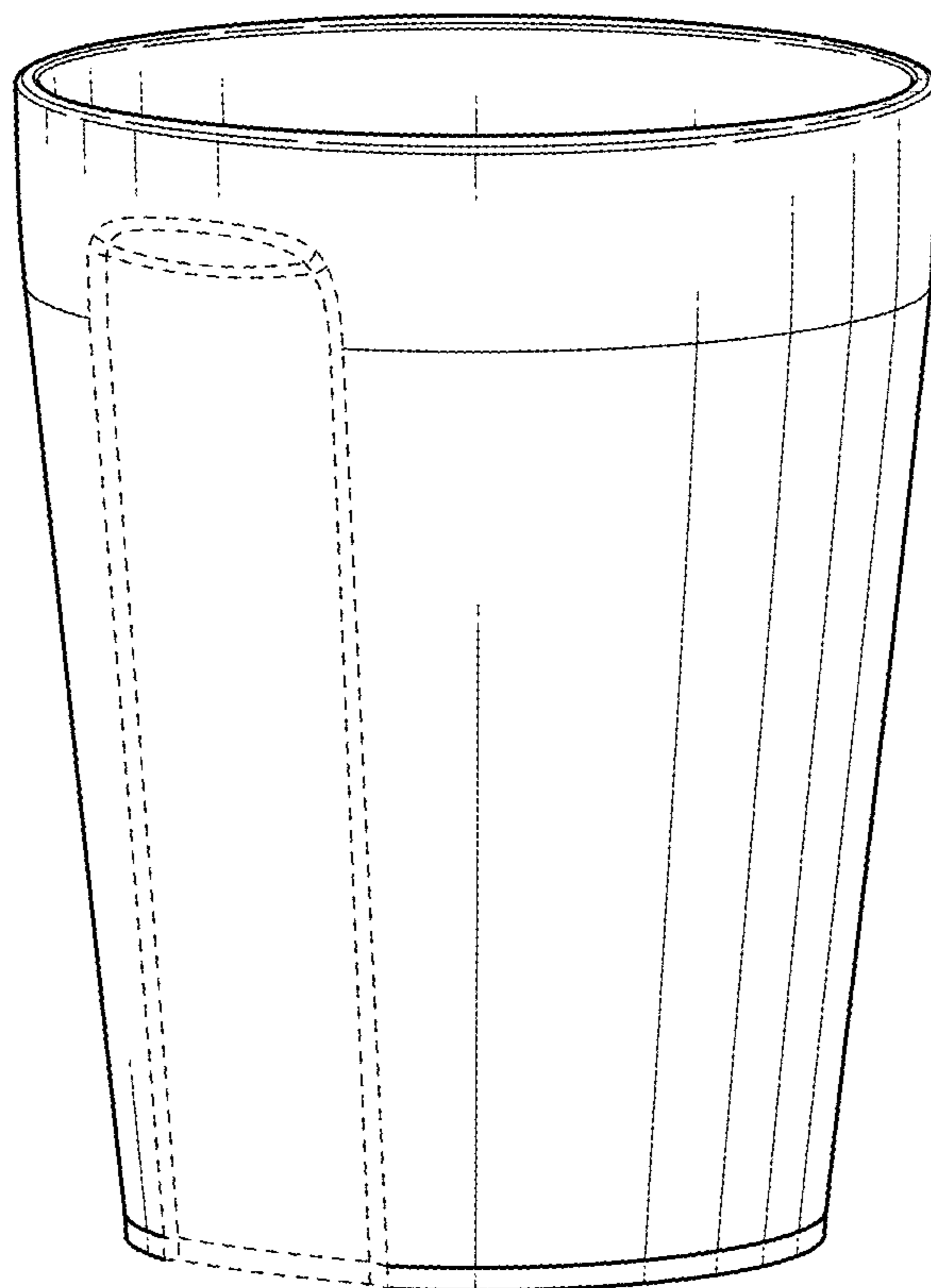


FIG. 1

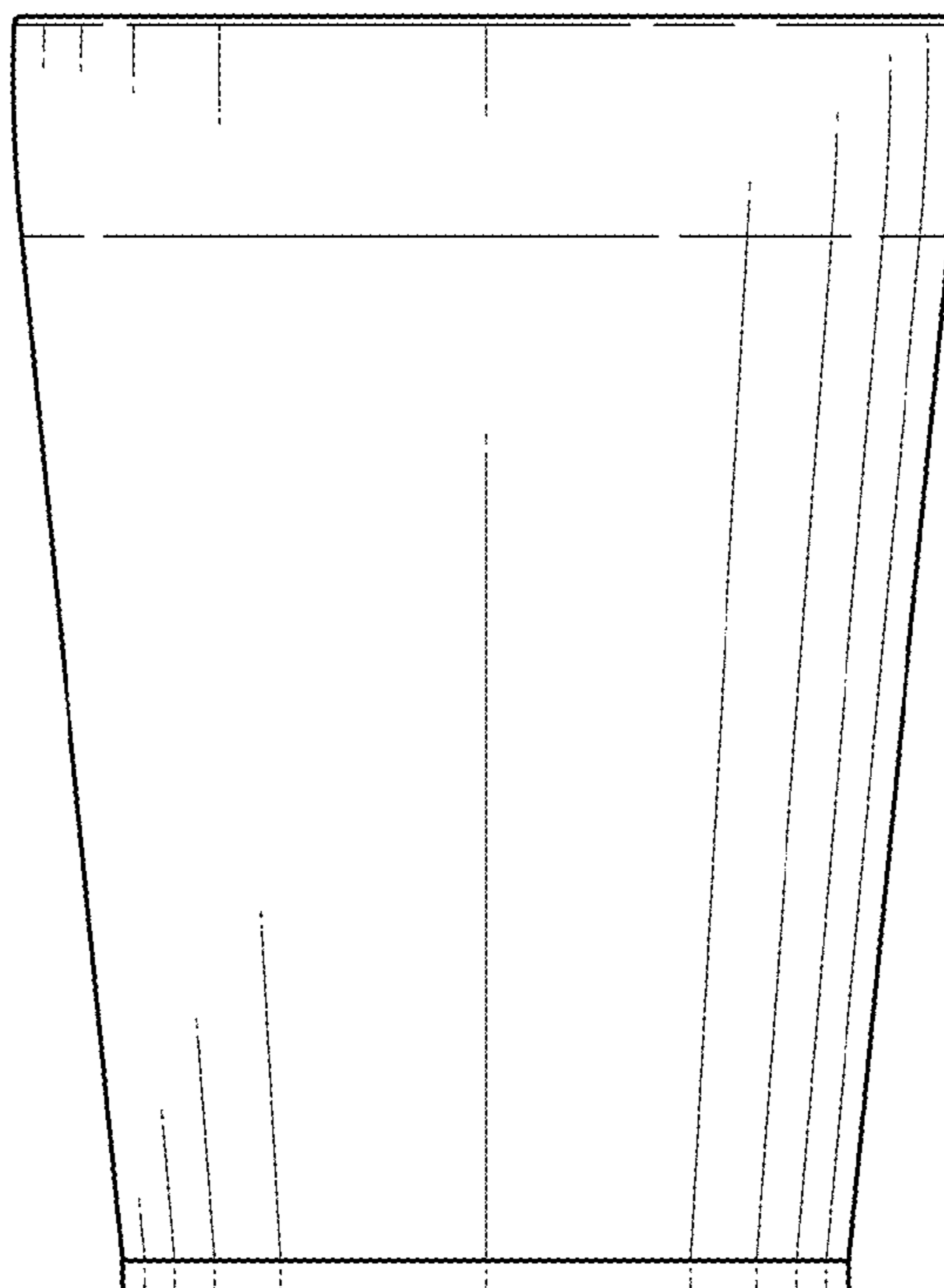


FIG. 2

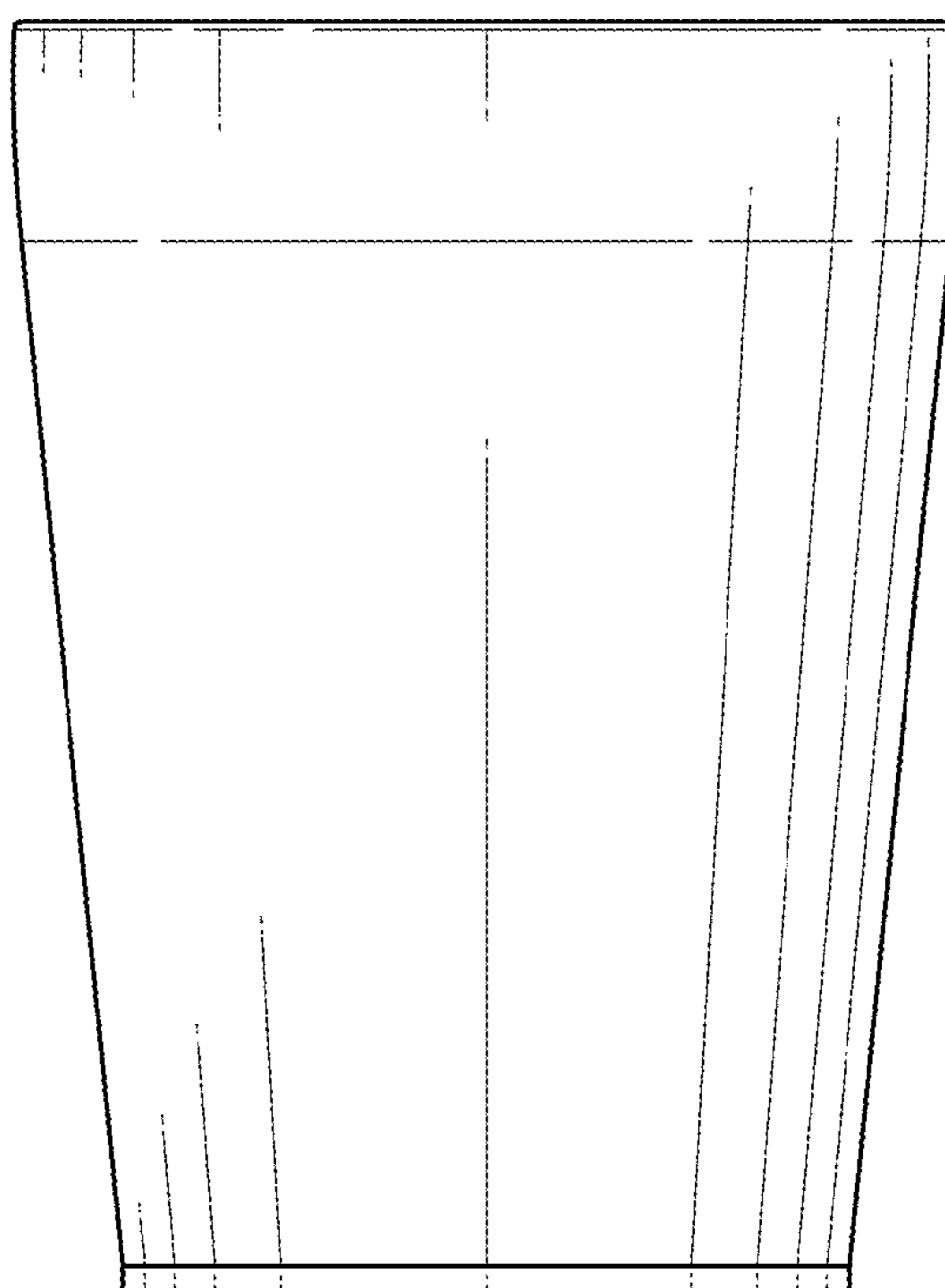


FIG. 3

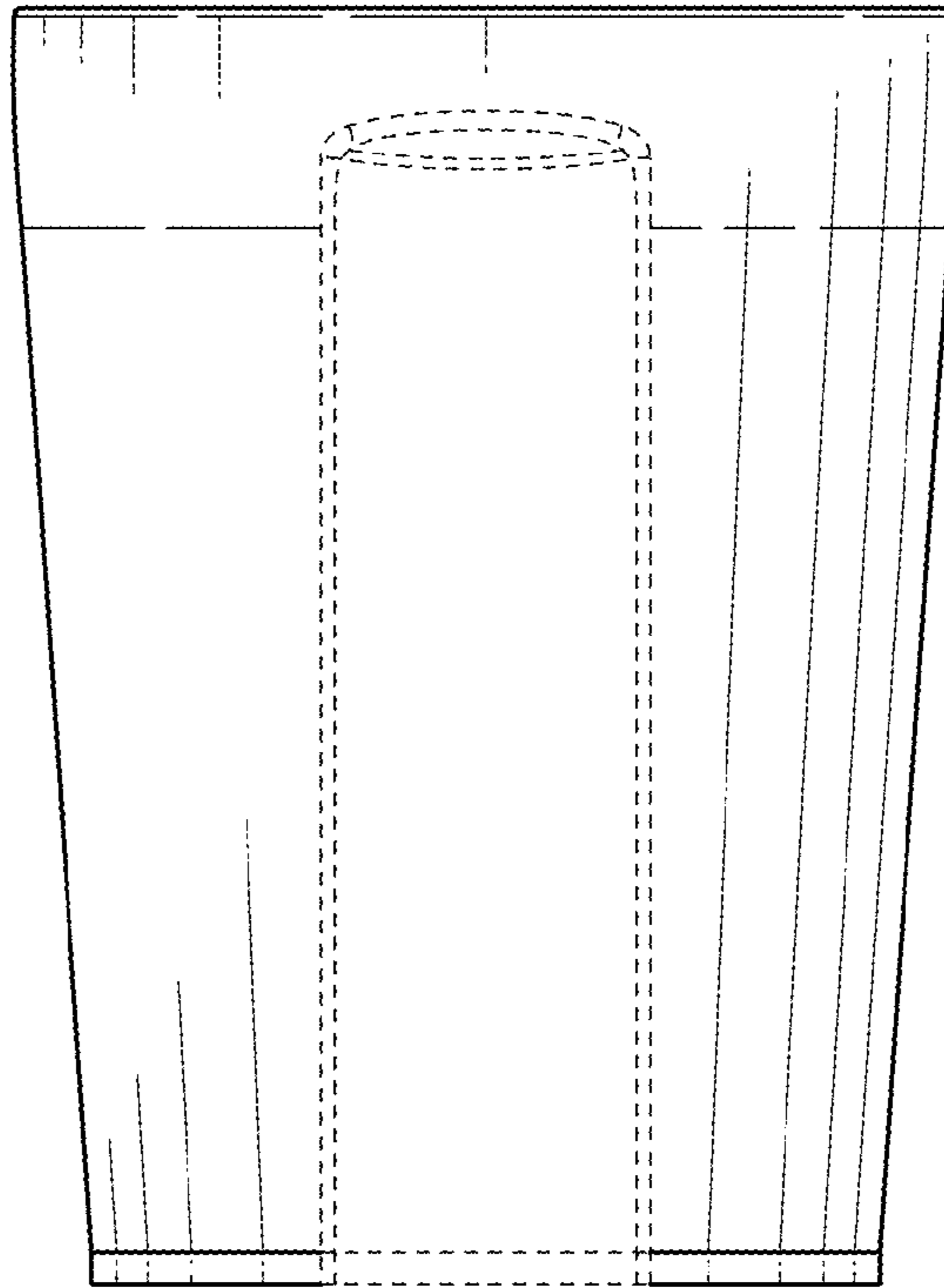


FIG. 4

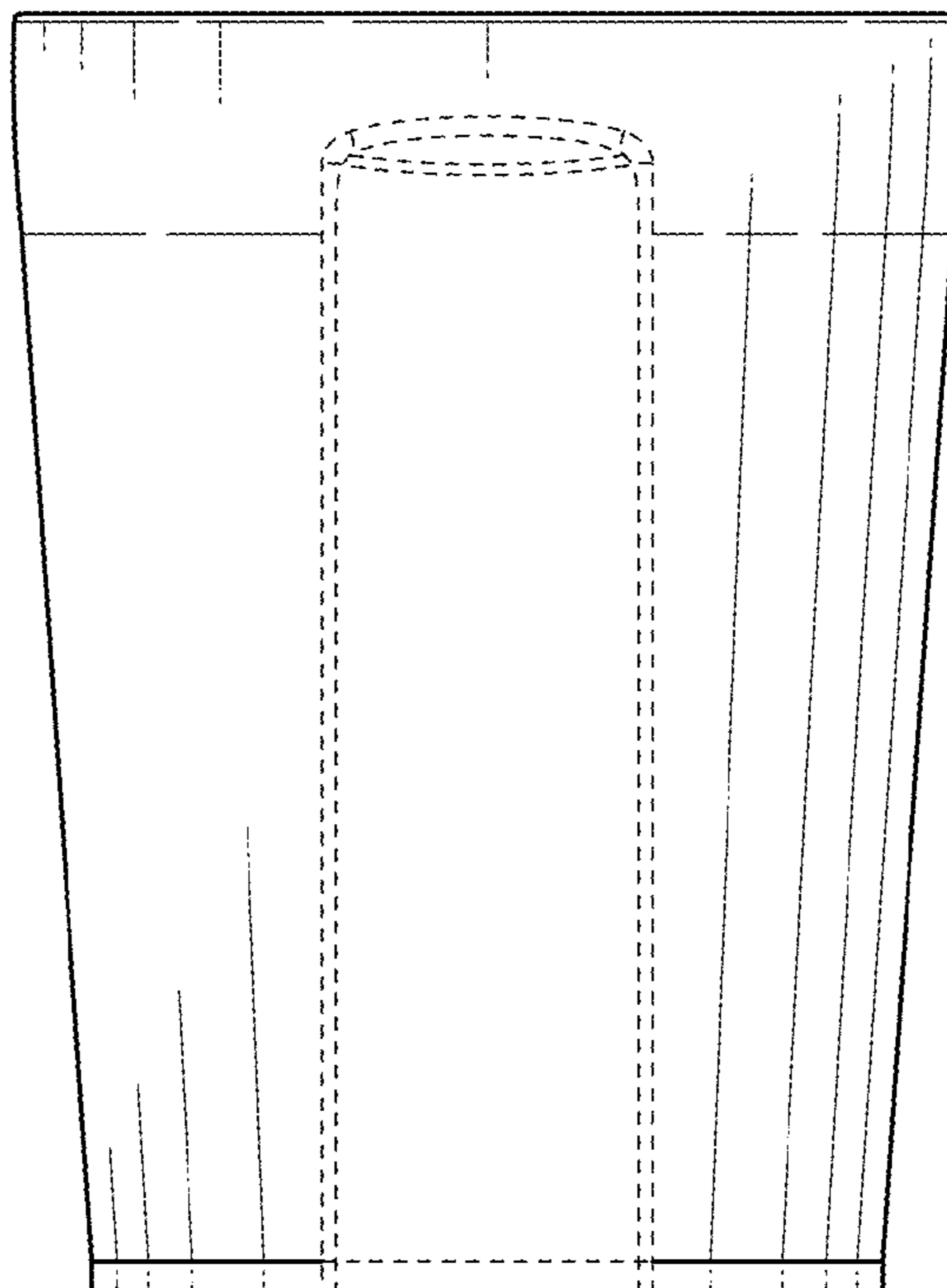


FIG. 5

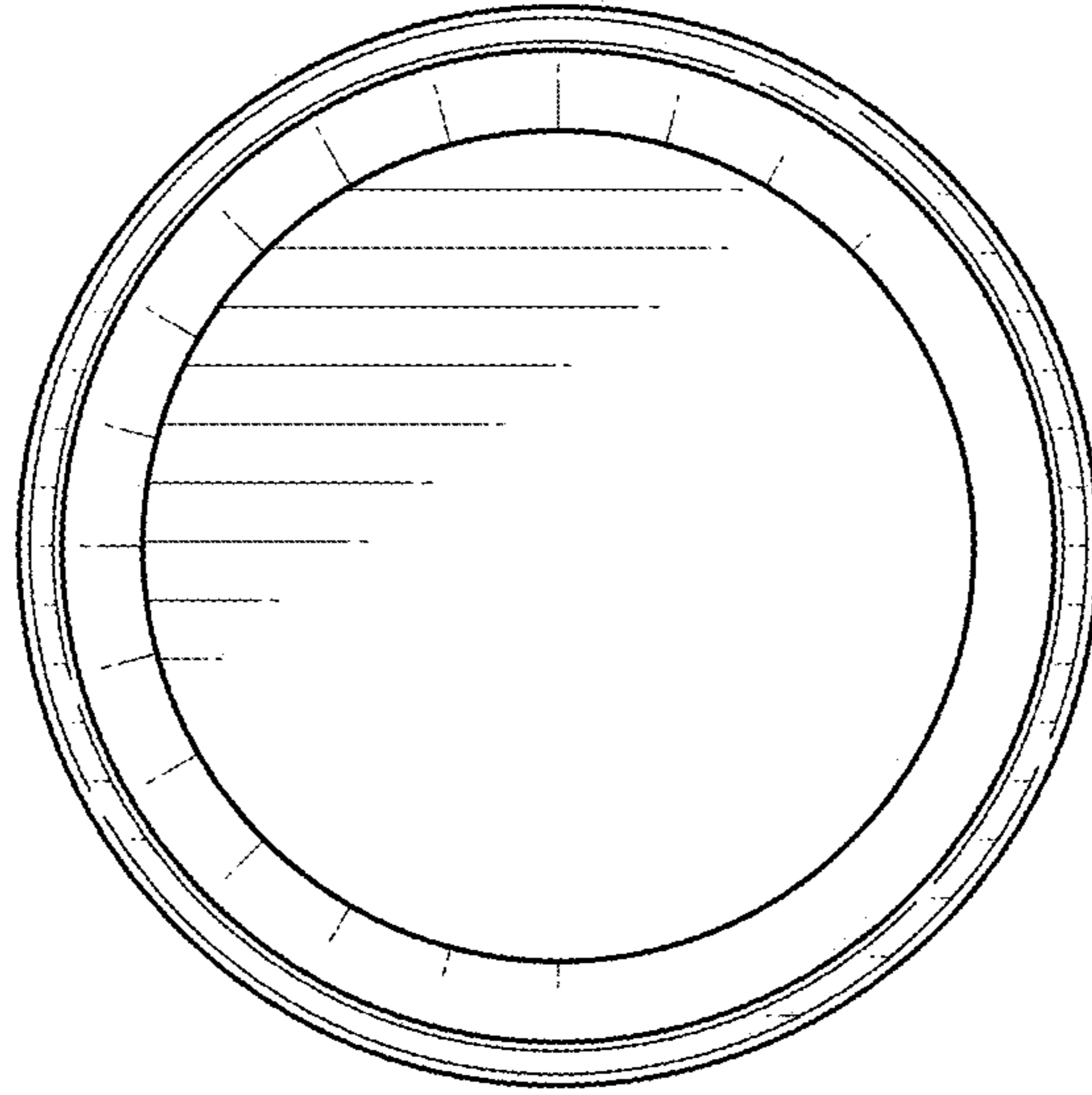


FIG. 6

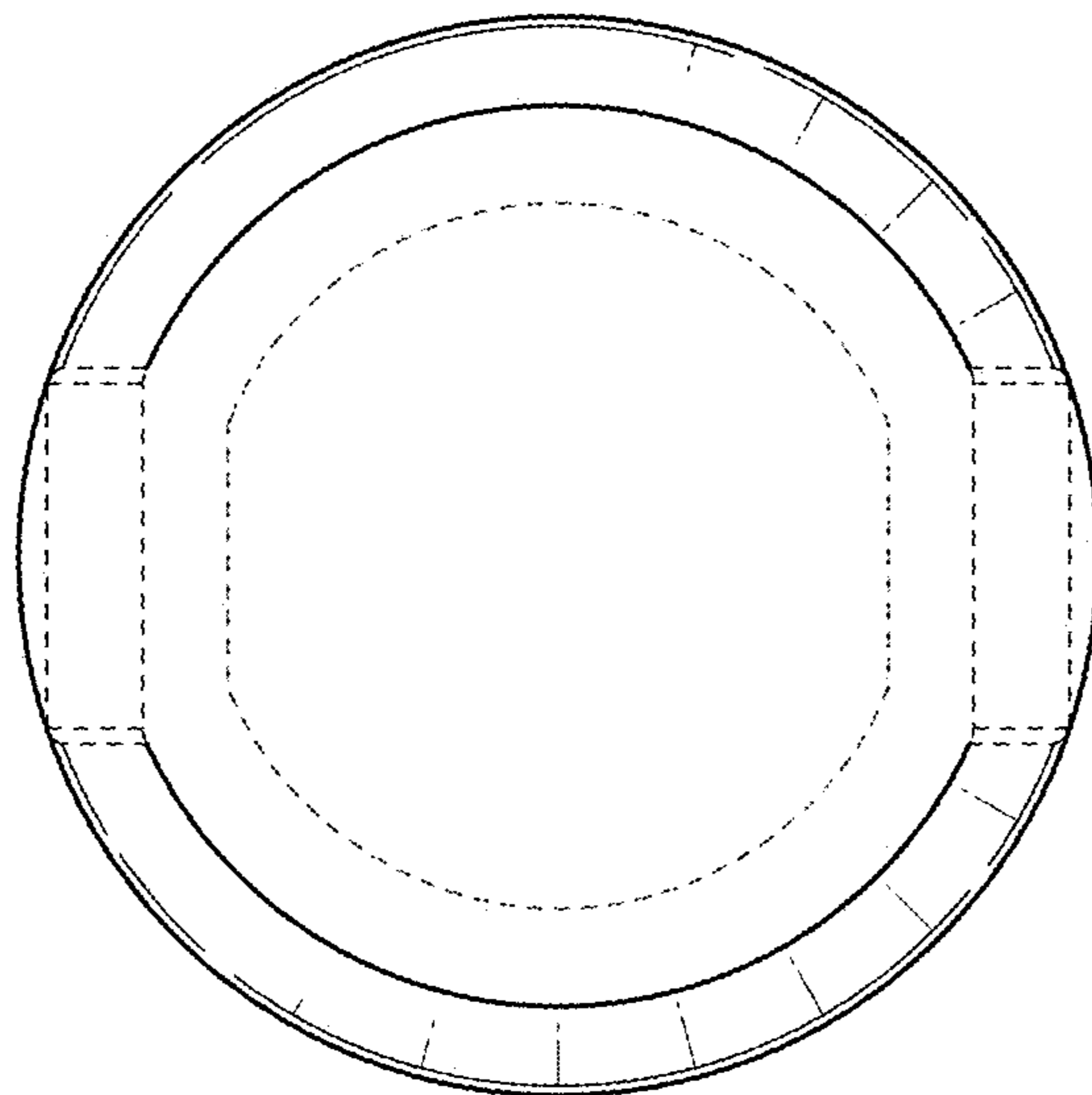


FIG. 7