



US00D930433S

(12) **United States Design Patent** (10) **Patent No.:** **US D930,433 S**
Lah et al. (45) **Date of Patent:** **** Sep. 14, 2021**

(54) **COOKTOP GRATE**

- (71) Applicant: **Whirlpool Corporation**, Benton Harbor, MI (US)
- (72) Inventors: **Michael C. Lah**, Benton Harbor, MI (US); **Timothy A. Mayberry**, St. Joesph, MI (US); **Paul J. Neuman**, St. Joesph, MI (US); **Nicholas Righetti**, Stevensville, MI (US); **Anthony S. Roberts**, Granger, IN (US)
- (73) Assignee: **Whirlpool Corporation**, Benton Harbor, MI (US)
- (**) Term: **15 Years**
- (21) Appl. No.: **29/728,543**
- (22) Filed: **Mar. 19, 2020**

Related U.S. Application Data

- (63) Continuation of application No. 29/668,591, filed on Oct. 31, 2018, now Pat. No. Des. 880,216, which is a (Continued)
- (51) **LOC (13) Cl.** **07-99**
- (52) **U.S. Cl.**
USPC **D7/408**
- (58) **Field of Classification Search**
USPC D7/323, 328, 329, 330, 339, 340, 341, D7/342, 343, 344, 345, 346, 347, 348,
(Continued)

(56) **References Cited**

U.S. PATENT DOCUMENTS

- 341,062 A 5/1886 Sheaffer
 - 730,268 A 6/1903 Keller
- (Continued)

FOREIGN PATENT DOCUMENTS

- WO WO 2019202423 A1 * 10/2019
- WO WO 2020171789 A1 * 8/2020

OTHER PUBLICATIONS

Deluxe Gas Burner Cooktops Made In Italy, announced © 2020 [online], retrieved Dec. 22, 2020, retrieved from internet, https://www.summitappliance.com/gcseries.*
(Continued)

Primary Examiner — Dana K Weiland
Assistant Examiner — Messina L Smith
(74) *Attorney, Agent, or Firm* — Diederiks & Whitelaw, PLC.

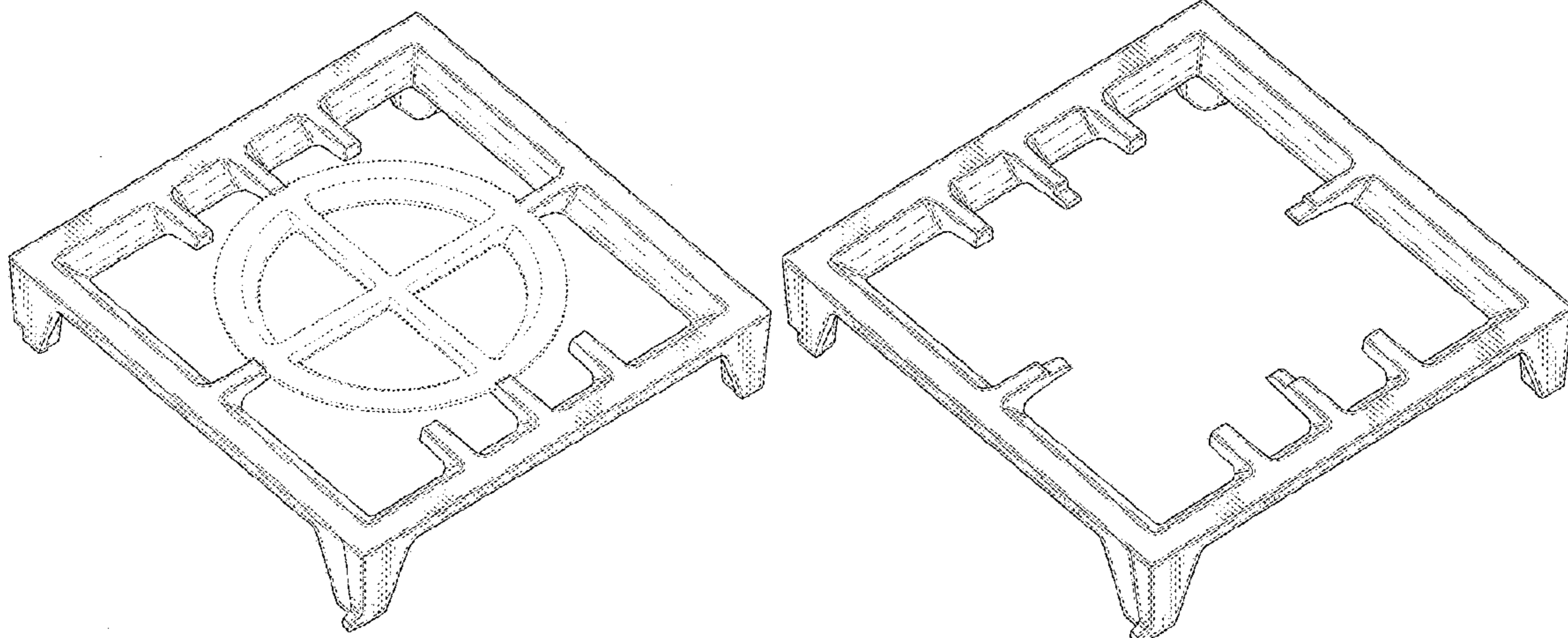
(57) **CLAIM**

The ornamental design for a cooktop grate, as shown and described.

DESCRIPTION

FIG. 1 is a front perspective view of a cooktop grate in an environment of use on a cooking appliance, showing our new design;
FIG. 2 is a top perspective view of the cooktop grate shown separately;
FIG. 3 is a top view thereof;
FIG. 4 is a bottom view thereof;
FIG. 5 is a left side view thereof;
FIG. 6 is a right side view thereof;
FIG. 7 is a front view thereof;
FIG. 8 is a rear view thereof;
FIG. 9 is a top perspective view of the cooktop grate of FIG. 2 without a removable central insert, showing aspects of the design that are not fully visible when combined;
FIG. 10 is a top perspective view of the cooktop grate of FIG. 2 with the removable central insert being inverted; and,
FIG. 11 is a rear view of the cooktop grate thereof.
The broken line showing of the cooking appliance in FIG. 1 depicts environment and forms no part of the claimed design. All other broken lines depict portions of the cooktop grate that form no part of the claimed design.

1 Claim, 9 Drawing Sheets



Related U.S. Application Data

continuation of application No. 29/587,844, filed on Dec. 15, 2016, now Pat. No. Des. 836,373.

(58) **Field of Classification Search**

USPC D7/349, 390, 402, 403, 404, 405, 406; D21/523-524; D8/300, 301, 302, 303, D8/304, 305, 306

CPC ... A21B 2/00; A47J 37/00; A47J 37/06; A47J 37/0611; A47J 37/08; A47J 37/0807; A47J 37/0814; A47J 37/0835; A47J 37/0842; A47J 37/085; A47J 37/0864; A47J 37/0878; A47J 37/0885; A47J 37/0892; F24C 7/00; F24C 7/002; F24C 7/046; F24C 7/067; F24C 15/04; F24C 15/10; F24C 15/102; F24C 15/107

See application file for complete search history.

(56) **References Cited**

U.S. PATENT DOCUMENTS

| | | | |
|-----------|-----|---------|----------------------|
| 914,306 | A | 3/1909 | Renkenberger |
| 1,509,526 | A | 9/1924 | O'Dowd |
| D144,093 | S | 3/1946 | Abell |
| D278,306 | S | 4/1985 | McIntosh |
| 5,129,451 | A | 7/1992 | Moir et al. |
| 5,315,983 | A | 5/1994 | Law |
| D389,374 | S | 1/1998 | Miller |
| 5,775,316 | A | 7/1998 | Jones |
| D401,112 | S | 11/1998 | Miller |
| D439,110 | S | 3/2001 | Cozzolino |
| D461,090 | S | 8/2002 | Rummel et al. |
| D477,177 | S | 7/2003 | Jeong |
| 6,588,417 | B2 | 7/2003 | Jones et al. |
| 6,712,067 | B1 | 3/2004 | Barbour et al. |
| D489,933 | S | 5/2004 | Rummel et al. |
| 6,935,330 | B1 | 8/2005 | Barrero et al. |
| D546,119 | S | 7/2007 | Dodge |
| D564,838 | S | 3/2008 | Shin et al. |
| D578,823 | S | 10/2008 | Kim |
| D589,740 | S | 4/2009 | Strayle |
| D602,738 | S | 10/2009 | Bengton et al. |
| D610,863 | S | 3/2010 | Kim et al. |
| D629,638 | S | 12/2010 | Funnell et al. |
| 7,967,004 | B2 | 6/2011 | Inzaghi |
| D653,900 | S | 2/2012 | Kim et al. |
| D685,602 | S | 7/2013 | Lee |
| D697,756 | S | 1/2014 | Segers et al. |
| D703,484 | S | 4/2014 | Boo et al. |
| D707,080 | S * | 6/2014 | Shamoon D7/388 |
| D721,538 | S | 1/2015 | Kim et al. |
| D731,845 | S | 6/2015 | Kim et al. |
| D738,683 | S | 9/2015 | Segers et al. |
| D767,324 | S | 9/2016 | Funnell, II et al. |
| D778,099 | S | 2/2017 | Shoemaker et al. |
| D781,096 | S | 3/2017 | Kim et al. |
| D782,863 | S | 4/2017 | Kamper et al. |

| | | | |
|--------------|------|---------|--------------------------------------|
| D786,006 | S | 5/2017 | Chung et al. |
| D786,609 | S | 5/2017 | Cho et al. |
| D798,108 | S | 9/2017 | Shoemaker et al. |
| D801,749 | S * | 11/2017 | Wang D7/409 |
| D811,165 | S * | 2/2018 | Sadtler D7/408 |
| D817,709 | S | 5/2018 | Kim |
| 9,995,482 | B2 * | 6/2018 | Cadima F23D 14/045 |
| D829,482 | S | 10/2018 | Incukur |
| D829,504 | S | 10/2018 | Kim |
| D836,373 | S | 12/2018 | Lah |
| D846,945 | S | 4/2019 | Kamper |
| D847,566 | S | 5/2019 | Kamper |
| 10,393,387 | B2 * | 8/2019 | Cadima F23D 14/06 |
| 10,401,034 | B2 * | 9/2019 | Cadima F24C 3/085 |
| 10,429,075 | B2 * | 10/2019 | Cadima F24C 15/107 |
| 10,429,076 | B2 * | 10/2019 | Cadima F24C 3/085 |
| 10,605,462 | B2 * | 3/2020 | Todd F24C 3/124 |
| 10,641,494 | B2 * | 5/2020 | Cadima F24C 3/085 |
| D886,524 | S * | 6/2020 | Choi D7/408 |
| 10,697,641 | B2 * | 6/2020 | Duffy F24C 3/02 |
| D894,663 | S * | 9/2020 | Harrell D7/346 |
| D903,412 | S * | 12/2020 | Nilssen D7/408 |
| 10,865,994 | B2 * | 12/2020 | Lee F24C 7/062 |
| 2004/0089288 | A1 | 5/2004 | Brown |
| 2006/0090743 | A1 | 5/2006 | Hsu |
| 2009/0044795 | A1 | 2/2009 | Shaffer et al. |
| 2010/0126495 | A1 * | 5/2010 | Shaffer F24C 3/126 126/39 E |
| 2015/0211746 | A1 | 7/2015 | Murdock |
| 2015/0265097 | A1 | 9/2015 | Poon |
| 2015/0316269 | A1 | 11/2015 | Dettloff et al. |
| 2017/0023254 | A1 | 1/2017 | Cadima |
| 2017/0030585 | A1 | 2/2017 | Mayberry et al. |
| 2017/0205076 | A1 * | 7/2017 | Cadima F24C 15/107 |
| 2017/0227235 | A1 | 8/2017 | Best et al. |
| 2018/0172279 | A1 | 6/2018 | Lah |
| 2019/0154264 | A1 * | 5/2019 | Harrell F24C 3/002 |
| 2019/0195505 | A1 * | 6/2019 | Sloyer F24C 3/027 |
| 2019/0383497 | A1 * | 12/2019 | Cowan F24C 15/107 |
| 2020/0217503 | A1 * | 7/2020 | Cadima F23N 1/005 |
| 2020/0370757 | A1 * | 11/2020 | Mok F24C 3/082 |
| 2020/0370758 | A1 * | 11/2020 | Cusimano F24C 13/00 |
| 2020/0386413 | A1 * | 12/2020 | Yungbluth F24C 15/107 |

OTHER PUBLICATIONS

Capital culinarian SRS cast iron wok ring, announced © 2020 [online], retrieved Dec. 22, 2020, retrieved from internet, <https://www.warnersstellian.com/product/11024/capital-cwr>.*

Tri-Ring Burner GLS30501 30" gas cooktop, announced © 2019 [online], retrieved Dec. 22, 2020, retrieved from internet, <https://shop.fotileglobal.com/shop/cooktops/tri-ring-burner/tri-ring-burner-gls30501/>.*

Uniquely interactive, posted at [Luxuryhome.reviewed.com](http://luxuryhome.reviewed.com), posted on Jun. 27, 2015, site visited Jan. 31, 2018, <<http://luxuryhome.reviewed.com/content/bertazzoni-mas365gasxe-36-inch-gas-range-review>>.

* cited by examiner

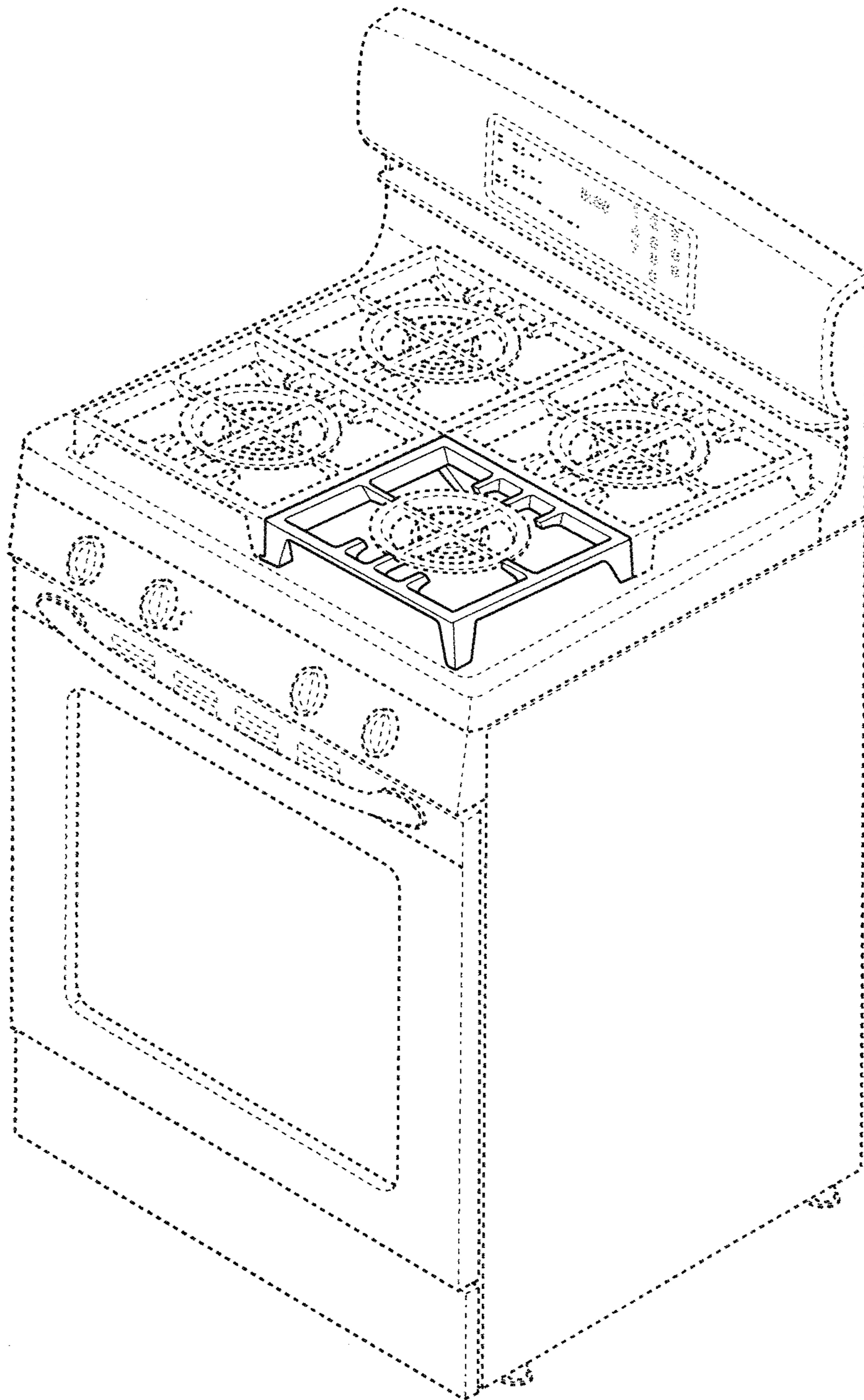


FIG. 1

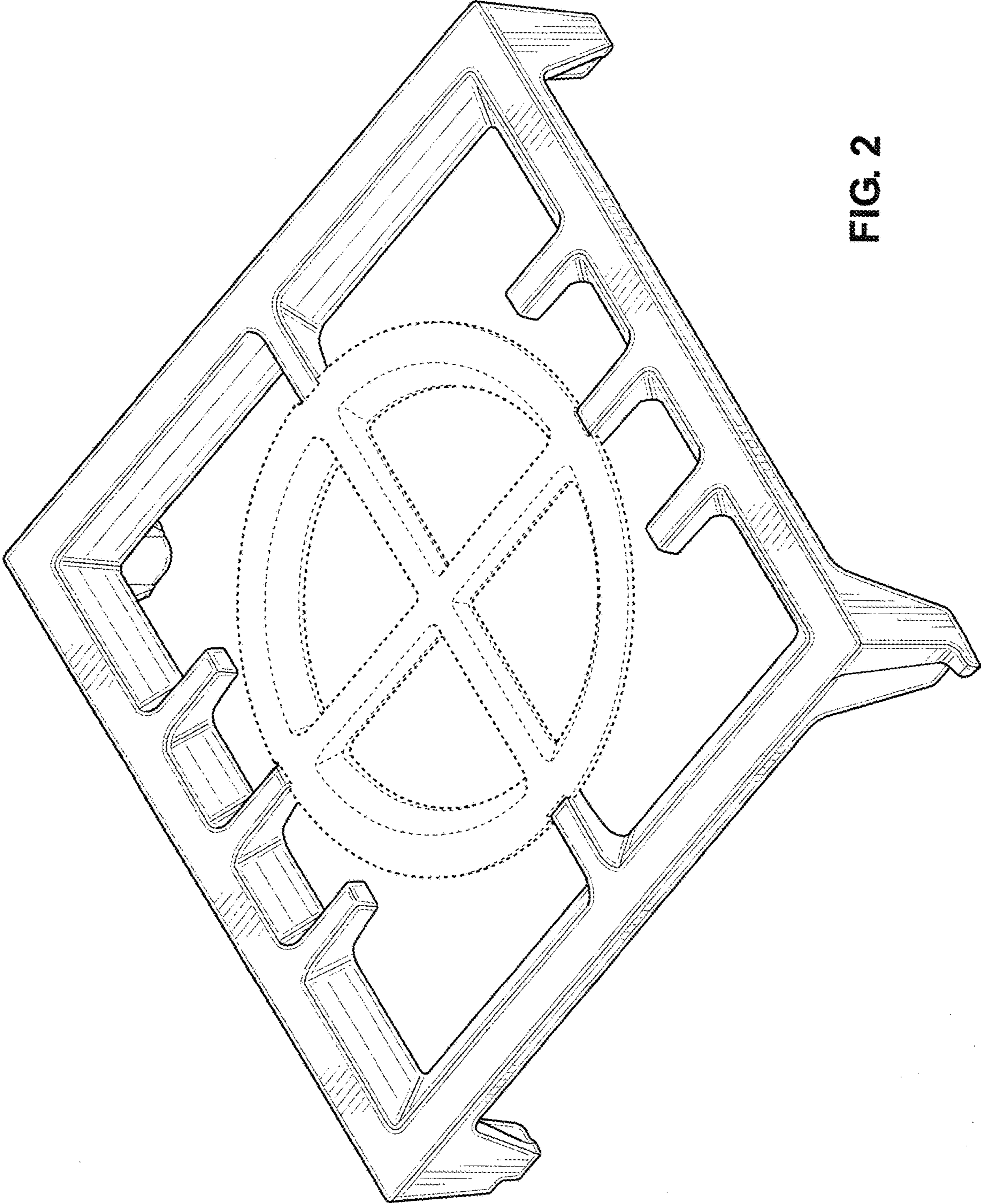


FIG. 2

FIG. 3

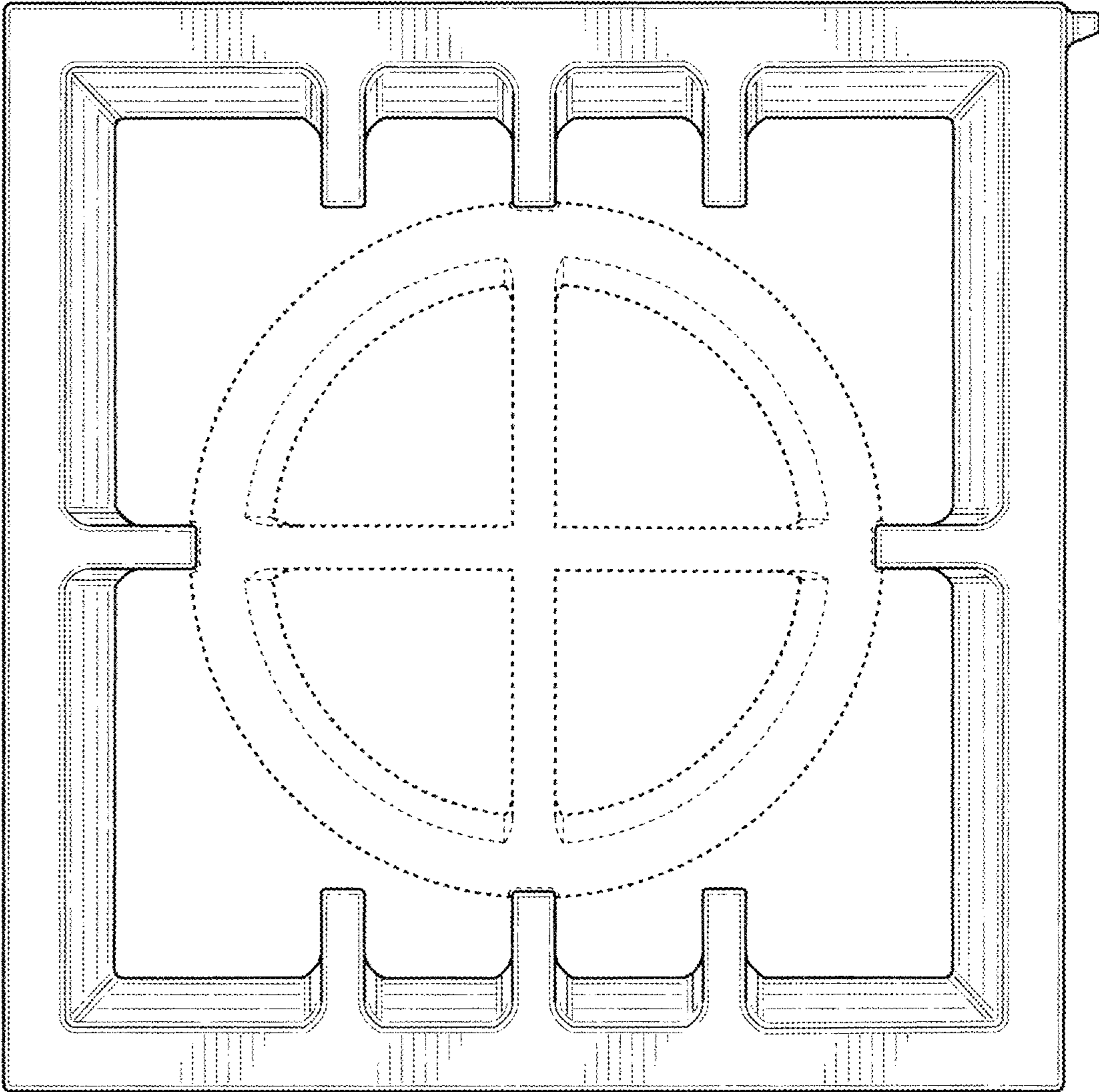
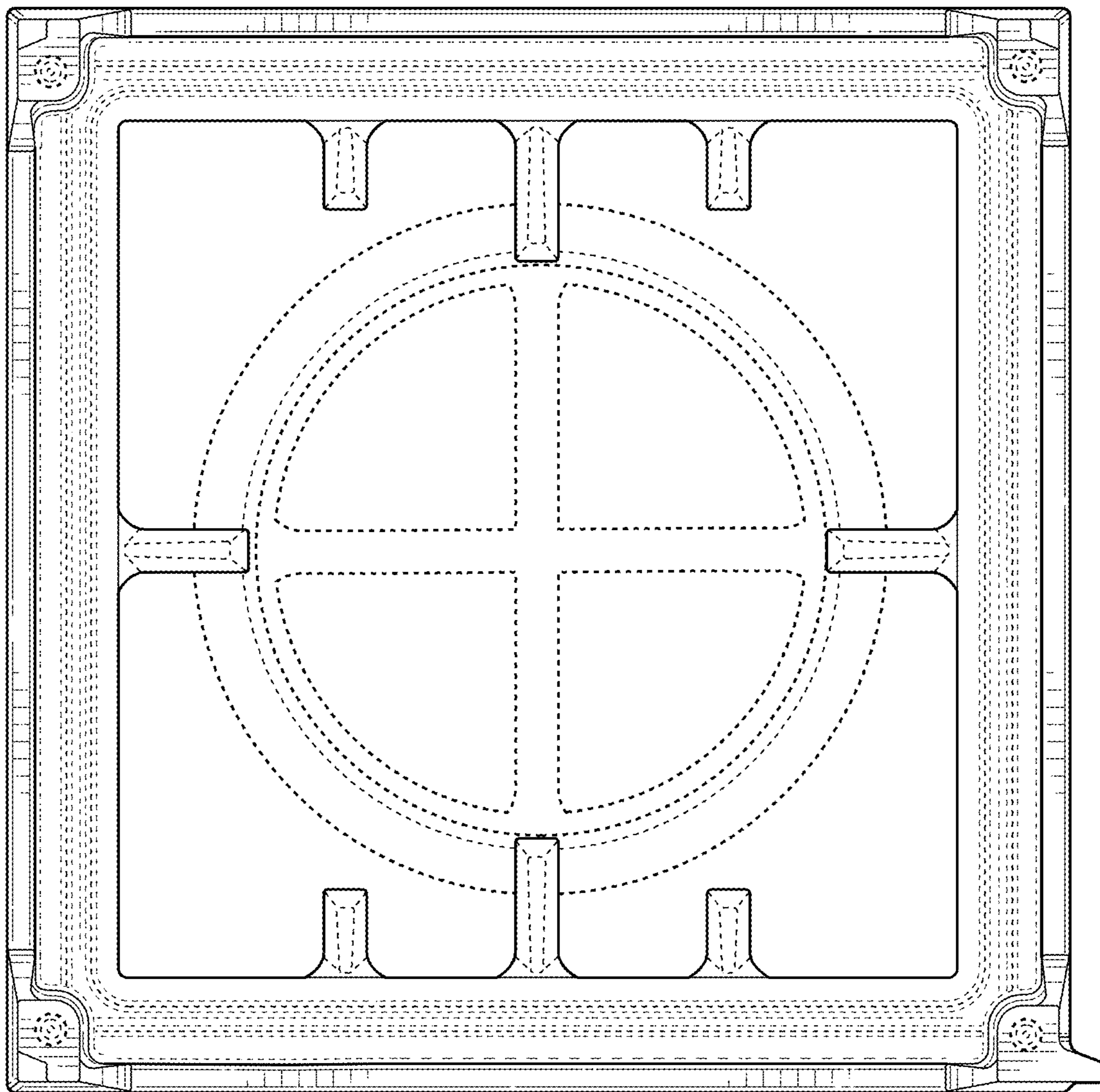


FIG. 4



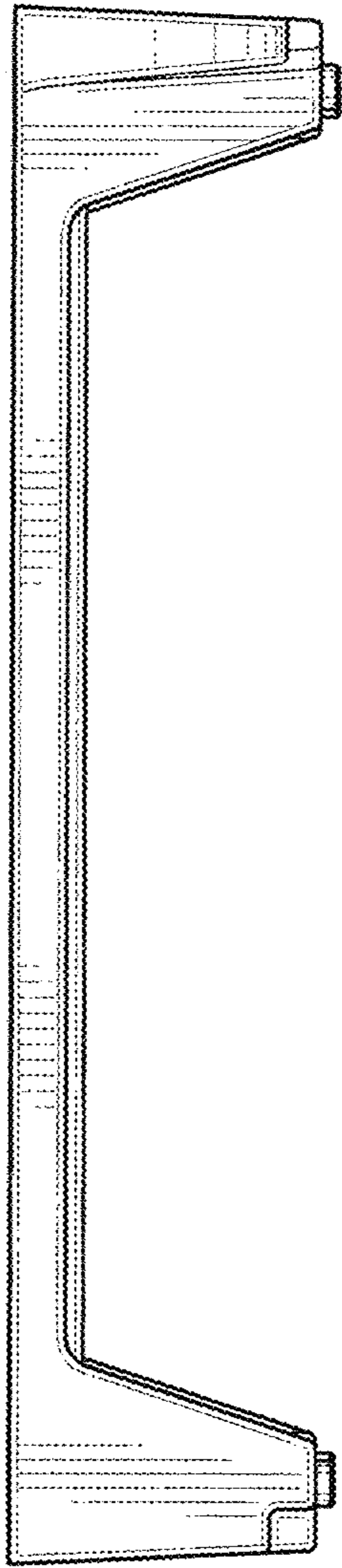


FIG. 5

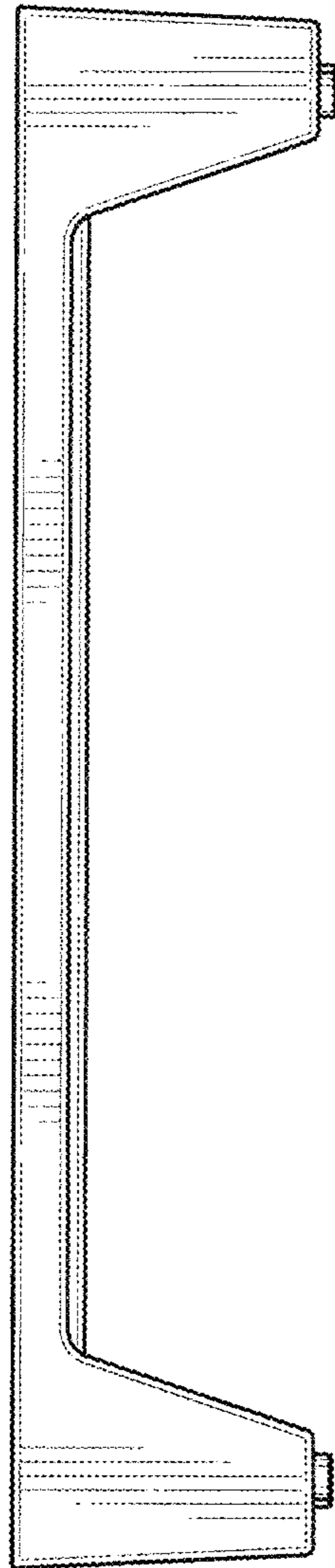


FIG. 6

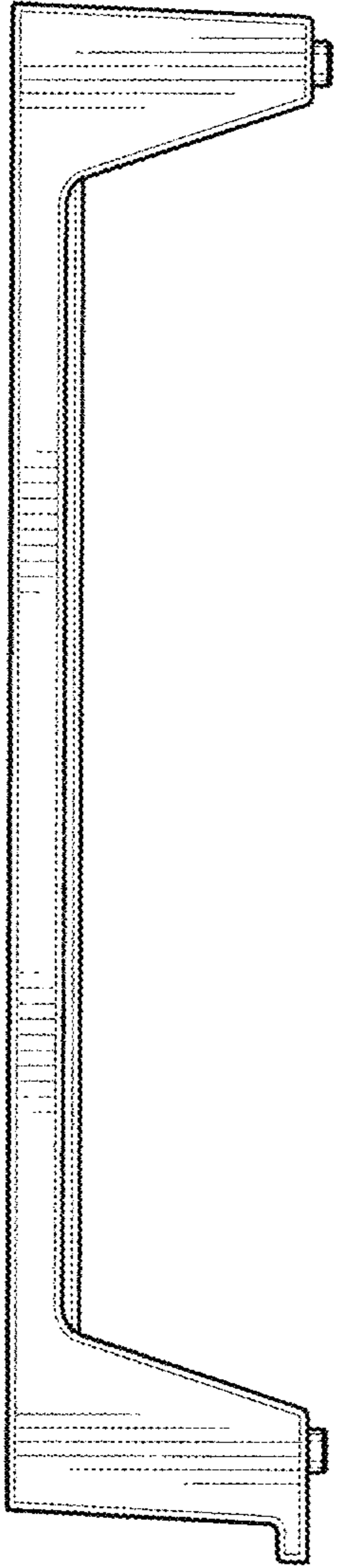


FIG. 7

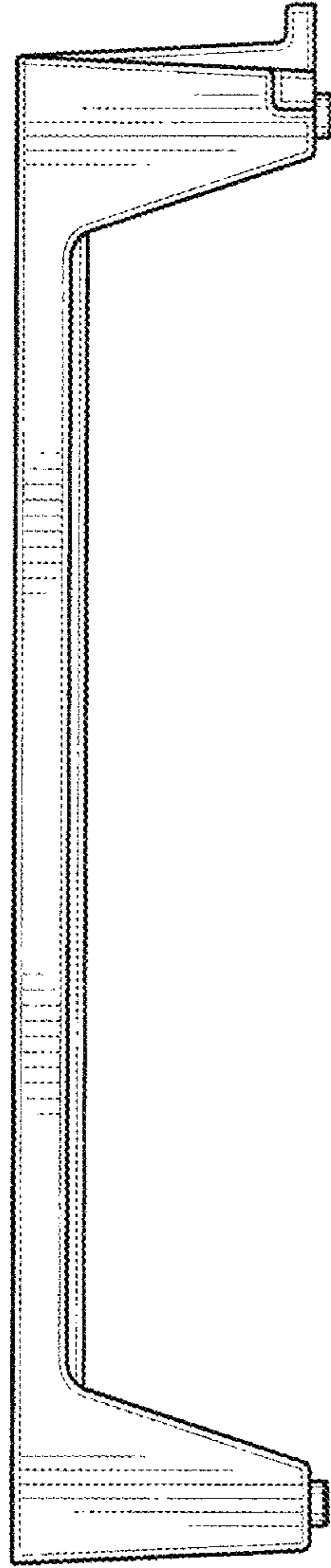


FIG. 8

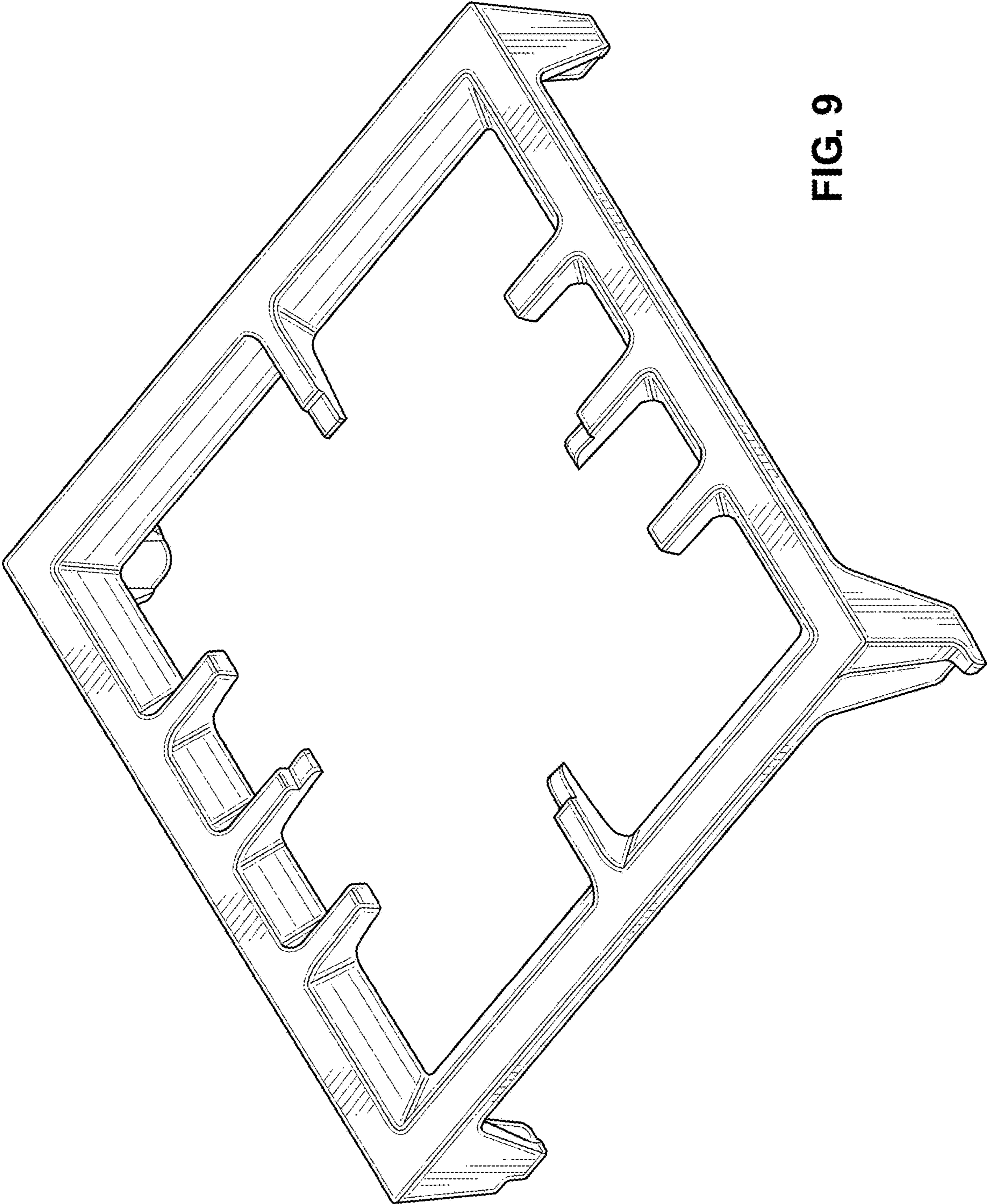


FIG. 9

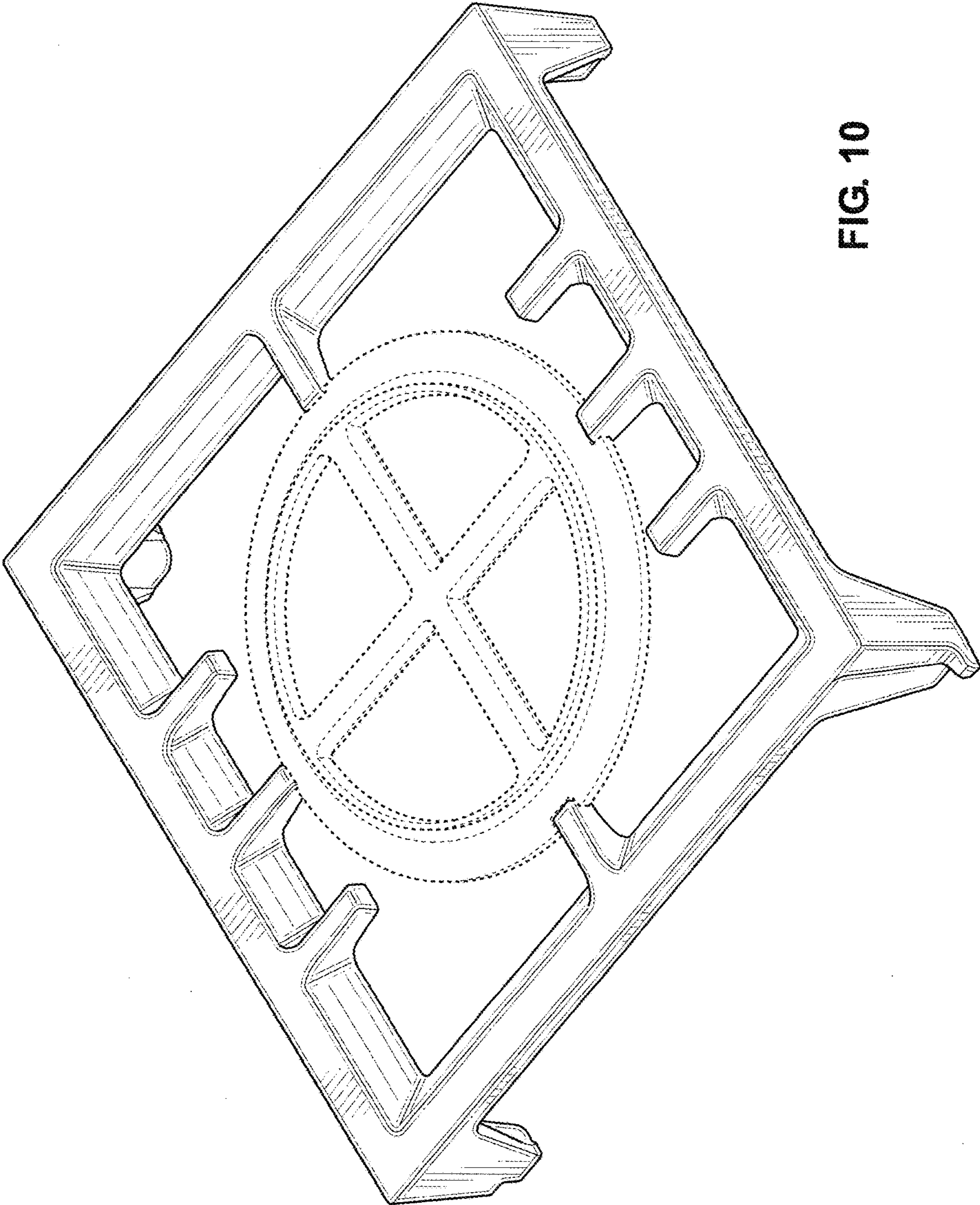


FIG. 10

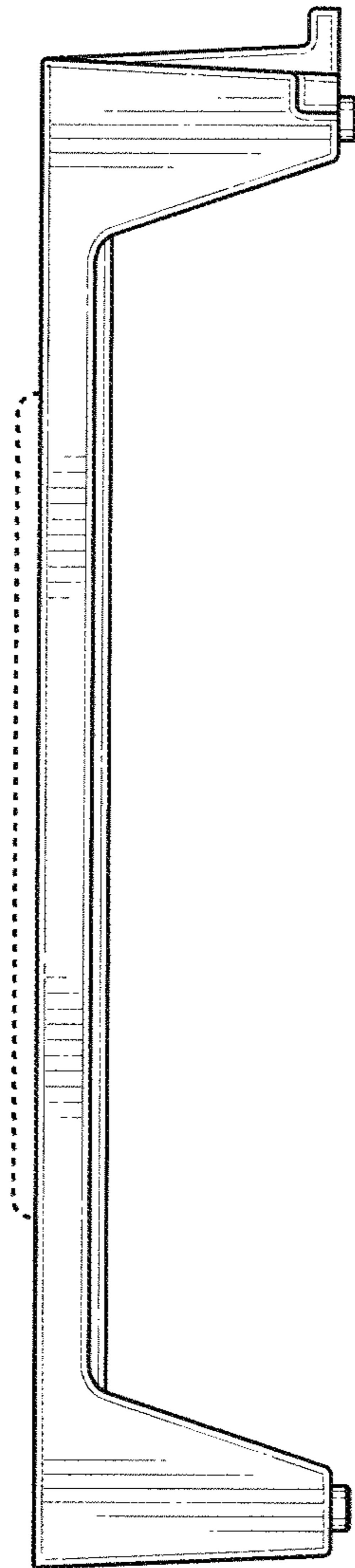


FIG. 11