



US00D930432S

(12) **United States Design Patent** (10) **Patent No.:** **US D930,432 S**  
**Hundley et al.** (45) **Date of Patent:** **\*\* Sep. 14, 2021**

(54) **COUNTERTOP APPLIANCE**

(71) Applicant: **The Vollrath Company, L.L.C.**,  
Sheboygan, WI (US)

(72) Inventors: **Jill Hundley**, Sheboygan, WI (US);  
**Rebecca Neils**, Sheboygan, WI (US)

(73) Assignee: **The Vollrath Company, L.L.C.**,  
Sheboygan, WI (US)

(\*\*) Term: **15 Years**

(21) Appl. No.: **29/741,241**

(22) Filed: **Jul. 10, 2020**

**Related U.S. Application Data**

(63) Continuation of application No. 29/678,997, filed on  
Jan. 31, 2019, now Pat. No. Des. 893,252.

(51) **LOC (13) Cl.** ..... **07-99**

(52) **U.S. Cl.**  
USPC ..... **D7/406**

(58) **Field of Classification Search**  
USPC ..... D7/402, 403, 407, 406, 408, 409, 323,  
D7/332, 334, 337, 346, 362, 363, 367;  
D10/83, 87, 94, 103  
CPC ..... G01G 19/40; G01G 21/28; A21B 2/00;  
A47J 37/00; A47J 37/06; F24C 7/00;  
F24C 15/12  
See application file for complete search history.

(56) **References Cited**

**U.S. PATENT DOCUMENTS**

D613,117 S \* 4/2010 Richburg ..... D7/409  
D705,683 S \* 5/2014 Lauer ..... D10/91  
D775,540 S \* 1/2017 Marmier ..... D10/91  
D818,770 S \* 5/2018 Boyd ..... D7/407  
D831,404 S \* 10/2018 Glucksman ..... A47J 27/002  
D7/347  
D843,866 S \* 3/2019 Mutch ..... D10/87

D865,452 S \* 11/2019 Hertaus ..... D7/554.3  
D870,579 S \* 12/2019 Zong ..... D10/91  
2008/0245580 A1 \* 10/2008 Aby-Eva ..... G01G 23/3728  
177/238

**OTHER PUBLICATIONS**

New 2019 Smallwares Countertop Equipment Catalogue, Induction  
Ranges, pp. 29-33, [https://vollrath.com/Vollrath-Files/Price-Lists/  
New\\_2019\\_Smallwares\\_Countertop\\_Equipment\\_Catalog\\_Web.  
pdf](https://vollrath.com/Vollrath-Files/Price-Lists/New_2019_Smallwares_Countertop_Equipment_Catalog_Web.pdf), accessed Jun. 3, 2019.

\* cited by examiner

*Primary Examiner* — Susan E Krakower

*Assistant Examiner* — Andrew Kerr

(74) *Attorney, Agent, or Firm* — Foley & Lardner LLP

(57) **CLAIM**

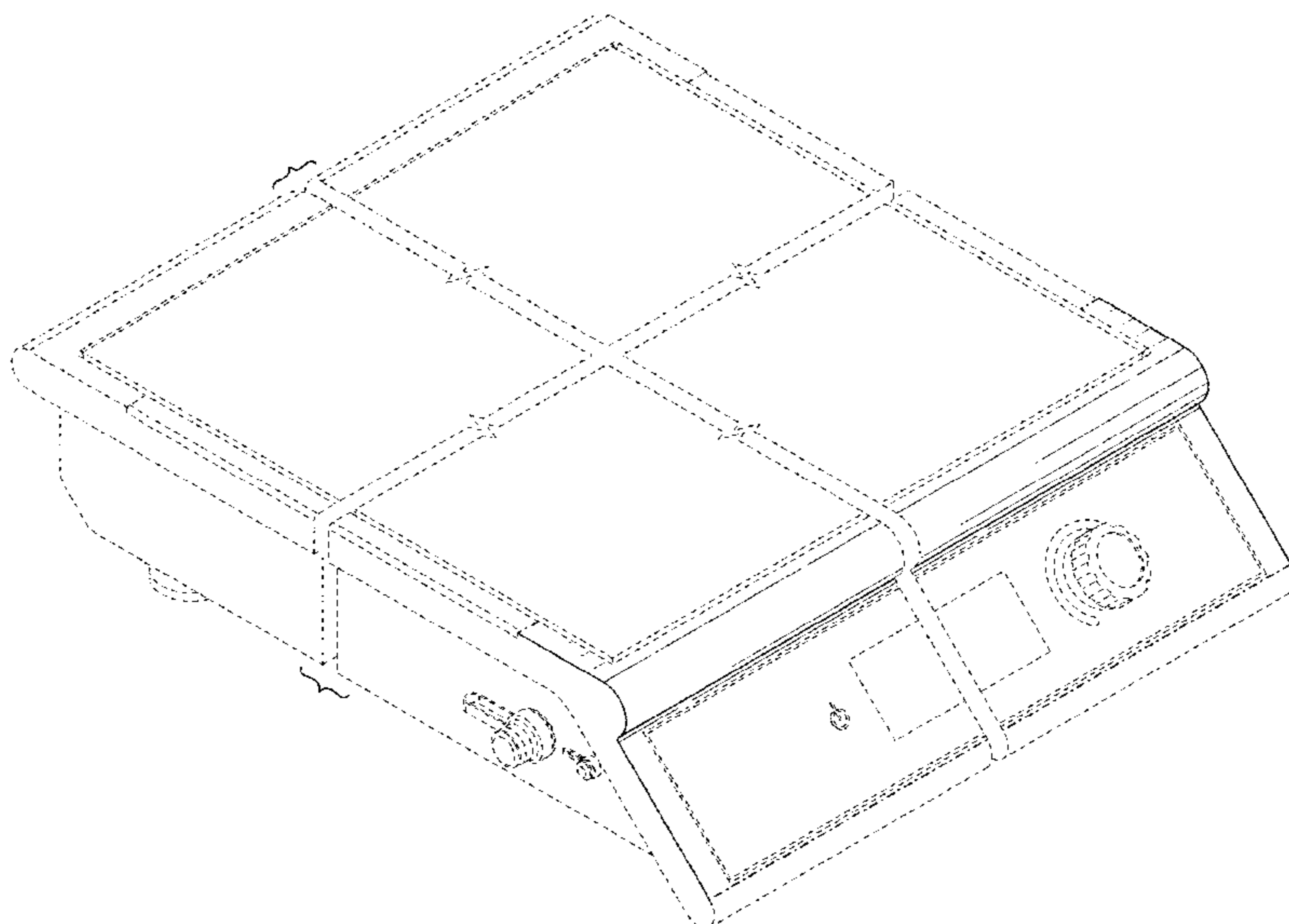
We claim the ornamental design for a countertop appliance,  
as shown and described.

**DESCRIPTION**

FIG. 1 is a front perspective view of a countertop appliance,  
showing our new design;  
FIG. 2 is a front elevation view thereof;  
FIG. 3 is a rear elevation view thereof;  
FIG. 4 is a right side elevation view thereof;  
FIG. 5 is a left side elevation view thereof;  
FIG. 6 is a top plan view thereof; and,  
FIG. 7 is a bottom plan view thereof.

The even spaced broken lines in the figure drawings depict  
portions of the countertop appliance that form no part of the  
claimed design. The dash-dot broken lines in the figure  
drawings define the bounds of the claimed design and form  
no part thereof. The countertop appliance is shown with a  
symbolic break in its length. The appearance of any portion  
of the article between the break lines forms no part of the  
claimed design.

**1 Claim, 5 Drawing Sheets**



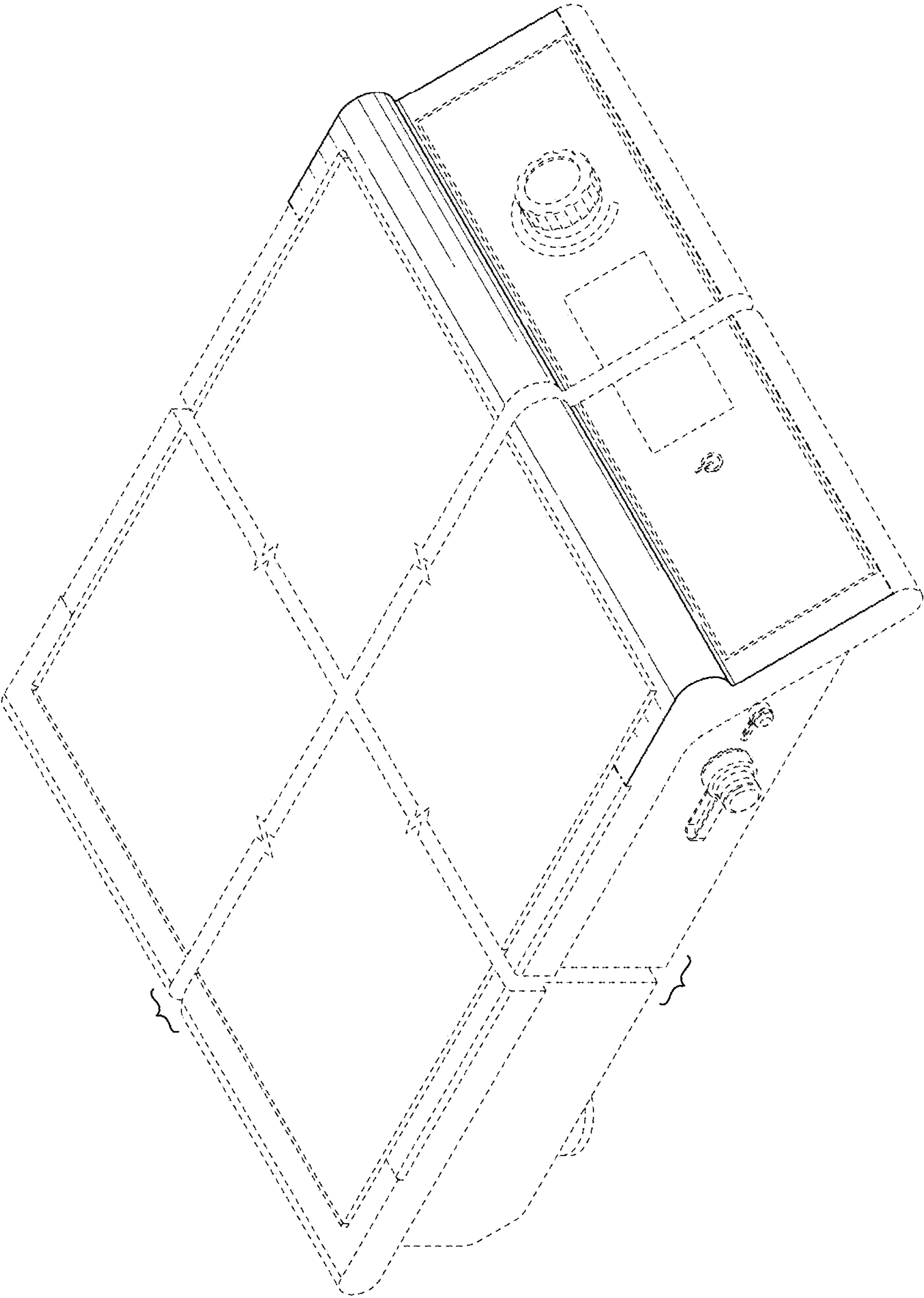


FIG. 1

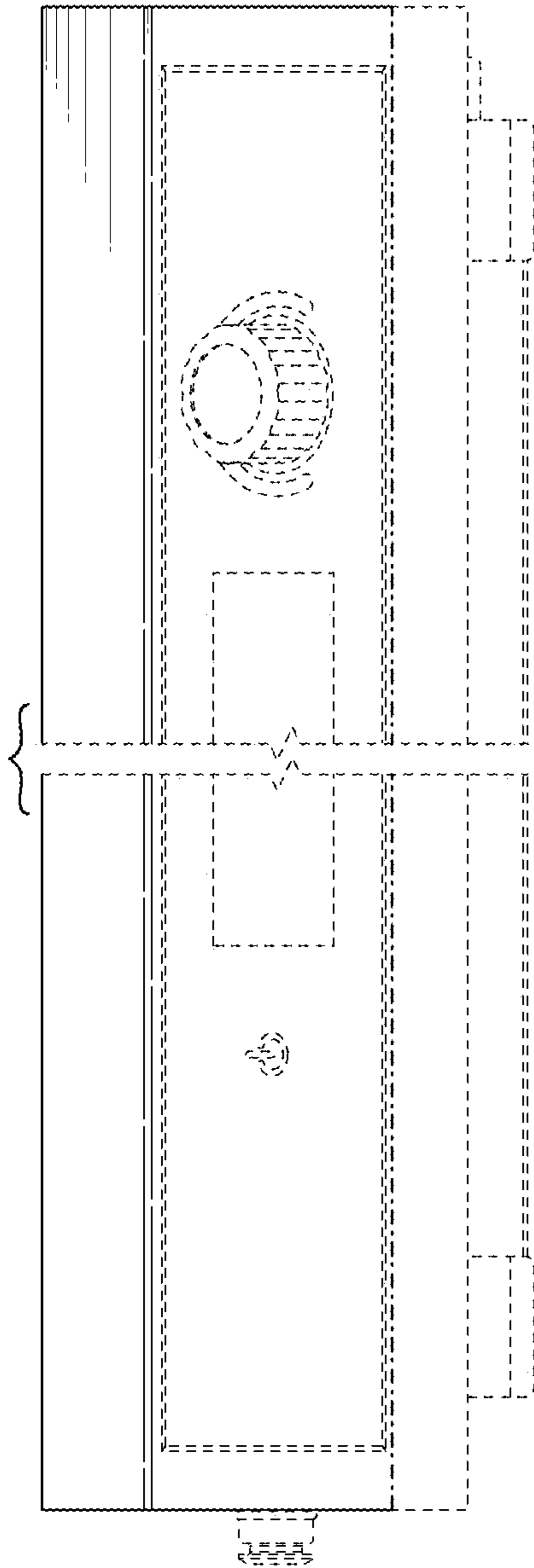


FIG. 2

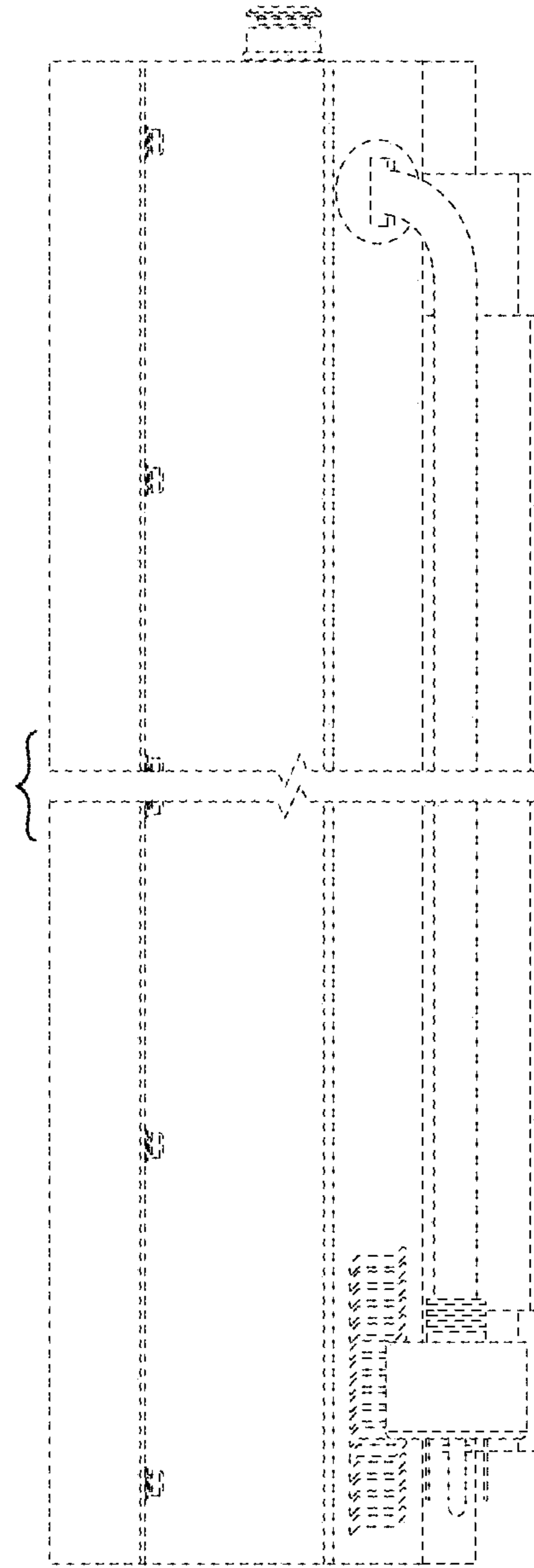


FIG. 3

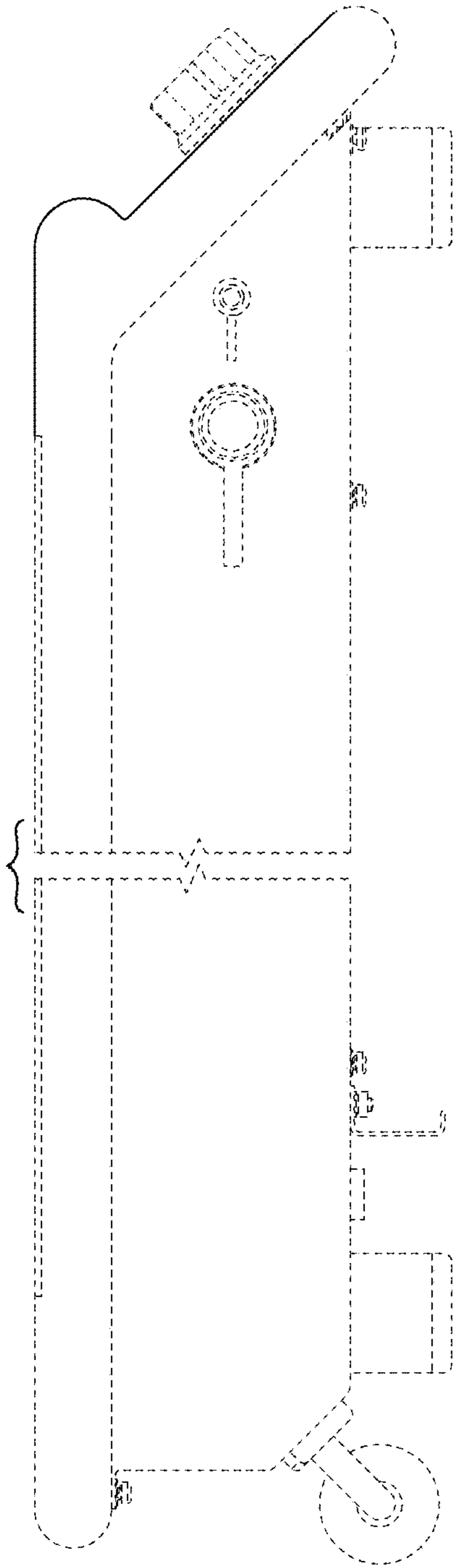


FIG. 4

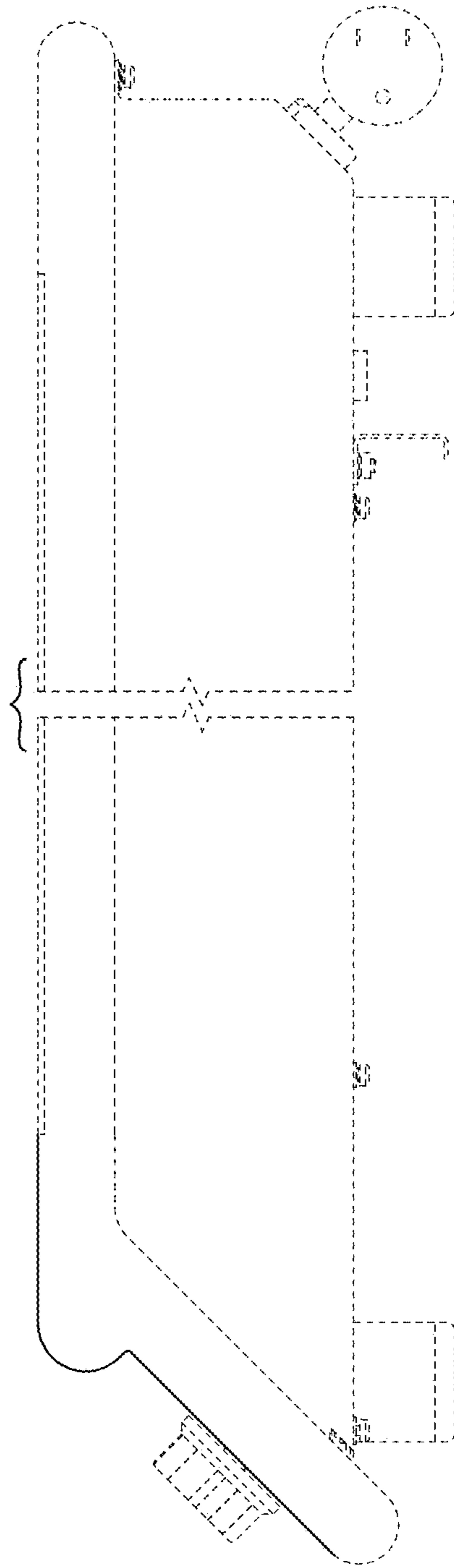


FIG. 5

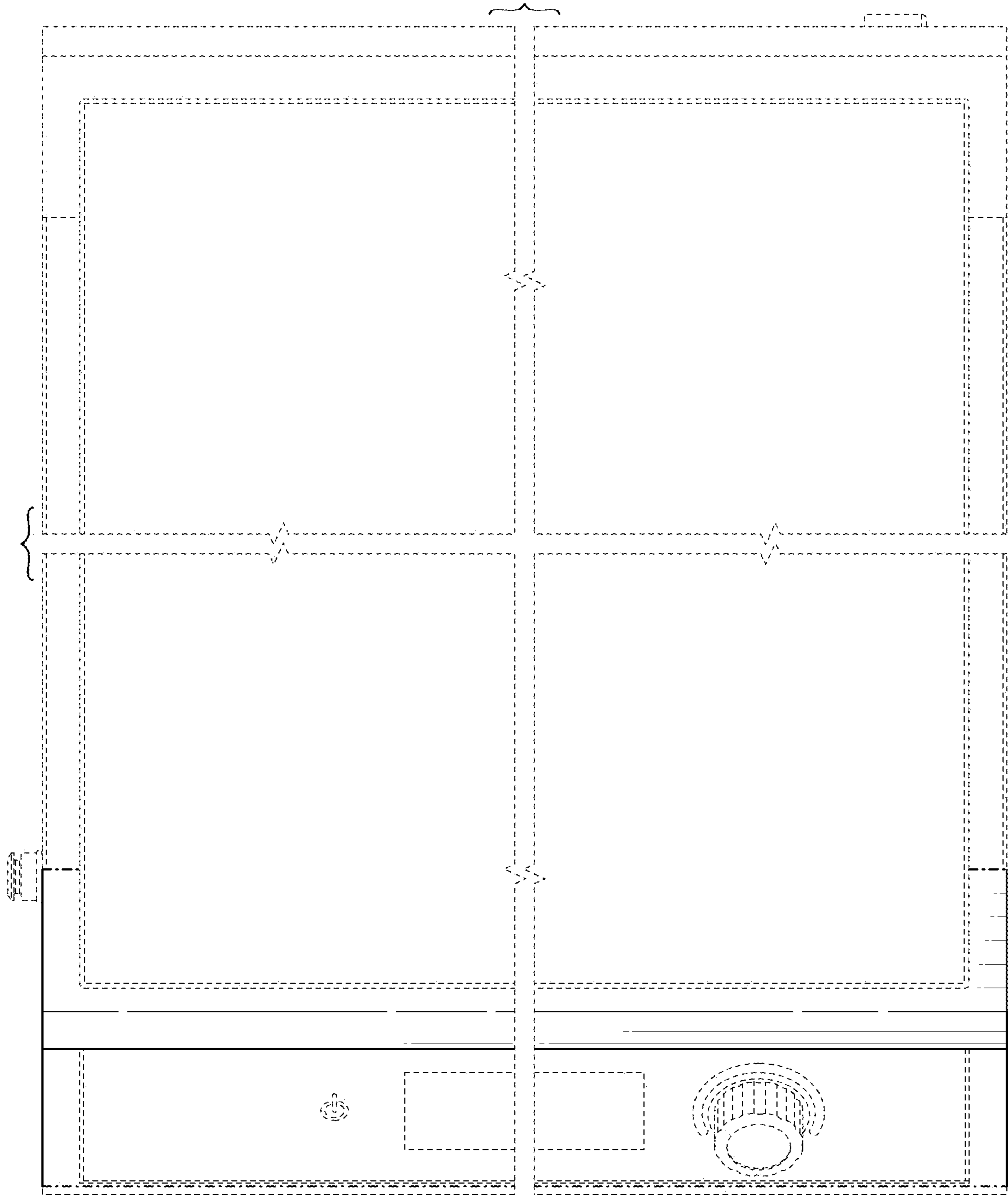


FIG. 6

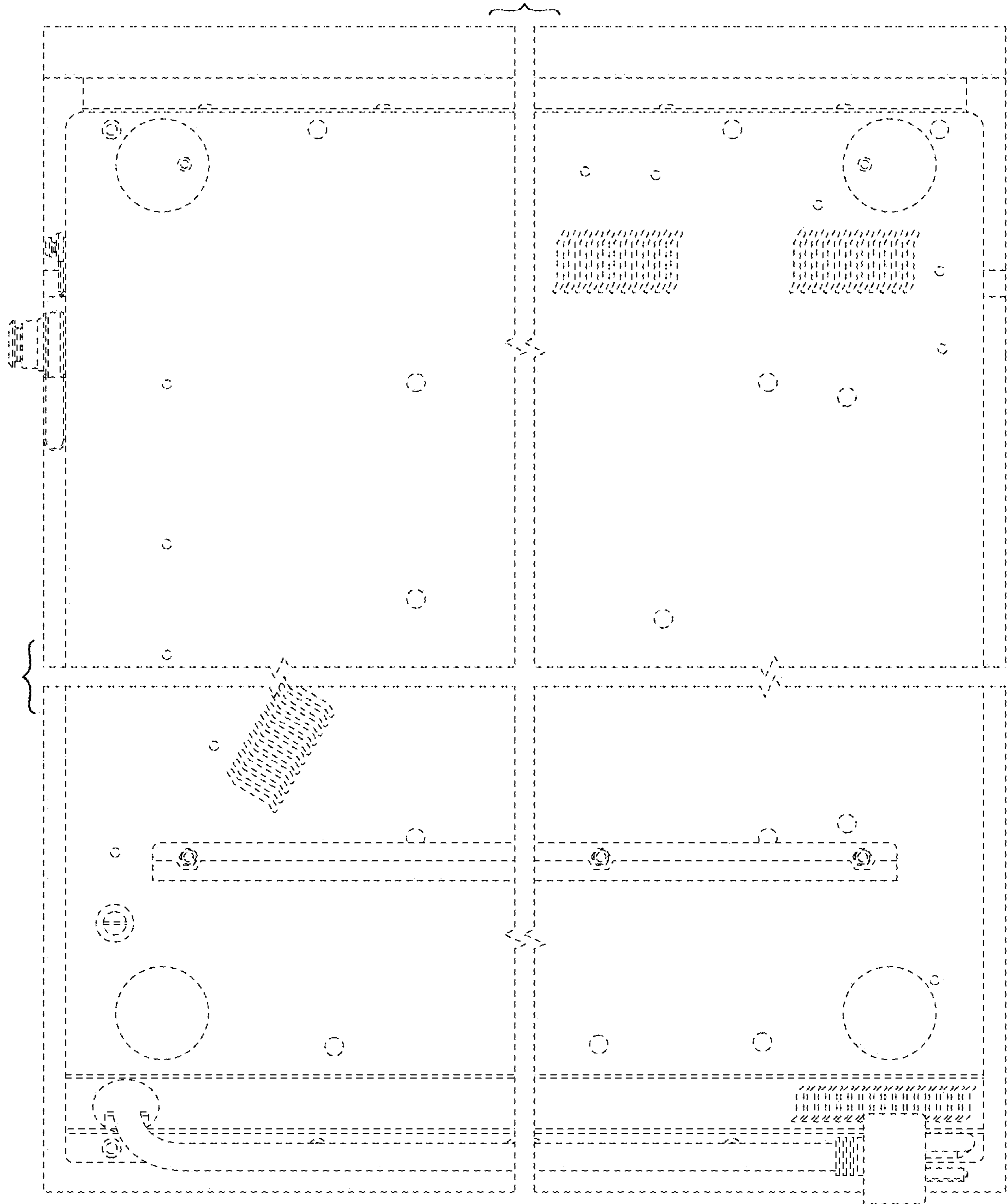


FIG. 7