



US00D930431S

(12) **United States Design Patent**
Cox et al.

(10) **Patent No.:** **US D930,431 S**

(45) **Date of Patent:** **** Sep. 14, 2021**

(54) **DRINKING ACCESSORY**

(71) Applicant: **2568859 Ontario Inc.**, Alliston (CA)

(72) Inventors: **Robert Eldon James Cox**, Alliston (CA); **Andre Marcel Rose-Green**, Mississauga (CA)

(73) Assignee: **2568859 Ontario Inc.**, Alliston (CA)

(**) Term: **15 Years**

(21) Appl. No.: **29/674,431**

(22) Filed: **Dec. 21, 2018**

(51) **LOC (13) Cl.** **07-99**

(52) **U.S. Cl.**
USPC **D7/396.2; D7/396.3**

(58) **Field of Classification Search**
USPC D7/387, 388, 391, 392.1, 396.1, 393, D7/396, 396.6, 507, 509, 510, 511, 396.3, D7/396.2; D13/171, 174; D9/435, 436, D9/454, 455, 456, 439
CPC A47G 19/22; A47G 19/2211; A47G 19/2216; A47F 3/16; A47J 27/21008; A47J 27/21041
See application file for complete search history.

(56) **References Cited**

U.S. PATENT DOCUMENTS

| | | | | | |
|-----------|-----|---------|-------------------|-------|-----------------------|
| 2,075,721 | A * | 3/1937 | Hommel | | B65D 25/48 220/717 |
| 3,103,297 | A * | 9/1963 | Taft | | B65D 25/48 220/718 |
| 3,185,341 | A * | 5/1965 | Barbour | | B65D 25/48 220/718 |
| 3,413,128 | A | 11/1968 | Steinbarth et al. | | |

(Continued)

Primary Examiner — Jae Liang

(74) *Attorney, Agent, or Firm* — Kevin Shipley; Fogler, Rubinoff LLP

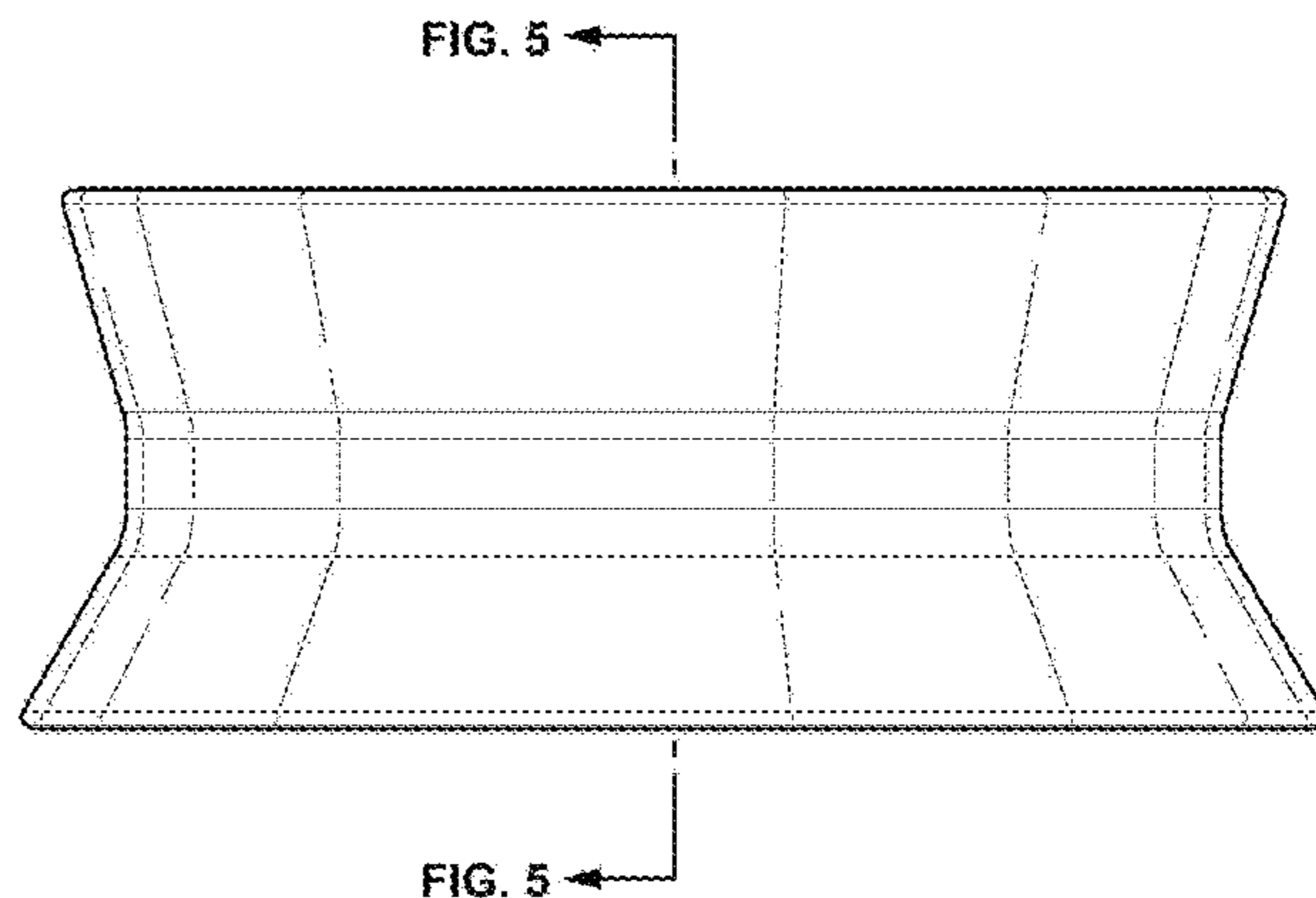
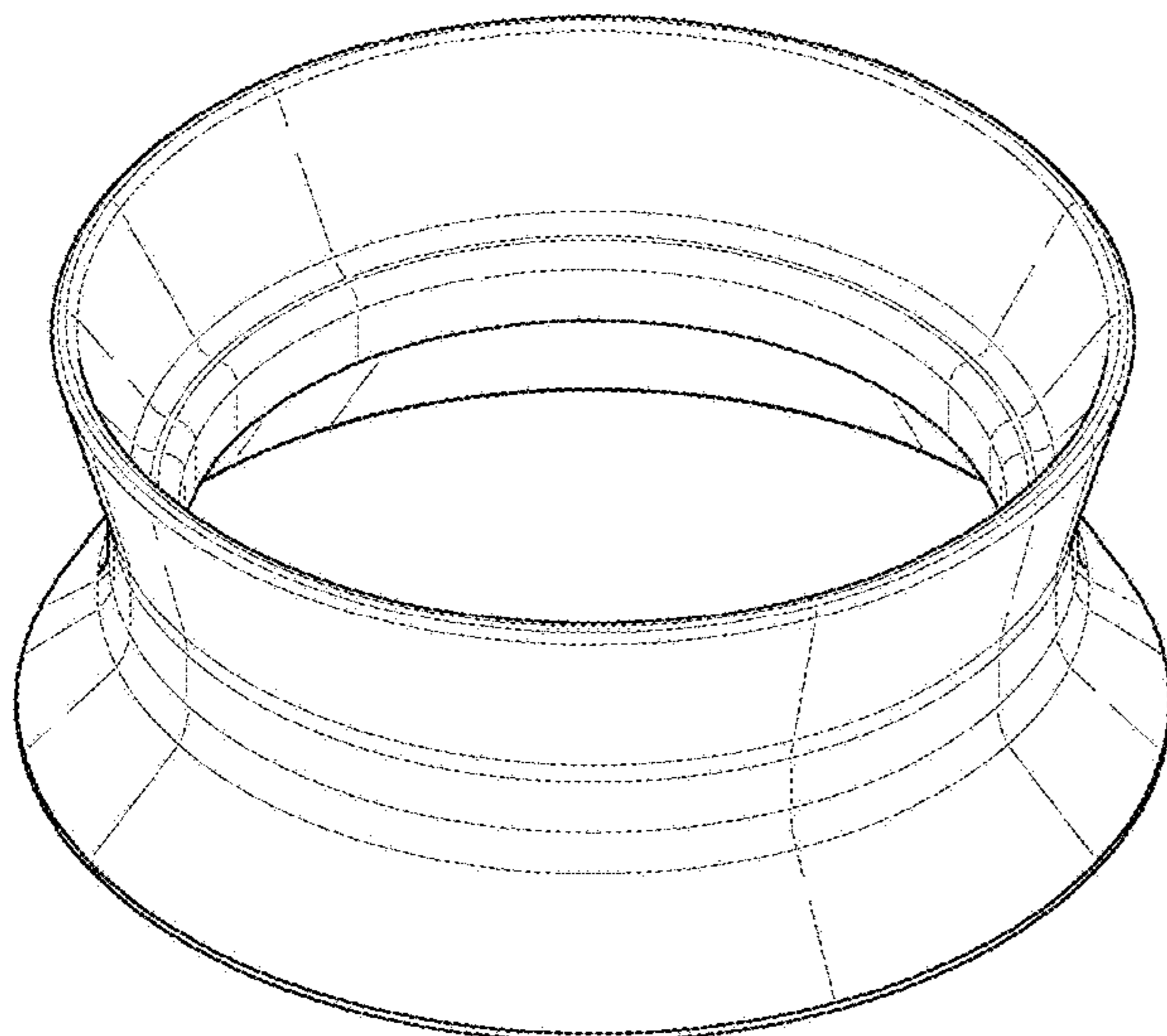
(57) **CLAIM**

The ornamental design of a drinking accessory, as shown and described.

DESCRIPTION

FIG. 1 is a top front isometric view of a first embodiment of a drinking accessory showing our new design;
 FIG. 2 is a front elevation view of the drinking accessory of FIG. 1, with the rear, left side and right side elevation views being identical thereto;
 FIG. 3 is a top view of the drinking accessory of FIG. 1;
 FIG. 4 is a bottom view of the drinking accessory of FIG. 1;
 FIG. 5 is a cross-sectional view taken along line 5-5 in FIG. 2;
 FIG. 6 is a top front isometric view of a second embodiment of a drinking accessory;
 FIG. 7 is a front elevation view of the drinking accessory of FIG. 6, with the rear, left side and right side elevation views being identical thereto;
 FIG. 8 is a top view of the drinking accessory of FIG. 6;
 FIG. 9 is a bottom view of the drinking accessory of FIG. 6;
 FIG. 10 is a cross-sectional view taken along line 10-10 in FIG. 7;
 FIG. 11 is a top front isometric view of a third embodiment of a drinking accessory;
 FIG. 12 is a front elevation view of the drinking accessory of FIG. 11, with the rear, left side and right side elevation views being identical thereto;
 FIG. 13 is a top view of the drinking accessory of FIG. 11;
 FIG. 14 is a bottom view of the drinking accessory of FIG. 11; and,
 FIG. 15 is a cross-sectional view taken along line 15-15 in FIG. 12.
 The dash-dotted lines in the drawings depict portions of the drinking accessory that form no part of the claimed design.

1 Claim, 15 Drawing Sheets



(56)

References Cited

U.S. PATENT DOCUMENTS

3,740,239 A 6/1973 Chancellor
 4,054,205 A * 10/1977 Blow, Jr. B65D 25/20
 206/217
 D265,280 S * 7/1982 Conti D7/387
 4,715,510 A 12/1987 Van der Meulen
 4,717,037 A 1/1988 Van Der Meulen
 D348,590 S * 7/1994 Scott D7/387
 5,452,818 A 9/1995 Yost
 5,635,229 A 6/1997 Ray
 5,732,851 A 3/1998 Griffin et al.
 D395,195 S * 6/1998 Heiberg D7/387
 5,823,384 A * 10/1998 Sartori de Zamparolo
 B65D 25/48
 220/717
 D457,034 S * 5/2002 Bodum D7/510
 D552,927 S * 10/2007 O'Leary D7/387
 D603,218 S * 11/2009 Hollinger D7/378
 D612,197 S * 3/2010 Chan D7/392.1
 D641,623 S * 7/2011 Fields D9/435
 D669,781 S * 10/2012 Fields D9/435
 8,302,803 B1 11/2012 Greenberg et al.
 8,469,186 B2 6/2013 Pradeep
 D687,144 S * 7/2013 Gronberg D24/127
 D693,628 S * 11/2013 Tavenner D7/392.1
 8,783,166 B2 7/2014 Kramer
 8,915,391 B2 12/2014 Radow
 D727,090 S * 4/2015 St. Jacques D7/388

9,352,883 B2 * 5/2016 Tavenner A47G 19/12
 D781,149 S * 3/2017 Kaplan D9/499
 D783,358 S * 4/2017 Schlegel D7/510
 9,708,108 B2 * 7/2017 Gregory A47G 19/2272
 D809,913 S * 2/2018 Kuo D9/426
 D817,762 S * 5/2018 French D9/456
 D820,634 S * 6/2018 Michie D7/392.1
 D825,330 S * 8/2018 Tahmas D9/436
 D830,767 S * 10/2018 Gordon D7/392.1
 D871,130 S * 12/2019 Reiner D7/391
 D878,154 S * 3/2020 Kim D7/505
 D892,422 S * 8/2020 Cedillo D34/2
 D907,503 S * 1/2021 Butter B65D 1/165
 D9/518
 2005/0098561 A1 5/2005 Schwoebel
 2006/0222743 A1 10/2006 Bikas-Smith
 2007/0075079 A1 4/2007 Stokes
 2007/0092612 A1 4/2007 Mitchell et al.
 2007/0295768 A1 * 12/2007 Gringer B44D 3/14
 222/570
 2008/0038445 A1 2/2008 Mendelson
 2008/0083639 A1 4/2008 Peterman et al.
 2011/0198352 A1 * 8/2011 Lown B65D 47/32
 220/254.8
 2015/0232233 A1 * 8/2015 Kent B44D 3/128
 222/570
 2017/0273341 A1 9/2017 Wagner
 2017/0320640 A1 * 11/2017 Steinmann A45F 3/16
 2018/0110350 A1 * 4/2018 Bingham A47G 23/02
 2019/0233169 A1 * 8/2019 Hoyos B65D 25/48
 * cited by examiner

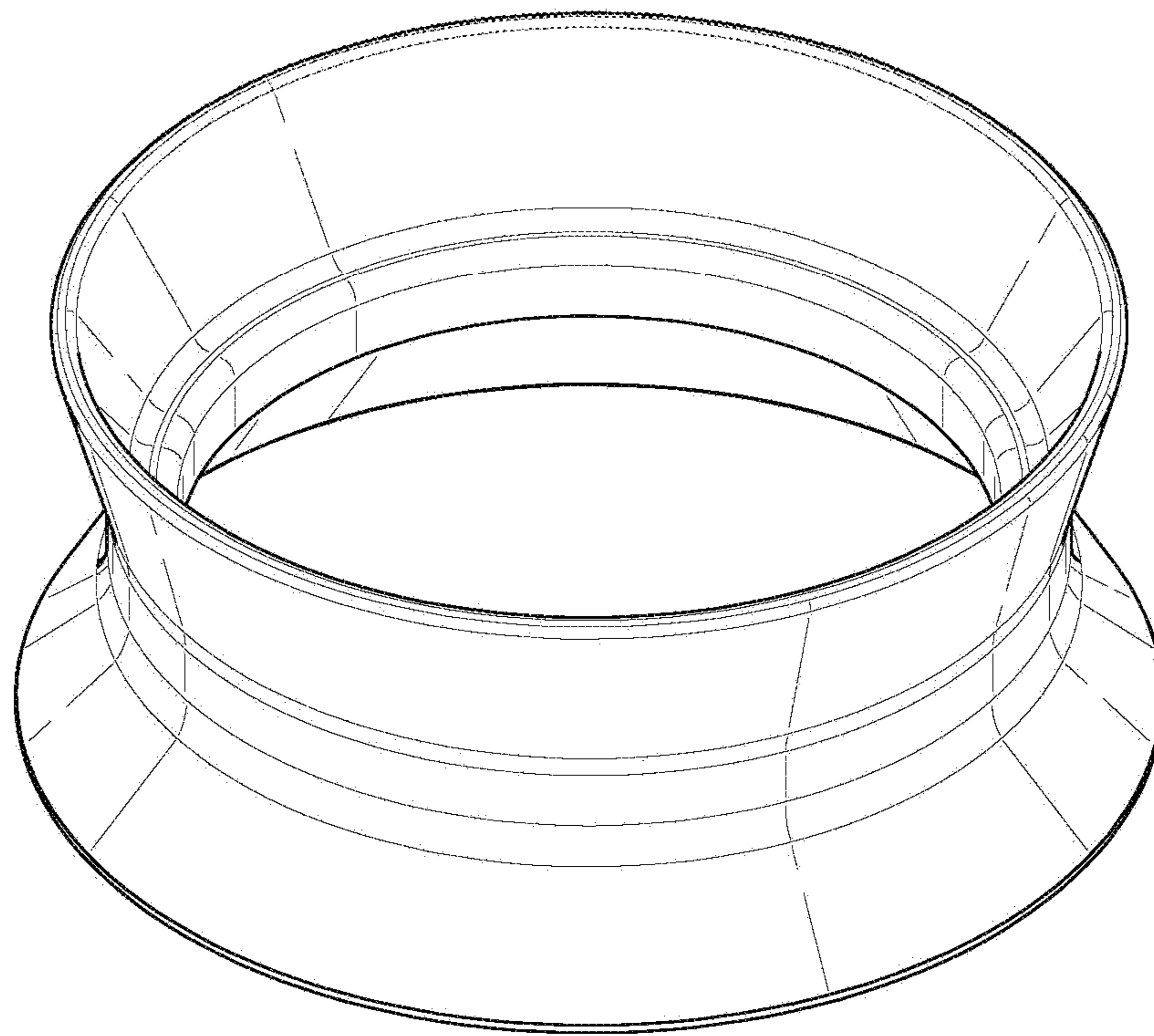


FIG. 1

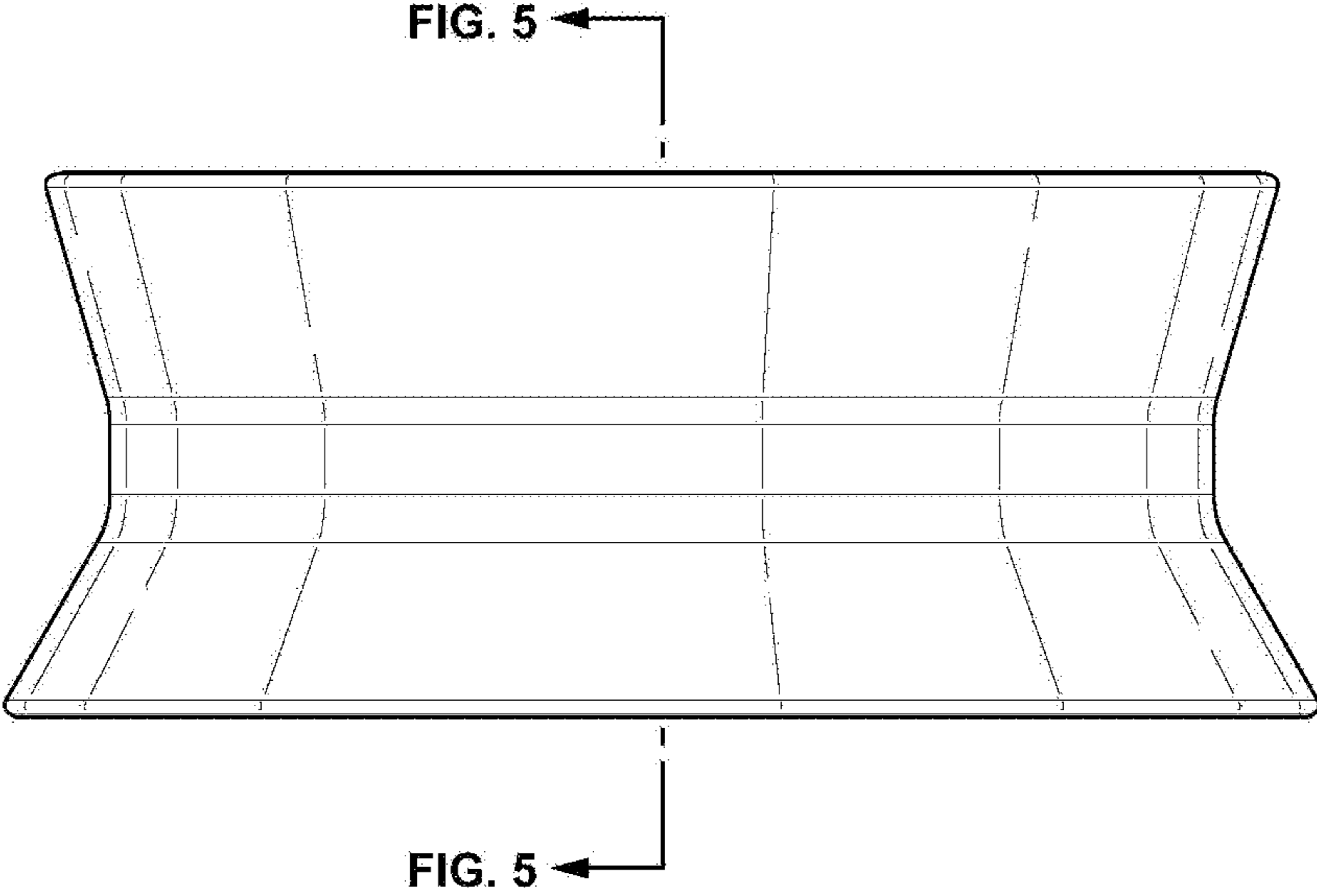


FIG. 2

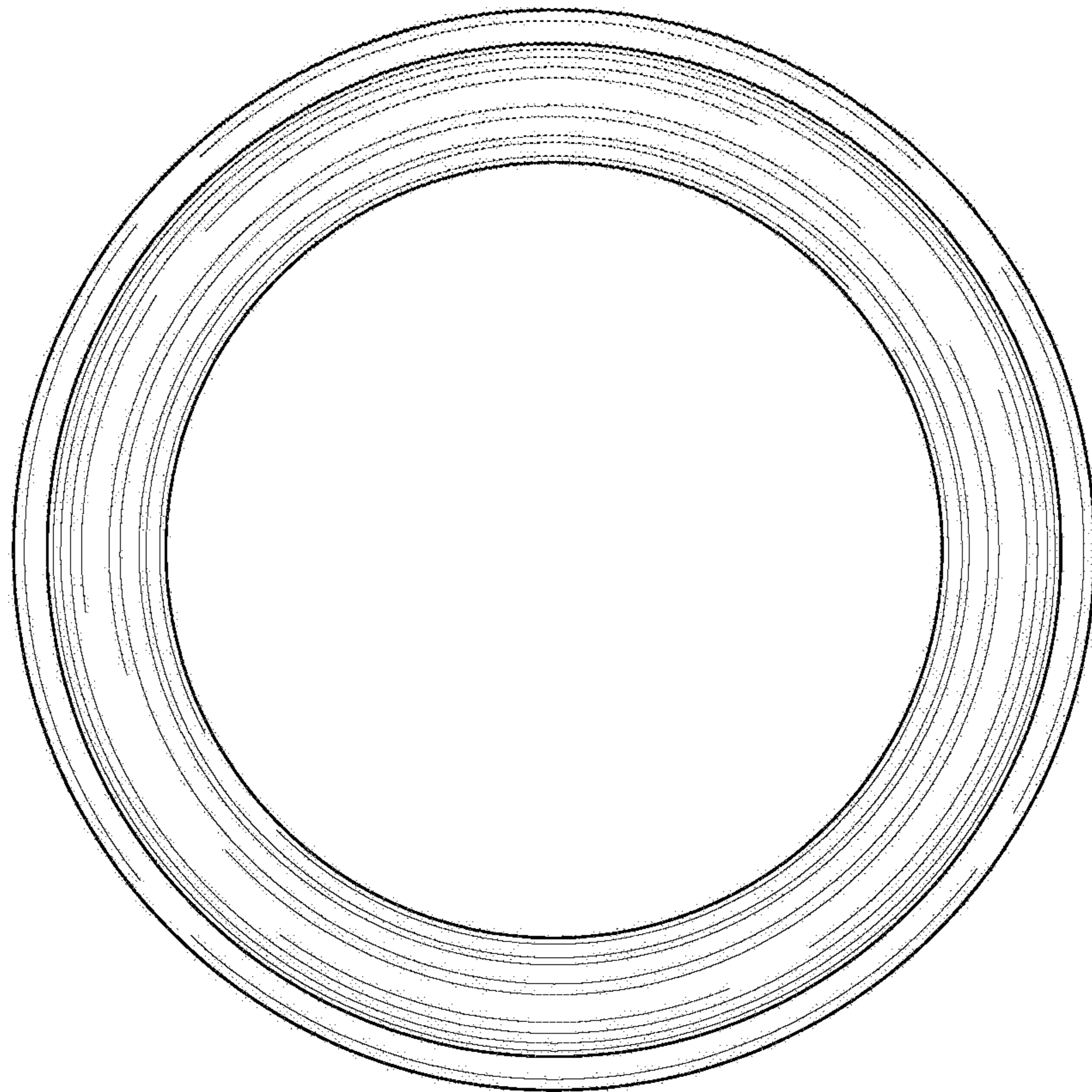


FIG. 3

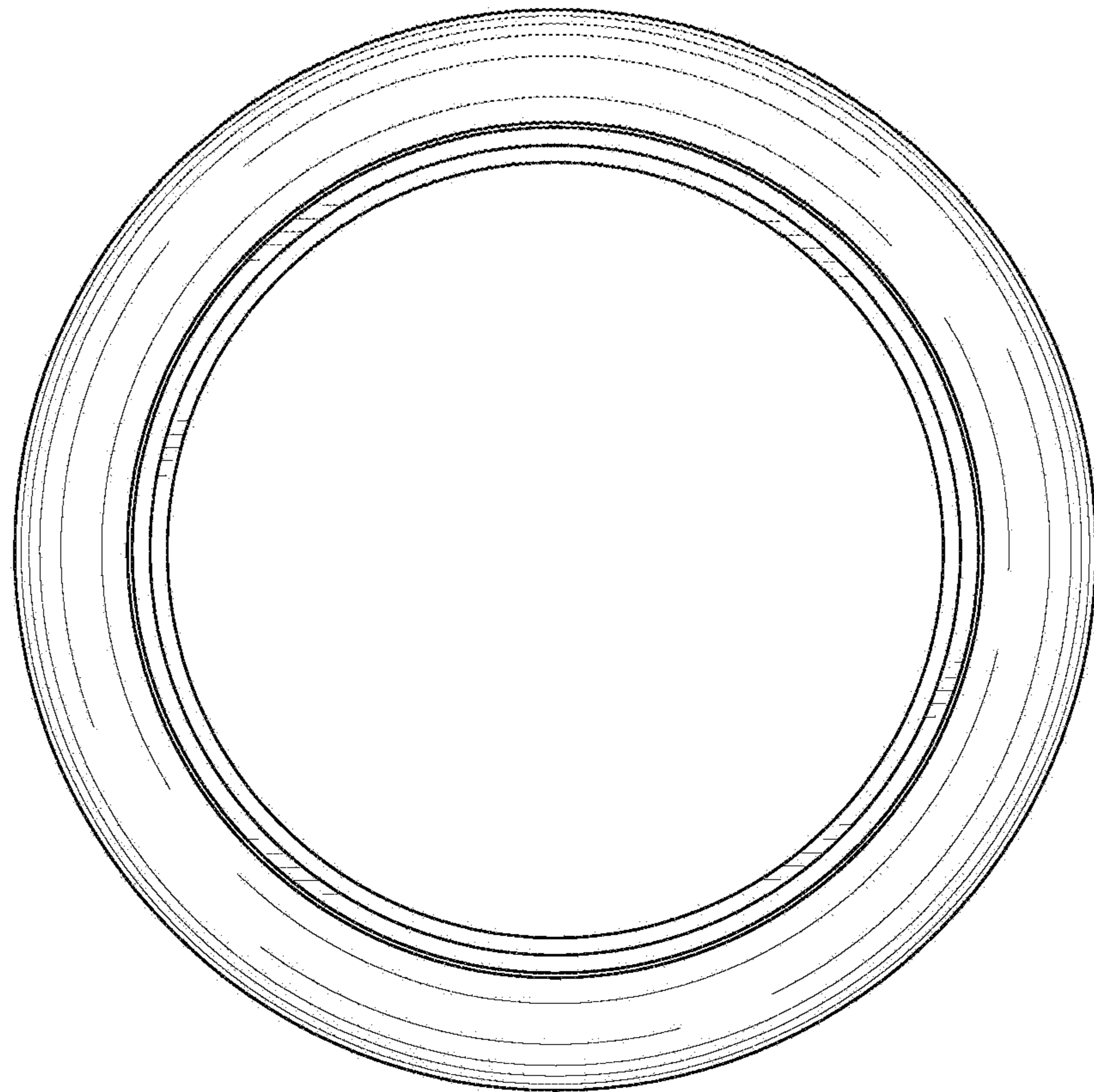


FIG. 4

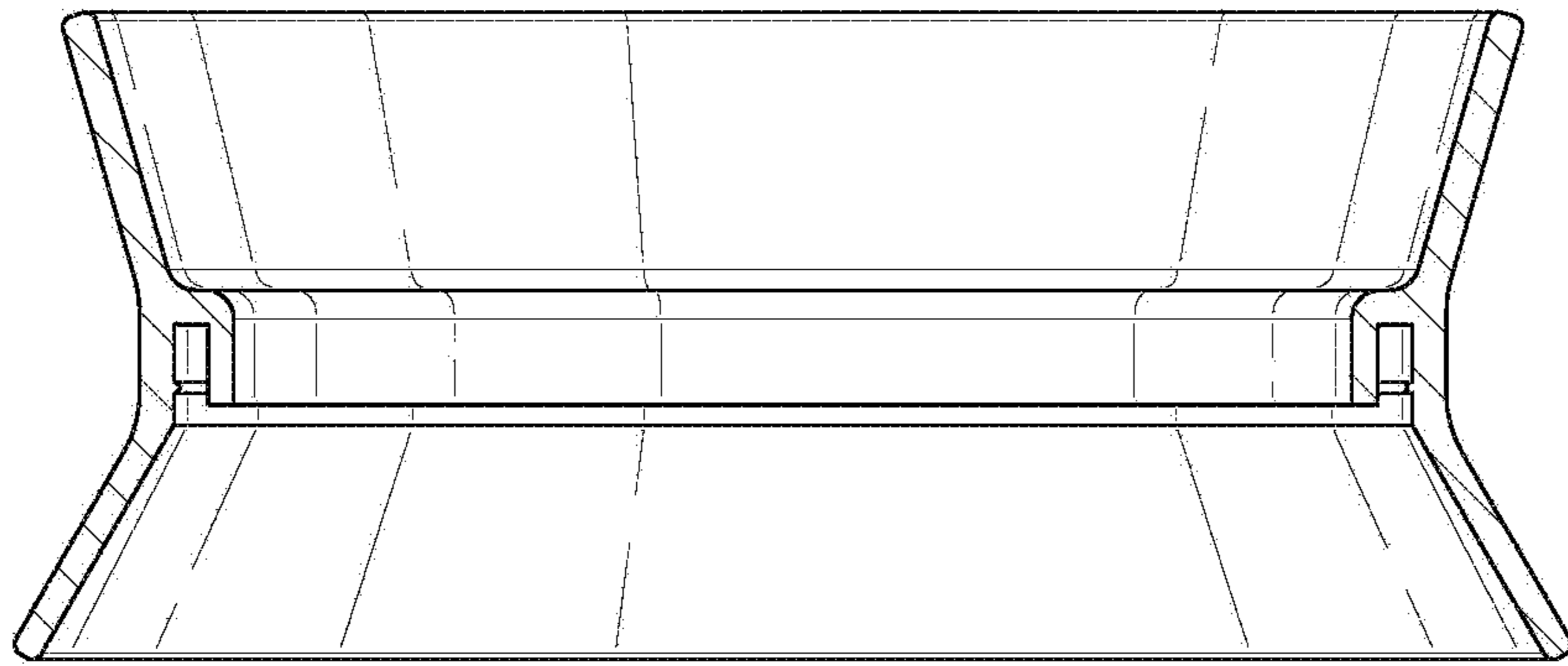


FIG. 5

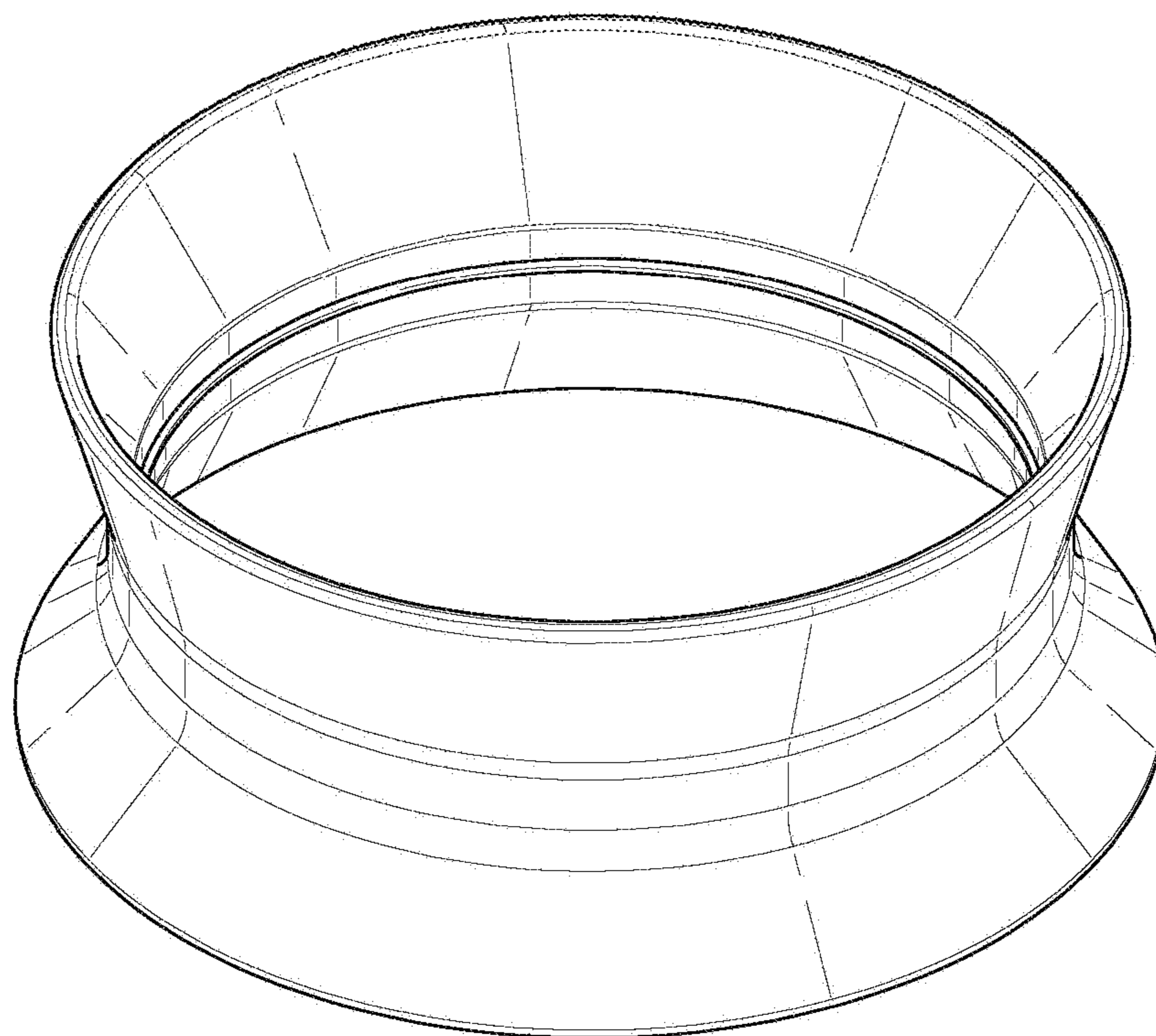


FIG. 6

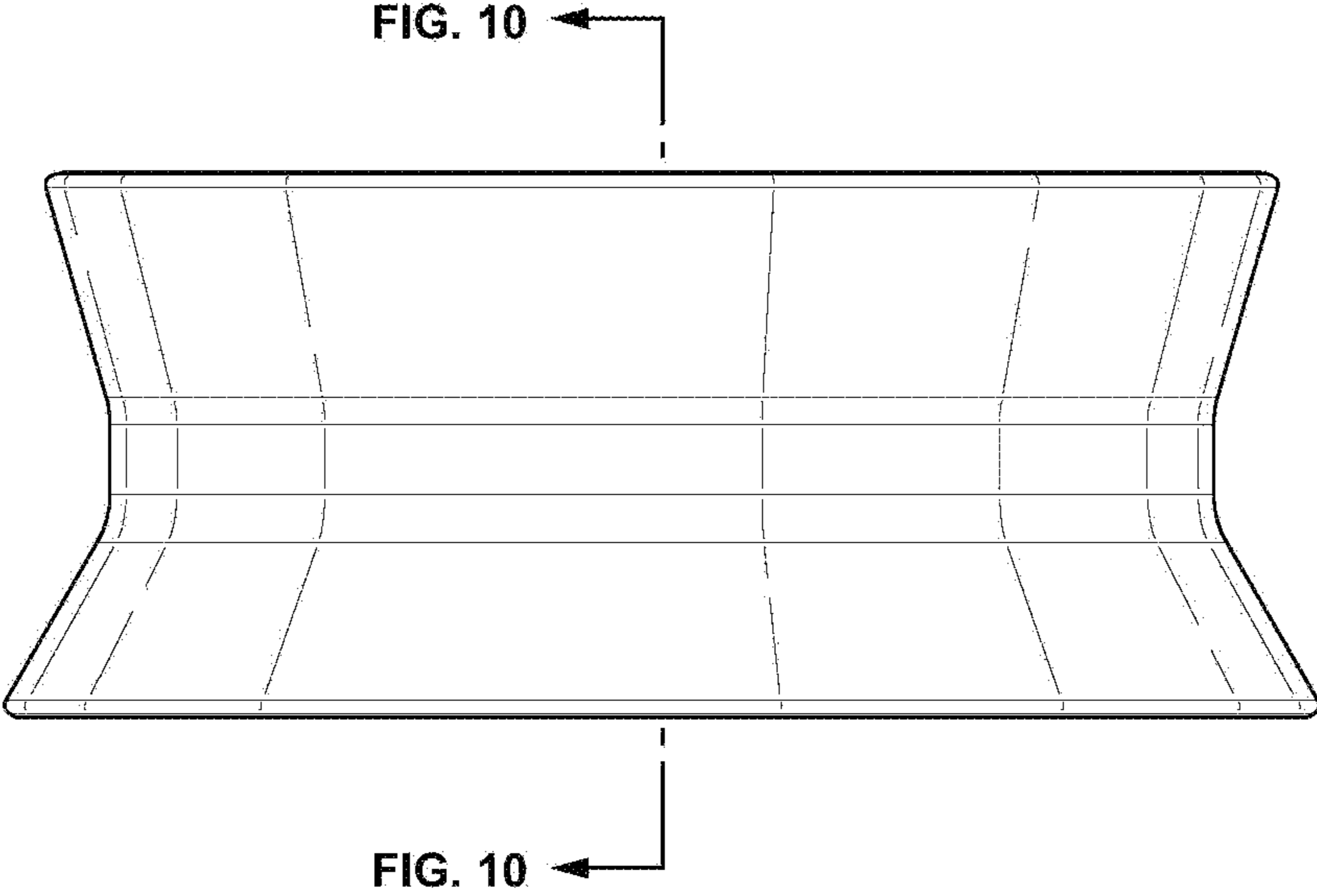


FIG. 7

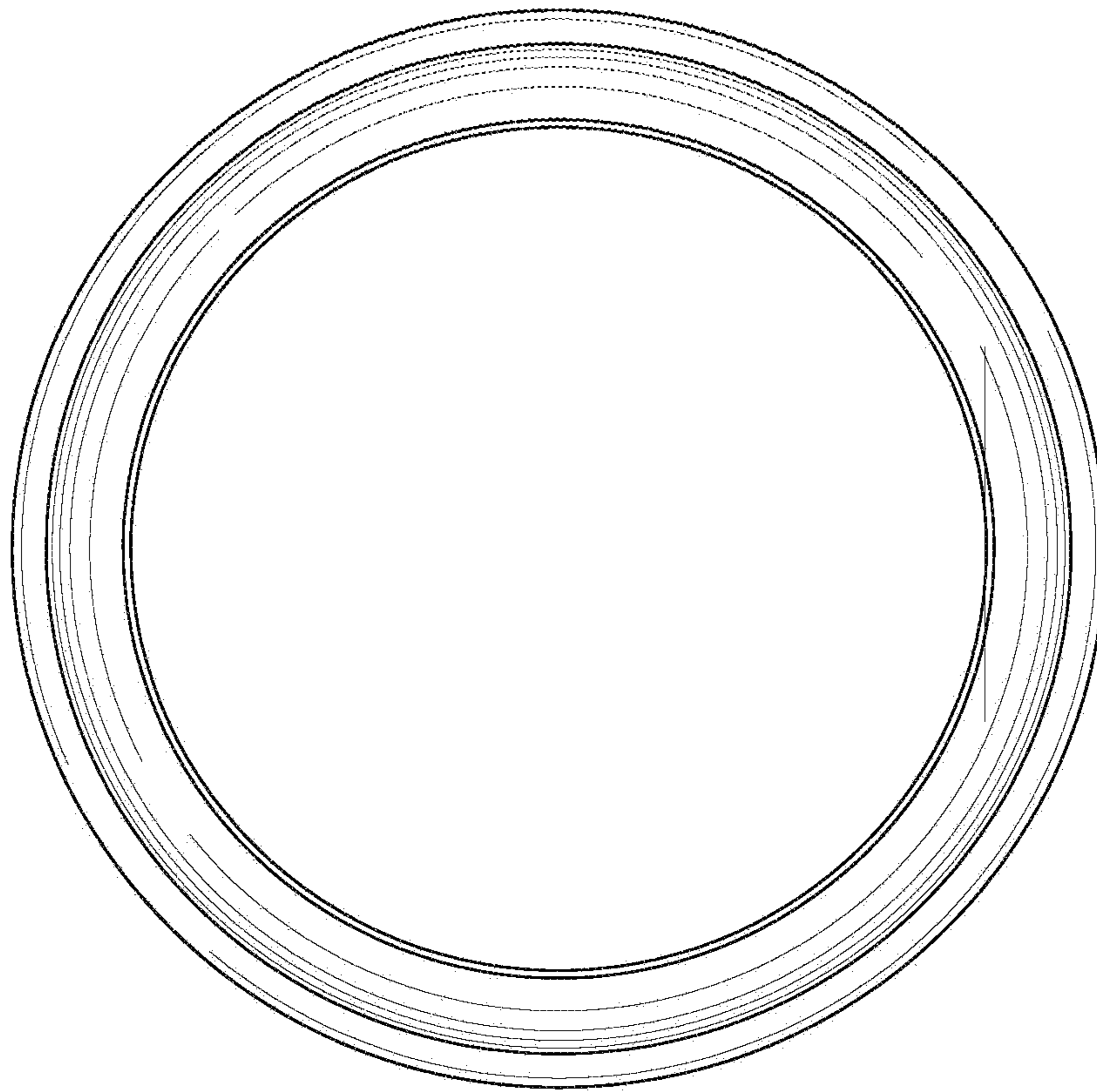


FIG. 8

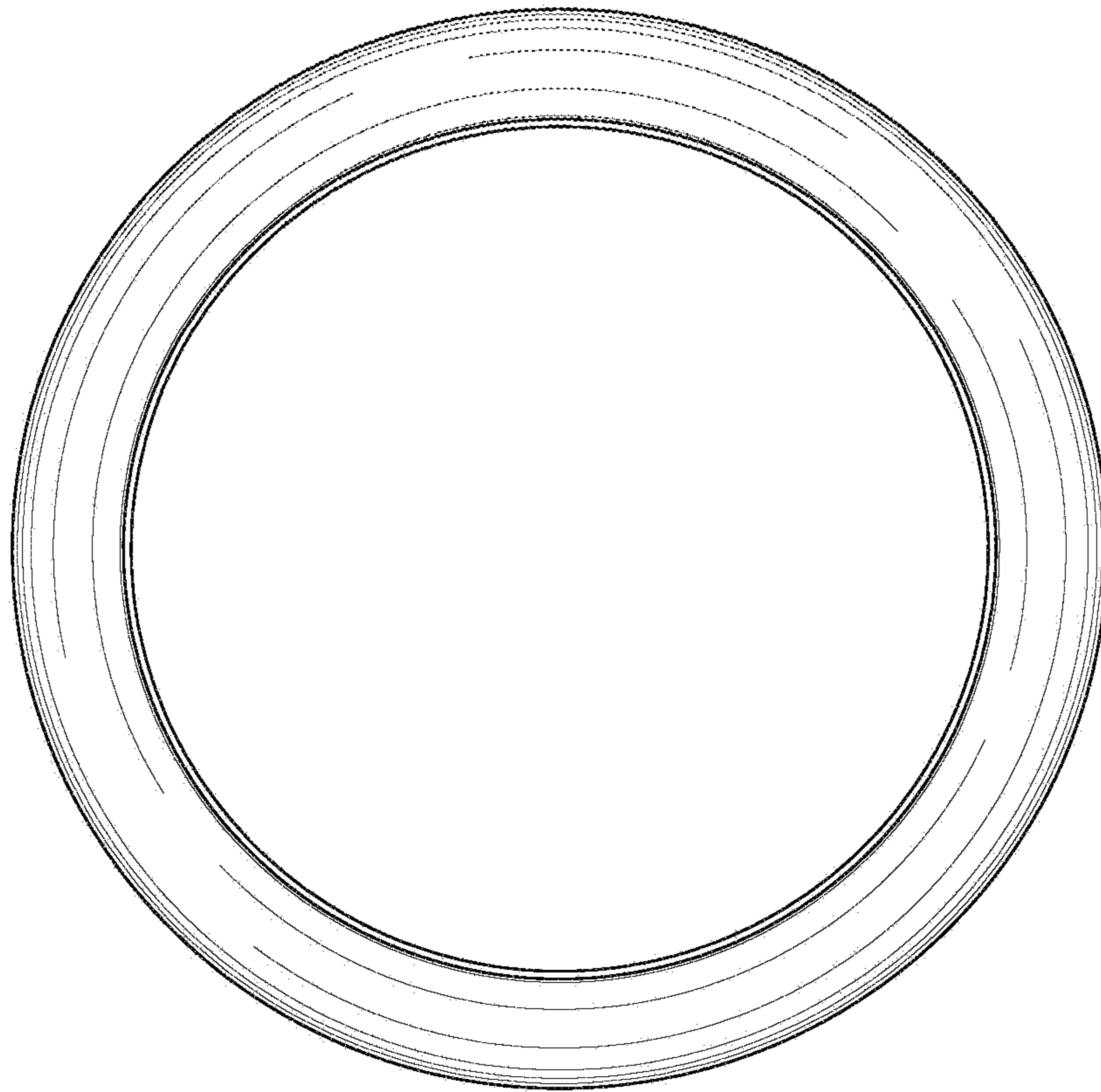


FIG. 9

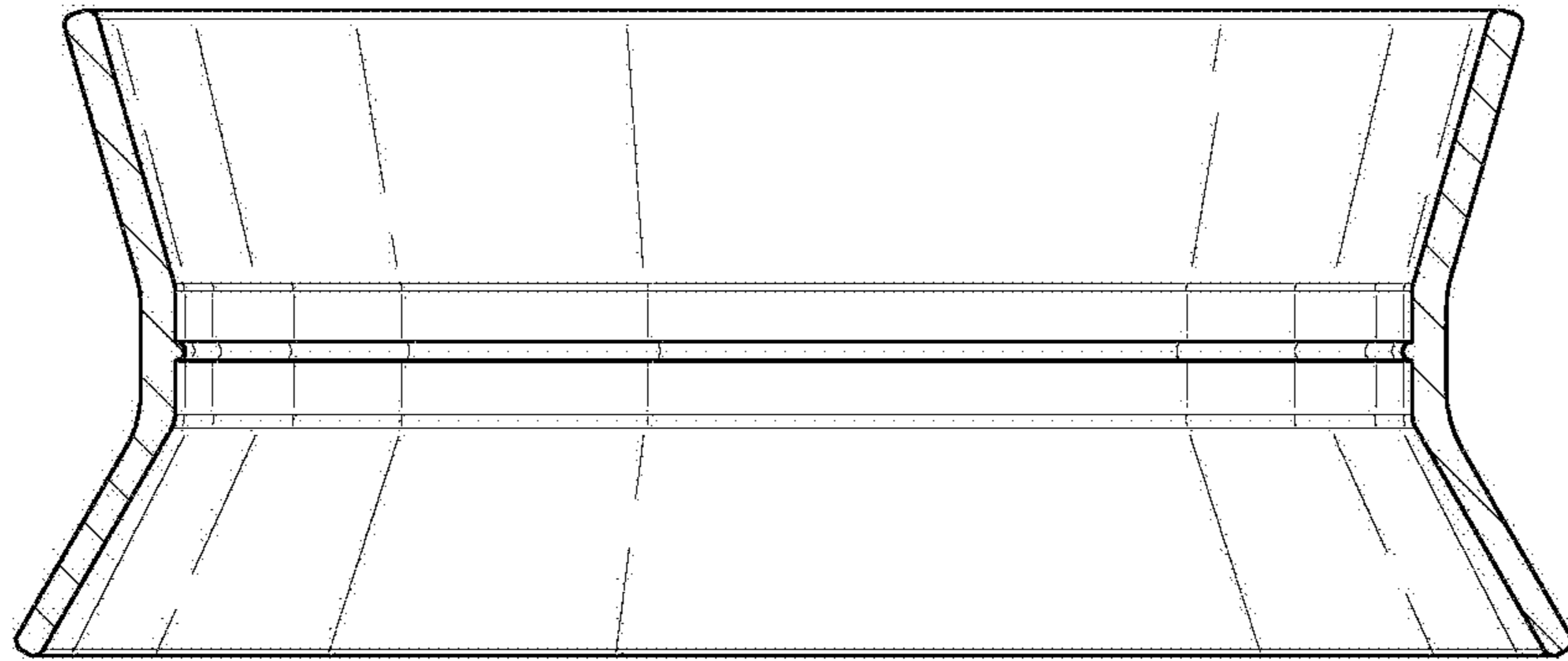


FIG. 10

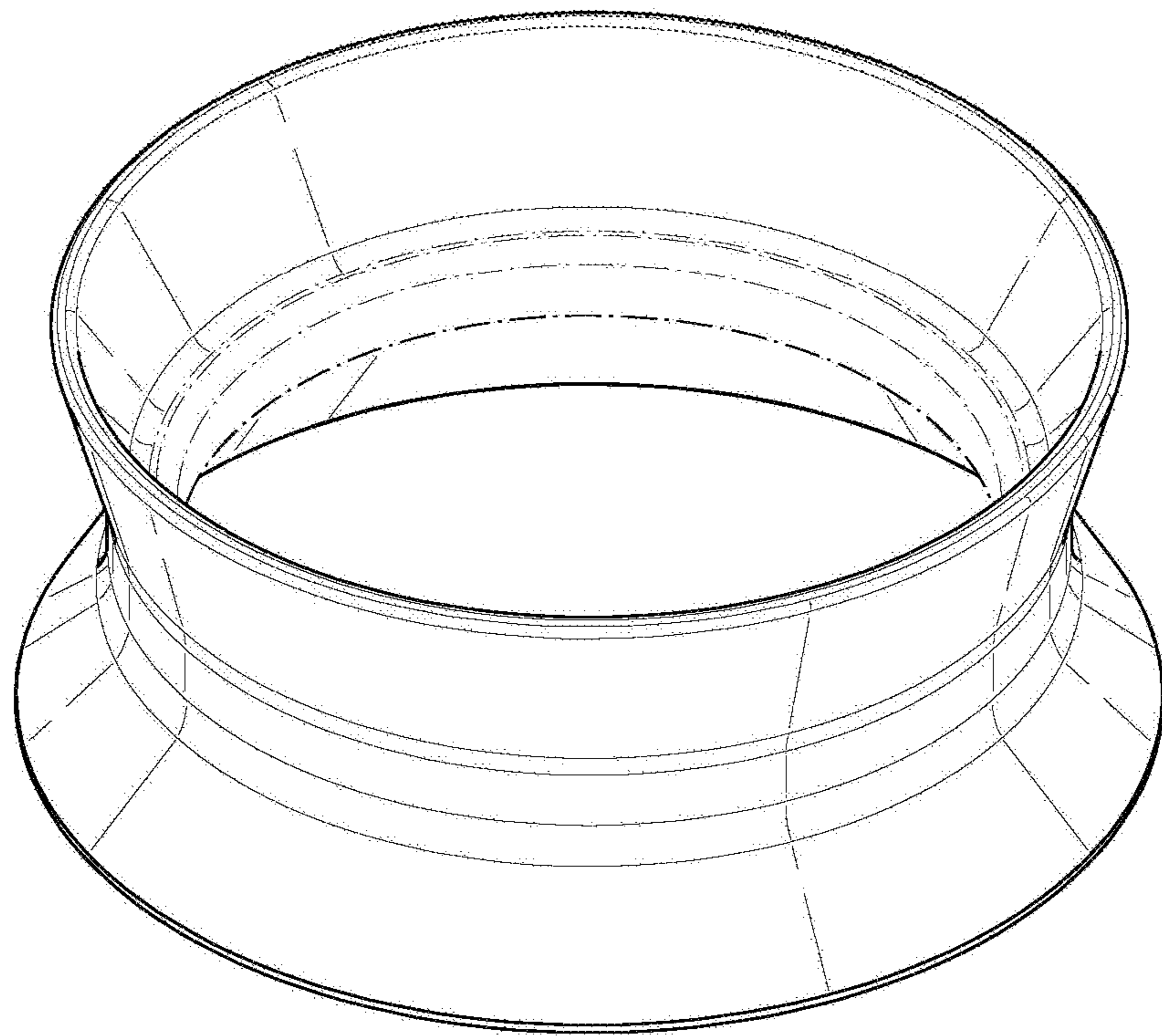
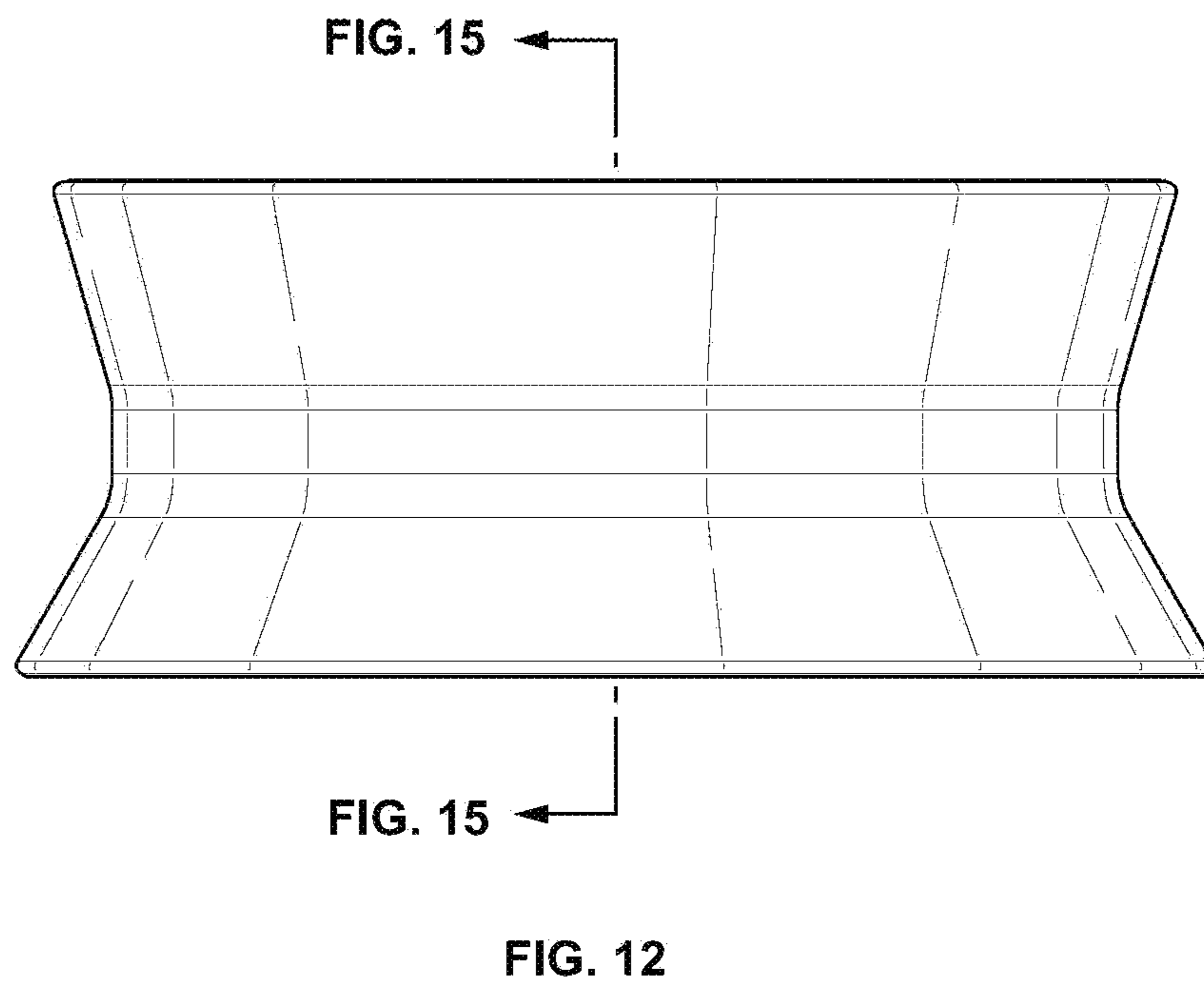


FIG. 11



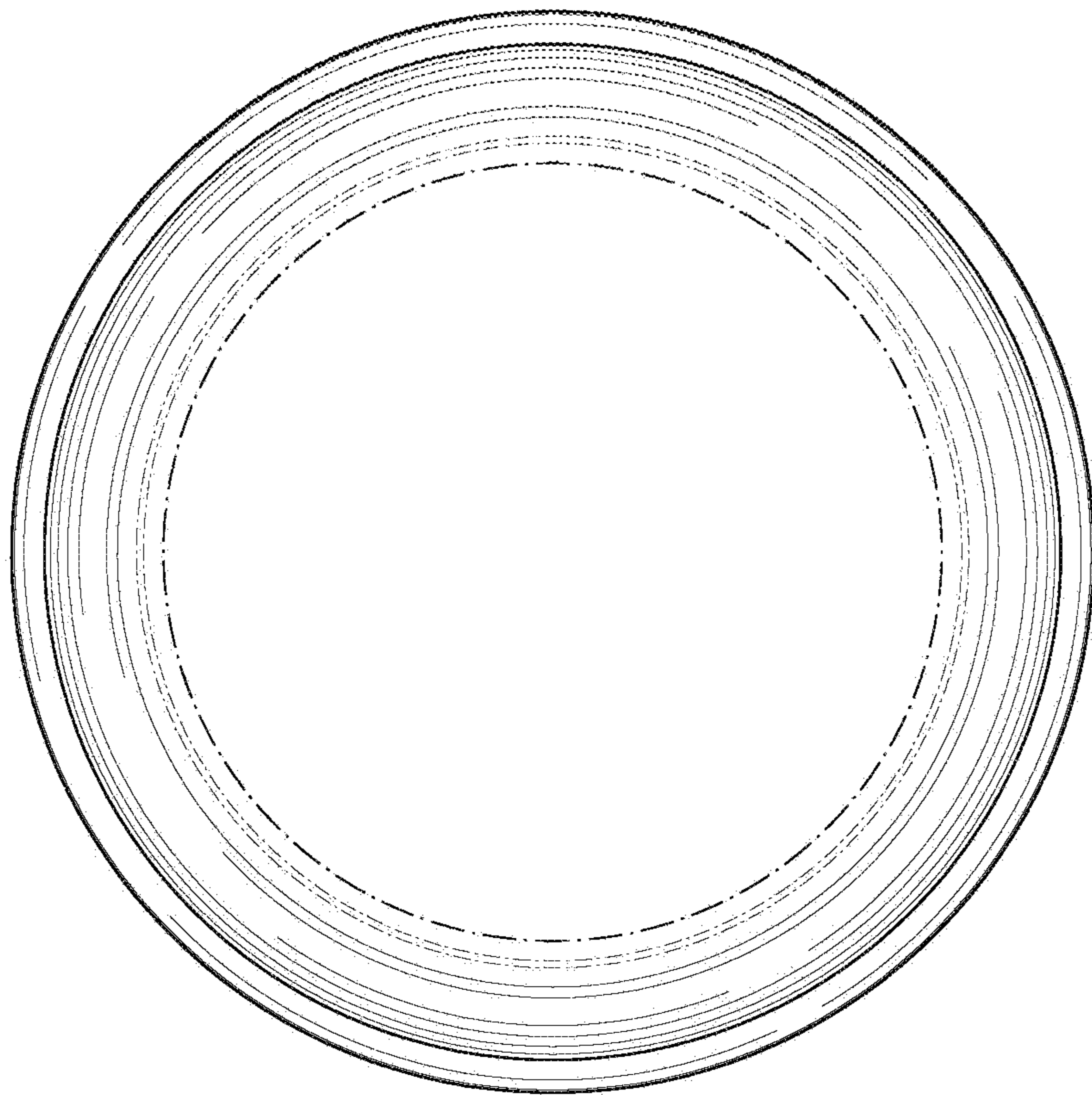


FIG. 13

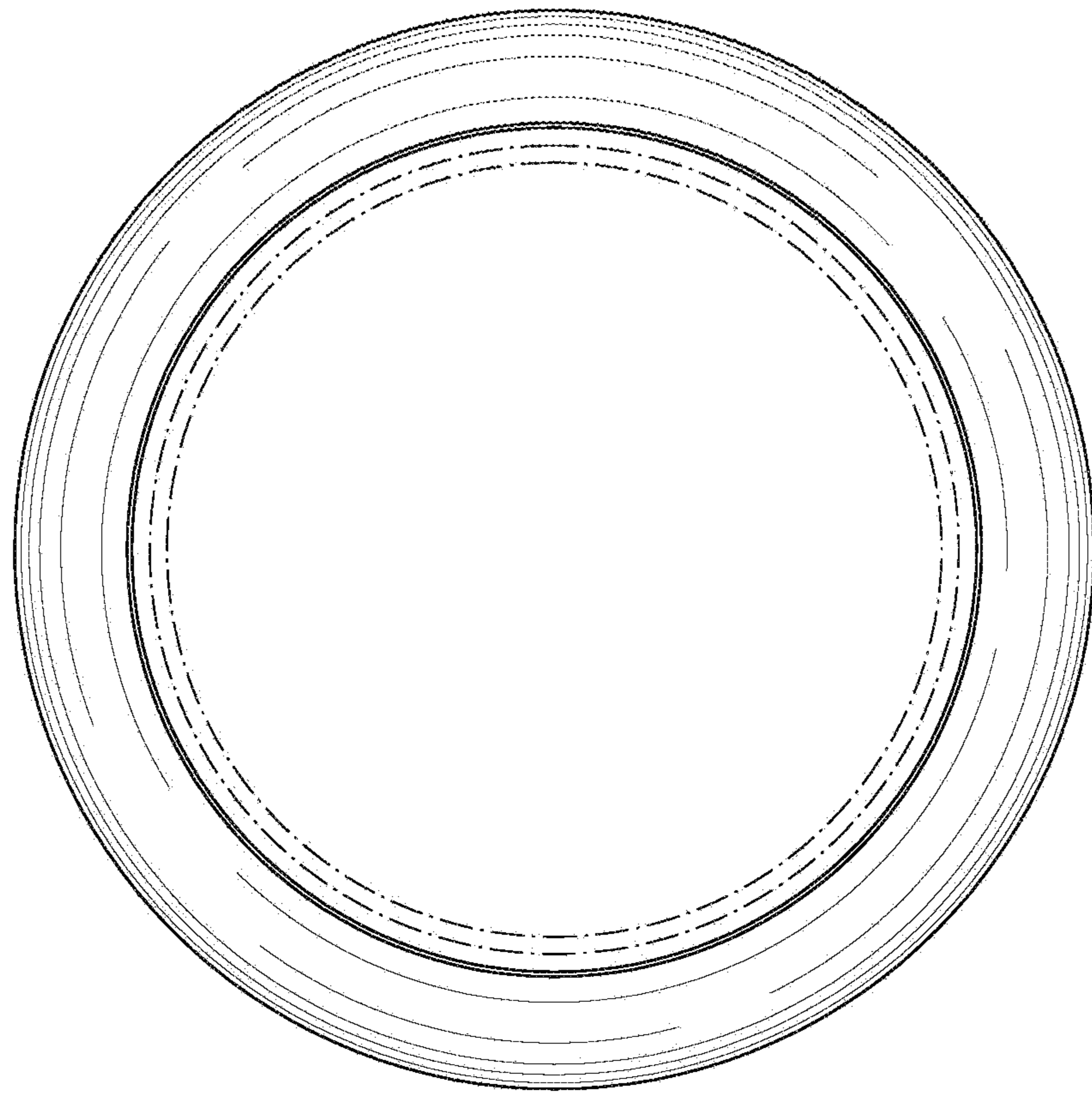


FIG. 14

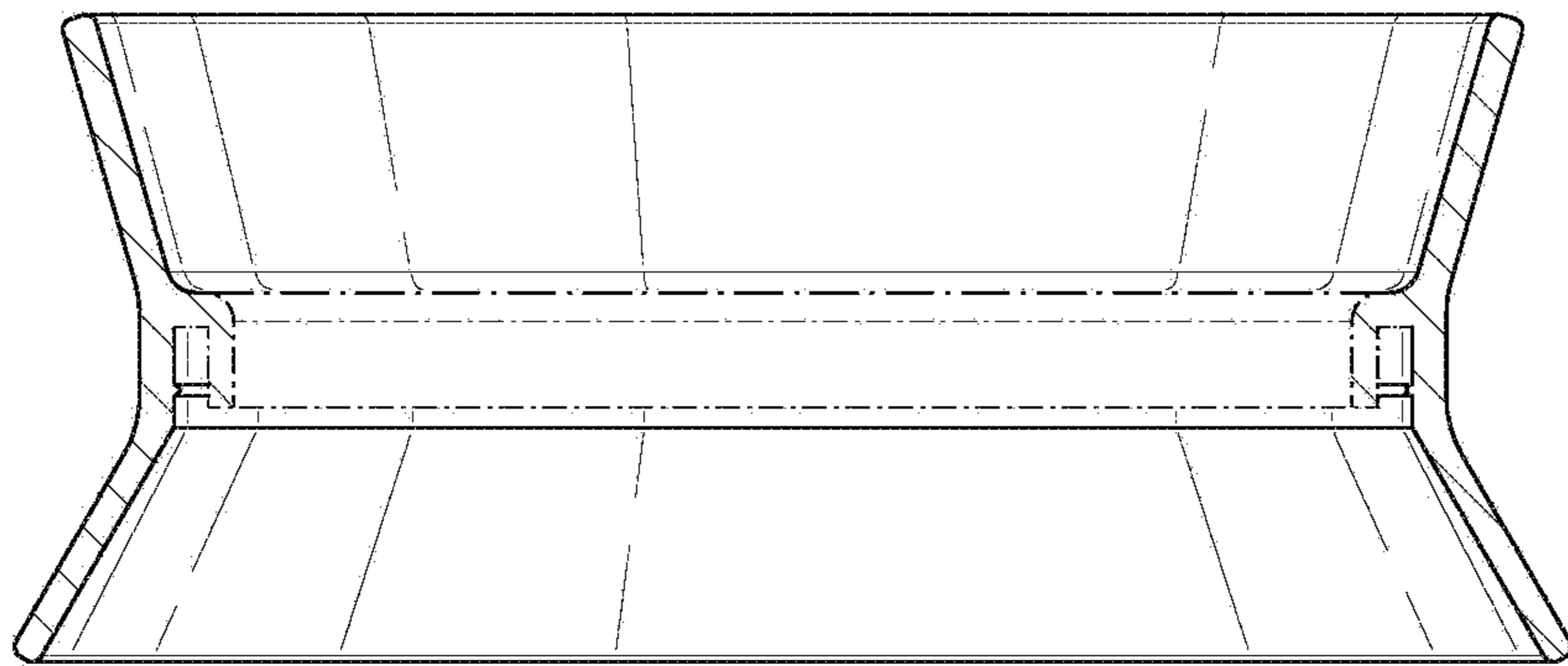


FIG. 15