

US00D930429S

(12) **United States Design Patent**
Wu

(10) **Patent No.:** **US D930,429 S**

(45) **Date of Patent:** **** Sep. 14, 2021**

(54) **CUP COVER**

(71) Applicant: **Qiaoli Wu**, Guangdong (CN)

(72) Inventor: **Qiaoli Wu**, Guangdong (CN)

(**) Term: **15 Years**

(21) Appl. No.: **29/686,376**

(22) Filed: **Apr. 4, 2019**

(51) **LOC (13) Cl.** **07-01**

(52) **U.S. Cl.**

USPC **D7/392.1**

(58) **Field of Classification Search**

USPC D7/391, 392, 392.1, 396.2, 393, 397,
D7/510, 511, 629; D9/414, 424-432,
D9/435-436, 440, 443, 447, 451-452,
D9/516, 530

CPC A47J 36/027; A47J 36/06; A47J 37/10;
A47J 37/101; A61J 1/00; A61J 1/1412;
B65D 1/00; B65D 1/02; B65D 1/10;
B65D 1/46; B65D 21/0209; B65D 43/00;
B65D 43/02; B65D 43/022; B65D
43/161; B65D 43/162; B65D 45/00;
B65D 45/16; B65D 45/18; B65D 51/16;
B65D 51/1683; B65D 51/1688; B65D
51/1694; B65F 1/1615

See application file for complete search history.

(56) **References Cited**

U.S. PATENT DOCUMENTS

D790,272 S * 6/2017 Han D7/396.2
D801,746 S * 11/2017 Thuma D7/392.1

D815,890 S * 4/2018 Boroski D7/392.1
D823,062 S * 7/2018 Goodwin D7/511
D843,211 S * 3/2019 Ghorbani D9/443
D845,064 S * 4/2019 Mulhauser D7/392.1
D904,827 S * 12/2020 Stanton D7/510
D914,441 S * 3/2021 Zhang D7/392.1
D921,433 S * 6/2021 Gronkowski D7/510

* cited by examiner

Primary Examiner — Ricky Pham

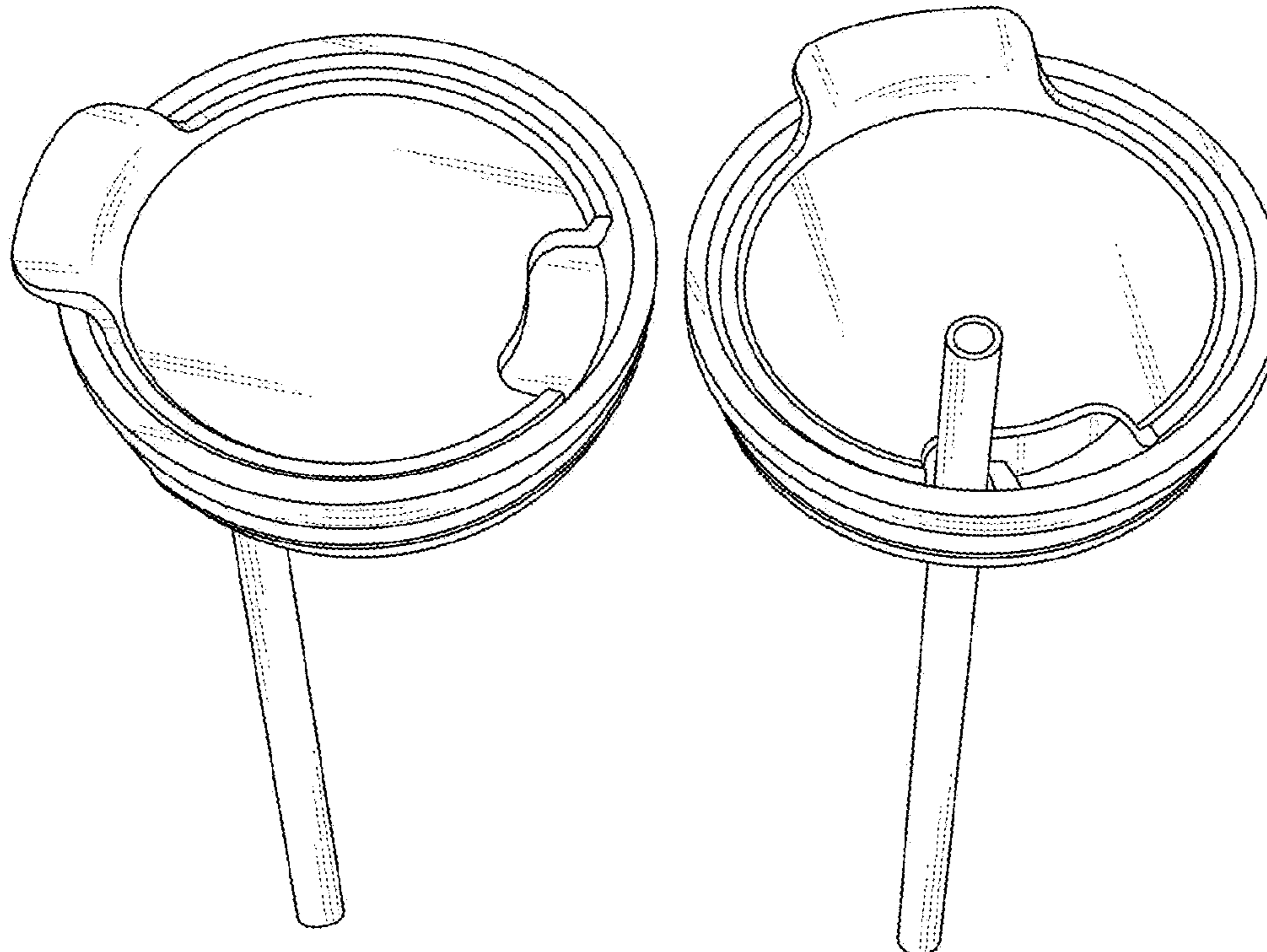
(57) **CLAIM**

I claim the ornamental design for the cup cover, as shown and described.

DESCRIPTION

FIG. 1 is a perspective view of a cup cover showing my new design;
FIG. 2 is a front elevational view thereof;
FIG. 3 is a rear elevational view thereof;
FIG. 4 is a left side elevational view thereof;
FIG. 5 is a right side elevational view thereof;
FIG. 6 is a top plan view thereof;
FIG. 7 is a bottom plan view thereof;
FIG. 8 is an another perspective thereof; and,
FIG. 9 is a perspective view thereof, shown the cup cover in a state of use, with the straw goes through the cup cover.

1 Claim, 9 Drawing Sheets



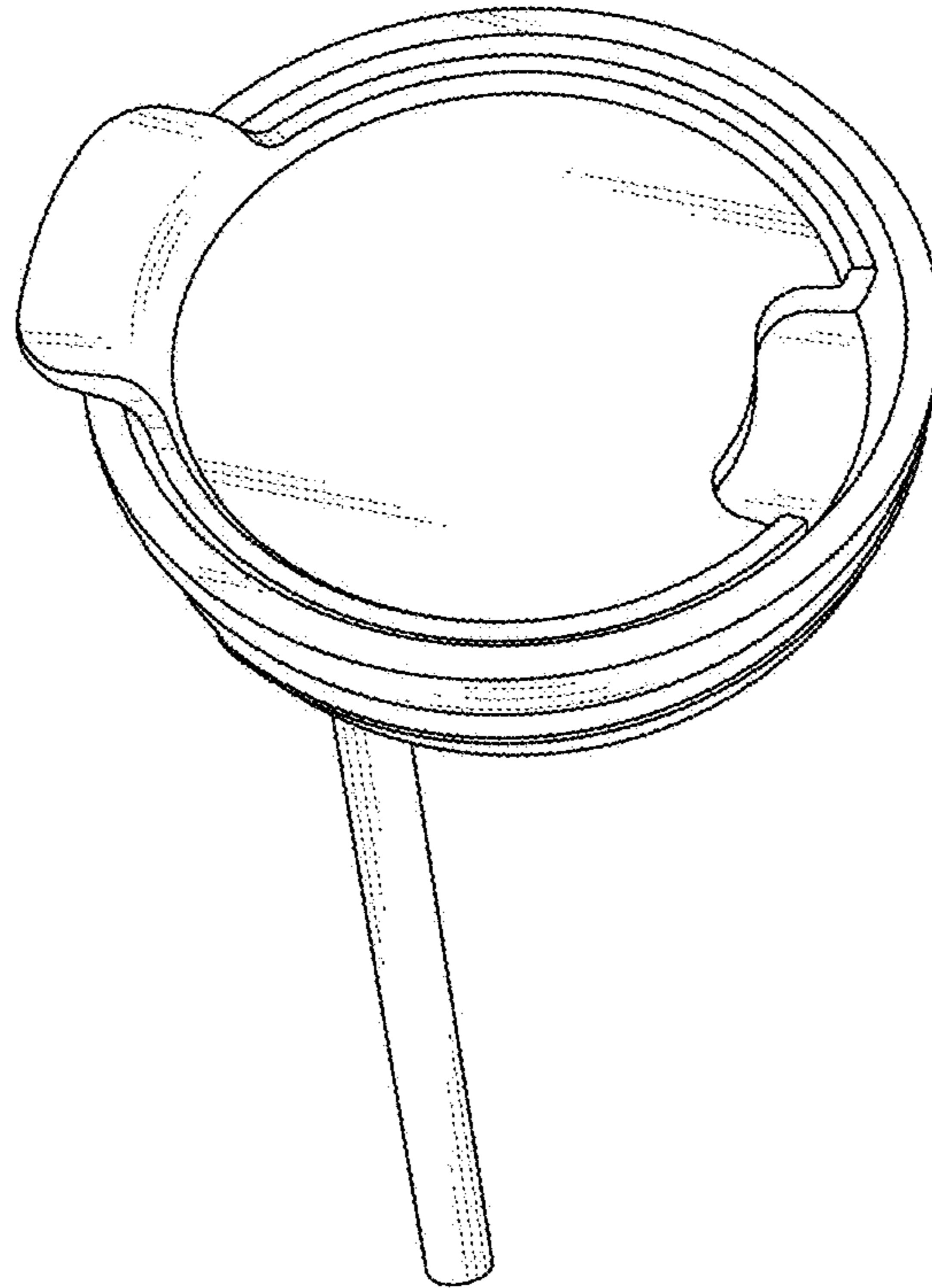


FIG. 1

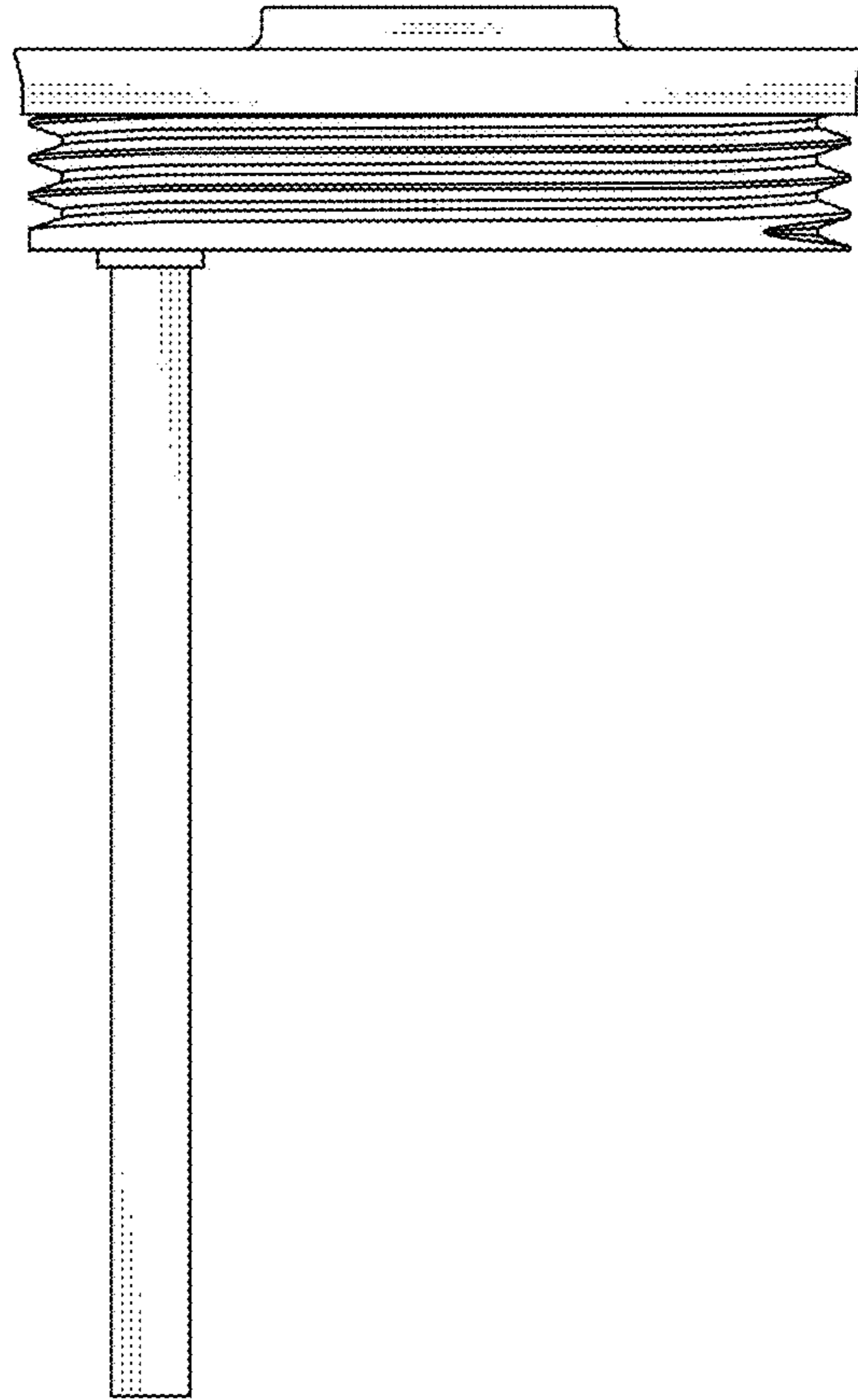


FIG. 2

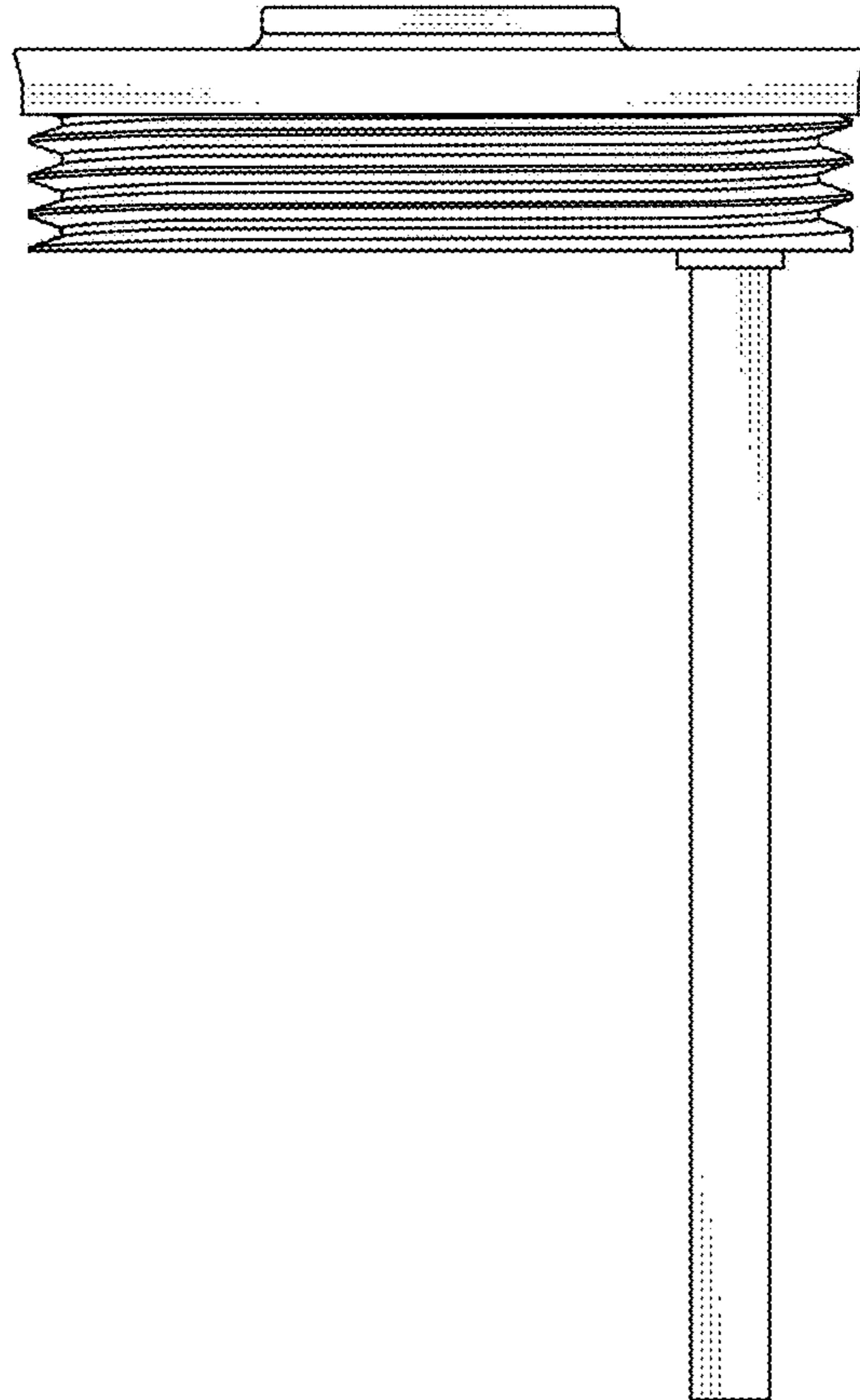


FIG. 3

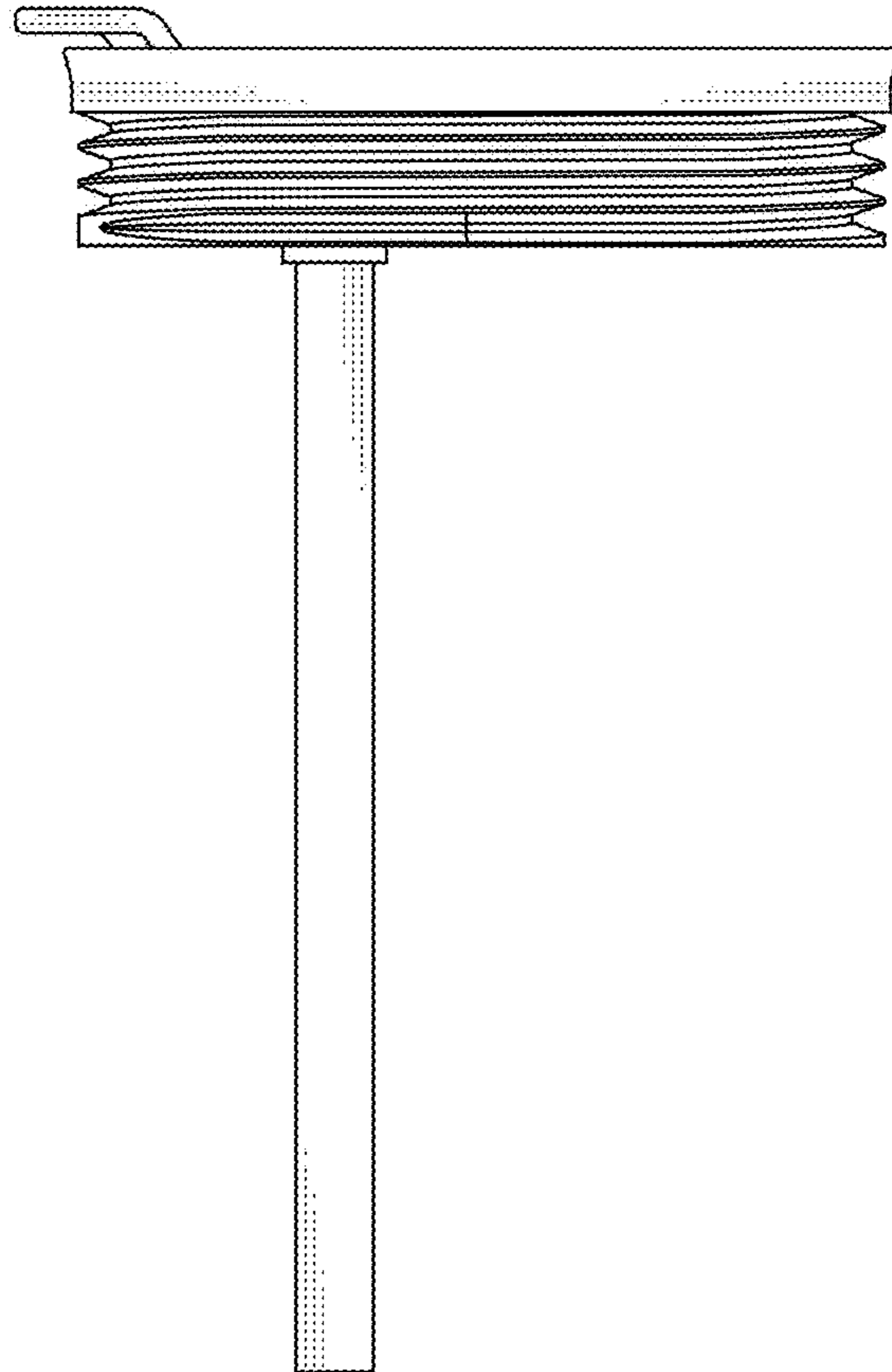


FIG. 4

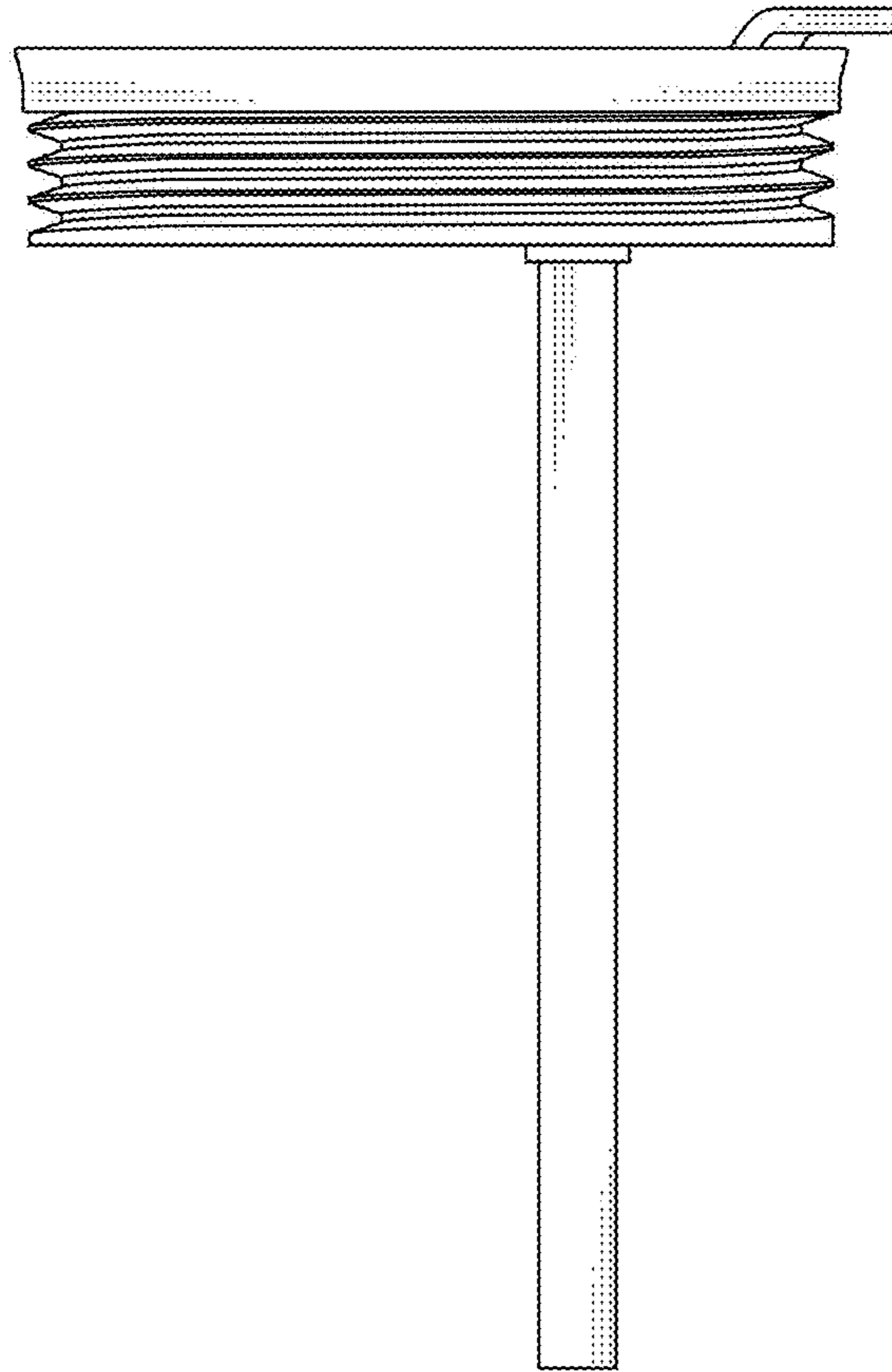


FIG. 5

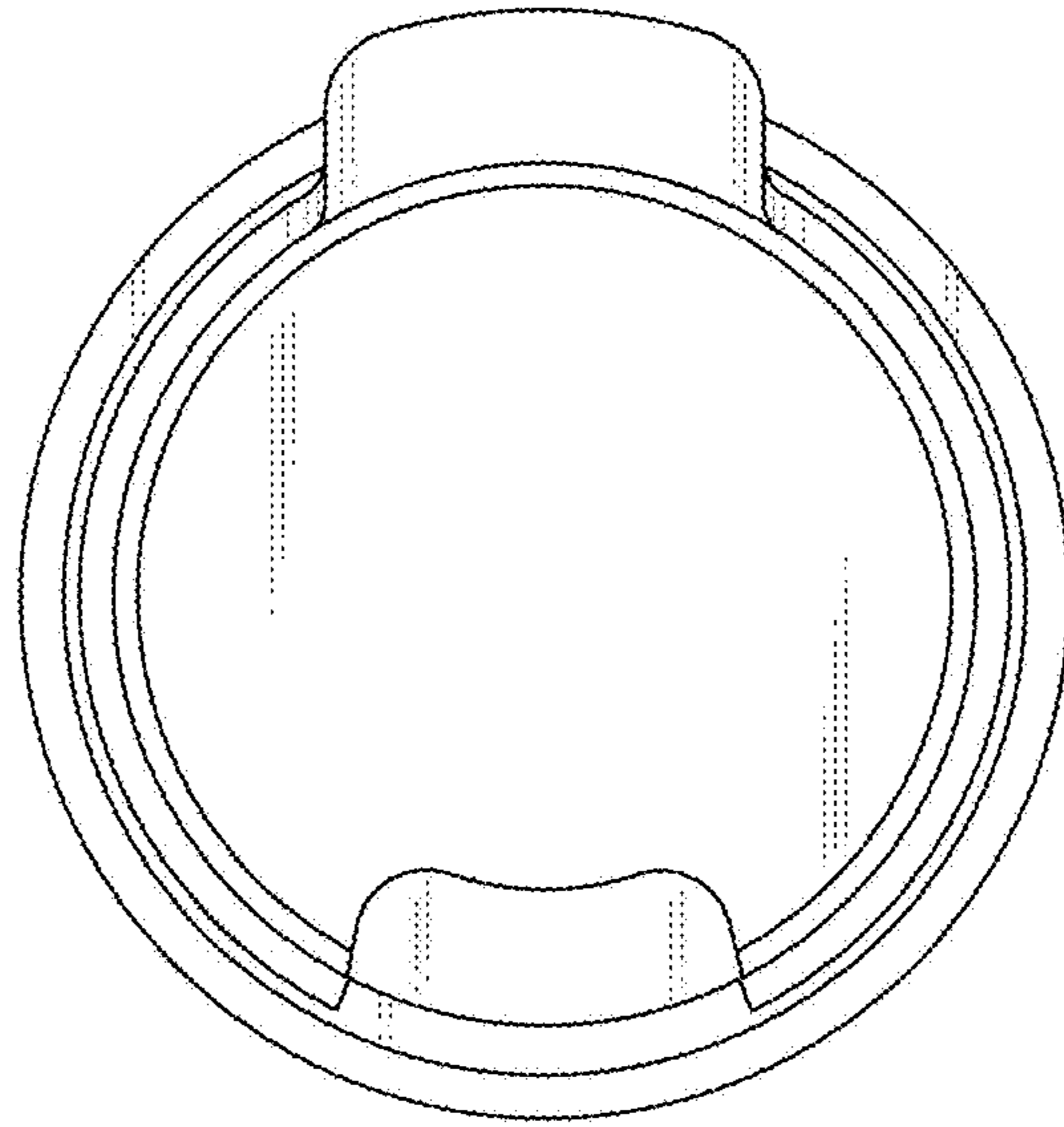


FIG. 6

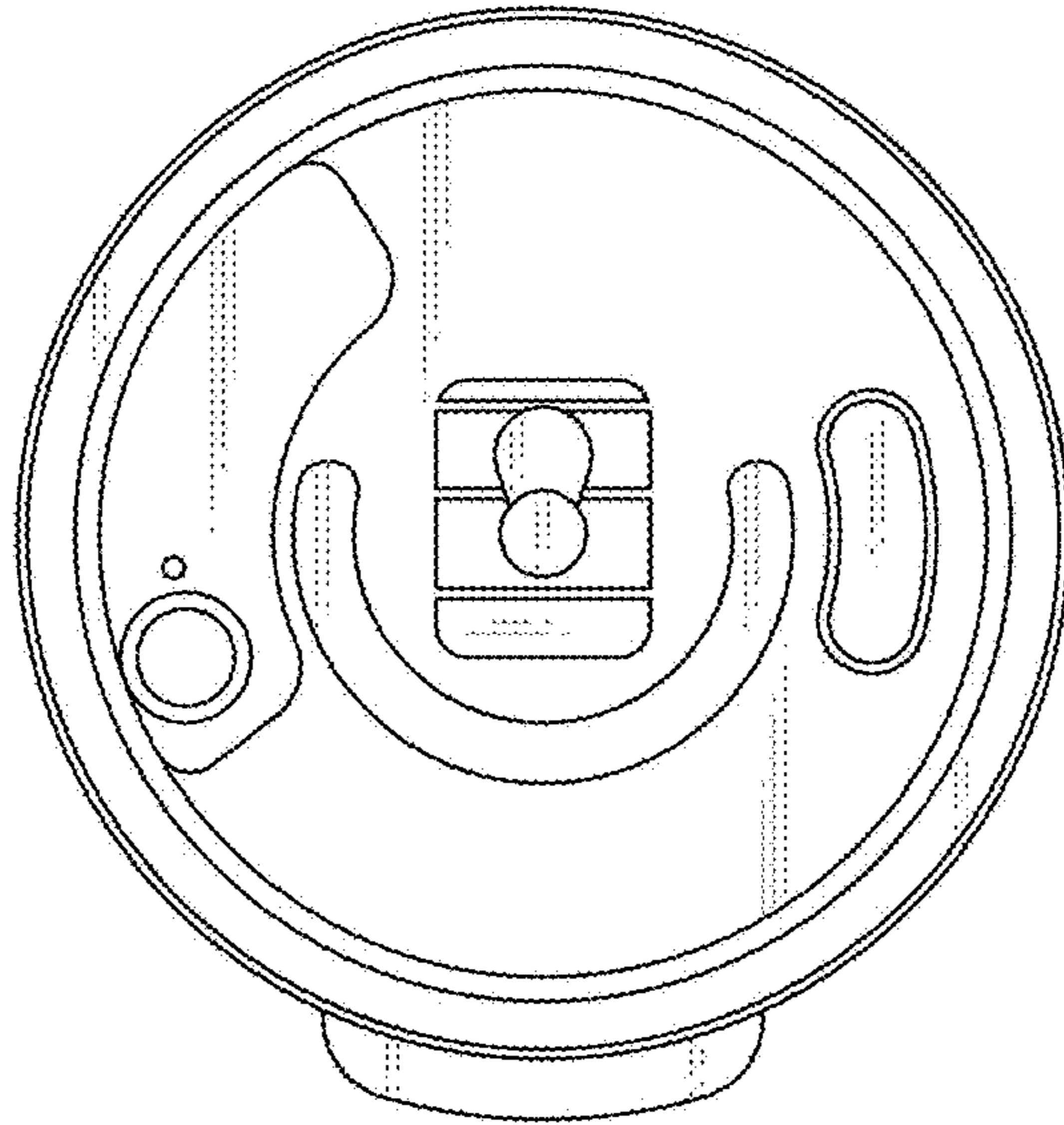


FIG. 7

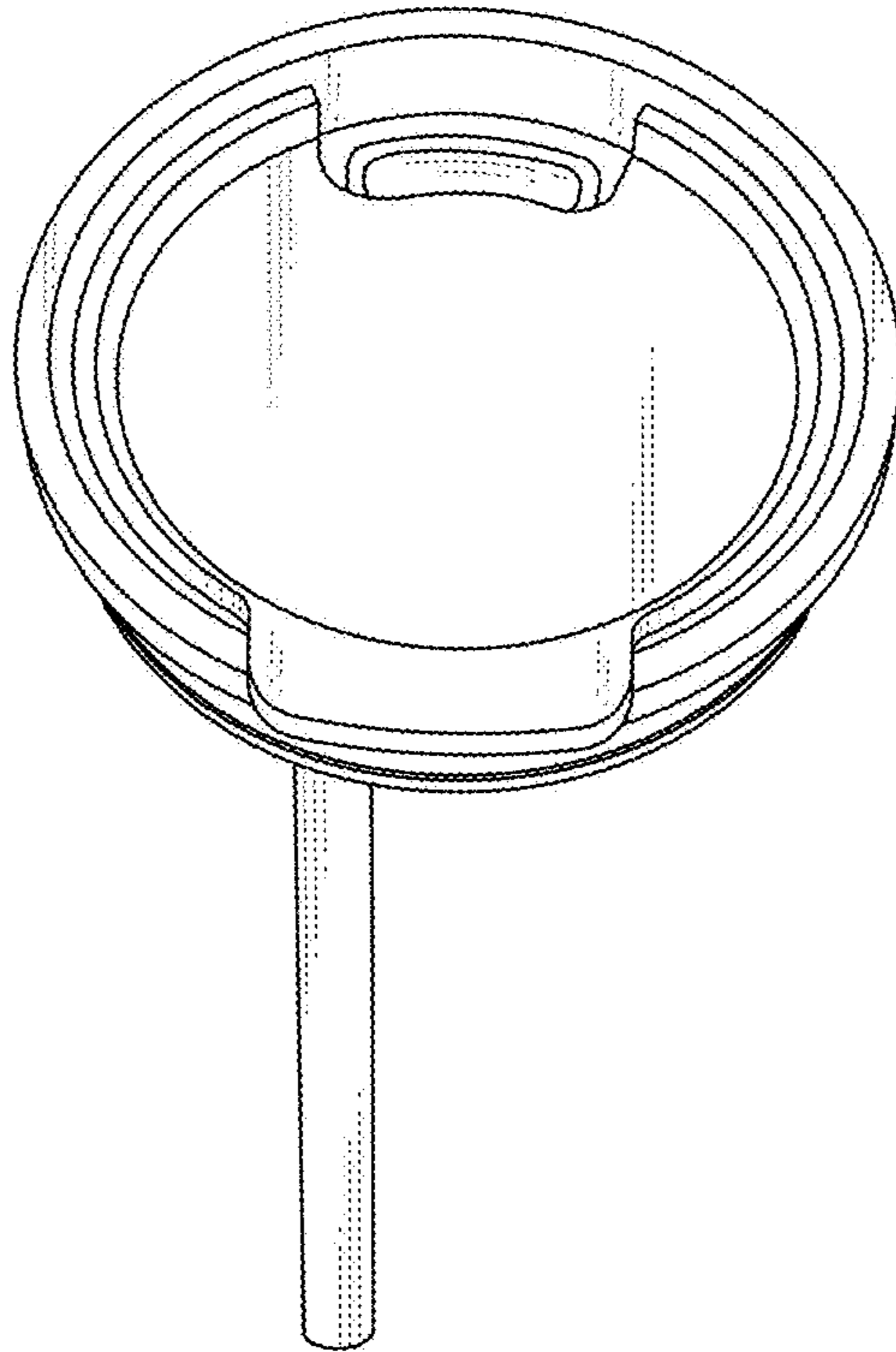


FIG. 8

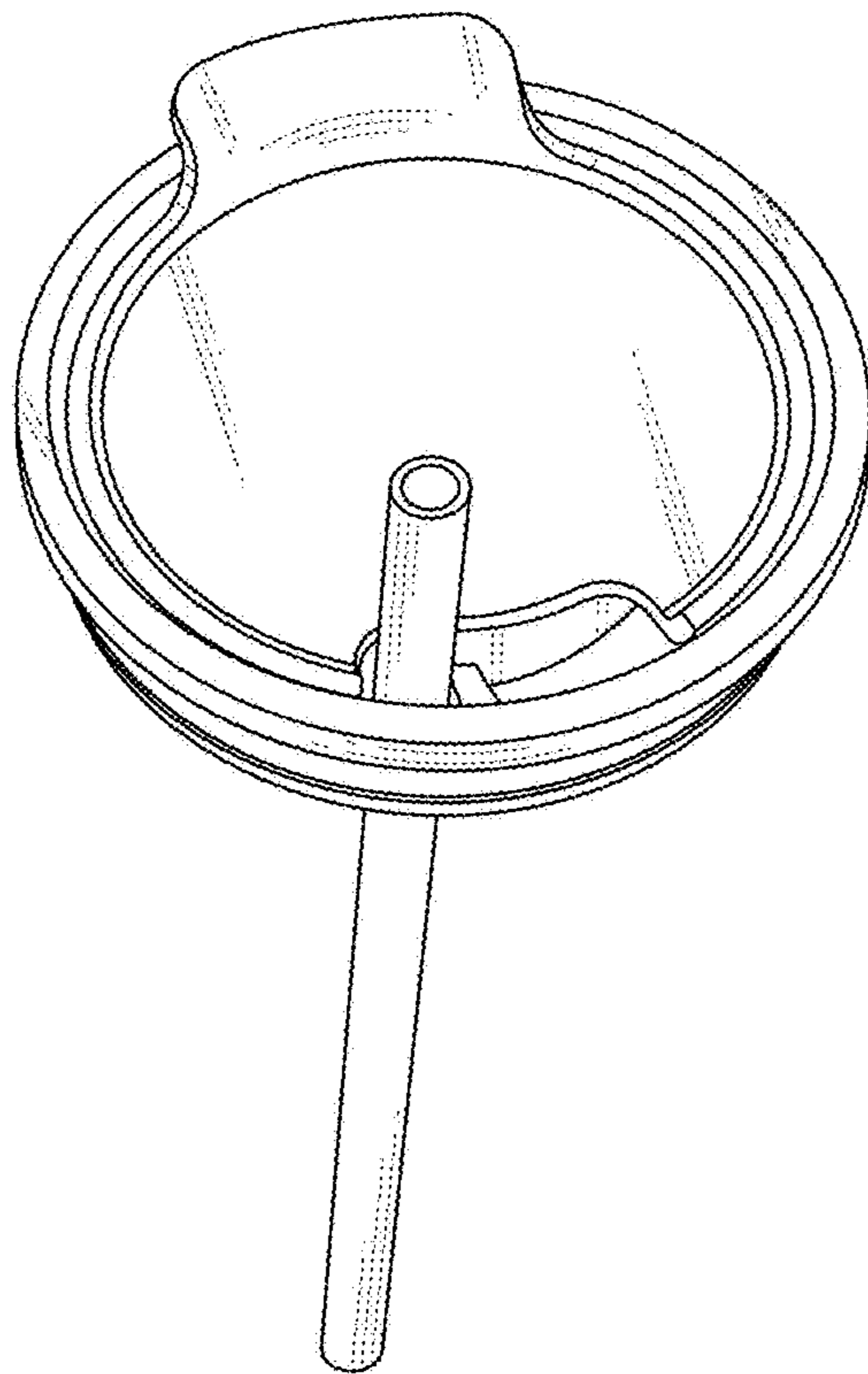


FIG. 9