



US00D930428S

(12) **United States Design Patent** (10) **Patent No.:** **US D930,428 S**  
**Lindsay** (45) **Date of Patent:** **\*\* Sep. 14, 2021**

(54) **BOTTLE**  
(71) Applicant: **Sistema Plastics Limited**, Auckland (NZ)  
(72) Inventor: **Cameron Lindsay**, Auckland (NZ)  
(73) Assignee: **SISTEMA PLASTICS LIMITED**  
(\*\*) Term: **15 Years**

D528,921 S \* 9/2006 Leoncavallo ..... D7/511  
D627,602 S \* 11/2010 Eyal ..... D7/510  
D634,972 S \* 3/2011 Staton ..... D7/392.1  
D652,255 S \* 1/2012 Carland ..... D7/510  
D688,093 S \* 8/2013 Roth ..... D7/392.1  
8,550,269 B2 10/2013 Lane  
8,684,231 B2 4/2014 Lane et al.  
(Continued)

(21) Appl. No.: **29/684,845**  
(22) Filed: **Mar. 25, 2019**

FOREIGN PATENT DOCUMENTS

CA 2491577 A1 7/2005  
CN 203693166 U 7/2014  
(Continued)

(30) **Foreign Application Priority Data**  
Sep. 26, 2018 (NZ) ..... 425019

OTHER PUBLICATIONS

Nalgene, "Nalgene Tritan On The Fly Water Bottle," Sep. 21, 2010, Amazon.com, www.amazon.com/dp/B0043T9DKC (Year: 2010).\*  
(Continued)

(51) **LOC (13) Cl.** ..... **07-01**  
(52) **U.S. Cl.**  
USPC ..... **D7/392.1; D7/396.2**

*Primary Examiner* — Janice Patyk  
*Assistant Examiner* — Arva P Adams  
(74) *Attorney, Agent, or Firm* — McCarter & English, LLP

(58) **Field of Classification Search**  
USPC ..... D9/443, 449, 452, 500–503, 504, 517, D9/520, 527, 529, 530, 541, 544, 553, D9/556, 558, 564, 640, 667, 683, 686, D9/688, 693, 695, 696, 698, 708, 744; D7/300.1, 392, 396.2, 507, 509, 510, 511, D7/532, 535, 536, 608, 900; D6/698; D24/197

(57) **CLAIM**  
The ornamental design for a bottle, as shown and described.

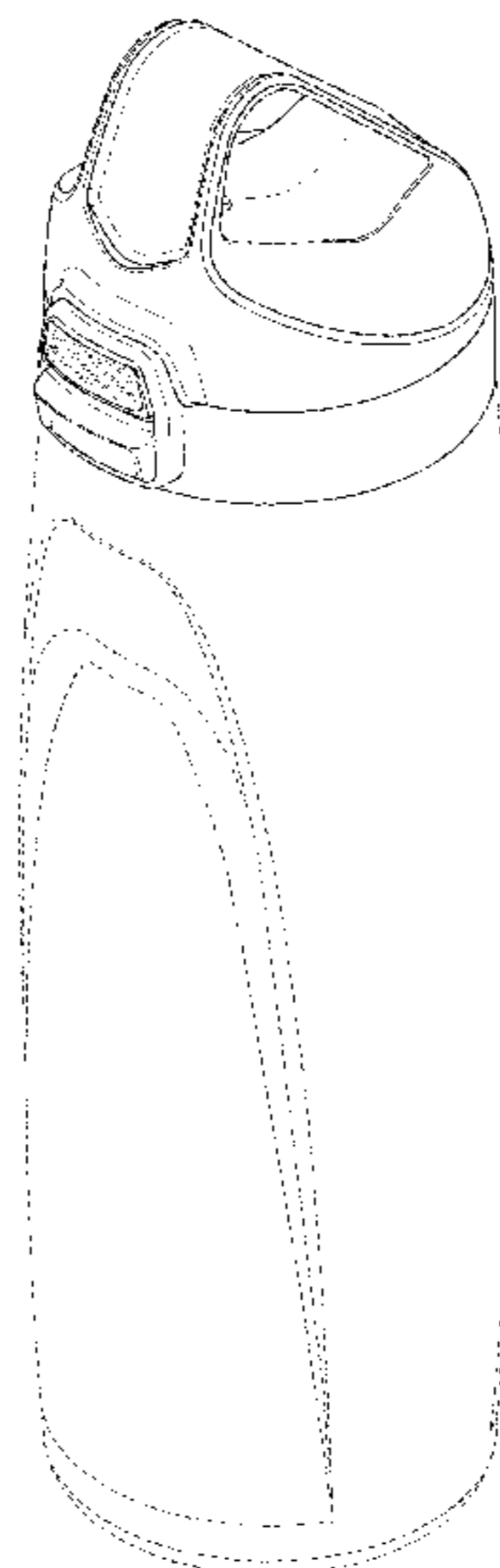
CPC ..... A47G 19/2211; A47G 19/2222; A47G 19/22; A47G 19/2272; A47G 19/2227; A47G 19/2288; B65D 3/26; B65D 1/04; B65D 1/06; B65D 51/24; B65D 23/00; B65D 23/08; B65D 81/38; A45F 3/20; A45F 3/16; A47J 41/00  
See application file for complete search history.

**DESCRIPTION**

FIG. 1 is a top front perspective view of a bottle;  
FIG. 2 is a front view of the bottle of FIG. 1;  
FIG. 3 is a left side view of the bottle of FIG. 1;  
FIG. 4 is a right side view of the bottle of FIG. 1;  
FIG. 5 is a rear view of the bottle of FIG. 1;  
FIG. 6 is a top view of the bottle of FIG. 1;  
FIG. 7 is a bottom view of the bottle of FIG. 1; and,  
FIG. 8 is an enlarged front view of the top portion of the bottle as shown in FIG. 2.  
The broken lines show portions of the bottle that form no part of the claimed design.

(56) **References Cited**  
U.S. PATENT DOCUMENTS  
5,282,541 A 2/1994 Chen  
D519,380 S \* 4/2006 Leoncavallo ..... D7/511

**1 Claim, 8 Drawing Sheets**



(56)

References Cited

U.S. PATENT DOCUMENTS

8,978,923 B2 3/2015 George  
8,985,370 B2 3/2015 Lane  
D767,328 S \* 9/2016 Boroski ..... D7/392.1  
D767,337 S \* 9/2016 Boroski ..... D7/510  
9,675,191 B2 6/2017 Kurabe et al.  
D801,173 S \* 10/2017 Lown ..... D9/449  
D801,174 S \* 10/2017 Lown ..... D9/449  
D808,213 S \* 1/2018 Lown ..... D7/396.2  
D830,771 S \* 10/2018 Lin ..... D7/510  
D840,187 S \* 2/2019 Sams ..... D7/392  
D841,391 S \* 2/2019 Pape ..... D7/391  
D846,354 S \* 4/2019 Omdahl, II ..... D7/510  
D874,216 S \* 2/2020 Henkel ..... D7/392  
D879,552 S \* 3/2020 Omdahl, II ..... D7/396.2  
D901,250 S \* 11/2020 McCabe ..... D7/511  
D902,647 S \* 11/2020 McCabe ..... D7/392.1  
D903,407 S \* 12/2020 McCabe ..... D7/392.1  
2004/0217139 A1 11/2004 Roth et al.

FOREIGN PATENT DOCUMENTS

CN 304424960 \* 12/2017  
NZ 425020 \* 7/2019

OTHER PUBLICATIONS

Laken, Laken Thermo Classic Vacuum Insulated Stainless Steel Water Bottle, May 15, 2013, Amazon.com, [www.amazon.com/dp/B00CS9B9OW](http://www.amazon.com/dp/B00CS9B9OW) (Year: 2013).\*

ZULU, "Zulu Swift Bouteille," Mar. 28, 2019, Amazon.ca, [www.amazon.ca/-/fr/Zulu-Swift-Bouteille-deau-Tritan/dp/B07PM93GM7](http://www.amazon.ca/-/fr/Zulu-Swift-Bouteille-deau-Tritan/dp/B07PM93GM7) (Year: 2019).\*

Sistema, "Sistema 900ml Tritan Adventum Bottle," May 31, 2019, Amazon.com, [www.amazon.com/dp/B07QRBWN38](http://www.amazon.com/dp/B07QRBWN38) (Year: 2019).\*

\* cited by examiner

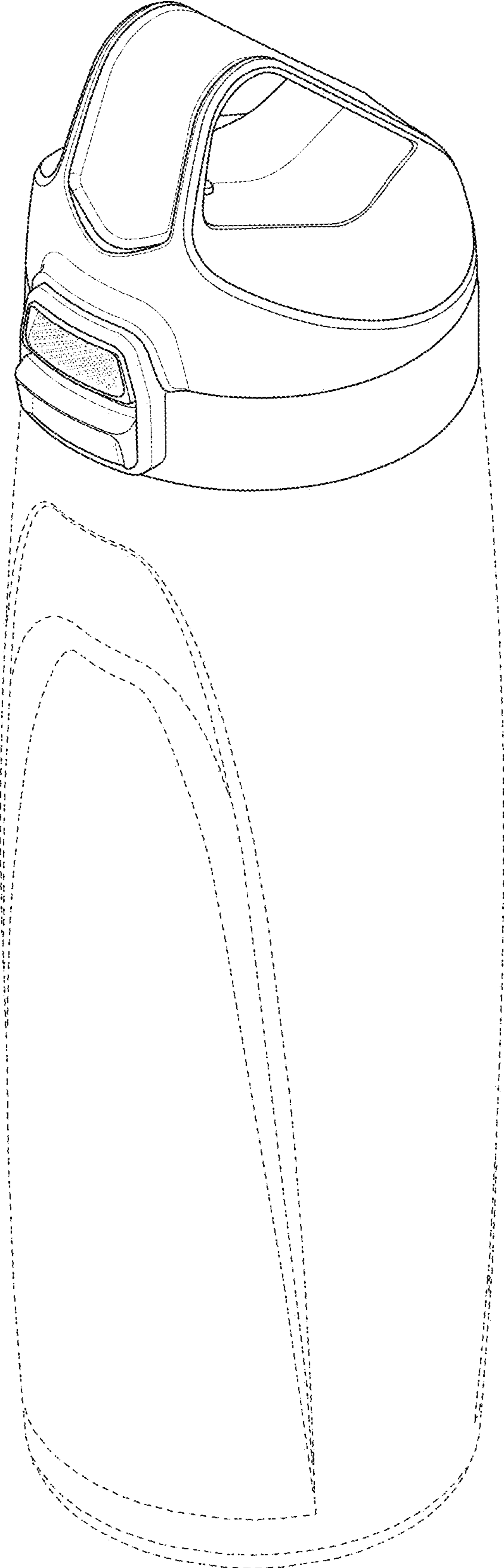


FIG. 1

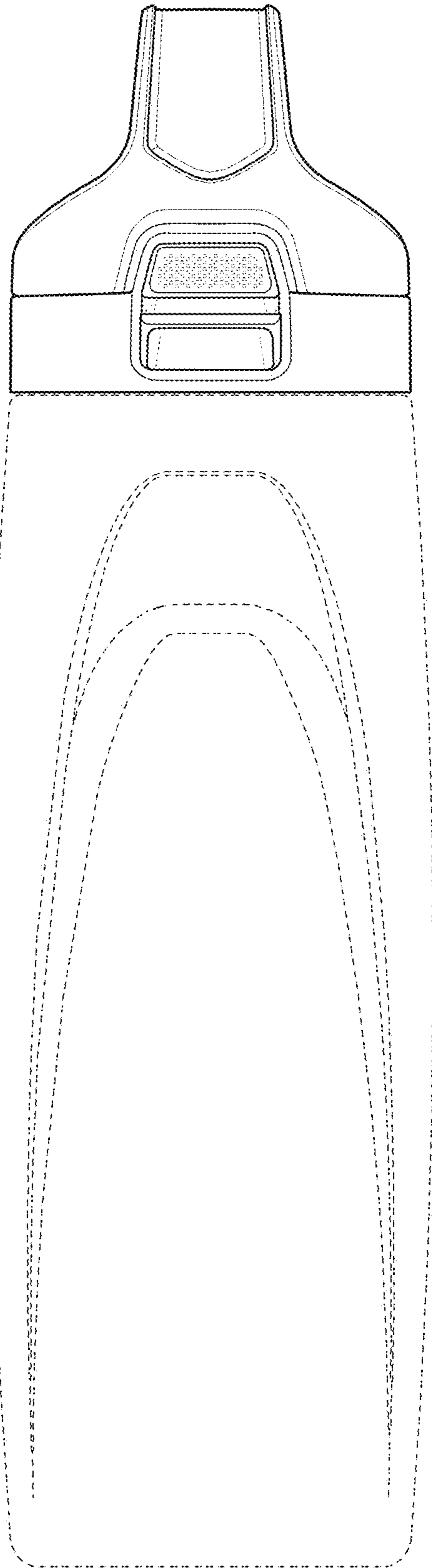


FIG. 2

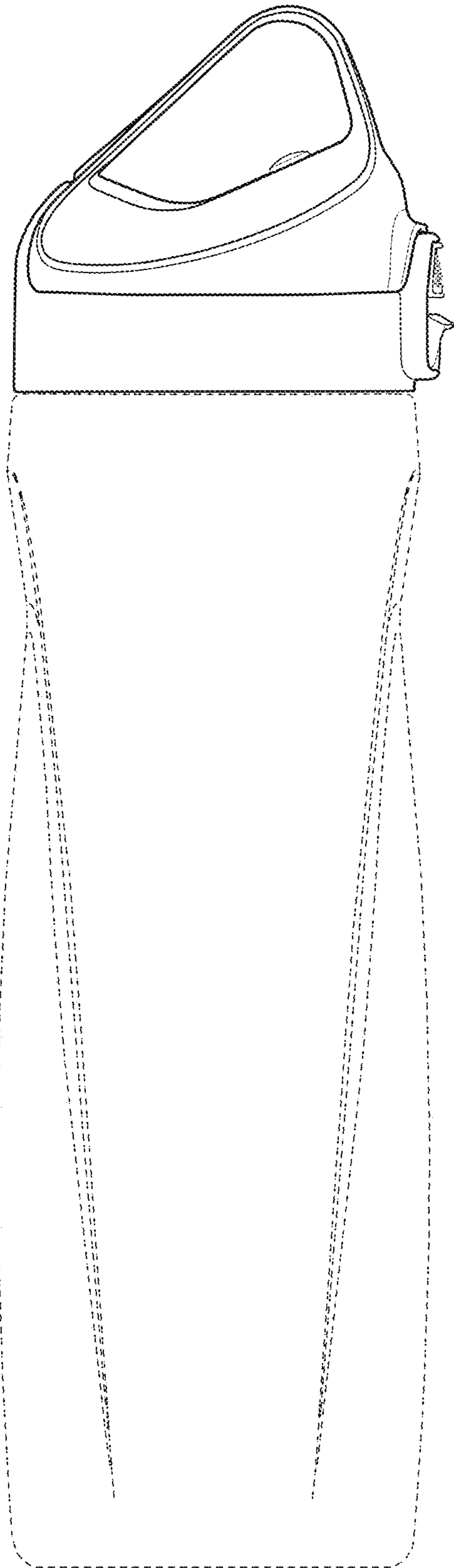


FIG. 3

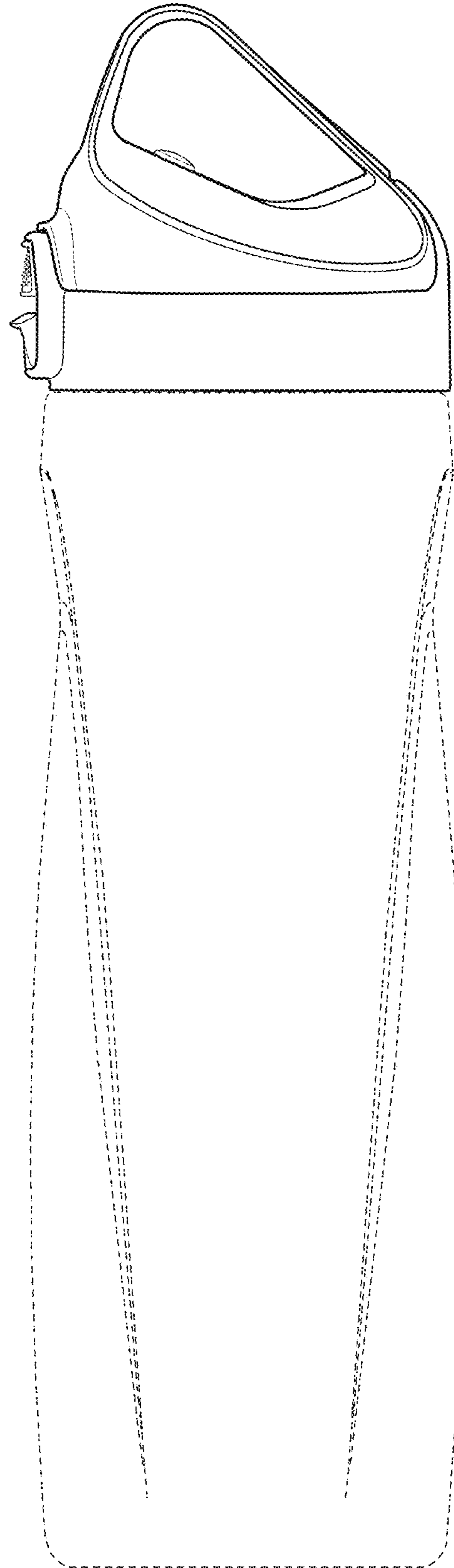


FIG. 4

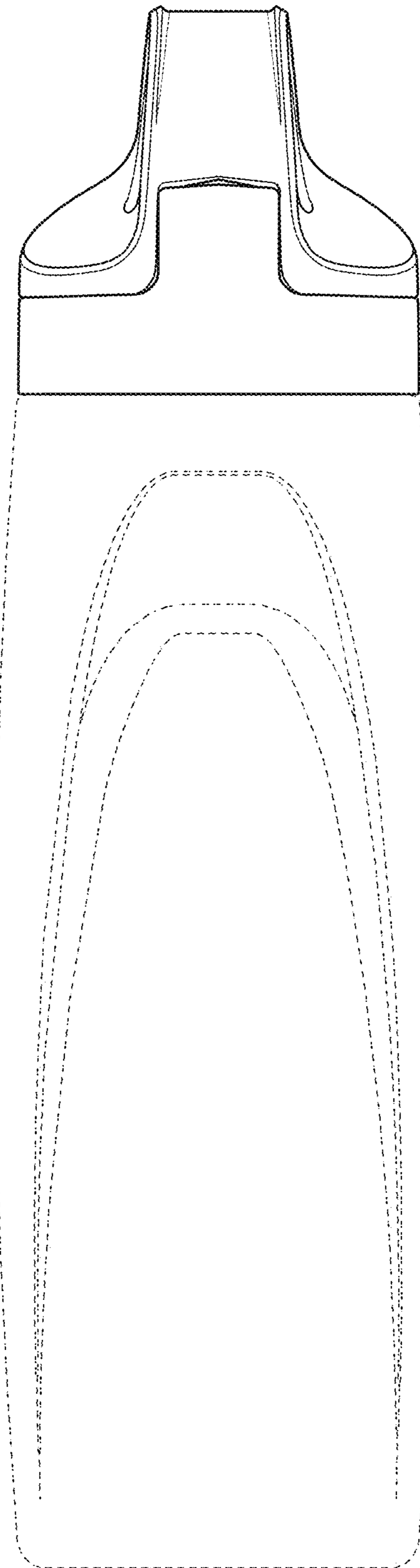


FIG. 5

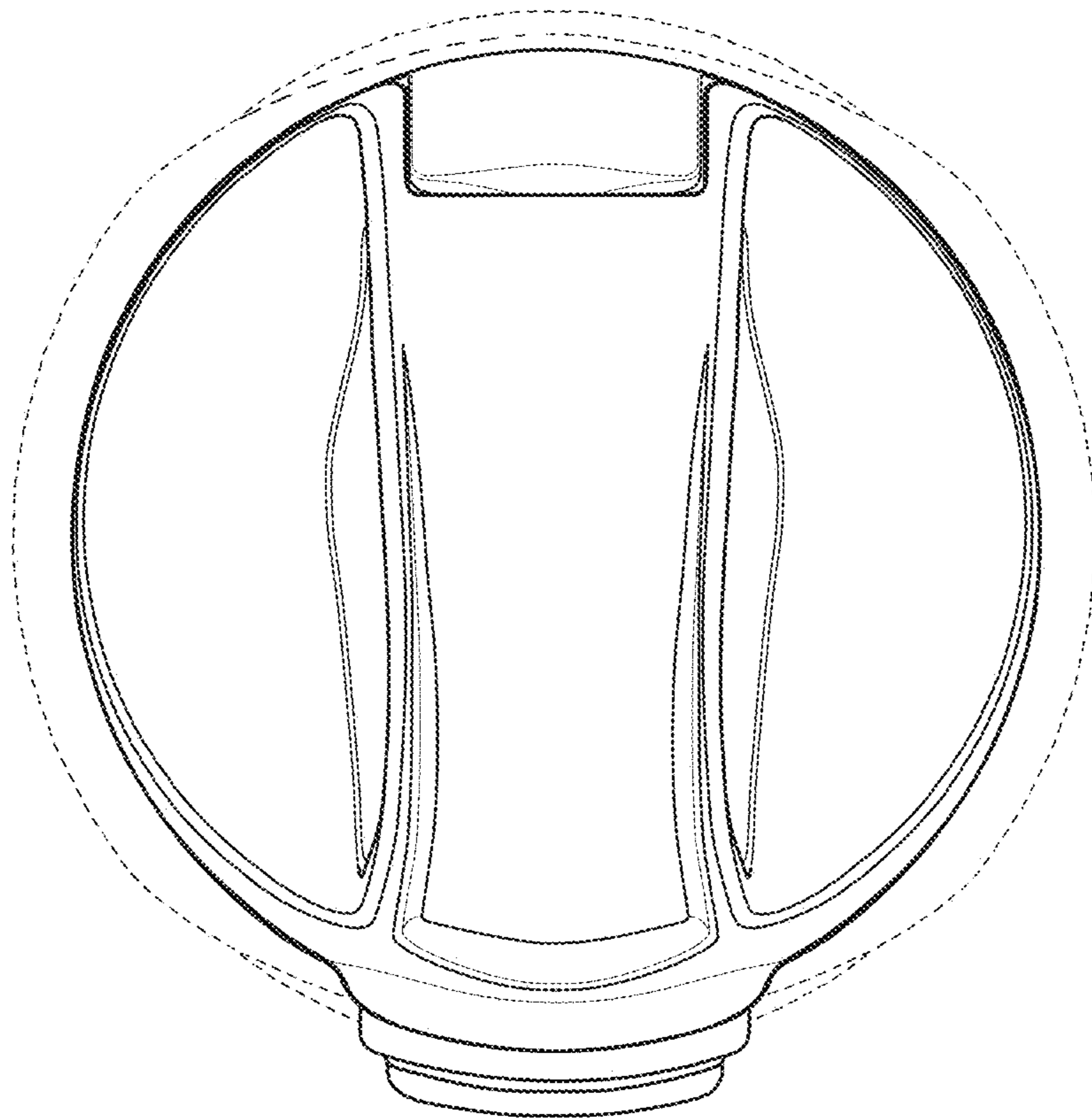


FIG. 6



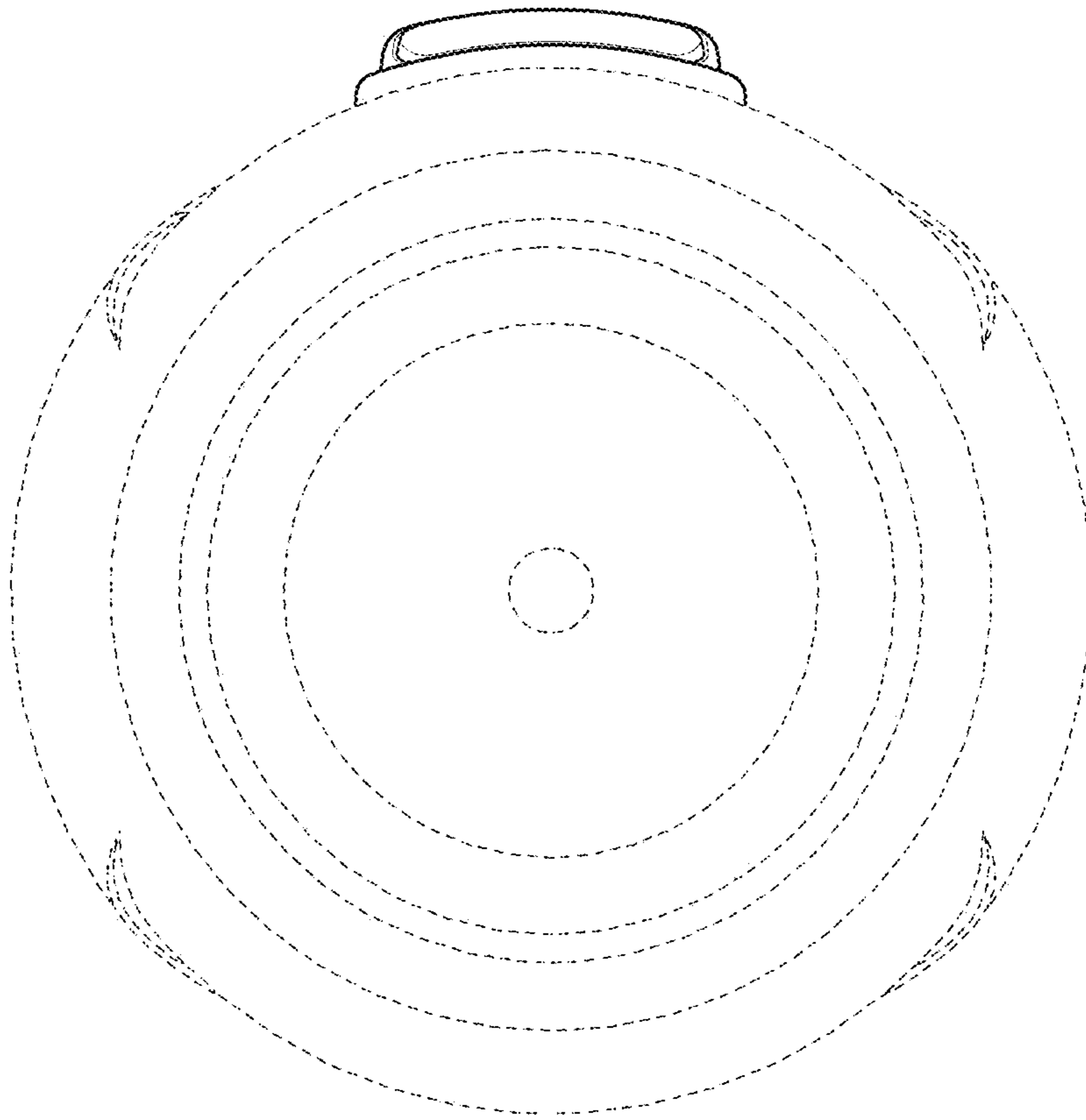


FIG. 7

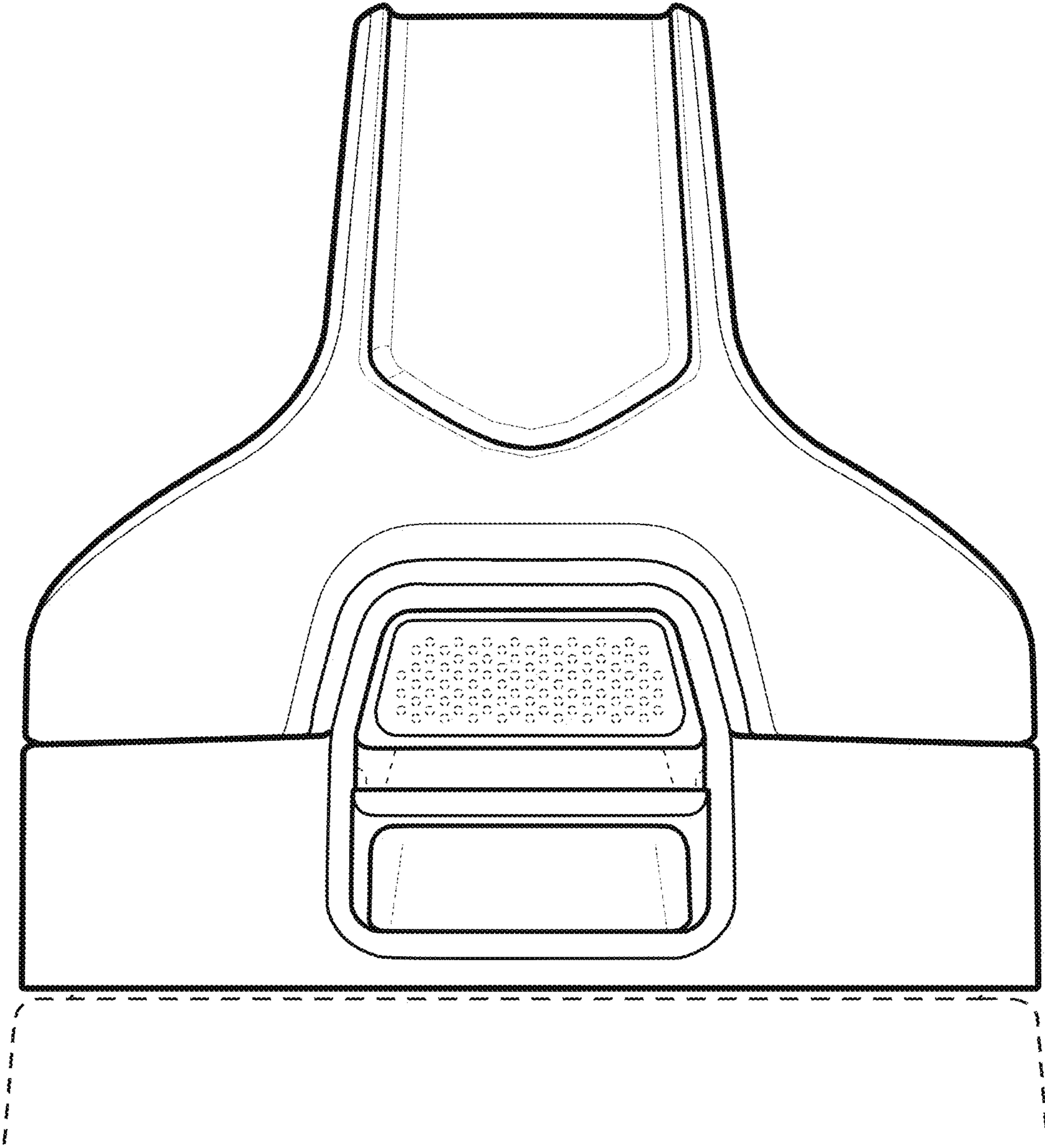


FIG. 8