



US00D930427S

(12) **United States Design Patent** (10) **Patent No.:** **US D930,427 S**  
**Ayres** (45) **Date of Patent:** **\*\* Sep. 14, 2021**

(54) **SPORTS BOTTLE CAP**

(71) Applicant: **DYLN INC.**, Irvine, CA (US)

(72) Inventor: **Dorian R. Ayres**, Costa Mesa, CA (US)

(73) Assignee: **DYLN INC.**, Irvine, CA (US)

(\*\*) Term: **15 Years**

(21) Appl. No.: **29/669,678**

(22) Filed: **Nov. 9, 2018**

(51) **LOC (13) Cl.** ..... **07-01**

(52) **U.S. Cl.**  
USPC ..... **D7/392.1**

(58) **Field of Classification Search**  
USPC ..... D7/391, 392, 392.1, 397, 510, 511, 542,  
D7/543, 602, 605, 629; D9/435, 443,  
D9/447, 449, 454  
CPC ..... B65D 47/305  
See application file for complete search history.

(56) **References Cited**

**U.S. PATENT DOCUMENTS**

D89,681 S	4/1933	Crimmel et al.
2,090,320 A	8/1937	Amick
D282,630 S	2/1986	Braun
D327,842 S	7/1992	Palsby
D329,597 S	9/1992	Gallagher et al.
D379,151 S	5/1997	Stevens
D398,193 S	9/1998	Sanchez
D406,769 S	3/1999	Ackroyd
D512,914 S	12/2005	Moretti

(Continued)

**FOREIGN PATENT DOCUMENTS**

KR 2003188810000 7/2003

**OTHER PUBLICATIONS**

“Avex Freestyle Autospout Water Bottle”. Found online Oct. 24, 2017 at amazon.com. Reference dated Jul. 15, 2014. Retrieved from

[https://www.amazon.com/Freestyle-Autospout-Bottle-Orange-Superhero/dp/B00X0YTDCO/ref=sr\\_1\\_4?ie=UTF8&qid=1508879300&sr=8-4&keywords=avex.\\*](https://www.amazon.com/Freestyle-Autospout-Bottle-Orange-Superhero/dp/B00X0YTDCO/ref=sr_1_4?ie=UTF8&qid=1508879300&sr=8-4&keywords=avex.*)

(Continued)

*Primary Examiner* — Kendra Leslie Hamilton  
(74) *Attorney, Agent, or Firm* — Stetina Brunda Garred & Brucker

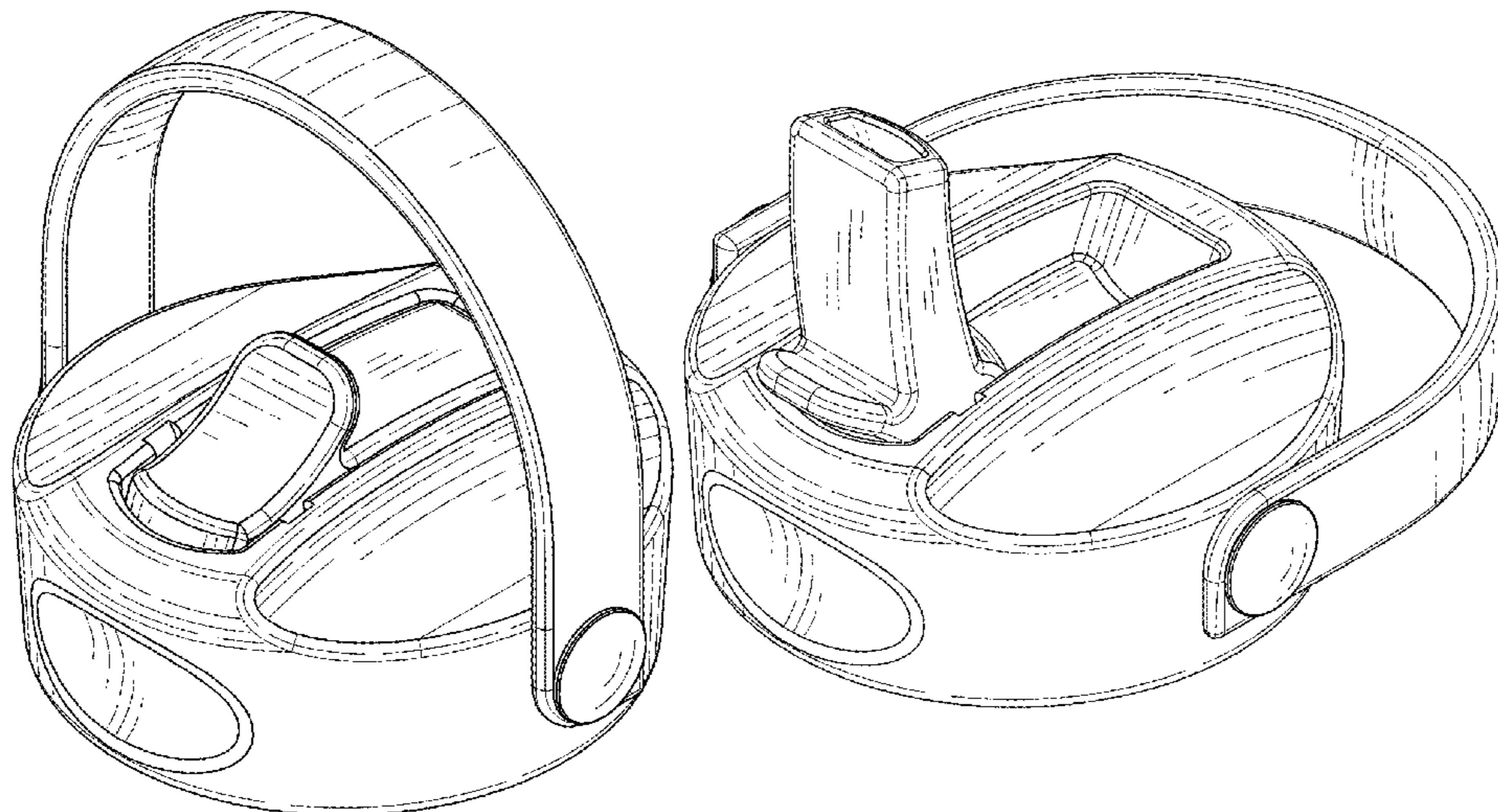
(57) **CLAIM**

The ornamental design for a sports bottle cap, as shown and described.

**DESCRIPTION**

FIG. 1 is a front, right, top perspective view of a sports bottle cap, showing my new design in a first configuration for use with the spout folded and the handle positioned vertically; FIG. 2 is a front, right, bottom perspective view thereof; FIG. 3 is a top plan view thereof; FIG. 4 is a right side elevation view thereof; FIG. 5 is a front elevation view thereof; FIG. 6 is a rear elevation view thereof; FIG. 7 is a left side elevation view thereof; FIG. 8 is a bottom plan view thereof; FIG. 9 is a front, right, top perspective view of the sports bottle cap of FIG. 1, shown in a second configuration of use with the spout extended and the handle positioned to the rear of the cap; FIG. 10 is a front, right, bottom perspective view; FIG. 11 is a top plan view thereof; FIG. 12 is a right side elevation view; FIG. 13 is a front elevation view; FIG. 14 is a rear elevation view thereof; FIG. 15 is a left side elevation view; and, FIG. 16 is a bottom plan view thereof. The equal-length broken lines in the drawings depict portions of the sports bottle cap that form no part of the claimed design.

**1 Claim, 6 Drawing Sheets**



(56)

References Cited

U.S. PATENT DOCUMENTS

D513,386 S 1/2006 Pace et al.  
 D514,936 S 2/2006 Pace et al.  
 D515,426 S 2/2006 Pace et al.  
 D515,439 S 2/2006 Pace  
 D515,928 S 2/2006 Pace  
 D523,752 S 6/2006 Bried et al.  
 D524,909 S \* 7/2006 Bakke ..... D23/233  
 D531,036 S 10/2006 Bried et al.  
 D536,614 S 2/2007 Peterson et al.  
 D592,054 S 5/2009 Floyd et al.  
 D608,195 S 1/2010 Germann  
 D612,235 S 3/2010 Cresswell et al.  
 D614,955 S 5/2010 Cresswell et al.  
 D616,743 S 6/2010 Cresswell et al.  
 D616,744 S 6/2010 Cresswell et al.  
 D620,357 S 7/2010 Jewett et al.  
 D620,358 S 7/2010 Jewett et al.  
 D620,798 S 8/2010 Cresswell et al.  
 D626,416 S 11/2010 Cresswell et al.  
 D632,176 S \* 2/2011 McKinney ..... D9/453  
 D672,238 S 12/2012 Aziz et al.  
 D672,609 S 12/2012 Aziz et al.  
 D683,581 S \* 6/2013 Archer ..... D7/392.1  
 D688,946 S 9/2013 Pirincci  
 D690,987 S 10/2013 Gallen  
 D703,403 S 4/2014 Dey et al.  
 D703,997 S 5/2014 Munari  
 D756,790 S 5/2016 Henriksson  
 D786,012 S 5/2017 Hein et al.  
 D786,025 S 5/2017 Seiders et al.  
 9,688,445 B2 6/2017 Ayres et al.  
 D793,154 S \* 8/2017 Sorensen ..... D7/392.1  
 D799,320 S \* 10/2017 Goodwin ..... D7/392.1  
 D806,468 S 1/2018 Goodwin et al.  
 D811,818 S 3/2018 Wu

D812,428 S 3/2018 Wu  
 D820,637 S \* 6/2018 Davis ..... D7/392.1  
 D824,763 S 8/2018 Suess et al.  
 D829,058 S 9/2018 Seiders et al.  
 D830,783 S 10/2018 Diener et al.  
 D832,651 S 11/2018 Wiet et al.  
 D835,938 S \* 12/2018 Zou ..... D7/392.1  
 D849,482 S 5/2019 Diener et al.  
 D855,386 S 8/2019 Tammen et al.  
 D857,446 S 8/2019 Bell et al.  
 D857,456 S 8/2019 Bell et al.  
 D867,812 S 11/2019 Lane et al.  
 D870,508 S \* 12/2019 Palkon ..... D7/392.1  
 D872,522 S \* 1/2020 Diener ..... D7/392.1  
 D872,524 S \* 1/2020 Bo ..... D7/392.1  
 D885,823 S 6/2020 Ayres  
 2007/0221556 A1 9/2007 Chung  
 2008/0078787 A1 \* 4/2008 Yelland ..... A45F 5/02  
 224/148.1  
 2009/0301990 A1 12/2009 Cresswell et al.  
 2016/0207672 A1 \* 7/2016 Wong ..... B65D 43/0225  
 2016/0318693 A1 11/2016 Hein et al.  
 2019/0135506 A1 \* 5/2019 Merrigan ..... B65D 41/04

OTHER PUBLICATIONS

“Contigo Addison Waterbottle”. Found online May 15, 2020 at amazon.co.uk. Reference dated Jun. 24, 2011. Retrieved from [https://www.amazon.co.uk/...53FFGHY/ref=sr\\_1\\_21?crid=3RSVDAKWD8BN7&dchild=1&keywords=contigo+addison&qid=1589570808&sprefix=contigo+add%2Caps%2C226&sr=8-21.\\*](https://www.amazon.co.uk/...53FFGHY/ref=sr_1_21?crid=3RSVDAKWD8BN7&dchild=1&keywords=contigo+addison&qid=1589570808&sprefix=contigo+add%2Caps%2C226&sr=8-21.*)  
 “Lifefactory Water Bottle with Straw Cap and Silicone Sleeve”. Found online Jun. 28, 2017 at amazon.com. Reference dated Jul. 9, 2013. Retrieved from [https://www.amazon.com/Lifefactory-22-Ounce-BPA-Free-Bottle-Silicone/dp/B00DUHFH6C/ref=sr\\_1\\_22?ie=UTF8&qid=1498675614&sr=8-22&keywords=life+factory.\\*](https://www.amazon.com/Lifefactory-22-Ounce-BPA-Free-Bottle-Silicone/dp/B00DUHFH6C/ref=sr_1_22?ie=UTF8&qid=1498675614&sr=8-22&keywords=life+factory.*)

\* cited by examiner

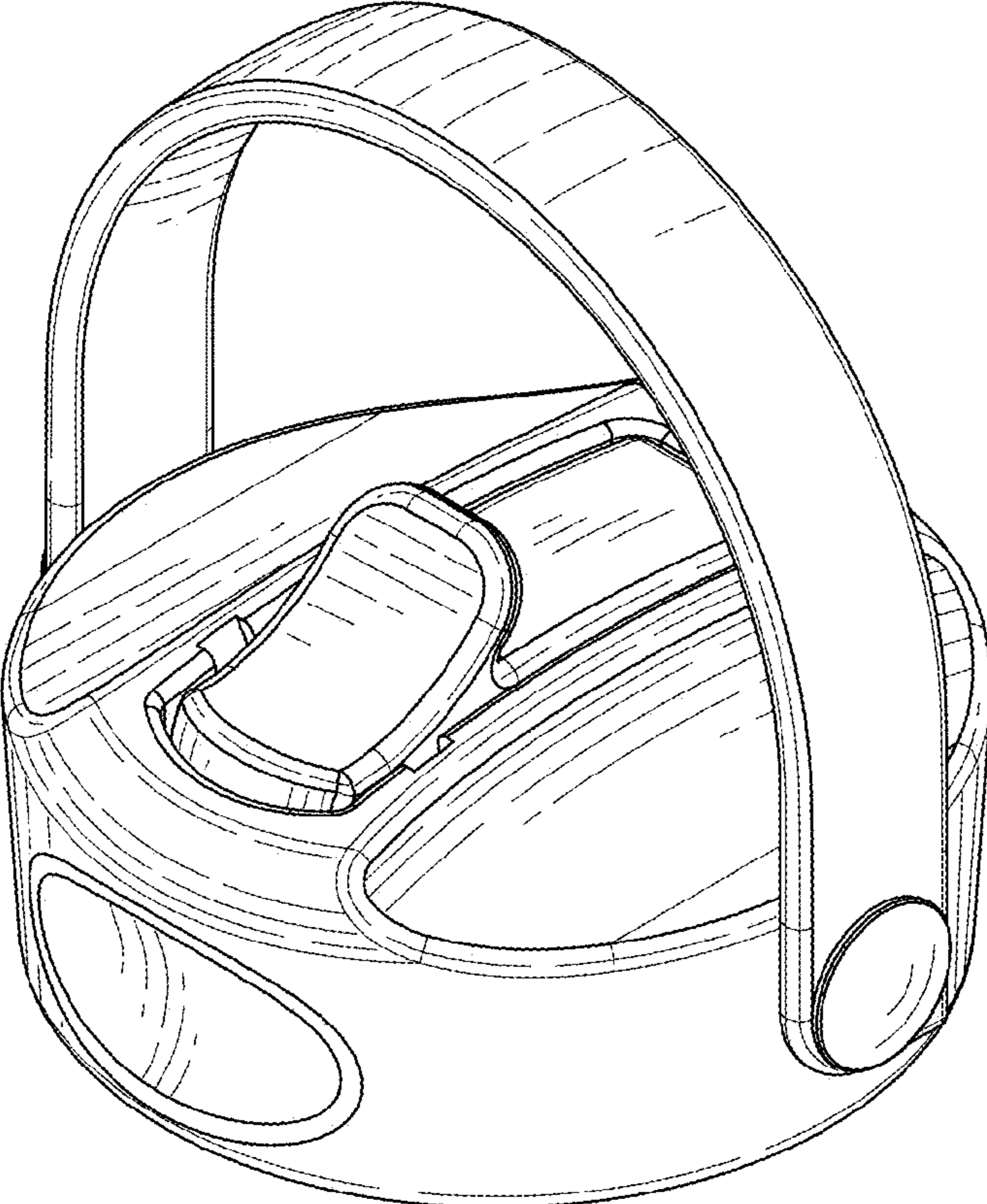


FIG. 1

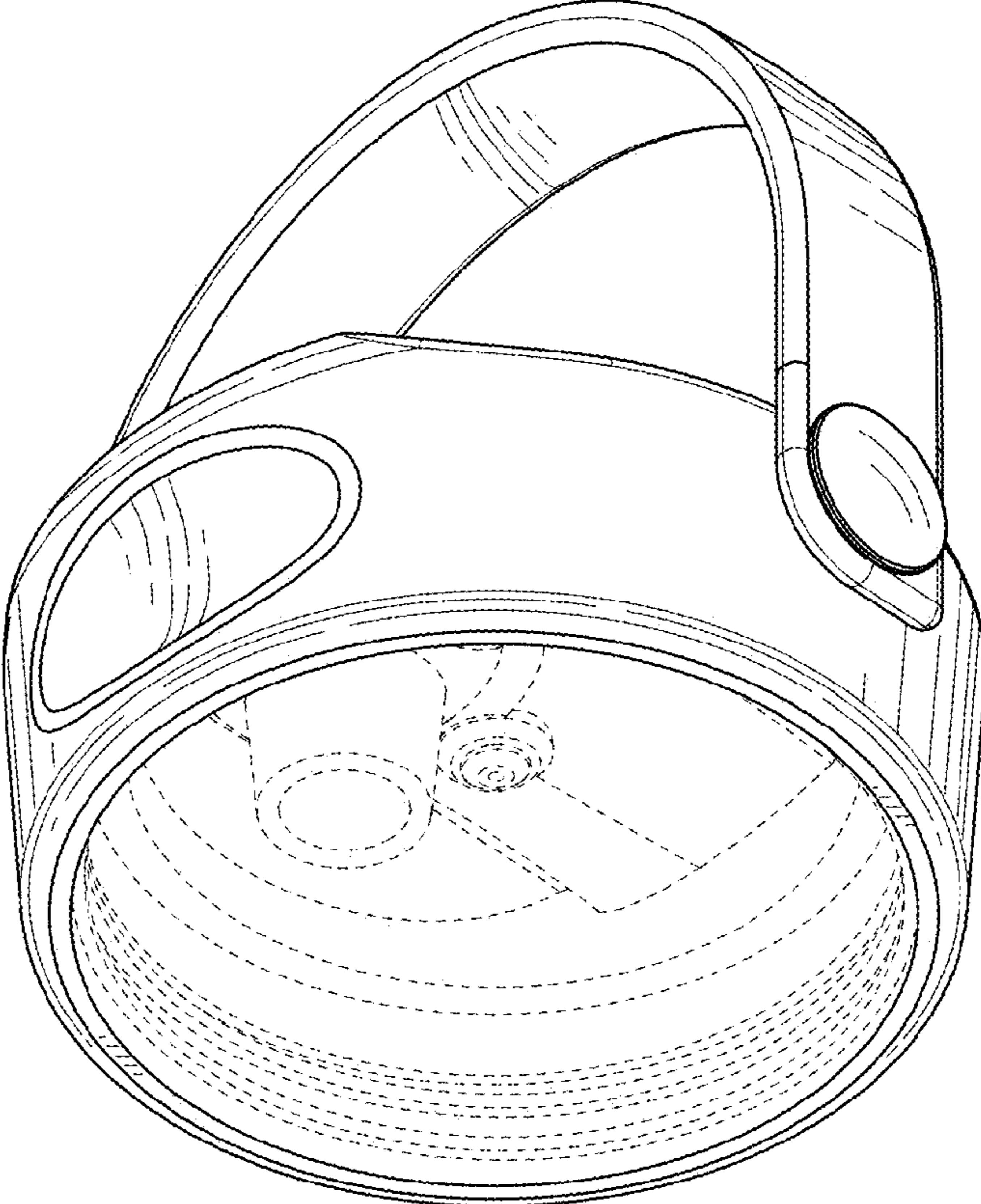
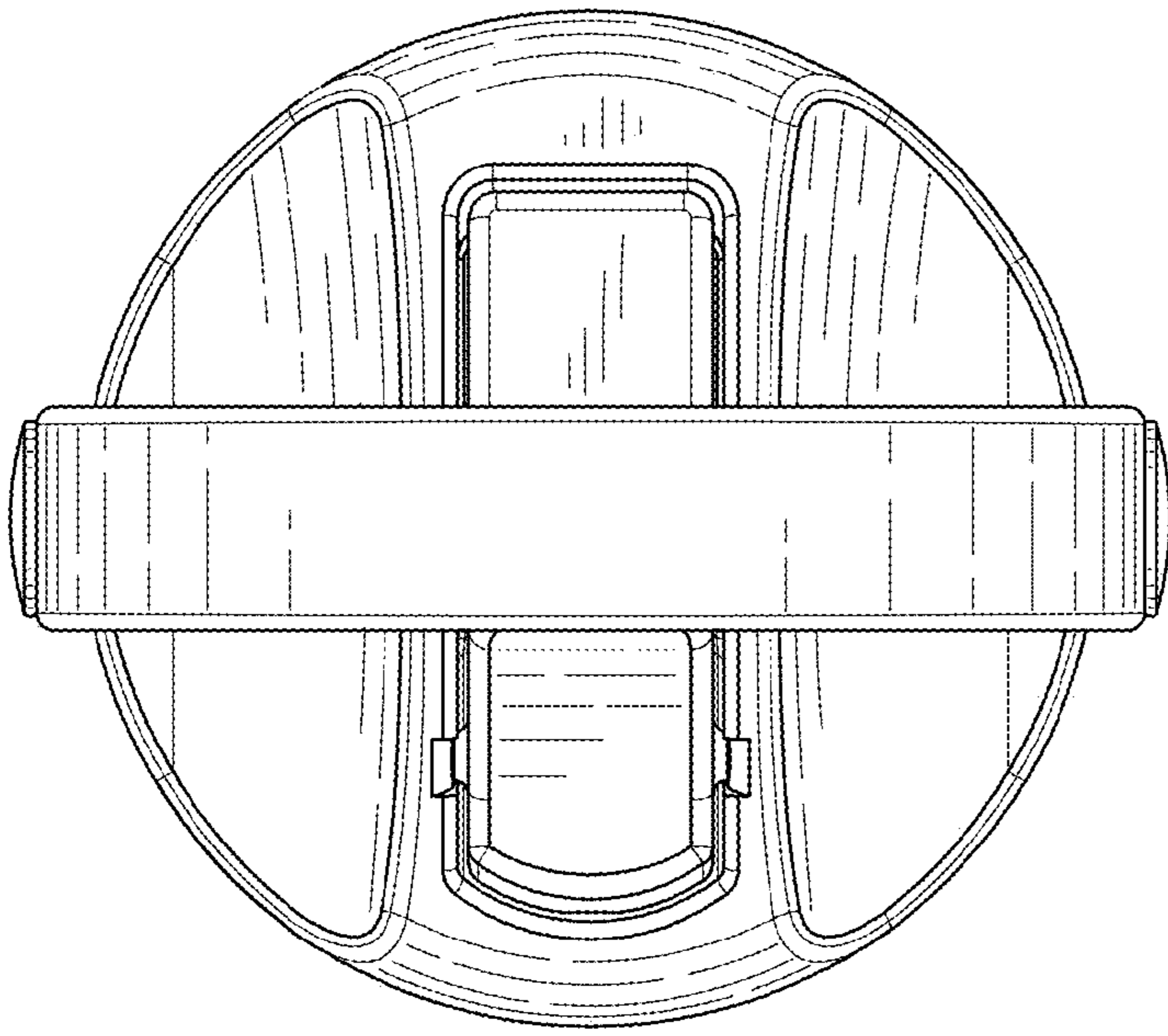
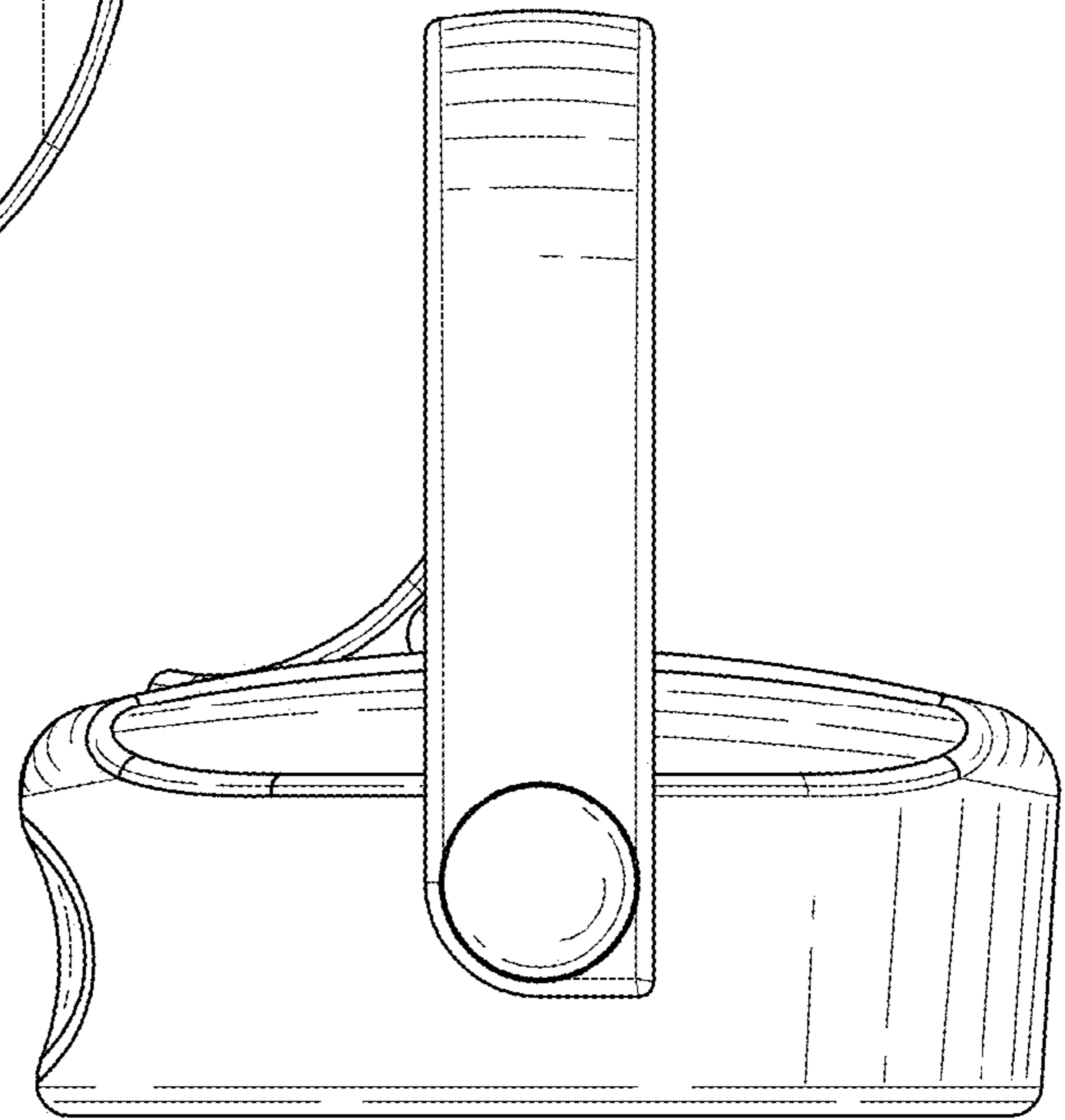


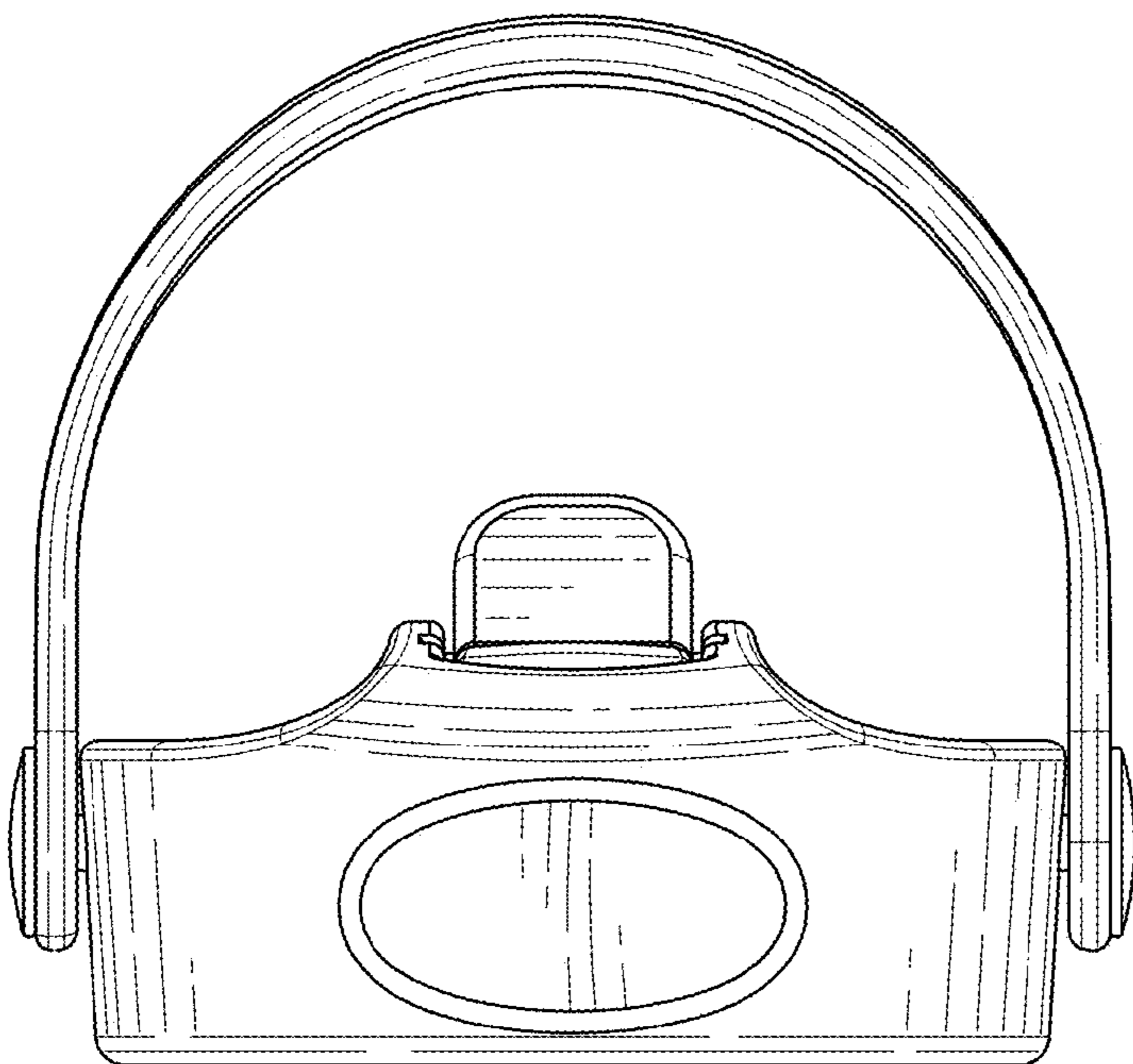
FIG. 2



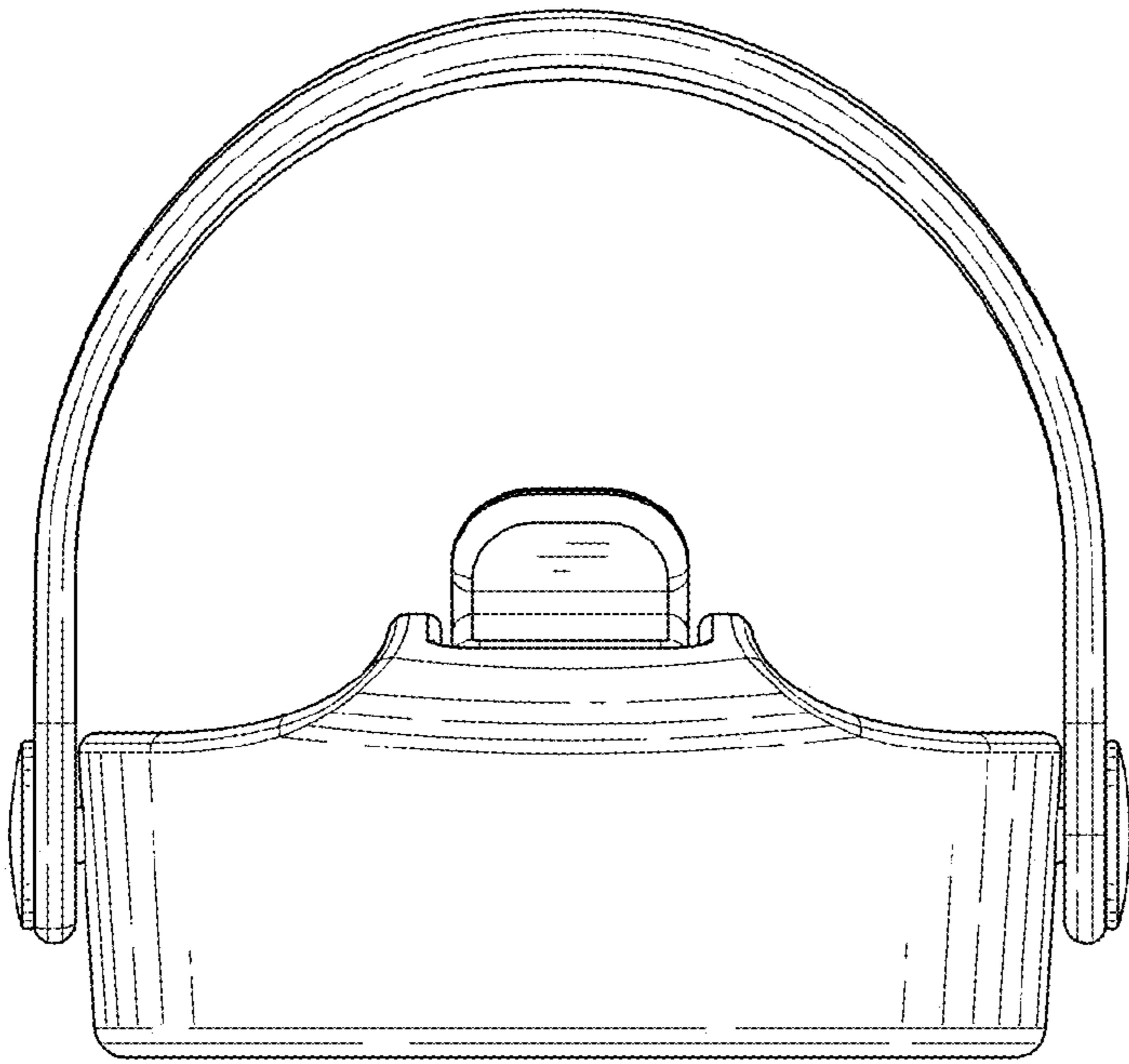
**FIG. 3**



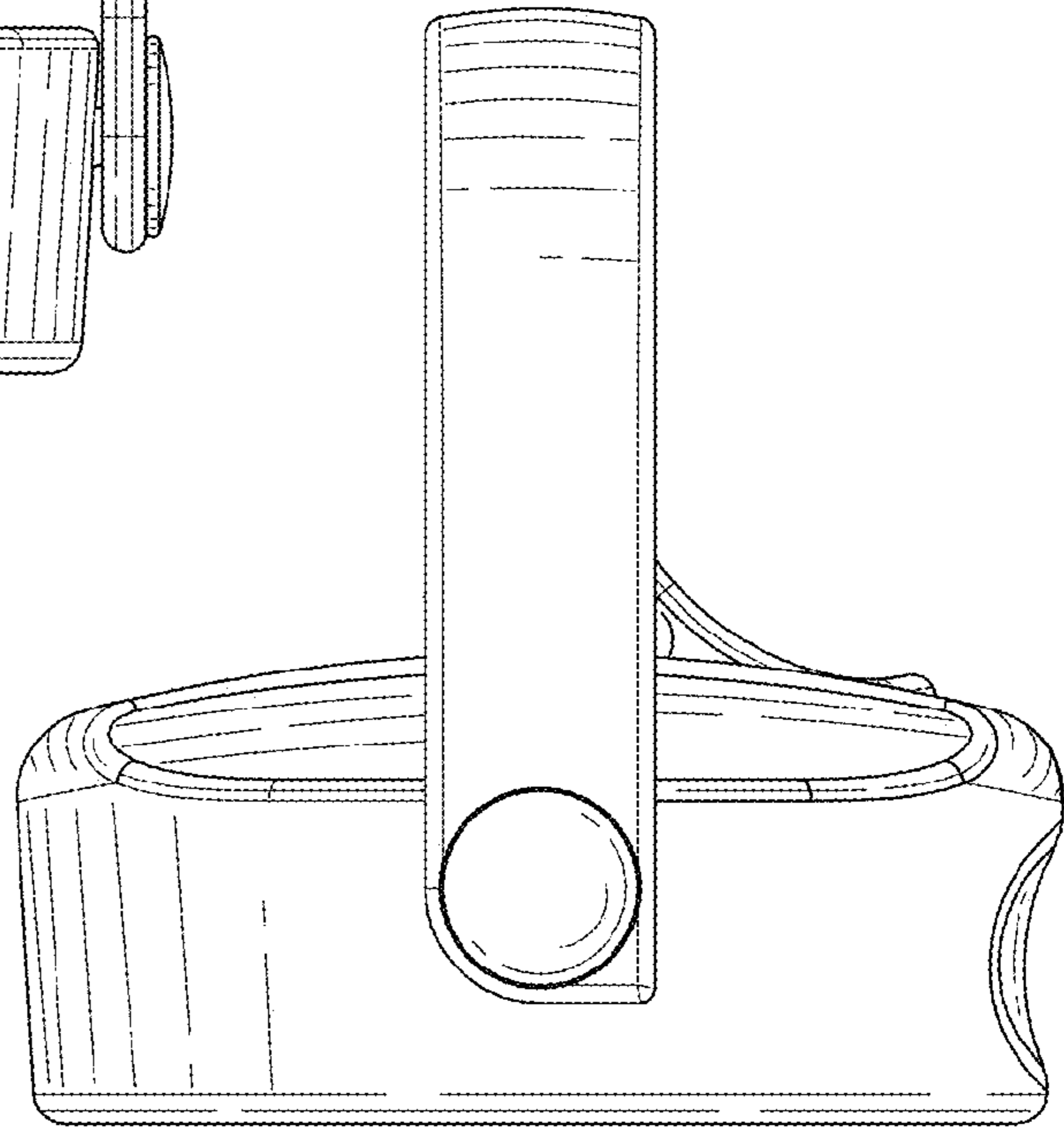
**FIG. 4**



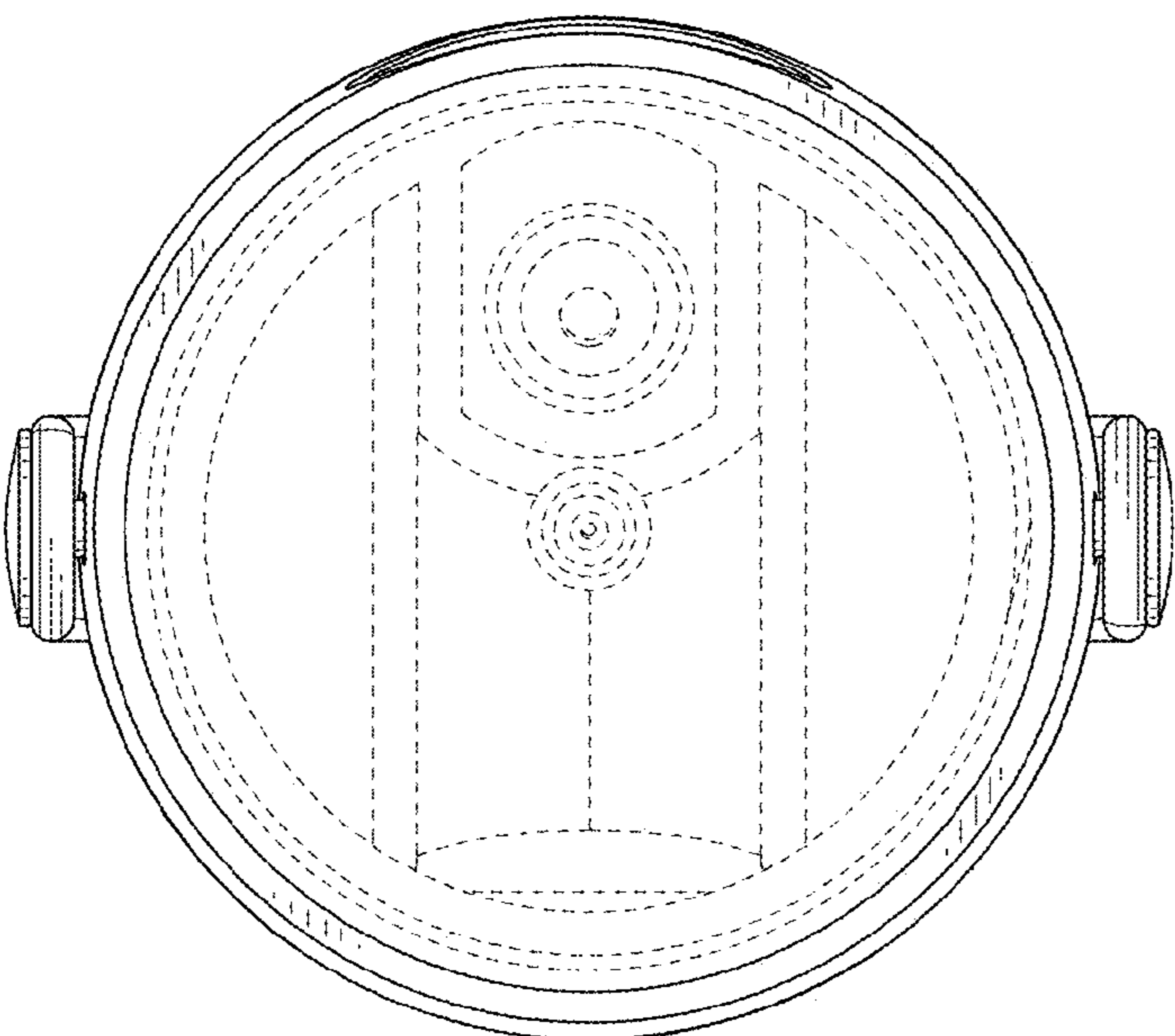
**FIG. 5**



**FIG. 6**



**FIG. 7**



**FIG. 8**

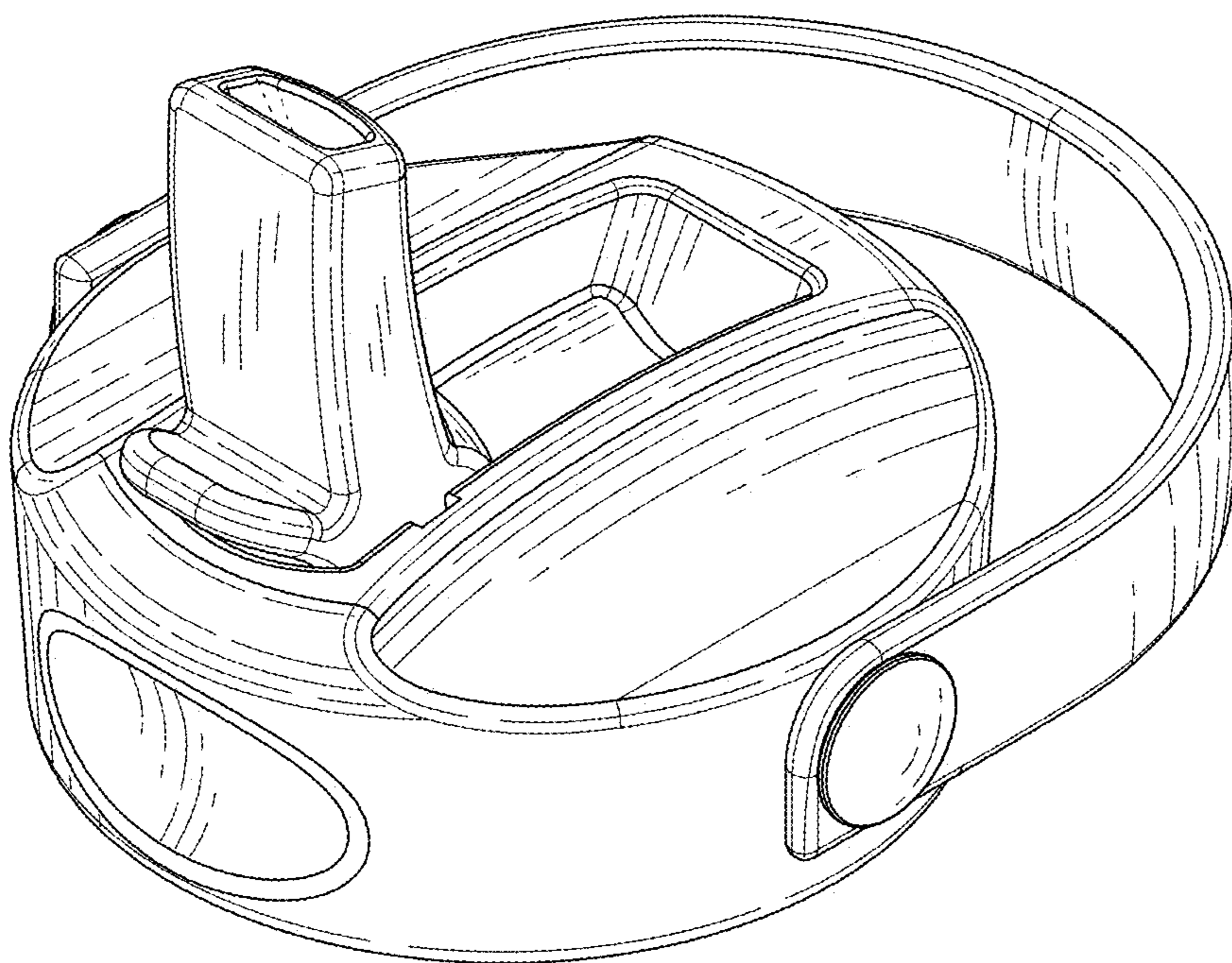


FIG. 9

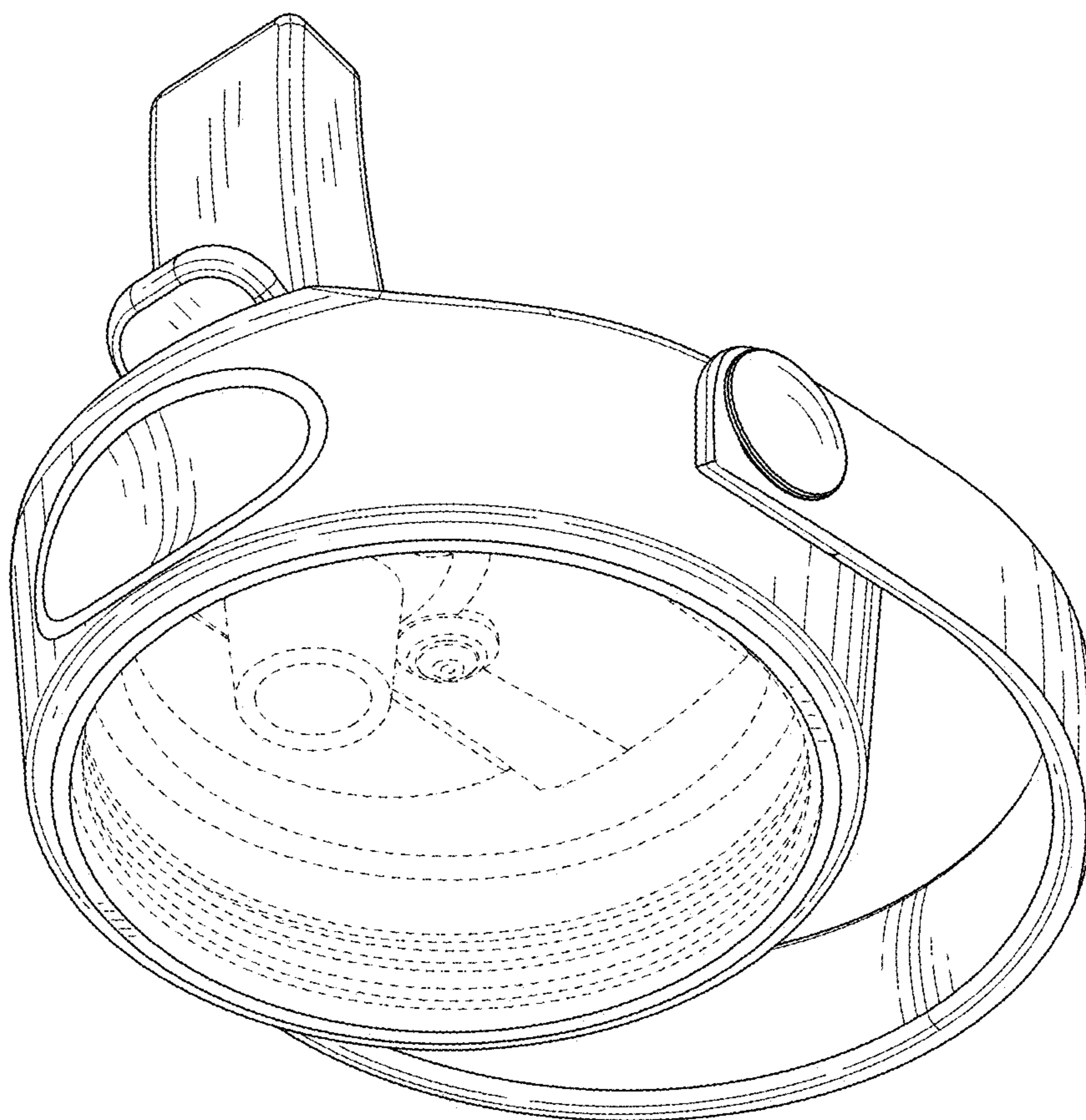


FIG. 10

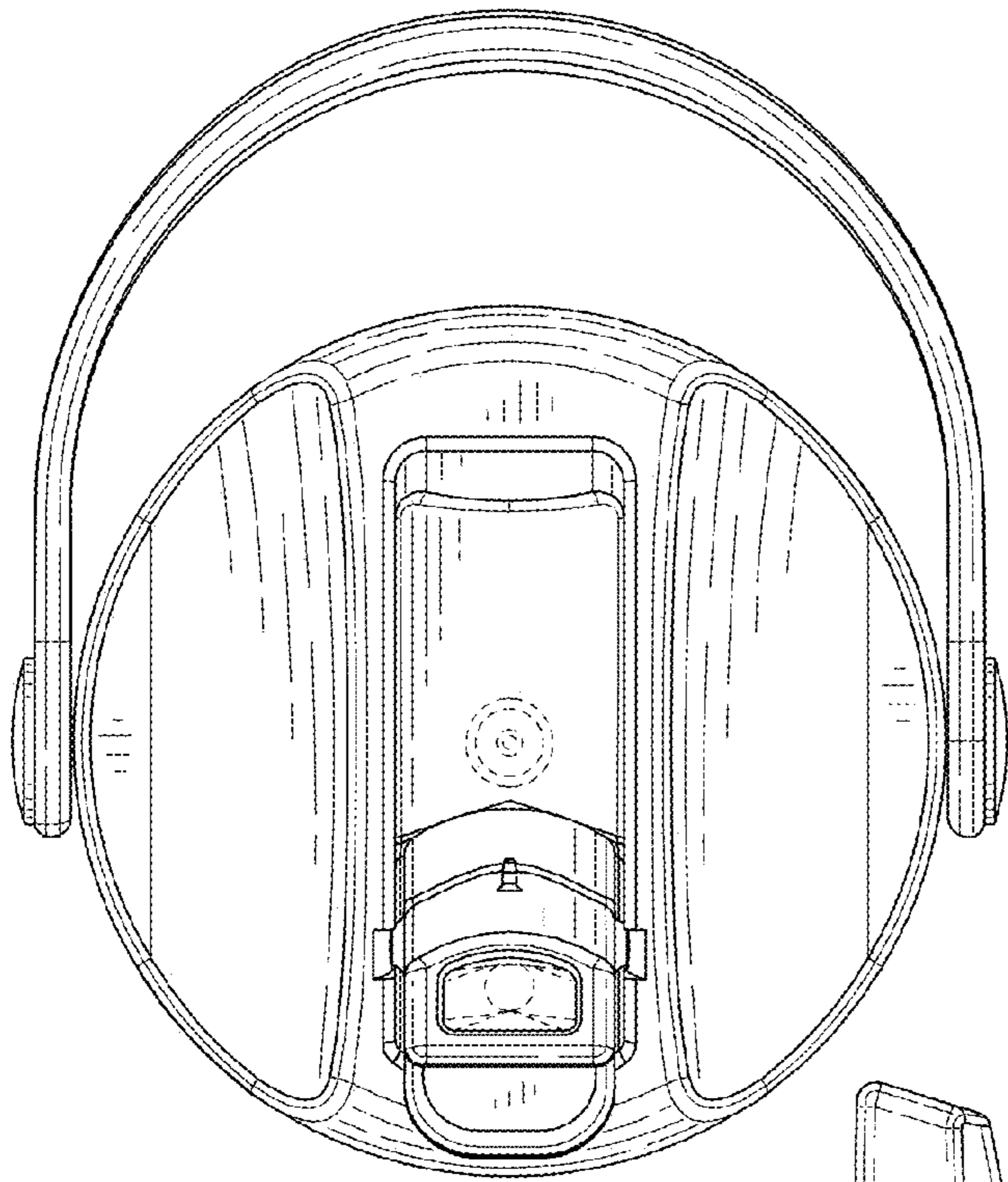


FIG. 11

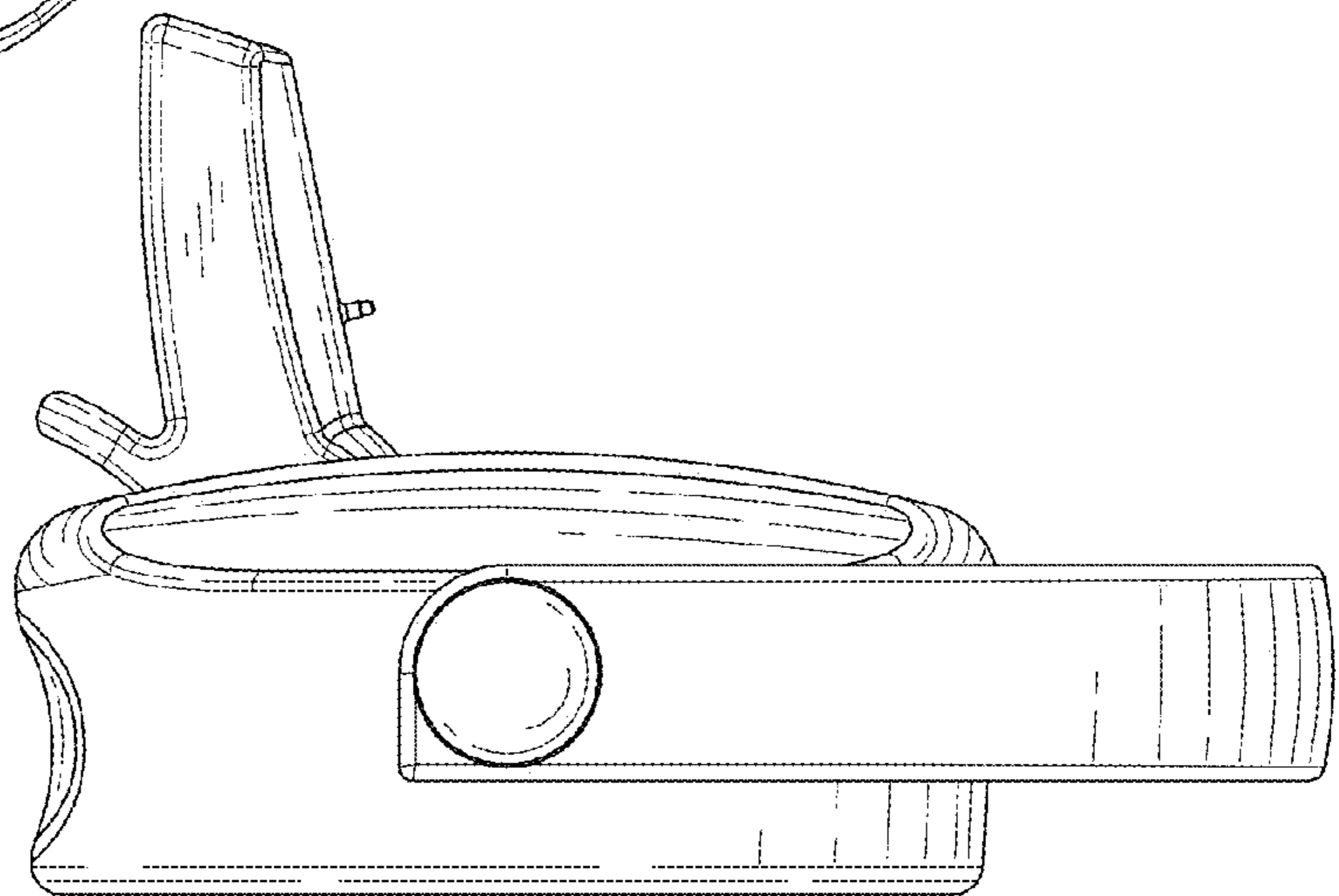


FIG. 12

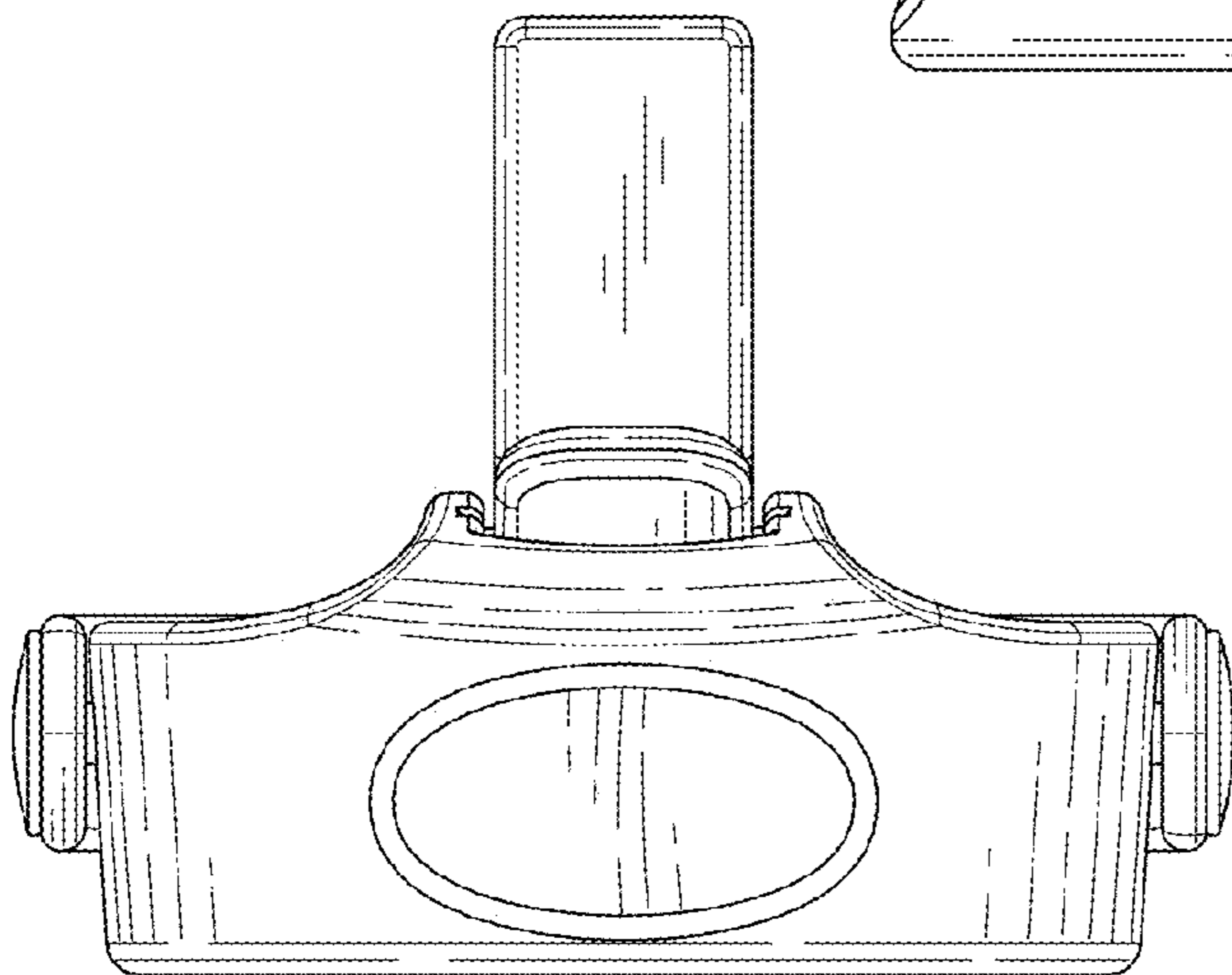


FIG. 13

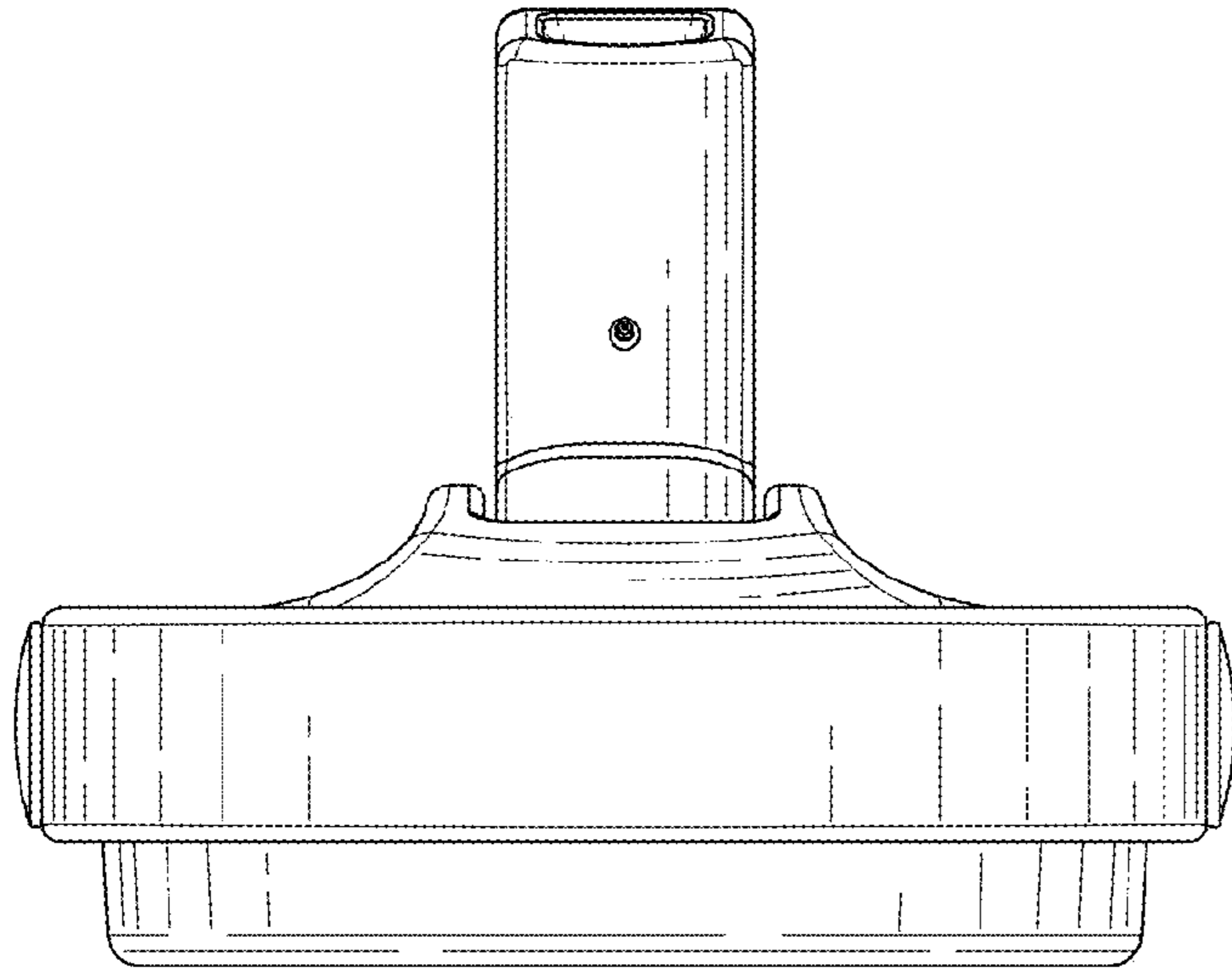


FIG. 14

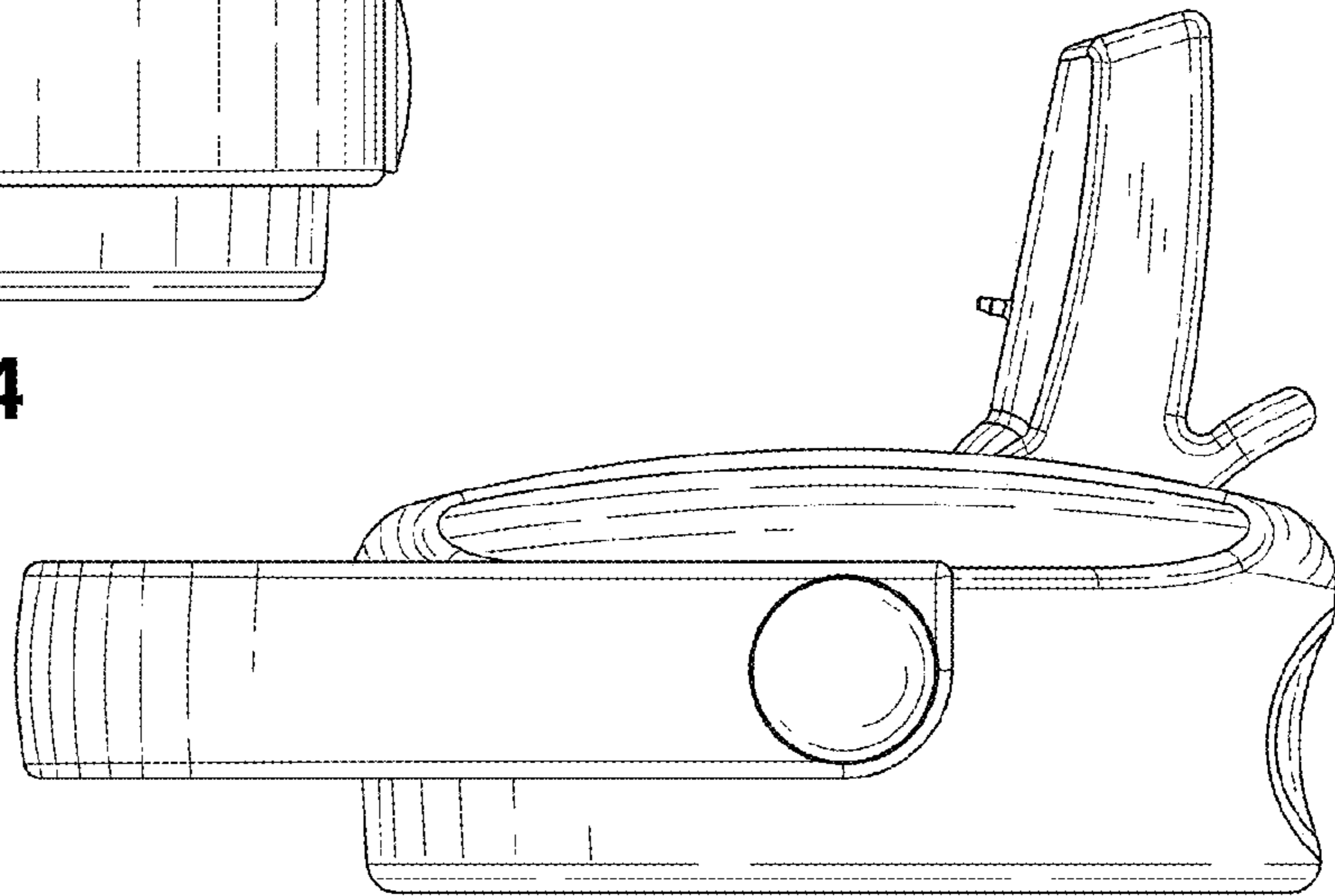


FIG. 15

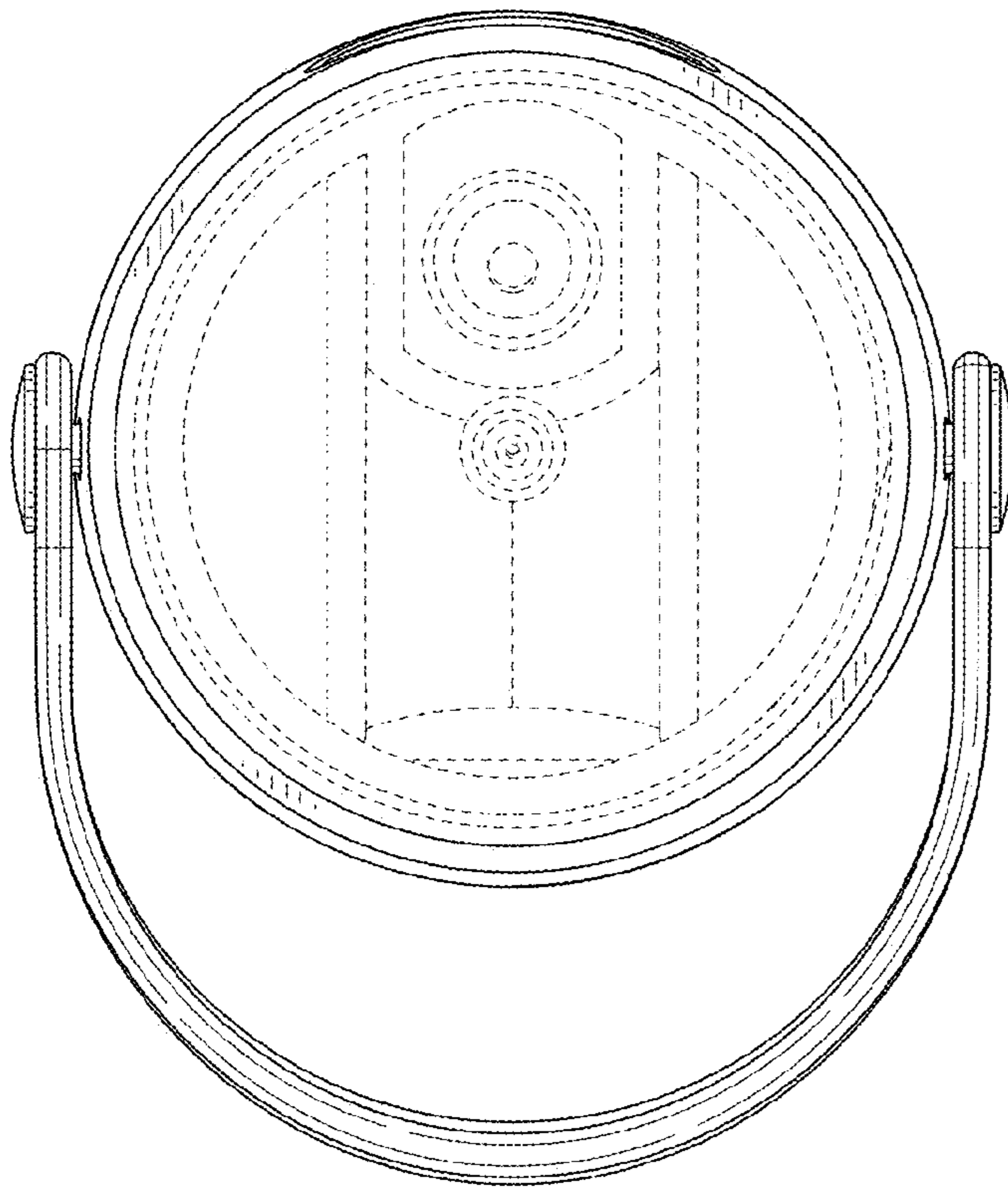


FIG. 16