



US00D930422S

(12) **United States Design Patent** (10) **Patent No.:** **US D930,422 S**
Li (45) **Date of Patent:** **** Sep. 14, 2021**

- (54) **SILICONE BAKING PAN**
- (71) Applicant: **Shenzhen Xiaomo Technology Co., Ltd.**, Shenzhen (CN)
- (72) Inventor: **Lunqiang Li**, Shenzhen (CN)
- (**) Term: **15 Years**
- (21) Appl. No.: **29/768,717**
- (22) Filed: **Feb. 1, 2021**
- (51) **LOC (13) Cl.** **07-02**
- (52) **U.S. Cl.**
USPC **D7/357; D7/354**
- (58) **Field of Classification Search**
USPC D3/304; D7/323, 354–361, 409, 541, D7/543, 545, 549, 550.1, 553.1–553.8, D7/554.1–554.4, 555, 584, 586; D9/425, D9/430–433, 455–456, 737, 756–762; D32/55
CPC A21B 3/00; A21B 3/13; A21B 3/15; A21B 3/134; A21B 5/00; A21B 5/02; A47J 36/022; A47J 36/025; A47J 36/027; A47J 37/00; A47J 37/04; B65D 1/22; B65D 1/24; B65D 1/34; B65D 1/36; B65D 77/0433; B65D 81/343; B65D 85/36
See application file for complete search history.

- D656,789 S * 4/2012 Locke B65D 77/0433 D7/541
- D707,077 S * 6/2014 Sarnoff D7/357
- D713,196 S * 9/2014 Sarnoff D7/357
- D714,583 S 10/2014 Kwon et al.
- D762,083 S 7/2016 Librus
- D792,211 S * 7/2017 Foster D9/425
- D792,222 S * 7/2017 Sill D9/456
- D857,454 S * 8/2019 Makabi D7/409
- D917,949 S * 5/2021 Place D7/357

OTHER PUBLICATIONS

Silicone Sheet Pan Set, XOMOO 4PCS Nonstick Silicone Dividers for Baking Trays. Date First Available Jan. 29, 2021 <https://www.amazon.com/Silicone-Nonstick-Dividers-Accessories-Dishwasher/dp/B08VD28DG6/ref> (Year: 2021).*

* cited by examiner

Primary Examiner — Ricky Pham

(74) *Attorney, Agent, or Firm* — Rumit Ranjit Kanakia

(57) **CLAIM**

I claim the ornamental design for a silicone baking pan, as shown and described.

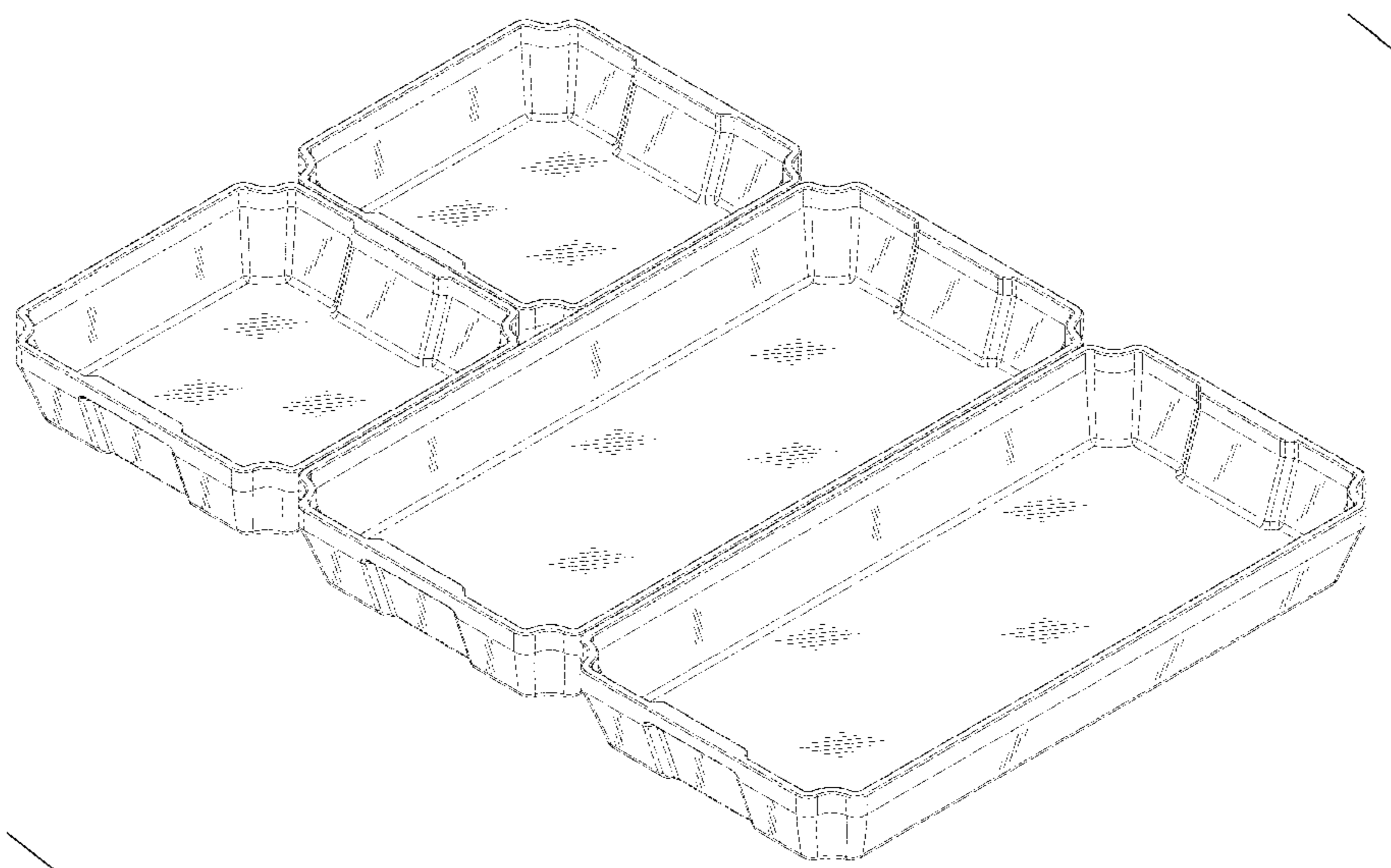
DESCRIPTION

FIG. 1 is a Perspective view of a silicone baking pan showing my new design;
 FIG. 2 is a Front view thereof;
 FIG. 3 is a Back view thereof;
 FIG. 4 is a Right-side view thereof;
 FIG. 5 is a Left-side view thereof;
 FIG. 6 is a Top view thereof;
 FIG. 7 is a Bottom view thereof; and,
 FIG. 8 is a Perspective view of a silicon baking pan showing with tray.
 The broken lines in the drawings depict portions of the silicone baking pan that form no part of the claimed design.

1 Claim, 6 Drawing Sheets

(56) **References Cited**
U.S. PATENT DOCUMENTS

- 4,202,465 A * 5/1980 McLaren B65D 77/0433 229/120.17
- D380,347 S * 7/1997 Norton D7/409
- D414,372 S * 9/1999 Fullmer D7/323
- D489,567 S 5/2004 Groll
- D551,492 S 9/2007 Schuler
- D563,673 S * 3/2008 Dretzka D3/304
- D595,155 S * 6/2009 Larson D9/425
- D621,204 S 8/2010 Henry
- D640,433 S * 6/2011 Pargansky D32/55
- D653,496 S 2/2012 Henry



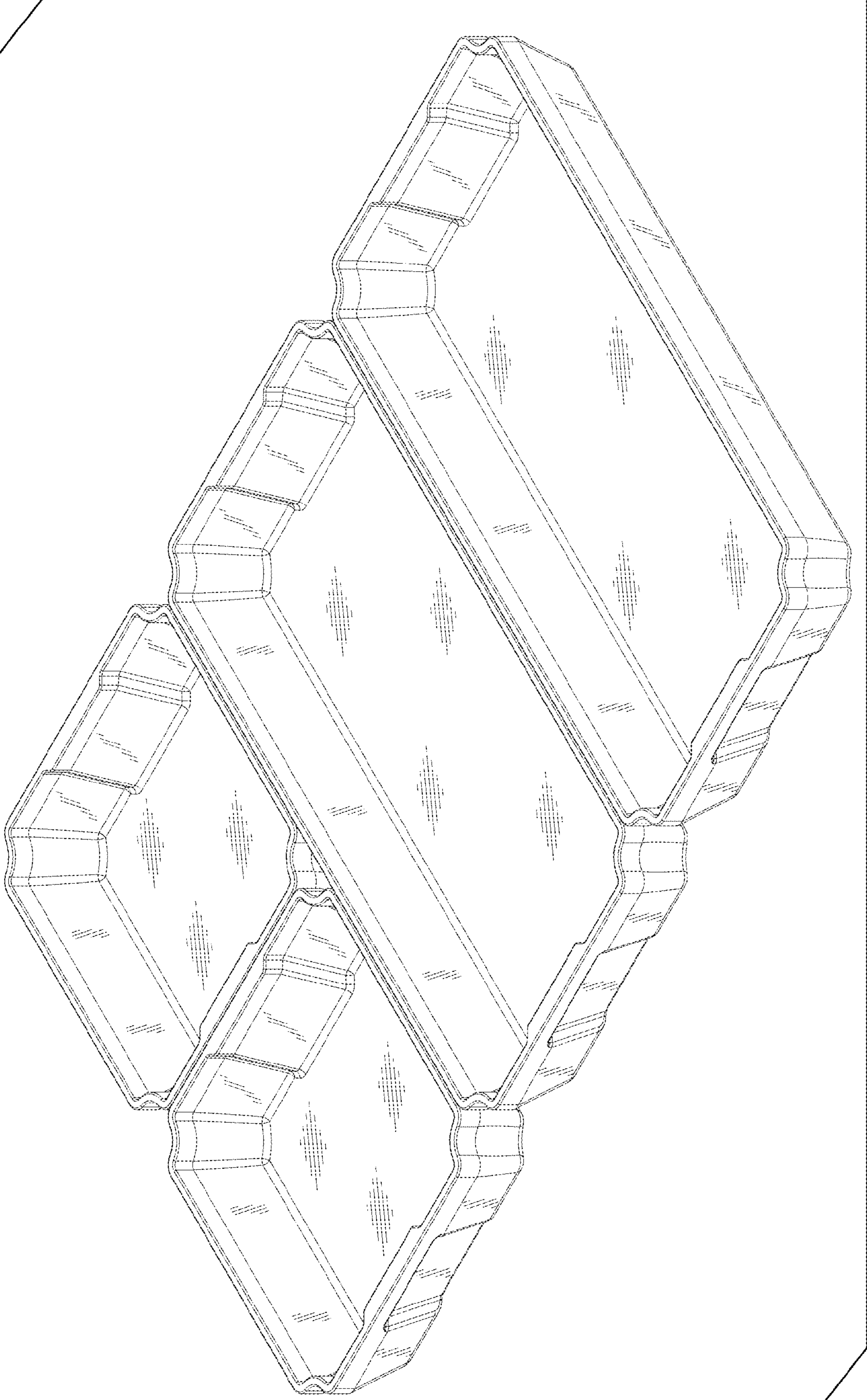


FIG. 1

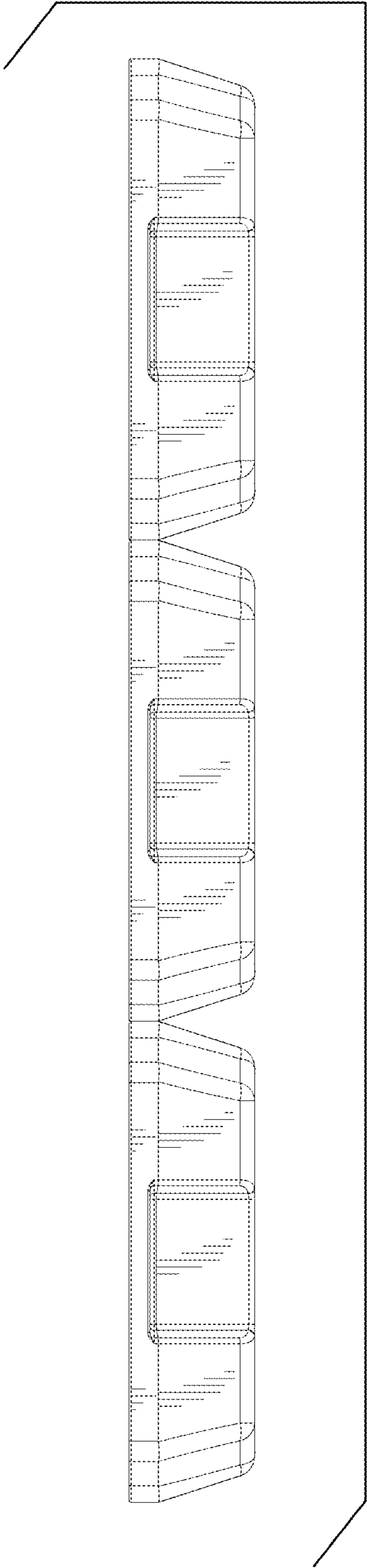


FIG. 2

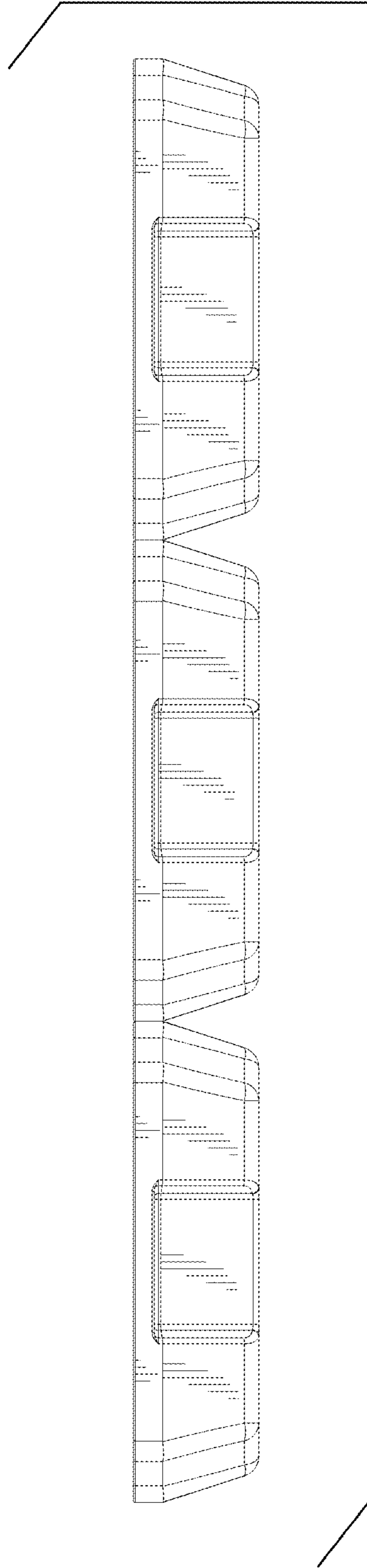


FIG. 3

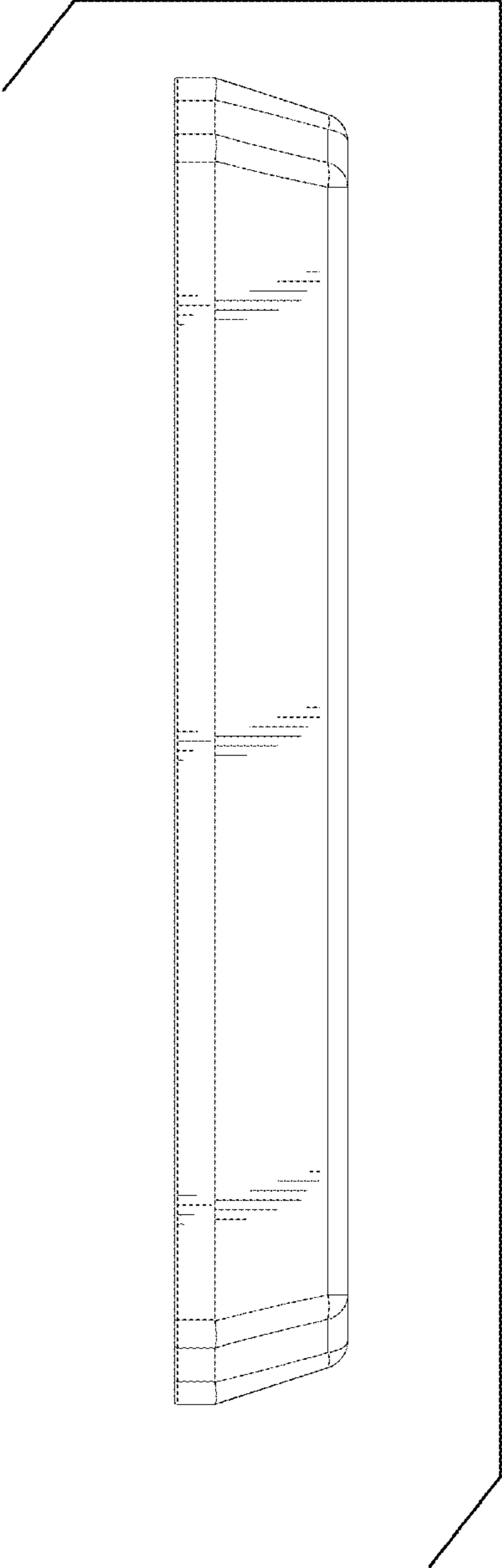


FIG. 4

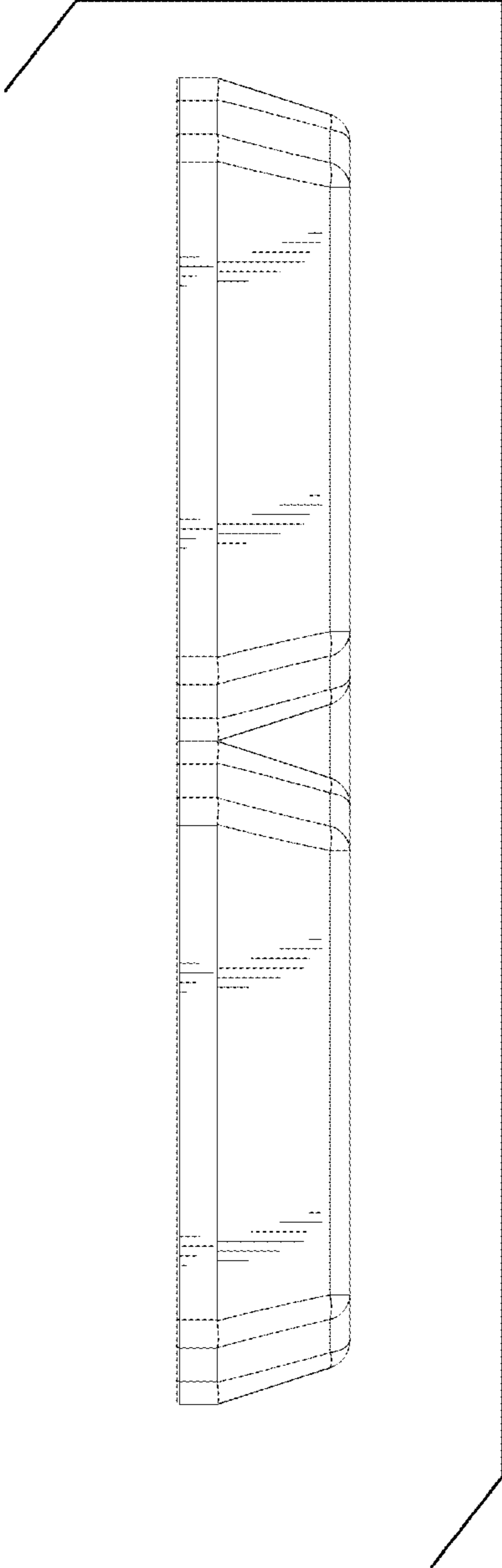


FIG. 5

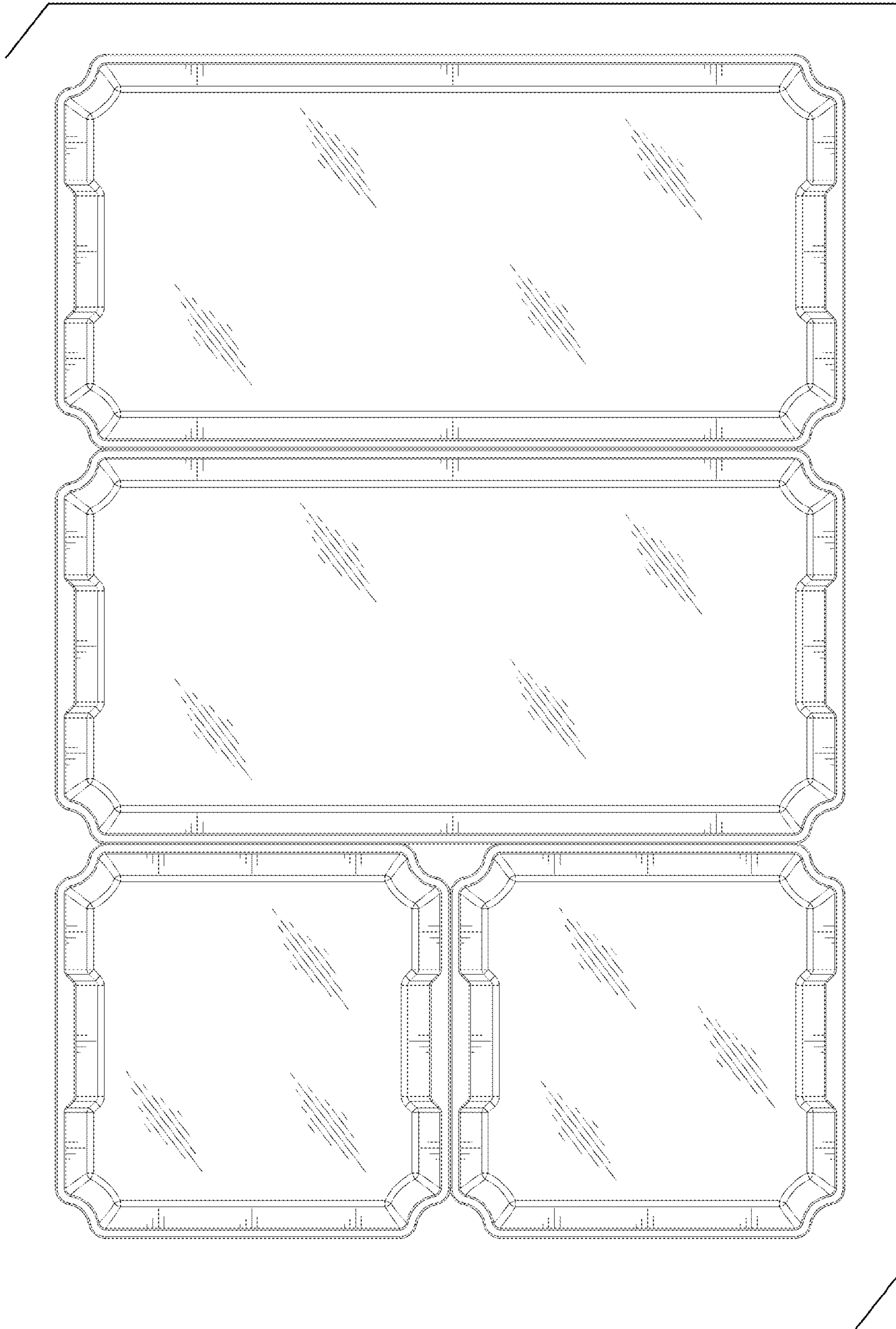


FIG. 6

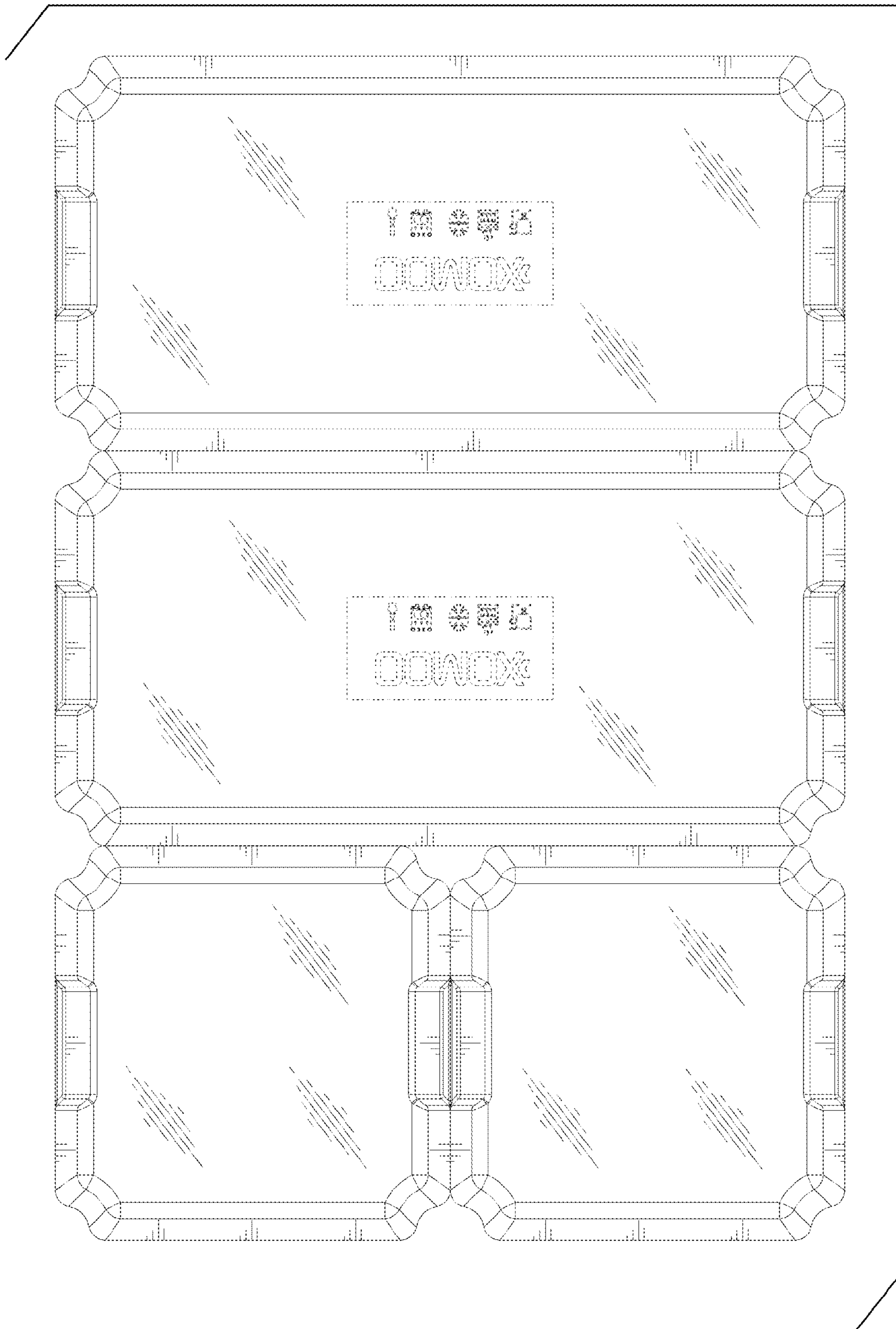


FIG. 7

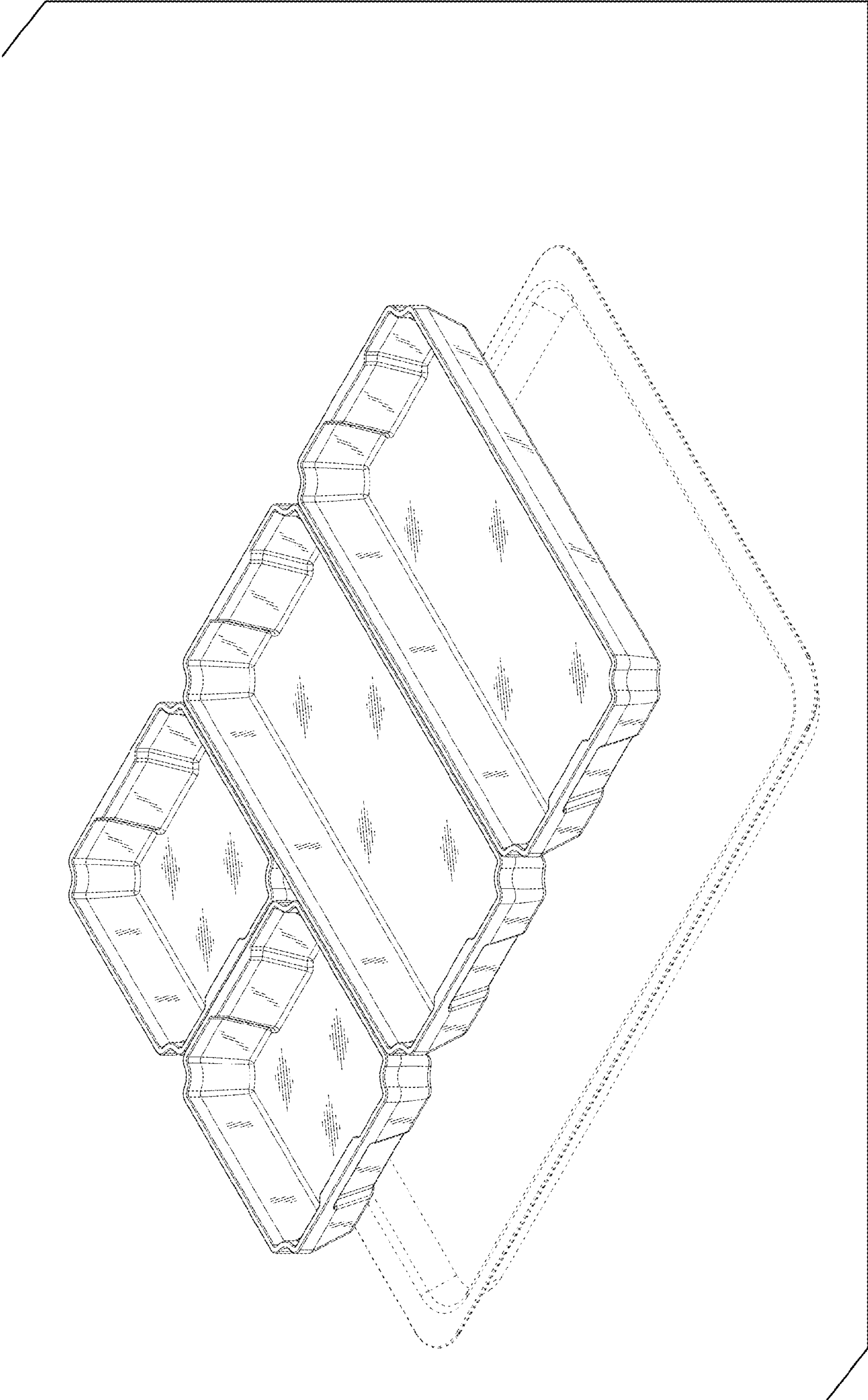


FIG. 8