



US00D930421S

(12) **United States Design Patent** (10) **Patent No.:** **US D930,421 S**
Caya et al. (45) **Date of Patent:** **** Sep. 14, 2021**

(54) **CONTAINER AND LID ASSEMBLY**

(71) Applicant: **Spike Brewing LLC**, Milwaukee, WI (US)
(72) Inventors: **Benjamin Caya**, Milwaukee, WI (US); **Adrian Deasy**, Waukesha, WI (US)
(73) Assignee: **Spike Brewing LLC**, Milwaukee, WI (US)

(**) Term: **15 Years**
(21) Appl. No.: **29/681,761**
(22) Filed: **Feb. 27, 2019**

(51) **LOC (13) Cl.** **07-02**
(52) **U.S. Cl.**
USPC **D7/354; D7/323**

(58) **Field of Classification Search**
USPC D7/323, 332, 334, 335, 354–361, 368, D7/391, 393
CPC A47J 27/00; A47J 27/004; A47J 27/08; A47J 27/0802; A47J 27/0804; A47J 27/0806; A47J 27/0811; A47J 27/0813; A47J 27/0815; A47J 27/0817; A47J 27/084; A47J 27/09; A47J 27/092; A47J 27/13; A47J 27/62; A47J 36/025; A47J 36/06; A47J 36/08; A47J 36/26; A47J 37/0704; A47J 37/07; A47J 37/12; A47J 37/1204; A47J 37/1209; A47J 43/0772; A47J 45/07; A47J 45/071; A47J 45/074; A47J 45/08; B01D 2201/345; B01J 3/03; B01J 3/04; F01P 2011/0247; F01P 2011/0252; F26B 9/003; H05B 6/00; H05B 6/02; H05B 6/06
See application file for complete search history.

(56) **References Cited**

U.S. PATENT DOCUMENTS

3,326,410 A 6/1967 Asenbauer
3,369,691 A 2/1968 Wei
3,409,169 A 11/1968 Levenhagen
3,474,843 A 10/1969 Maris

(Continued)

FOREIGN PATENT DOCUMENTS

CA 2526783 A1 5/2007
DE 9308054 U1 9/1993

(Continued)

OTHER PUBLICATIONS

SS Brewtech, “The Brew Bucket 7 Gallon 304 Stainless Steel Fermenter,” <<https://www.ssbrewtech.com/products/brewbucket>> website available as early as Oct. 2013, 4 pages.

Primary Examiner — Ricky Pham

(74) *Attorney, Agent, or Firm* — Michael Best & Friedrich LLP

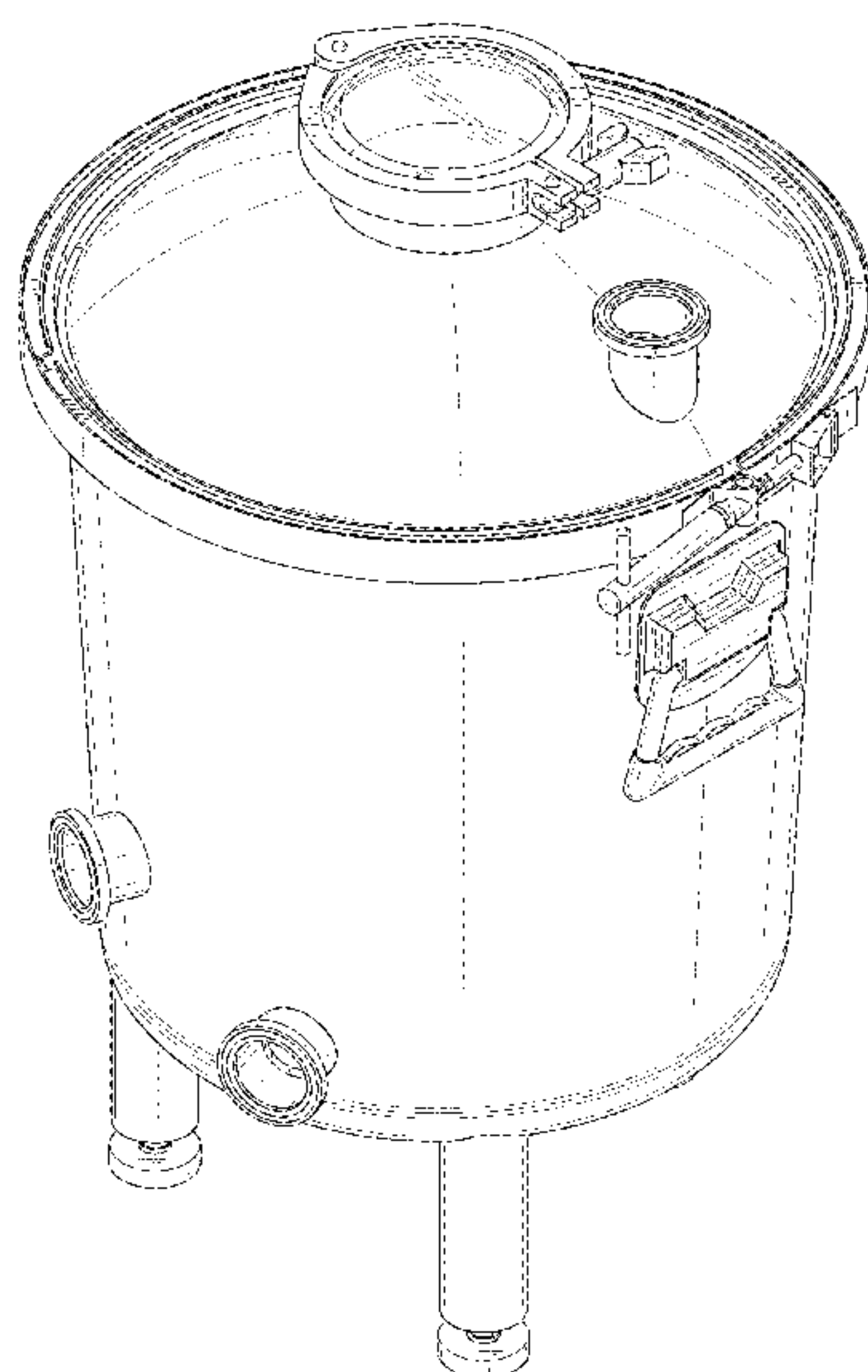
(57) **CLAIM**

We claim the ornamental design for a container and lid assembly, as shown and described.

DESCRIPTION

FIG. 1 is a perspective view of a container and lid assembly according to one embodiment.
FIG. 2 is a front view of the container and lid assembly of FIG. 1.
FIG. 3 is a rear view of the container and lid assembly of FIG. 1.
FIG. 4 is a first side view of the container and lid assembly of FIG. 1.
FIG. 5 is a second side view of the container and lid assembly of FIG. 1.
FIG. 6 is a top view of the container and lid assembly of FIG. 1; and,
FIG. 7 is a bottom view of the container and lid assembly of FIG. 1.
Portions of the container and lid assembly shown in broken lines are included for the purpose of illustrating environment and form no part of the claimed design.

1 Claim, 7 Drawing Sheets



(56)

References Cited

U.S. PATENT DOCUMENTS

3,587,904 A 6/1971 Harris et al.
 3,606,949 A 9/1971 Joyce
 3,967,731 A 7/1976 Boduch
 4,027,796 A 6/1977 Martin
 4,093,070 A 6/1978 Stahl
 4,105,117 A 8/1978 Atkin et al.
 4,161,252 A 7/1979 Howells
 4,293,072 A 10/1981 Hill et al.
 4,325,492 A 4/1982 Kunze
 4,372,444 A 2/1983 Le Grand et al.
 4,473,155 A 9/1984 Howitt
 4,690,272 A 9/1987 Adams
 4,703,857 A 11/1987 Jahnen et al.
 4,746,034 A 5/1988 Ata et al.
 4,759,451 A 7/1988 Apps
 4,770,300 A 9/1988 Klein
 4,823,955 A 4/1989 Apps
 4,832,202 A 5/1989 Newman et al.
 4,919,267 A 4/1990 Stoll
 4,989,741 A 2/1991 Dull et al.
 5,127,524 A 7/1992 Howitt
 5,163,587 A 11/1992 Apps et al.
 5,307,956 A 5/1994 Richter et al.
 5,373,961 A 12/1994 Harris et al.
 5,415,293 A 5/1995 Ackermann et al.
 5,445,397 A 8/1995 Evans
 5,473,979 A * 12/1995 Ruben A47J 37/0704
 99/446
 5,531,154 A * 7/1996 Perez, III A47J 36/26
 126/25 R
 5,573,698 A 11/1996 Mandler et al.
 5,575,390 A 11/1996 Apps et al.
 5,752,602 A 5/1998 Ackermann et al.
 5,829,616 A 11/1998 Daniel et al.
 5,967,322 A 10/1999 Apps et al.
 6,079,580 A 6/2000 Garton et al.
 6,253,948 B1 7/2001 Ficker
 6,273,291 B1 8/2001 Conti
 6,293,422 B1 9/2001 Jentsch et al.
 6,318,598 B1 11/2001 Schmitt
 6,325,212 B2 12/2001 Przytulla et al.
 D463,948 S * 10/2002 Innes D7/332
 D481,903 S * 11/2003 Hester D7/332
 6,796,430 B2 9/2004 Mercier et al.
 6,874,650 B2 4/2005 Welsh et al.
 6,983,946 B2 1/2006 Sullivan et al.
 7,000,794 B2 2/2006 Soehnlén et al.
 7,249,675 B2 7/2007 Hassell et al.

D550,022 S * 9/2007 Amajuwon D7/332
 7,267,227 B2 9/2007 Dubois et al.
 D574,177 S * 8/2008 Hulsey D7/335
 D576,833 S * 9/2008 Mansell D7/332
 7,451,875 B1 11/2008 Norris
 D583,185 S * 12/2008 Rutter D7/334
 D598,698 S * 8/2009 Lee D7/332
 7,721,891 B2 5/2010 Dubois
 7,819,286 B2 10/2010 Antheil et al.
 7,837,037 B2 11/2010 McTavish et al.
 7,861,705 B2 * 1/2011 Hulsey A47J 37/07
 126/25 A
 8,025,174 B2 9/2011 Martheenal
 D650,215 S * 12/2011 Chung D7/332
 8,474,622 B2 7/2013 Carver, III et al.
 8,561,800 B2 10/2013 Cook et al.
 8,573,399 B2 11/2013 Ulmer et al.
 8,640,487 B2 2/2014 Chapa
 8,882,345 B2 11/2014 Wallace
 D730,673 S 6/2015 Harris et al.
 9,051,167 B2 6/2015 Burge et al.
 D742,156 S 11/2015 Harris et al.
 9,523,067 B2 12/2016 Wallace et al.
 9,546,348 B2 1/2017 Greene, Jr. et al.
 D820,021 S * 6/2018 Henderson D7/332
 D851,980 S * 6/2019 Fitzgerald D7/355
 2004/0195251 A1 10/2004 von Holdt, Jr.
 2006/0186013 A1 8/2006 Hubert
 2006/0278553 A1 12/2006 Diamond
 2007/0295735 A1 12/2007 Futernick
 2009/0308883 A1 12/2009 Blumenschein
 2010/0018994 A1 1/2010 Antheil et al.
 2012/0132558 A1 5/2012 Busch
 2015/0128809 A1 5/2015 Hansmann et al.

FOREIGN PATENT DOCUMENTS

EP 758612 A1 2/1997
 EP 1731433 A1 12/2006
 FR 1464378 A 7/1966
 FR 2355724 A1 1/1978
 GB 2104047 A 3/1983
 GB 2196611 A 5/1988
 GB 2289884 A 12/1995
 GB 2291406 A 1/1996
 GB 2448694 A 10/2008
 NL 9201031 A 1/1994
 WO 2010130012 A1 11/2010
 WO 2016011453 A1 1/2016

* cited by examiner

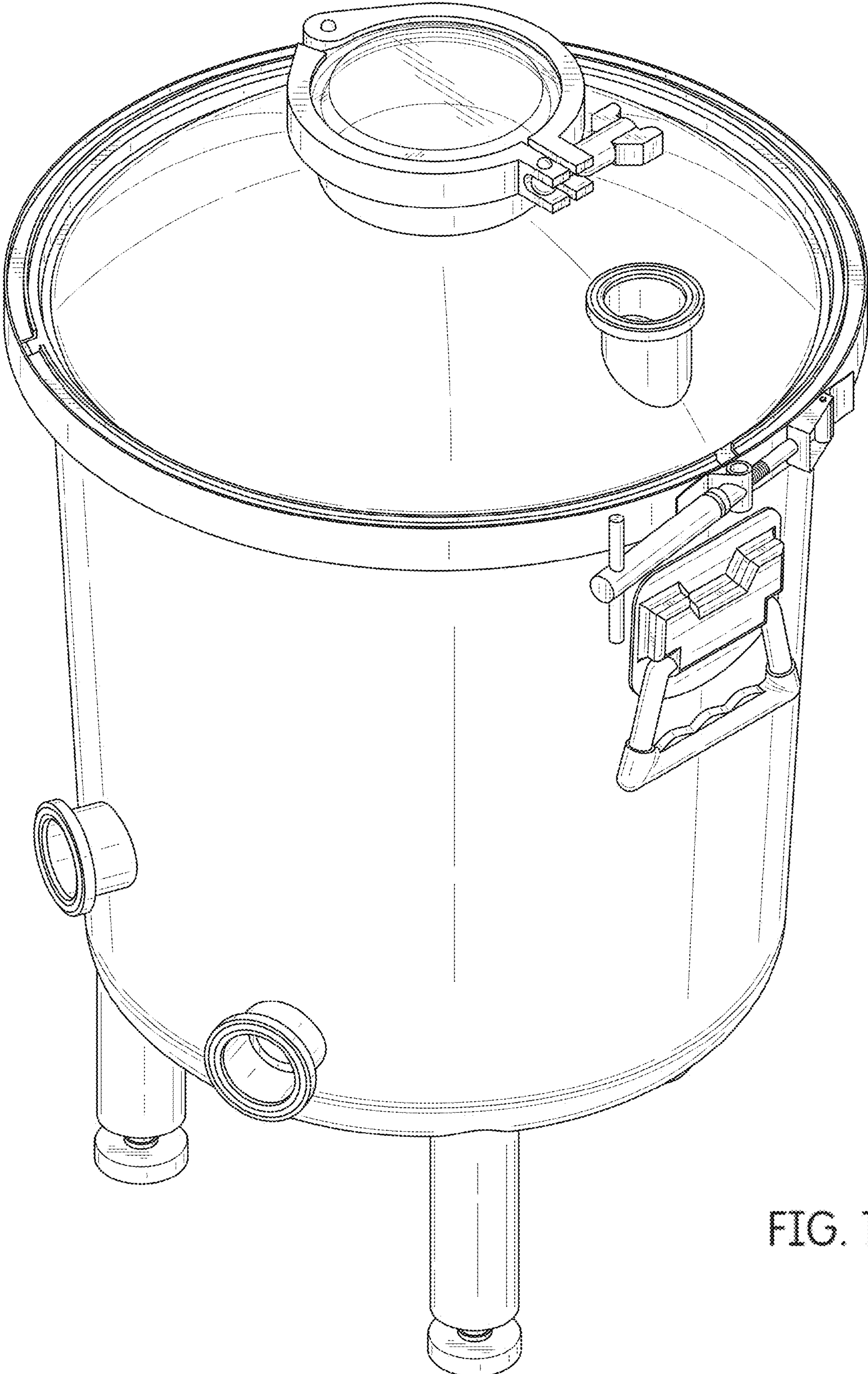


FIG. 1

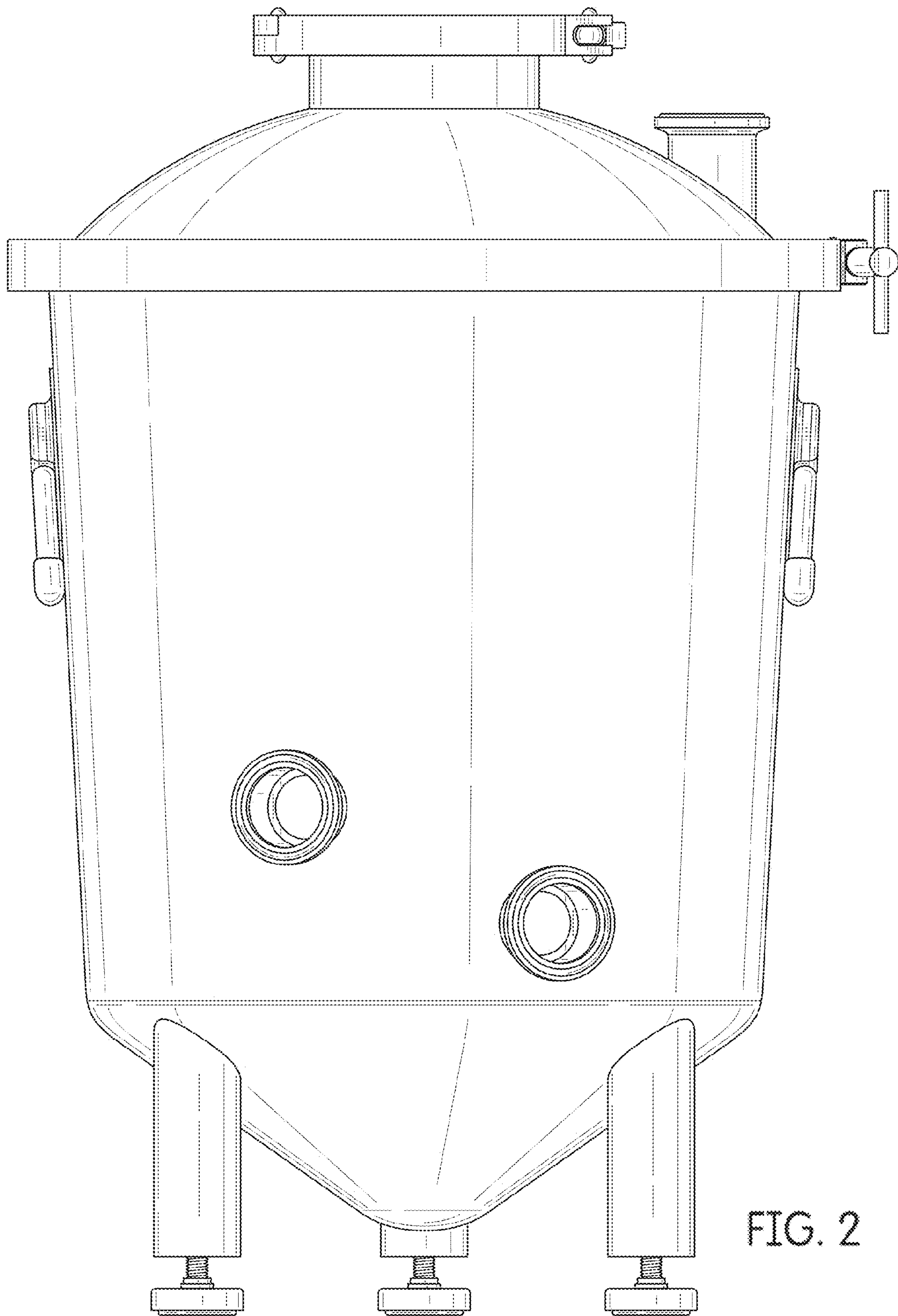


FIG. 2

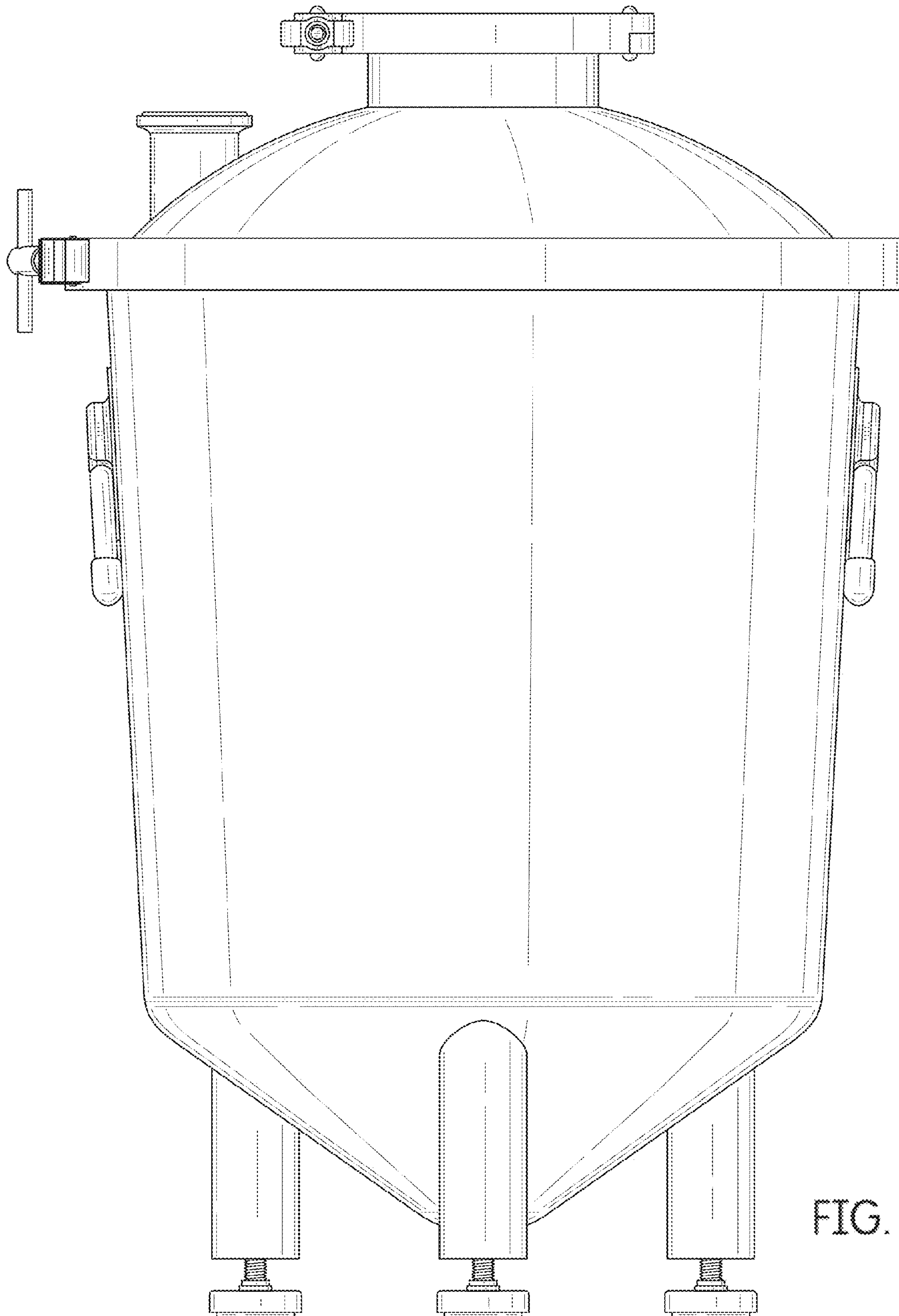


FIG. 3

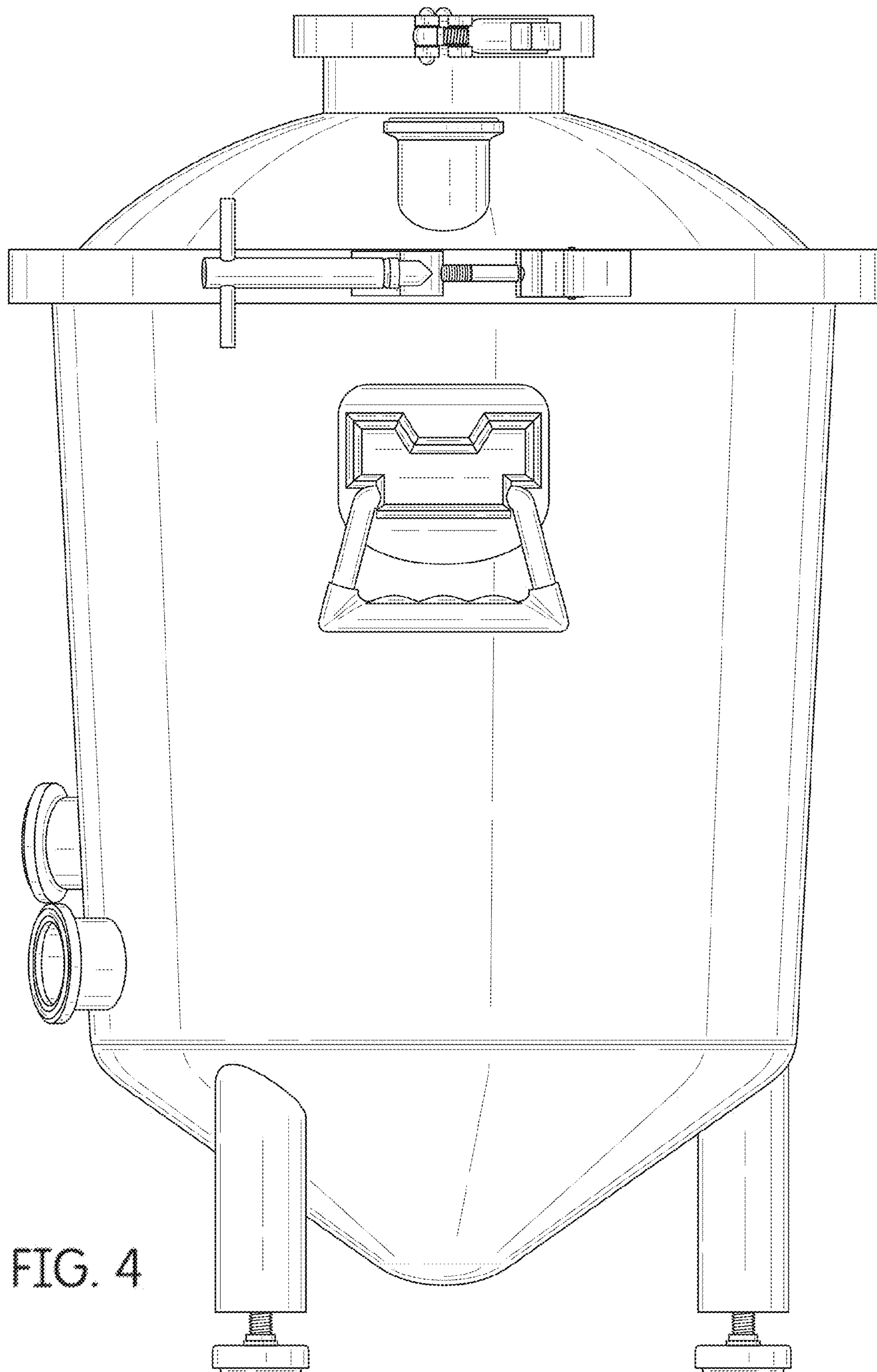


FIG. 4

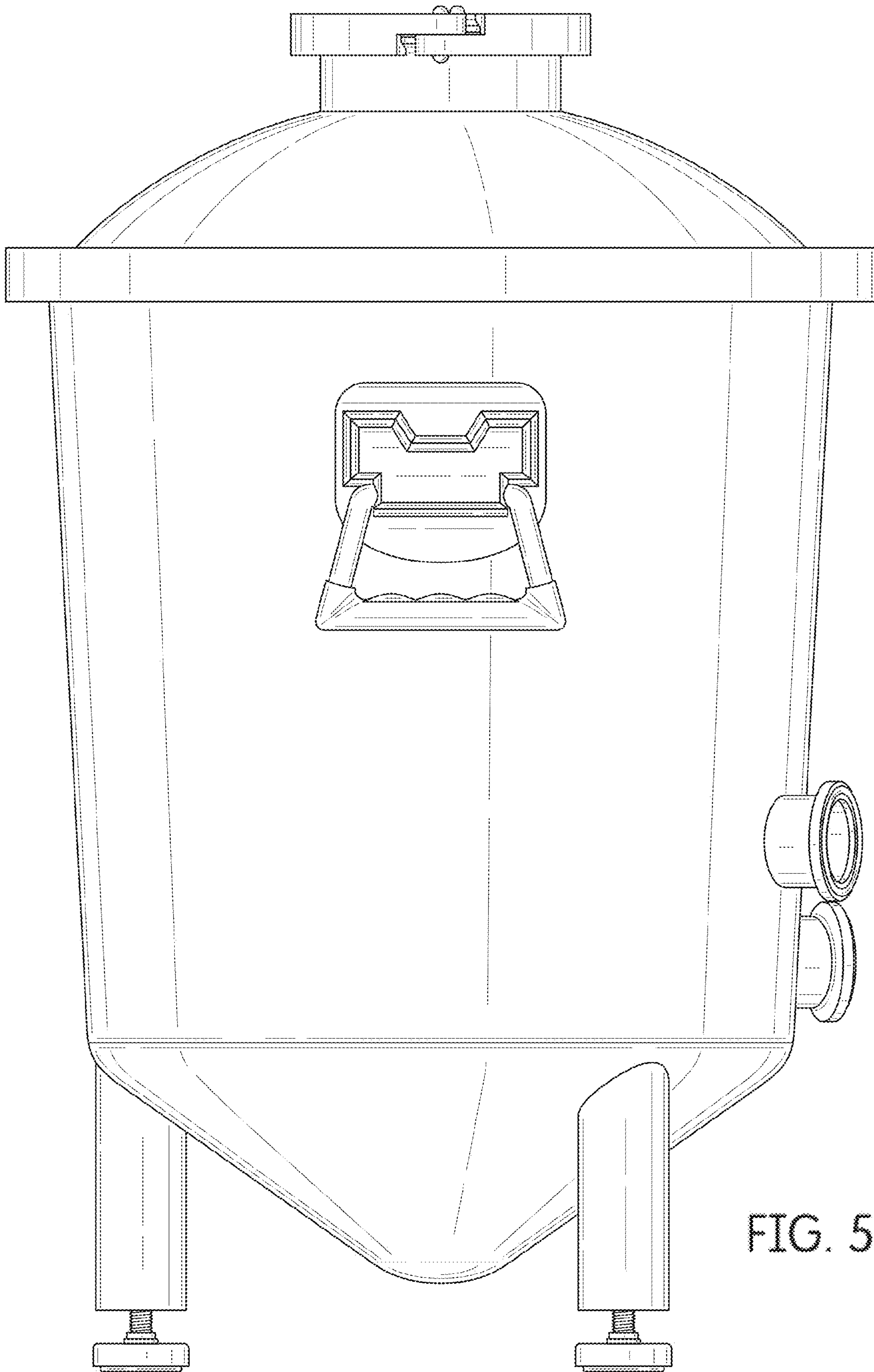


FIG. 5

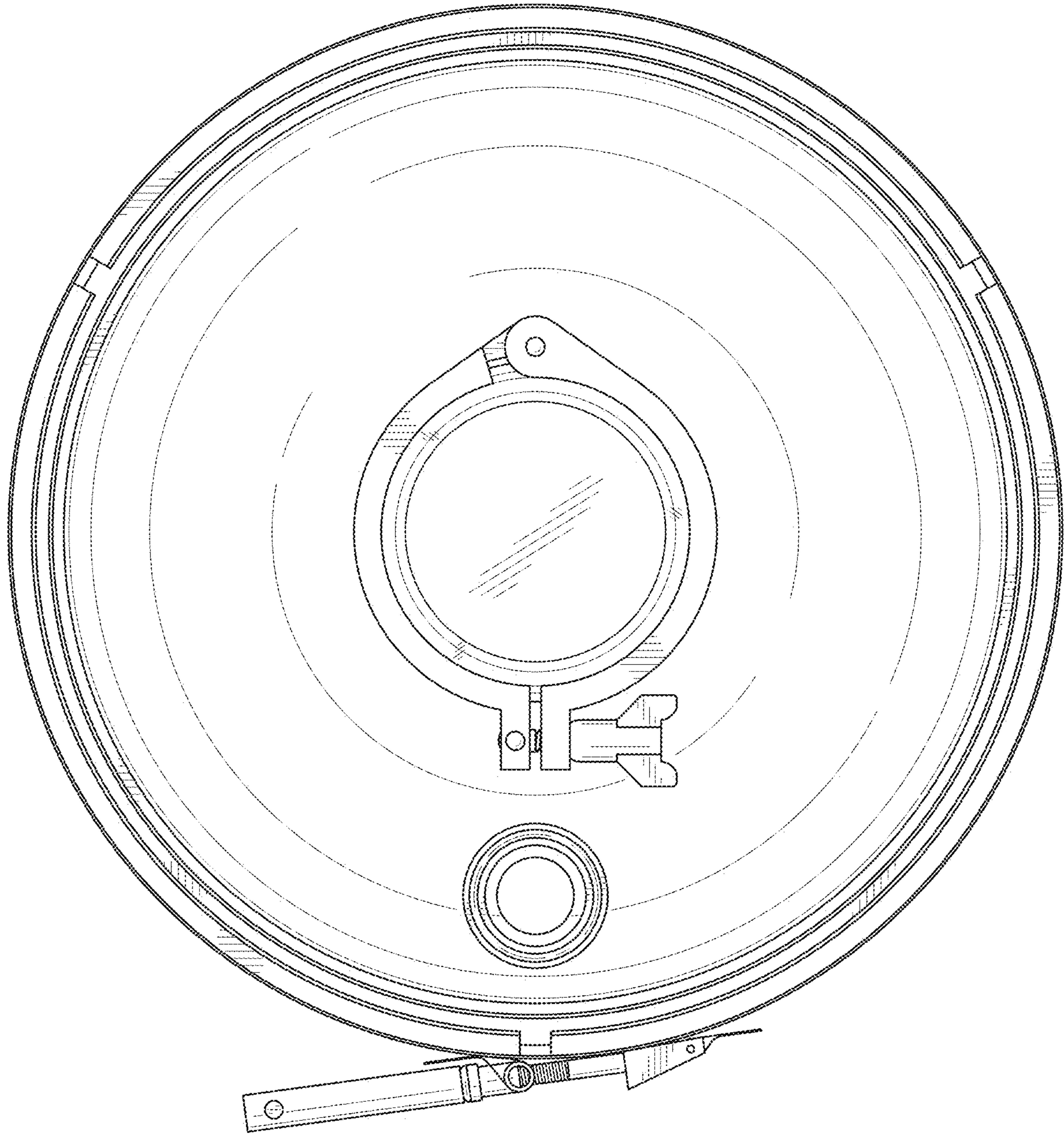


FIG. 6

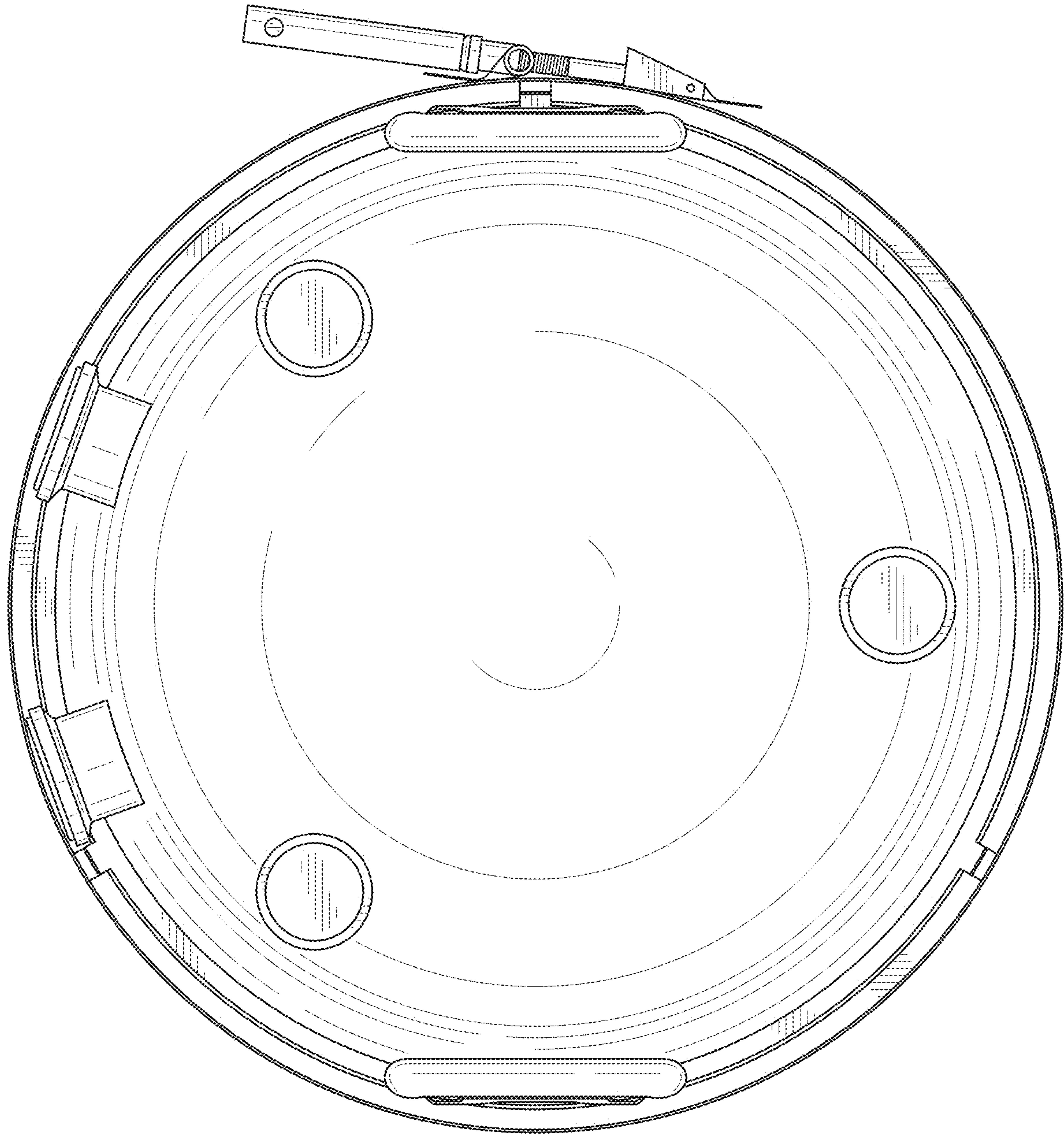


FIG. 7