



US00D930418S

(12) **United States Design Patent**
Blades-Nixon et al.

(10) **Patent No.:** **US D930,418 S**

(45) **Date of Patent:** **** Sep. 14, 2021**

(54) **ARM REST**

(71) Applicant: **TESLA, INC.**, Palo Alto, CA (US)

(72) Inventors: **Peter Blades-Nixon**, Long Beach, CA (US); **Franz von Holzhausen**, Malibu, CA (US)

(73) Assignee: **Tesla, Inc.**, Palo Alto, CA (US)

(**) Term: **15 Years**

(21) Appl. No.: **29/670,454**

(22) Filed: **Nov. 15, 2018**

(51) **LOC (13) Cl.** **06-06**

(52) **U.S. Cl.**
USPC **D6/716.2**

(58) **Field of Classification Search**
USPC D6/362, 366, 368, 376, 379, 380, 700,
D6/716, 716.2, 716.3; D14/239
CPC A47C 1/124; A47C 3/04; A47C 3/045;
A47C 4/02; A47C 4/03; A47C 4/04;
A47C 4/28; A47C 7/00; A47C 7/40;
A47C 7/42; A47C 7/56; A47C 7/54;
B64D 11/00; B60N 2/75

See application file for complete search history.

(56) **References Cited**

U.S. PATENT DOCUMENTS

D296,094 S * 6/1988 Sheek D12/421
D543,737 S * 6/2007 Held D6/716.2

D693,617 S * 11/2013 Koski D6/716.2
D883,863 S * 5/2020 Bodman D12/133
D890,559 S * 7/2020 Grace D6/716.2
2014/0167479 A1 * 6/2014 Sanae A47C 7/54
297/411.38
2017/0021928 A1 * 1/2017 Satterfield B64D 11/0624
2018/0304790 A1 * 10/2018 Patil B60N 2/773

* cited by examiner

Primary Examiner — Kevin K Rudzinski

Assistant Examiner — Paul D Bohannon

(74) *Attorney, Agent, or Firm* — Knobbe, Martens, Olson & Bear, LLP

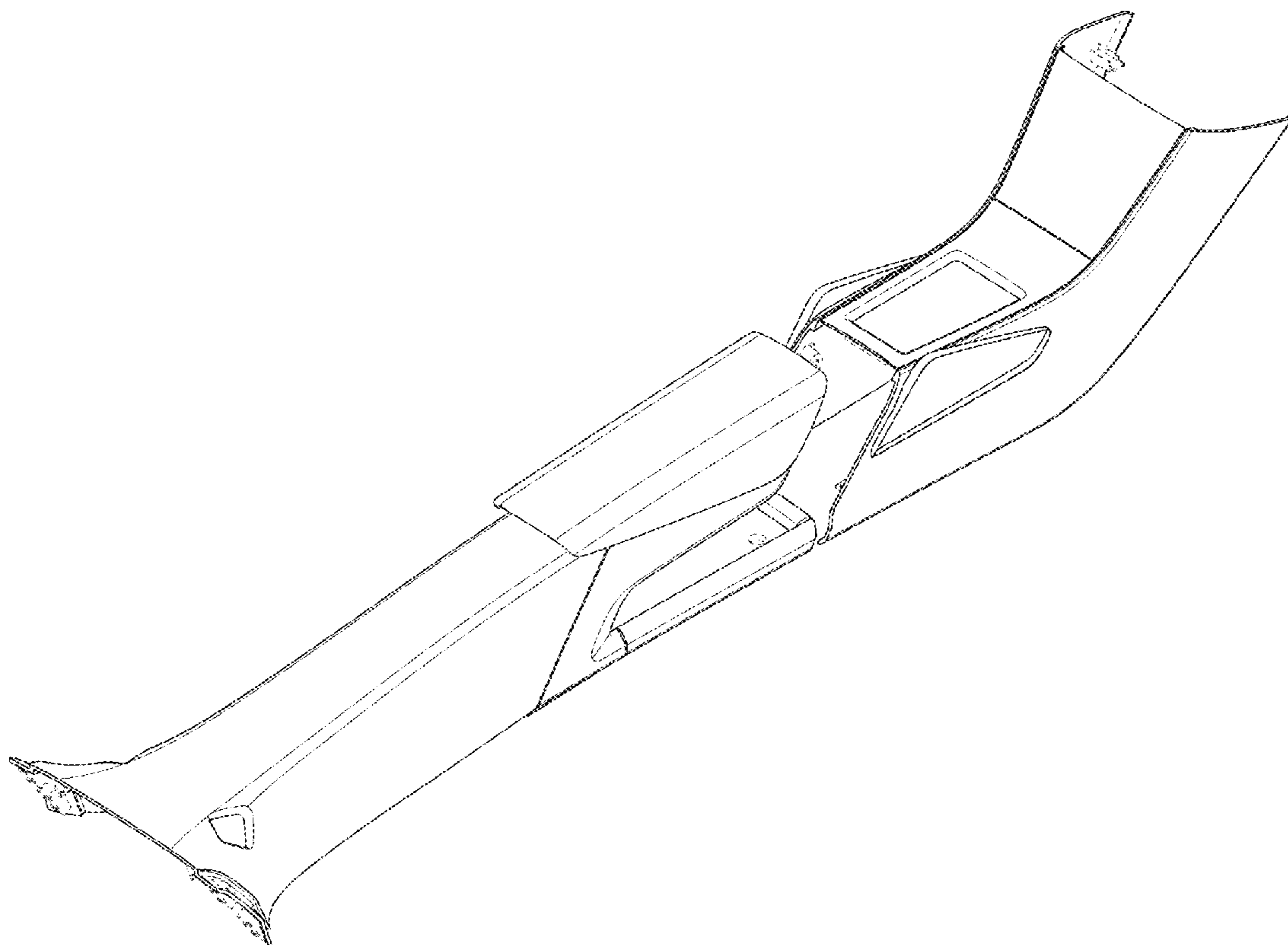
(57) **CLAIM**

The ornamental design for an arm rest, as shown and described.

DESCRIPTION

FIG. 1 is a back view of an arm rest.
FIG. 2 is a bottom view of the arm rest of FIG. 1.
FIG. 3 is a front view of the arm rest of FIG. 1.
FIG. 4 is an isometric view of the arm rest of FIG. 1.
FIG. 5 is a left-side view of the arm rest of FIG. 1.
FIG. 6 is a right-side view of the arm rest of FIG. 1; and,
FIG. 7 is a top view of the arm rest of FIG. 1.
The broken lines shown in the drawings are for the purpose of illustrating portions of the article that form no part of the claimed design.

1 Claim, 7 Drawing Sheets



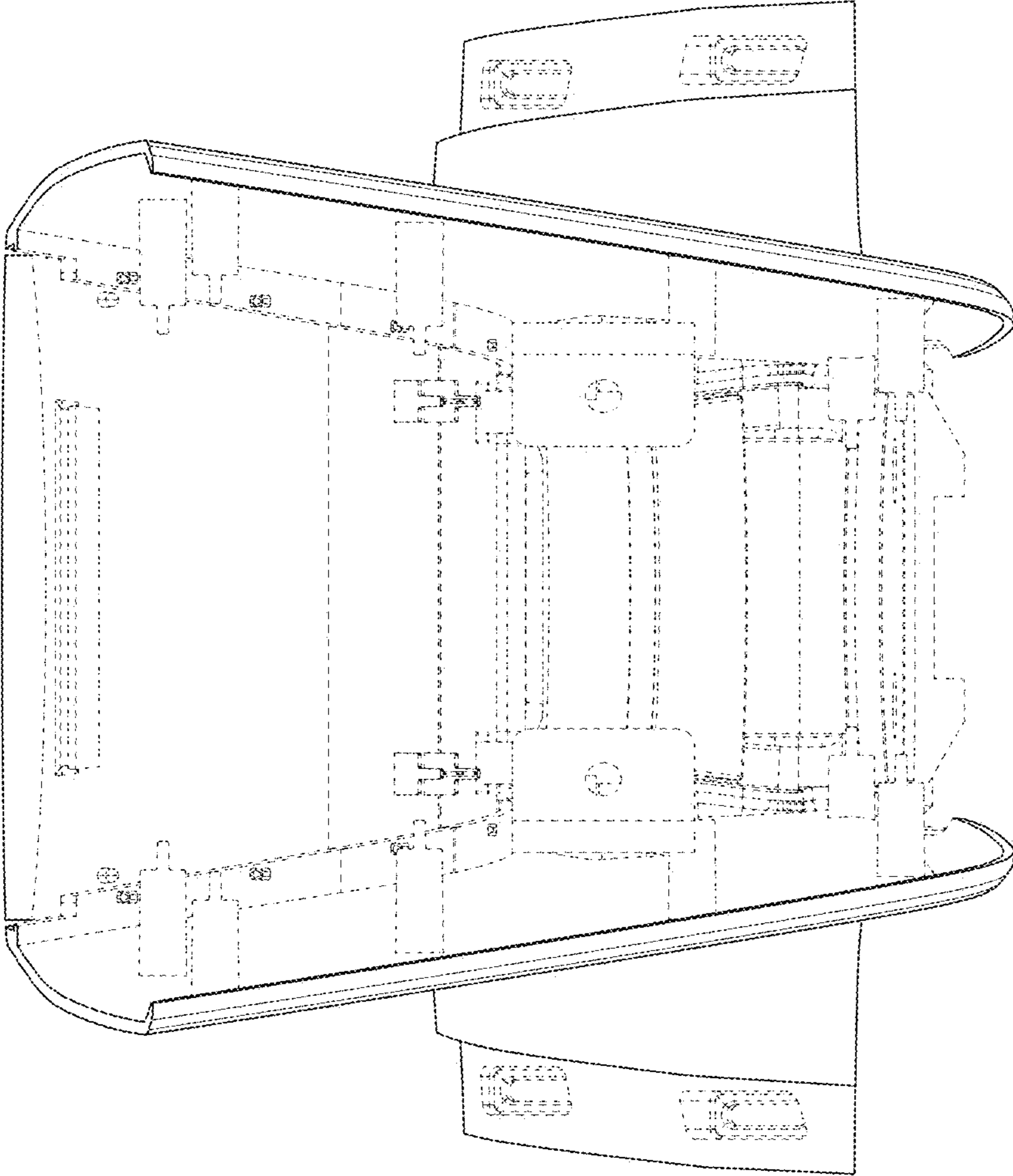


FIG. 1

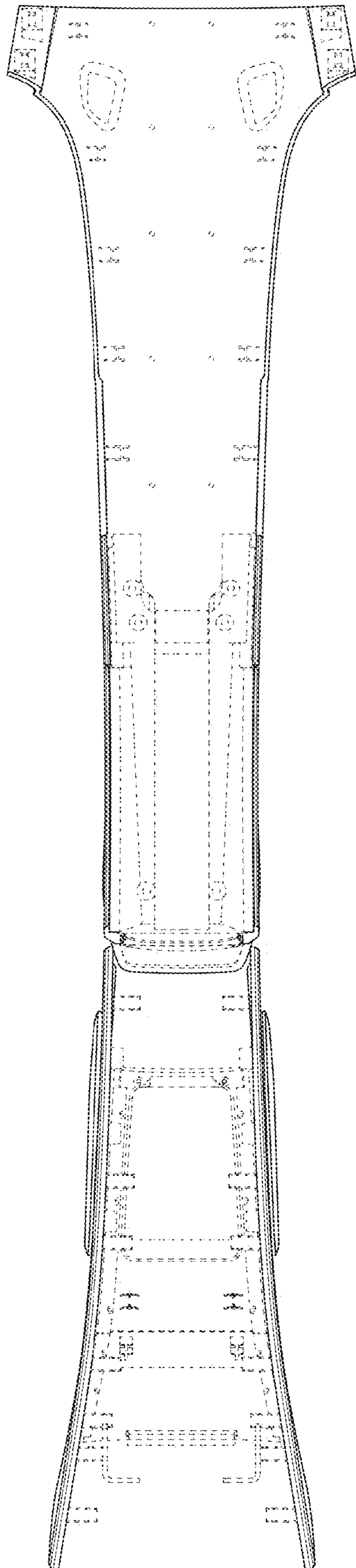


FIG. 2

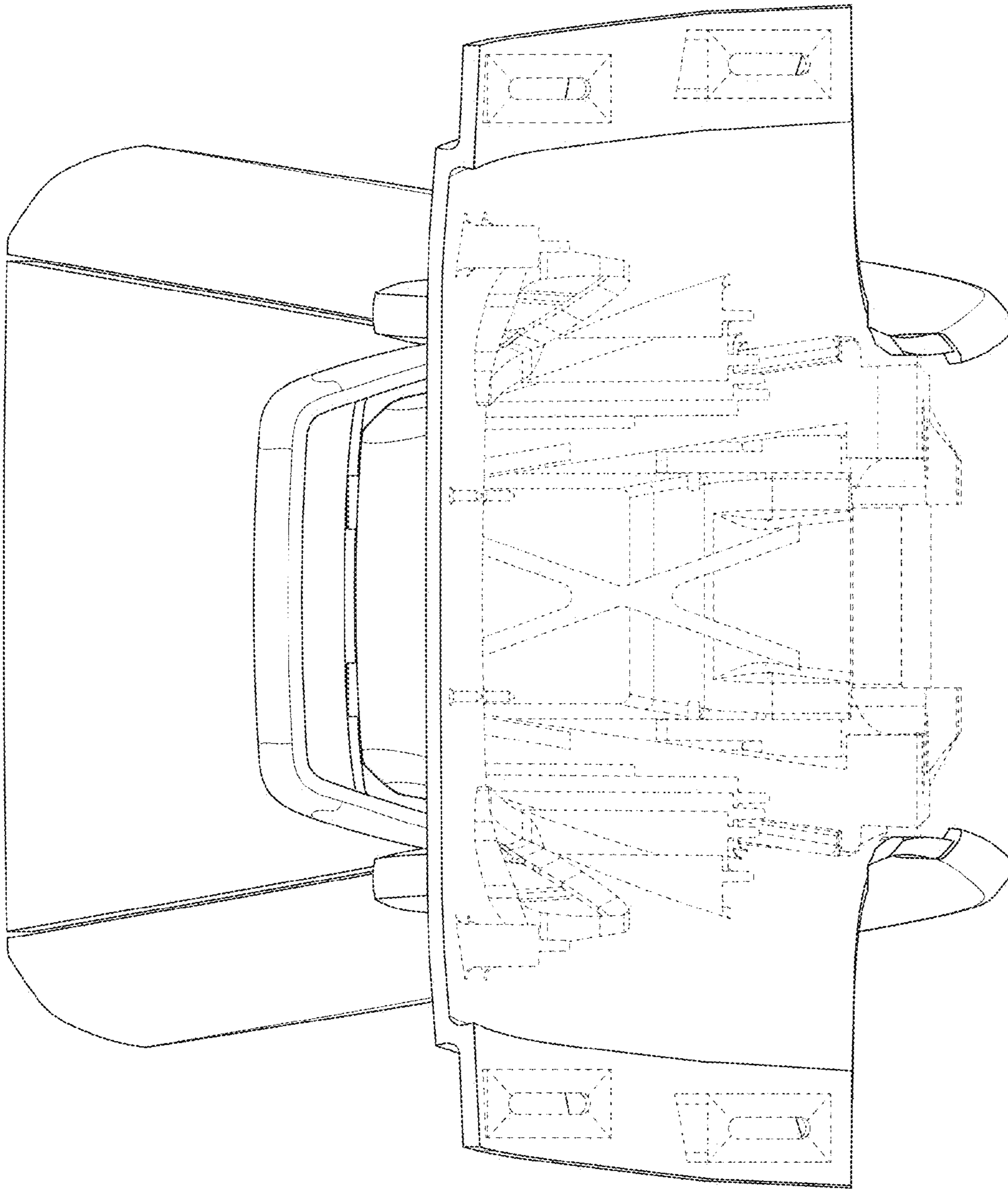


FIG. 3

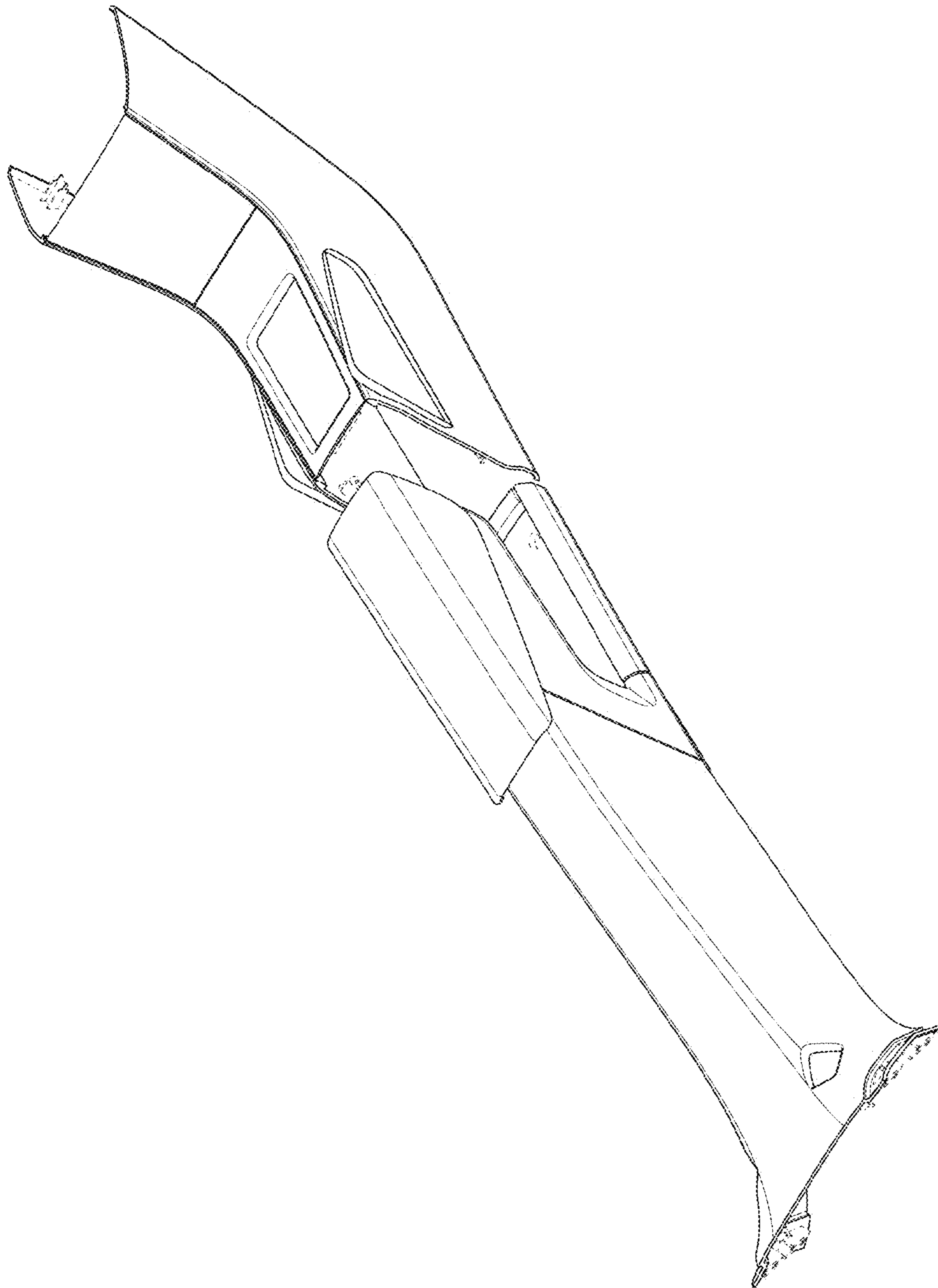


FIG. 4

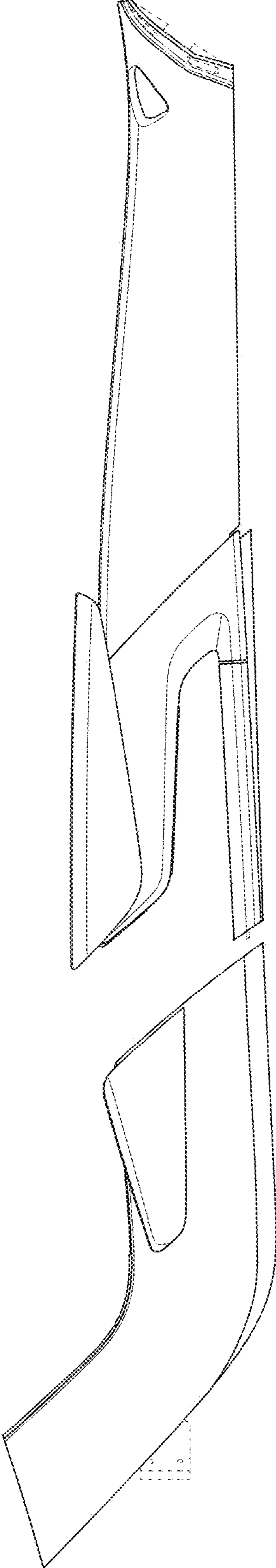


FIG. 5

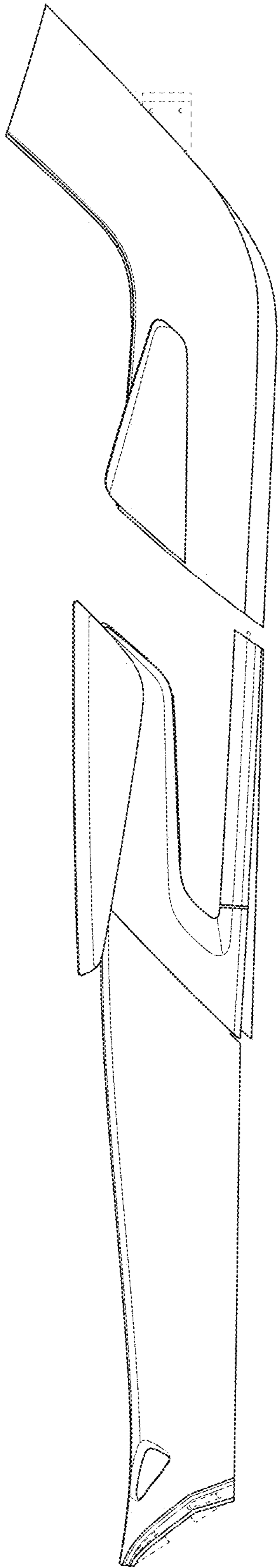


FIG. 6

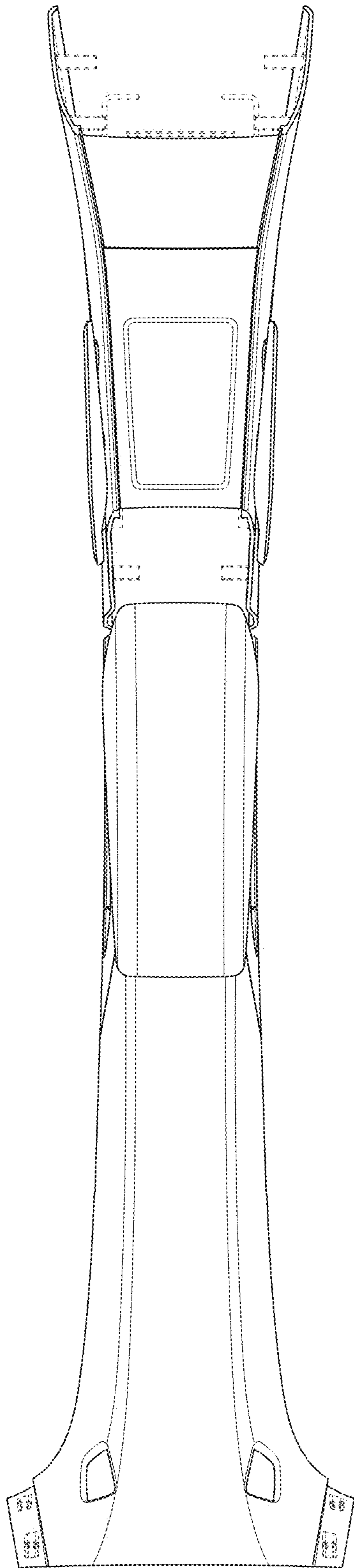


FIG. 7