

US00D930417S

(12) **United States Design Patent** (10) **Patent No.:** **US D930,417 S**
Dowding et al. (45) **Date of Patent:** **** Sep. 14, 2021**

(54) **PRIVACY PANEL**

(71) Applicants: **Terry Edward Dowding**, Fourt
Lauderdale, FL (US); **Clay Rice**, Fourt
Lauderdale, FL (US)

(72) Inventors: **Terry Edward Dowding**, Fourt
Lauderdale, FL (US); **Clay Rice**, Fourt
Lauderdale, FL (US)

(**) Term: **15 Years**

(21) Appl. No.: **29/740,952**

(22) Filed: **Jul. 8, 2020**

(51) **LOC (13) Cl.** **06-06**

(52) **U.S. Cl.**
USPC **D6/714**

(58) **Field of Classification Search**
USPC D6/329, 332, 643, 643.1, 702, 705,
D6/705.4, 705.5, 706, 713, 714; D20/42;
D25/138; D29/122
CPC A47B 13/00; A47B 17/00; A47B 21/00;
A47B 2200/0084; A47B 2200/12; A47F
11/02; A47G 5/00; E04B 2/74; E04B
2/7416; E04B 2002/7418
See application file for complete search history.

(56) **References Cited**

U.S. PATENT DOCUMENTS

D279,151 S *	6/1985	Weiller	D6/706
5,125,202 A	6/1992	Kissinger		
5,309,686 A	5/1994	Underwood		
5,490,357 A *	2/1996	Lin	E04B 2/7416 52/220.7
D369,682 S *	5/1996	Spielvogel	D6/332

(Continued)

OTHER PUBLICATIONS

Cubicle Wall & Panel Extenders, Translucent Polycarbonate, not

opaque and aluminum frame—OBX, p. 3 <https://www.panelextenders.com/products/cubicle-wall-and-panel-extenders/> retrieved from the internet on Oct. 6, 2020.*

(Continued)

Primary Examiner — Mary Ann Calabrese
(74) *Attorney, Agent, or Firm* — Buche & Associates,
P.C.; John K. Buche; Bryce A. Johnson

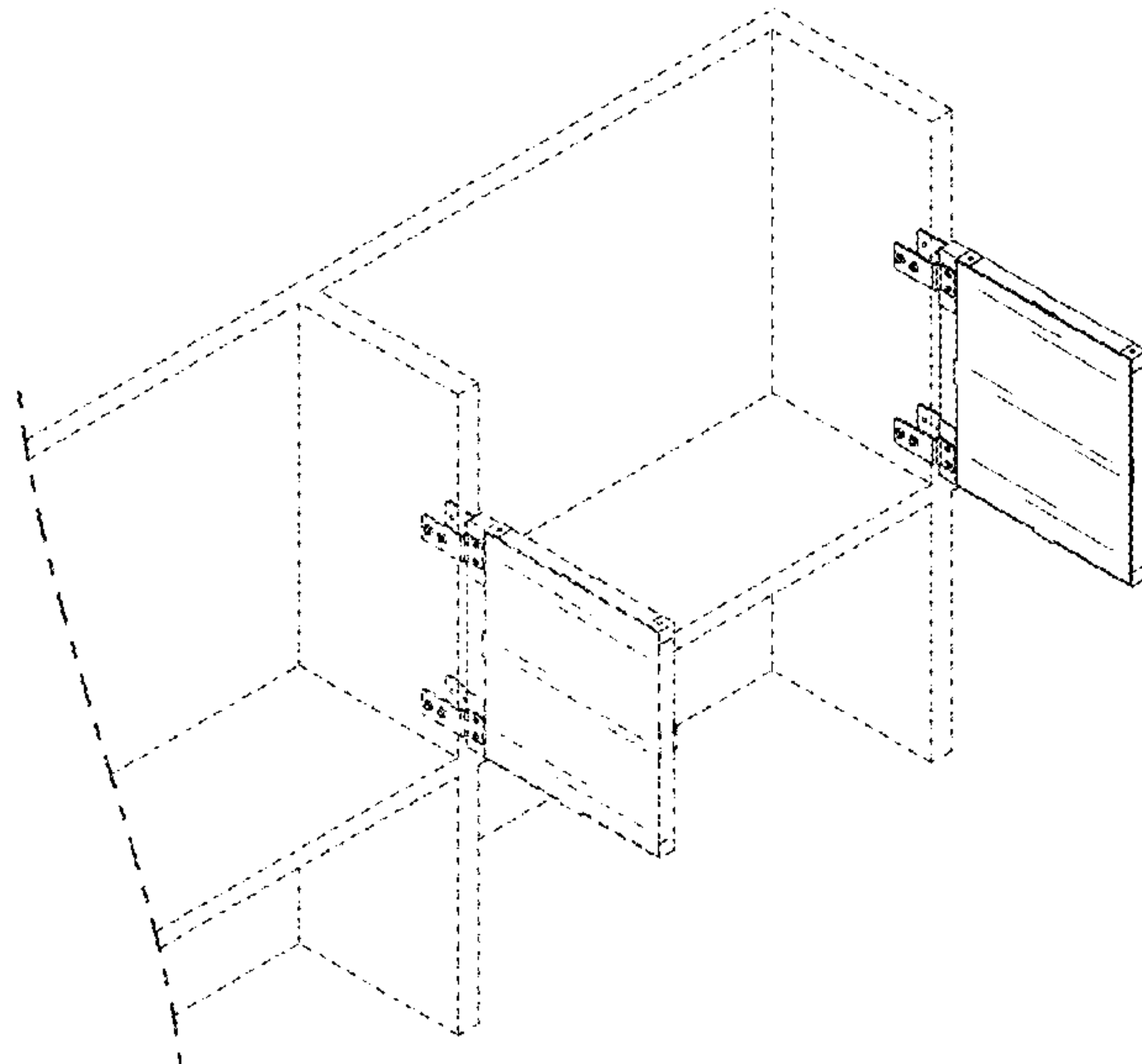
(57) **CLAIM**

We claim the ornamental design for a privacy panel, as shown and described.

DESCRIPTION

FIG. 1 is an environmental view of a privacy panel, shown in an environment of use;
FIG. 2 is a perspective view of the privacy panel;
FIG. 3 is a side view of the privacy panel;
FIG. 4 is a back view of the privacy panel;
FIG. 5 is a front view of the privacy panel;
FIG. 6 is a bottom view of the privacy panel;
FIG. 7 is a top view of the privacy panel;
FIG. 8 is an environmental view of an alternate embodiment of a privacy panel, shown in an environment of use;
FIG. 9 is a perspective view of the alternate embodiment of the privacy panel;
FIG. 10 is a side view of the alternate embodiment of the privacy panel;
FIG. 11 is a back view of the alternate embodiment of the privacy panel;
FIG. 12 is a front view of the alternate embodiment of the privacy panel;
FIG. 13 is a bottom view of the alternate embodiment of the privacy panel; and,
FIG. 14 is a top view of the alternate embodiment of the privacy panel.
The broken lines showing office furniture in FIGS. 1 and 8 illustrate environment and form no part of the claimed design. All other broken lines illustrate portions of the privacy panel that form no part of the claimed design.

1 Claim, 10 Drawing Sheets



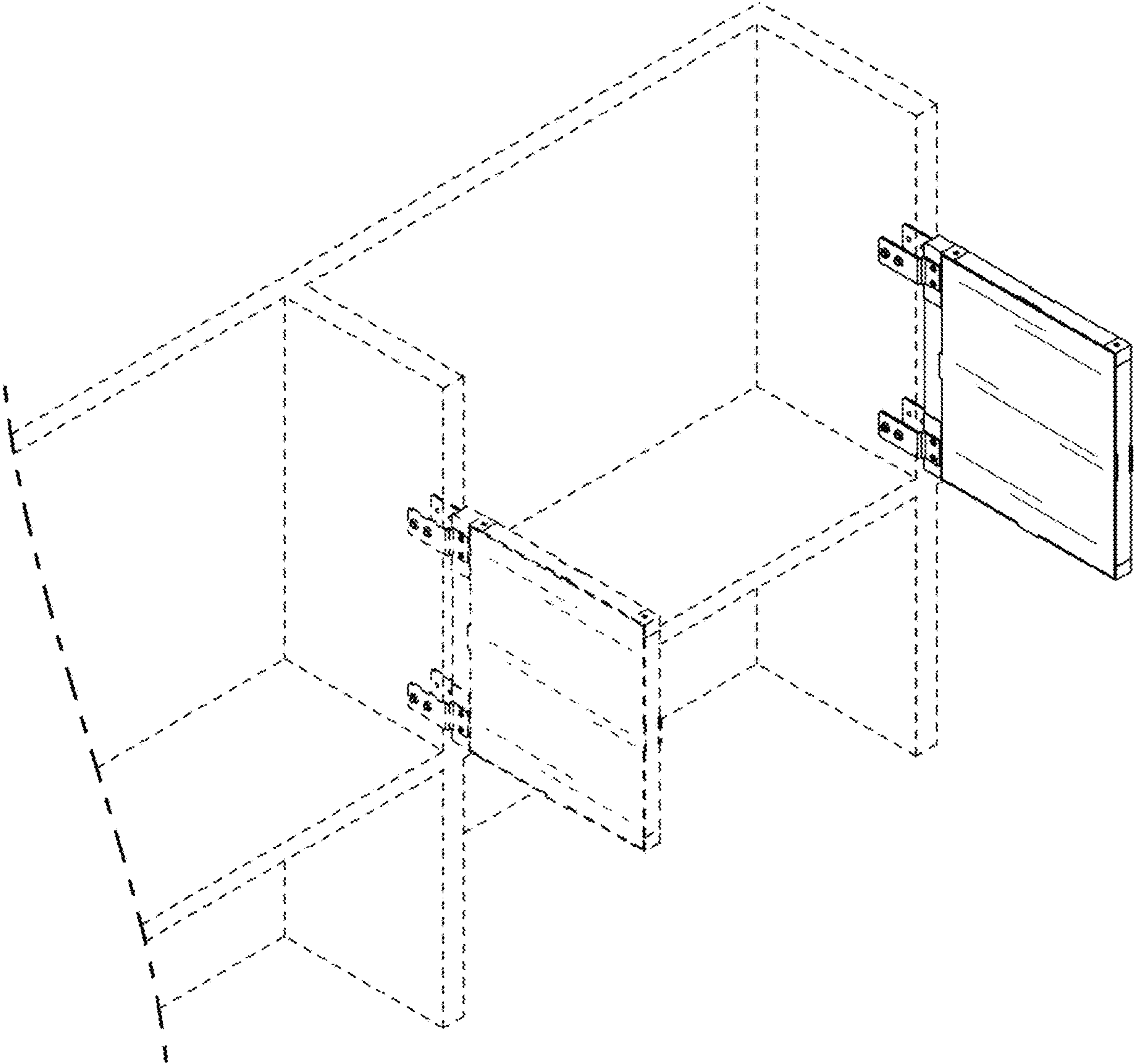


FIG. 1

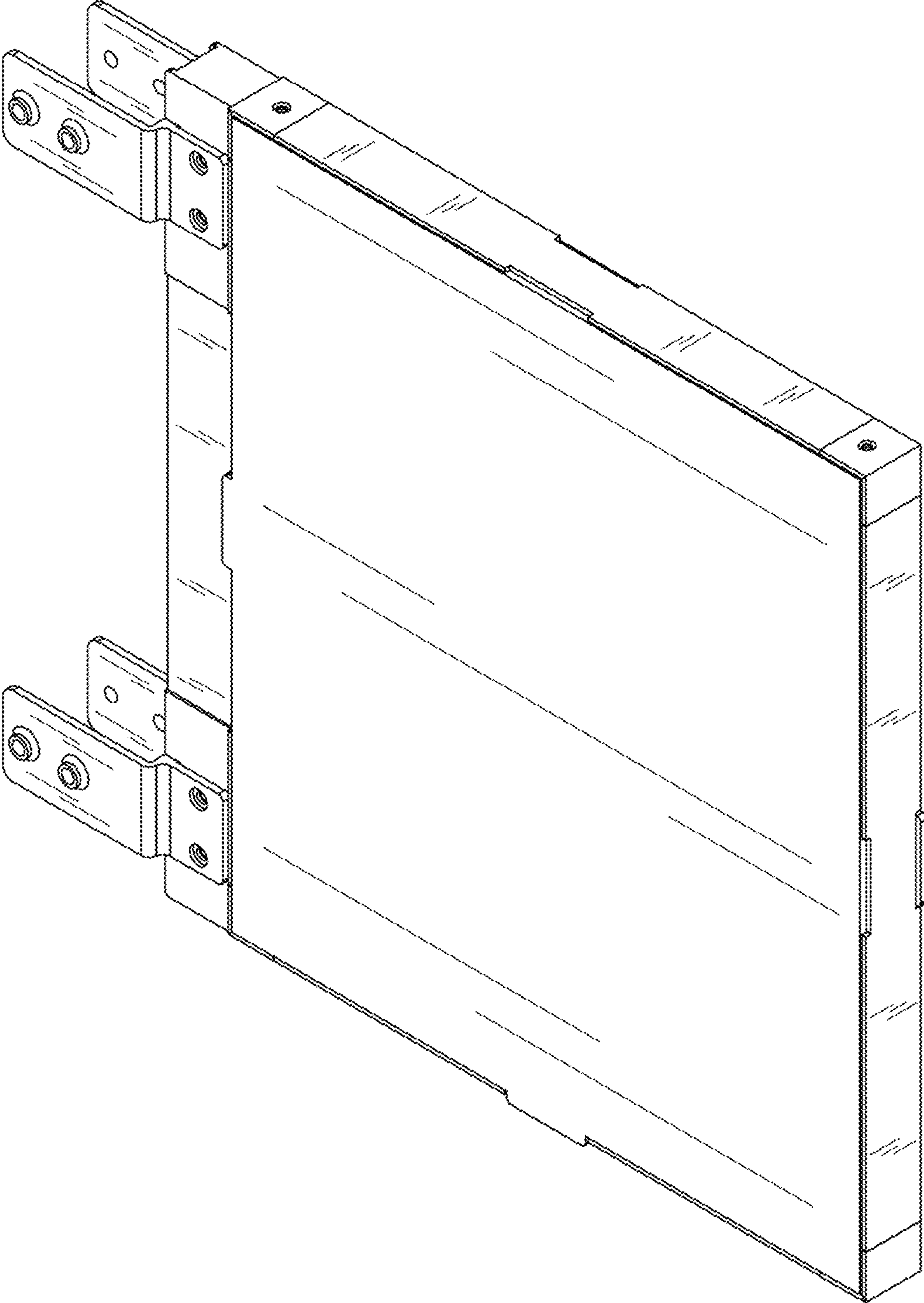


FIG. 2

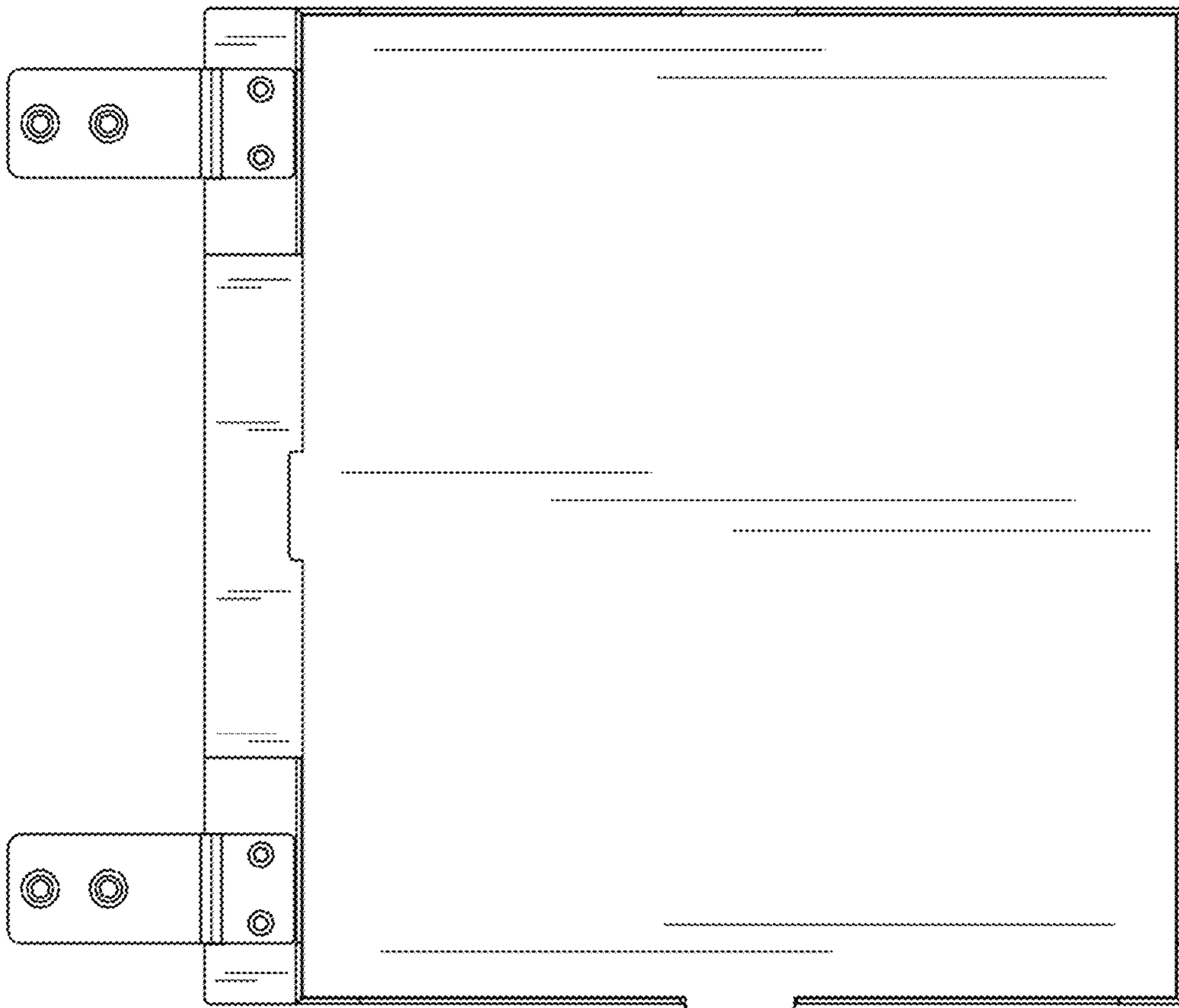


FIG. 3

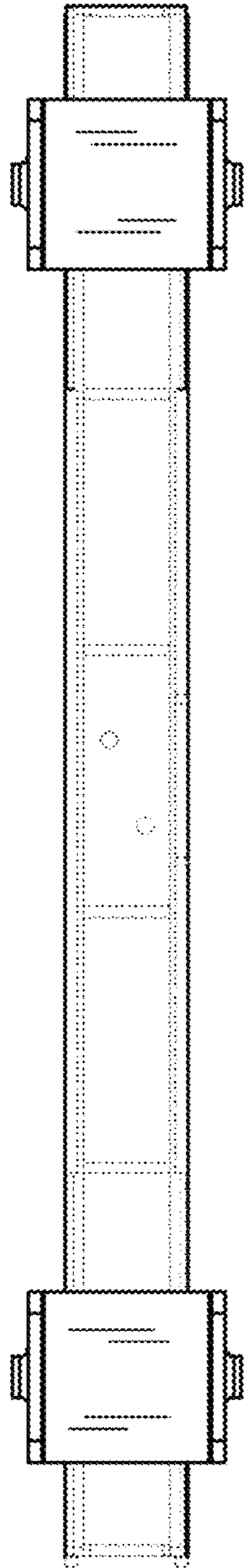


FIG. 4

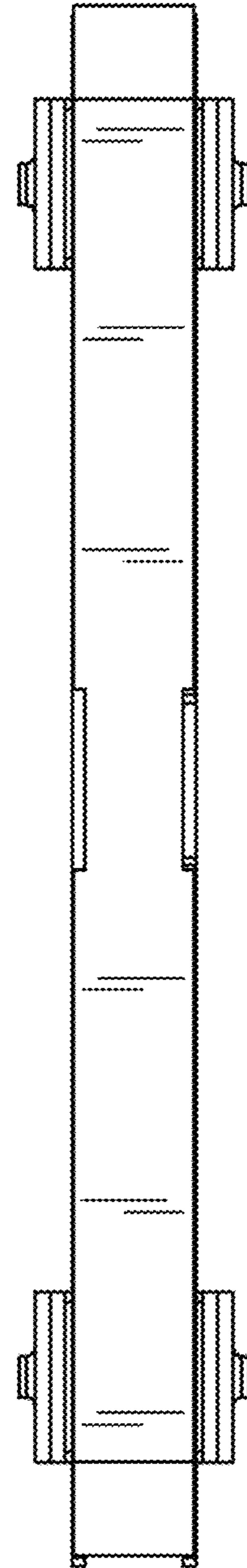


FIG. 5

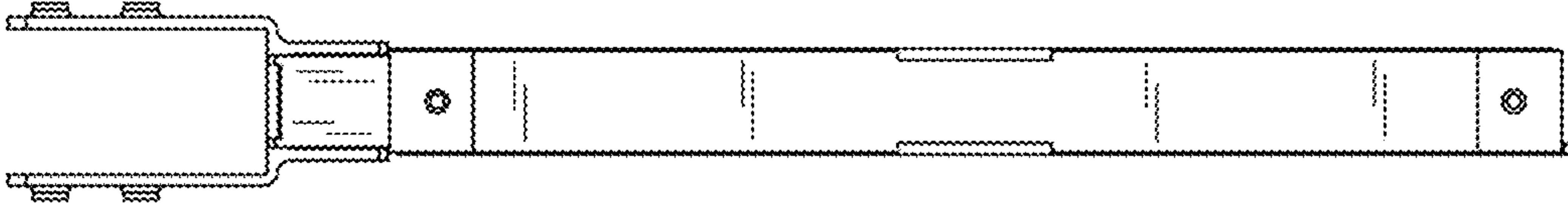


FIG. 6

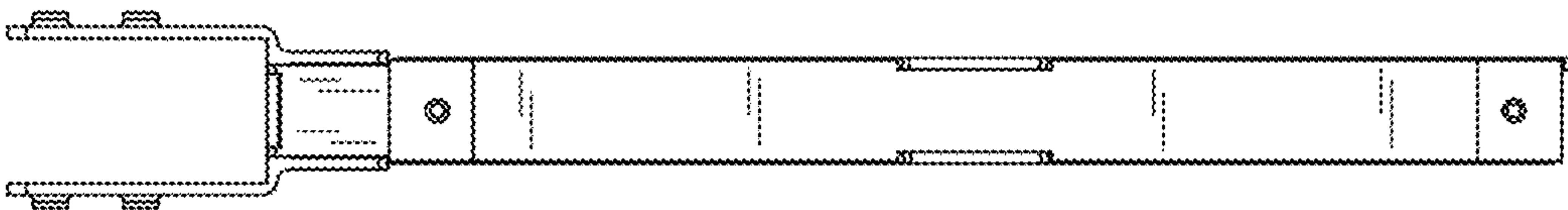


FIG. 7

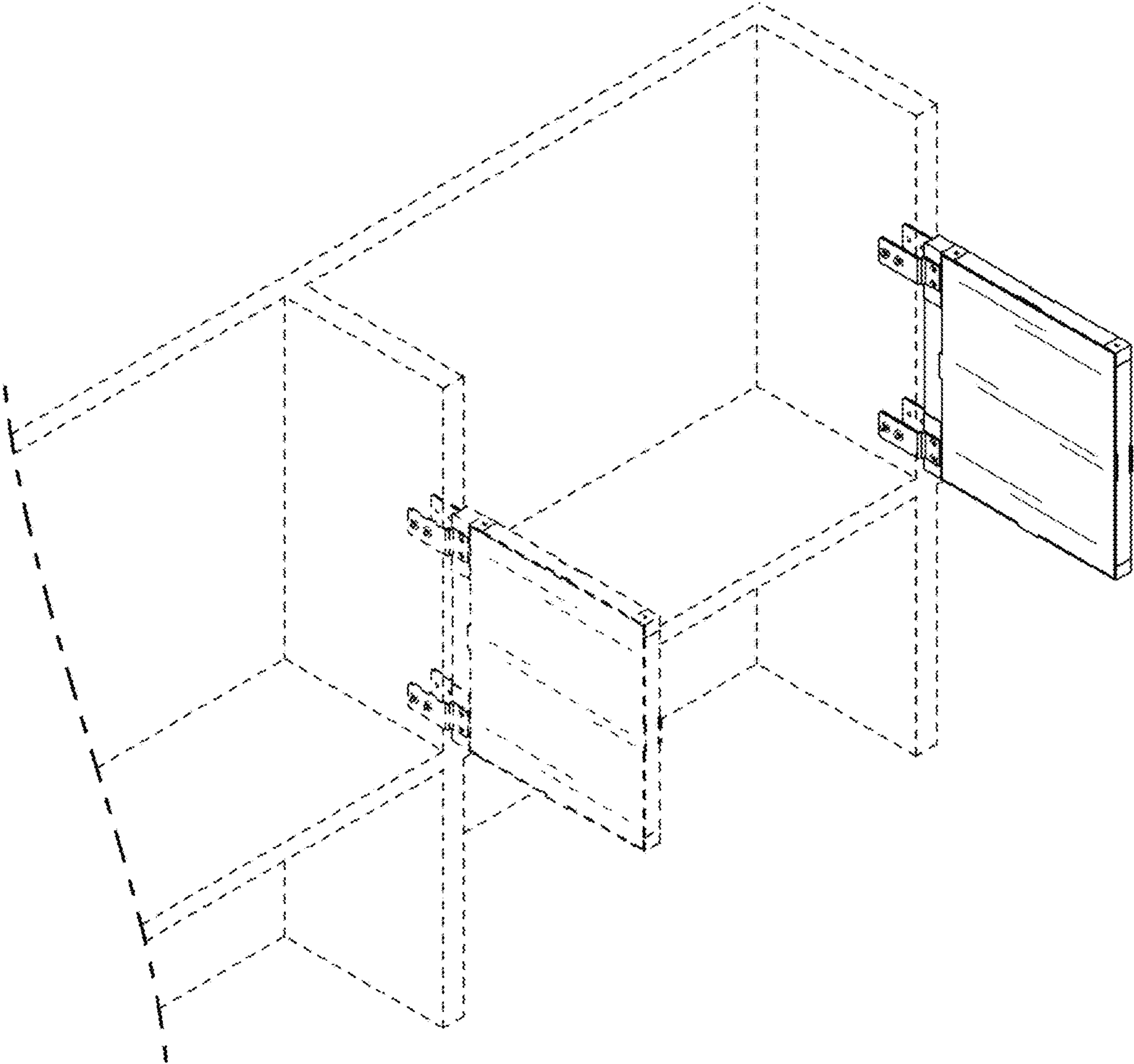


FIG. 8

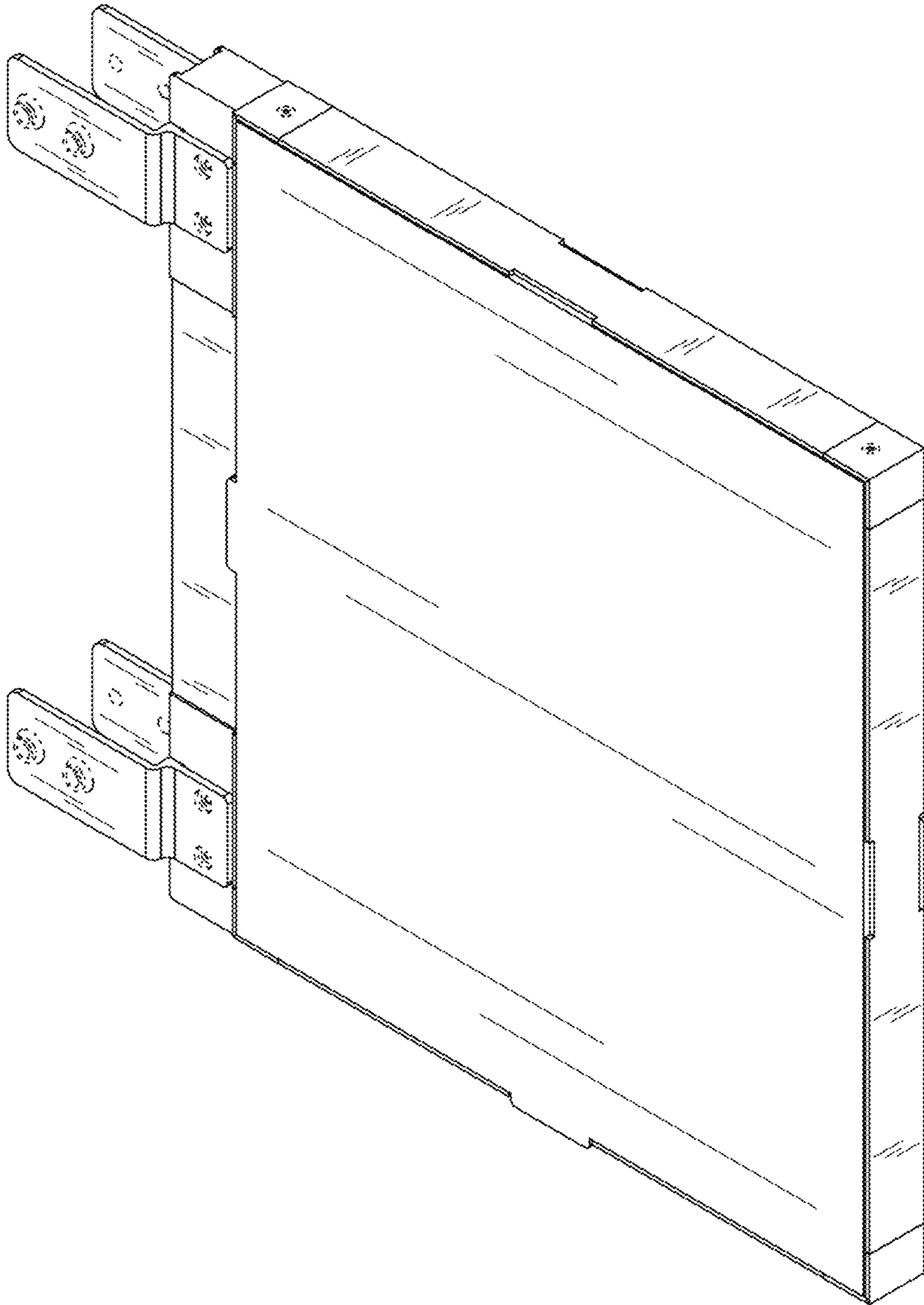


FIG. 9

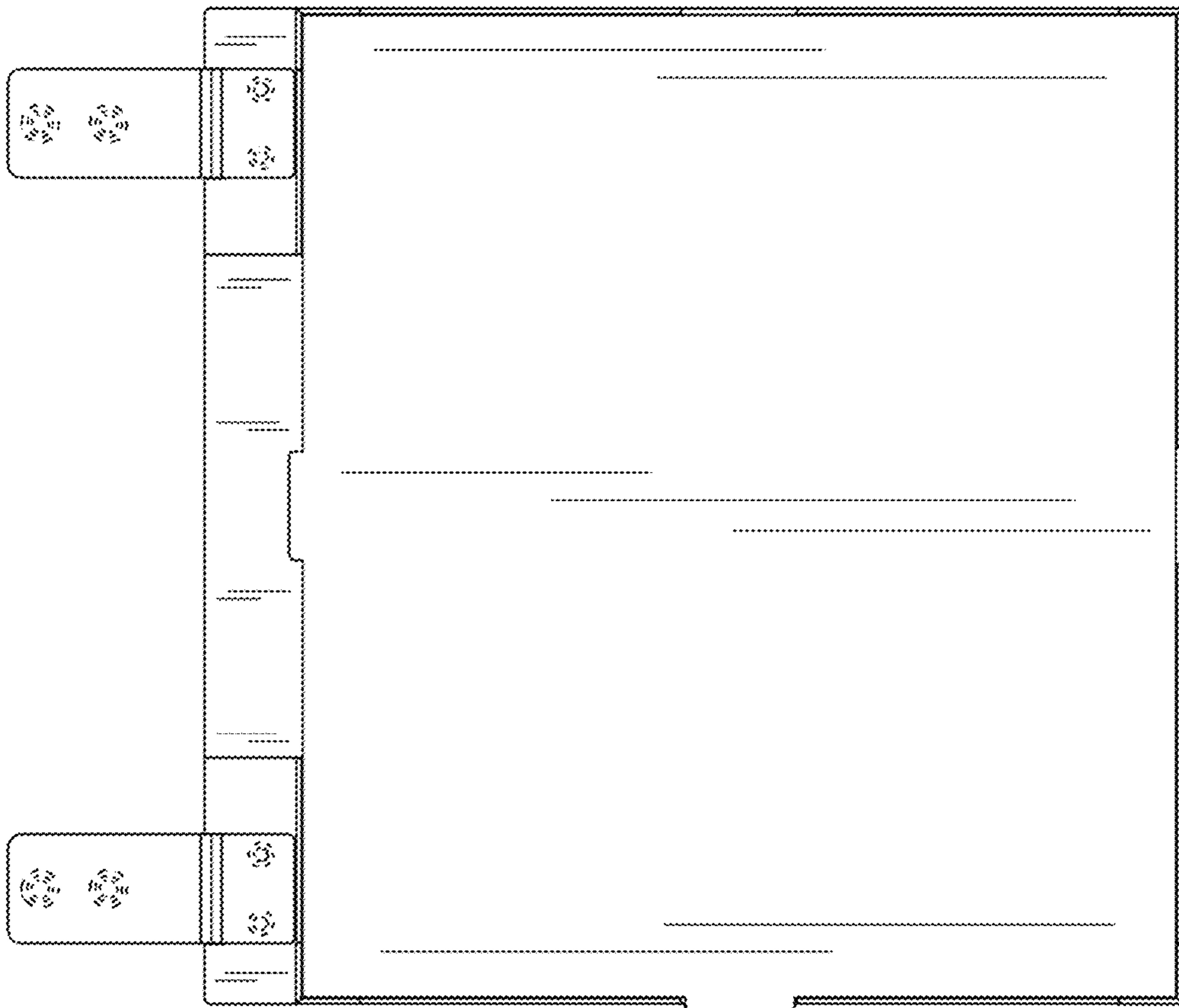


FIG. 10

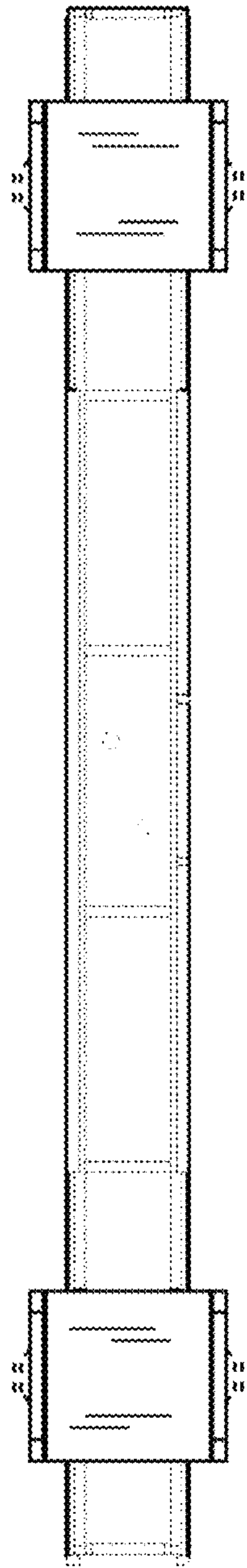


FIG. 11

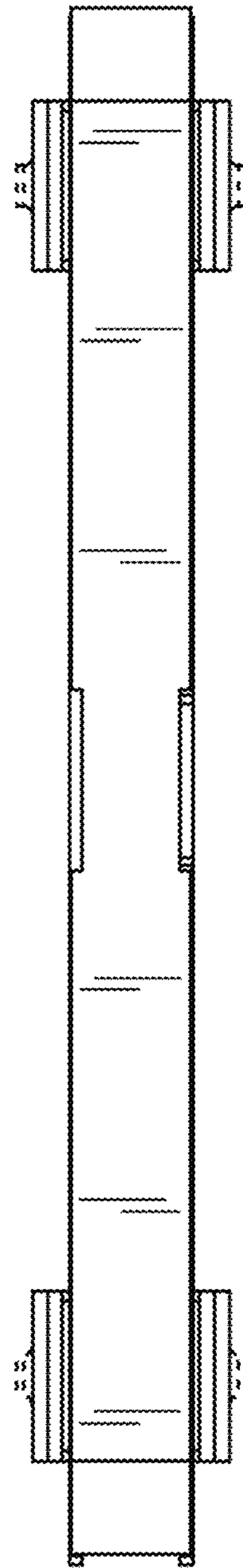


FIG. 12

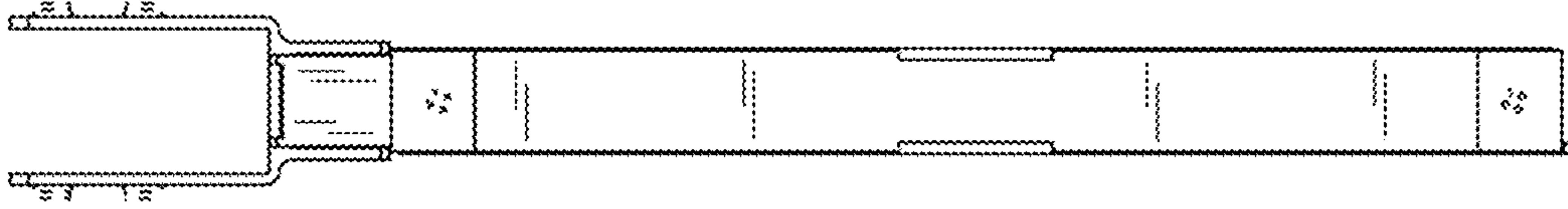


FIG. 13

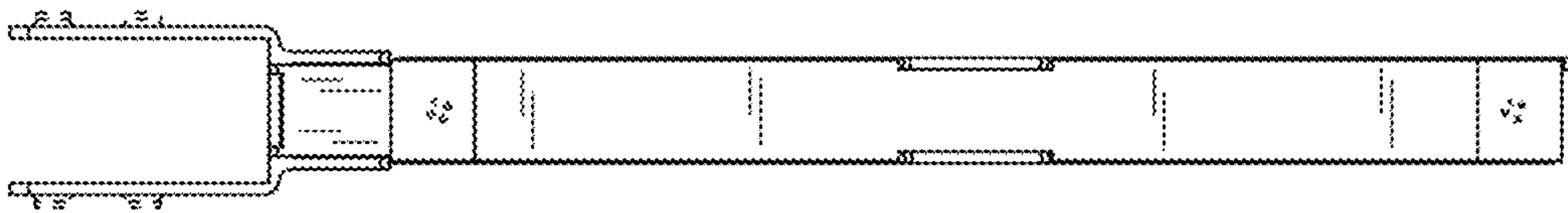


FIG. 14