



US00D930416S

(12) **United States Design Patent**  
**Shan et al.**

(10) **Patent No.:** **US D930,416 S**

(45) **Date of Patent:** **\*\* Sep. 14, 2021**

(54) **SUPPORT COMPONENT FOR FURNITURE**

(71) Applicant: **Keeson Technology Corporation Limited, Zhejiang (CN)**

(72) Inventors: **Huafeng Shan, Zhejiang (CN); Qunliang Huai, Zhejiang (CN); Chenhua Zhou, Zhejiang (CN); Xingyun Wang, Zhejiang (CN)**

(73) Assignee: **Keeson Technology Corporation Limited, Jiaxing (CN)**

(\*\*) Term: **15 Years**

(21) Appl. No.: **29/704,441**

(22) Filed: **Sep. 5, 2019**

(30) **Foreign Application Priority Data**

Mar. 6, 2019 (CN) ..... 201930089089.7

(51) **LOC (13) Cl.** ..... **06-06**

(52) **U.S. Cl.**  
USPC ..... **D6/709**

(58) **Field of Classification Search**  
USPC ..... D6/334, 382, 685, 691, 692, 702, 708, D6/709, 709.2, 709.21, 710  
CPC ..... A47B 12/00; A47B 91/00; A47B 91/0027; A47B 91/005; A47B 91/02; A47B 2200/002; A47B 2200/005  
See application file for complete search history.

(56) **References Cited**

U.S. PATENT DOCUMENTS

D665,248 S \* 8/2012 Vu ..... D8/402  
D723,847 S \* 3/2015 Putnam ..... D6/709

D736,607 S \* 8/2015 Sheldon ..... A47B 91/00 D8/374  
D766,636 S \* 9/2016 Putnam ..... A47B 13/003 D6/709  
D793,786 S \* 8/2017 Rawls-Meehan ..... B05D 7/56 D6/709  
10,912,669 B2 \* 2/2021 Shan ..... A61B 5/6891  
2009/0160301 A1 \* 6/2009 Facis ..... A47B 91/00 312/351.1  
2013/0344303 A1 \* 12/2013 Randall ..... B05D 7/56 428/201  
2016/0003276 A1 \* 1/2016 Moller Hansen .... A47B 13/003 403/116

\* cited by examiner

*Primary Examiner* — Mary Ann Calabrese

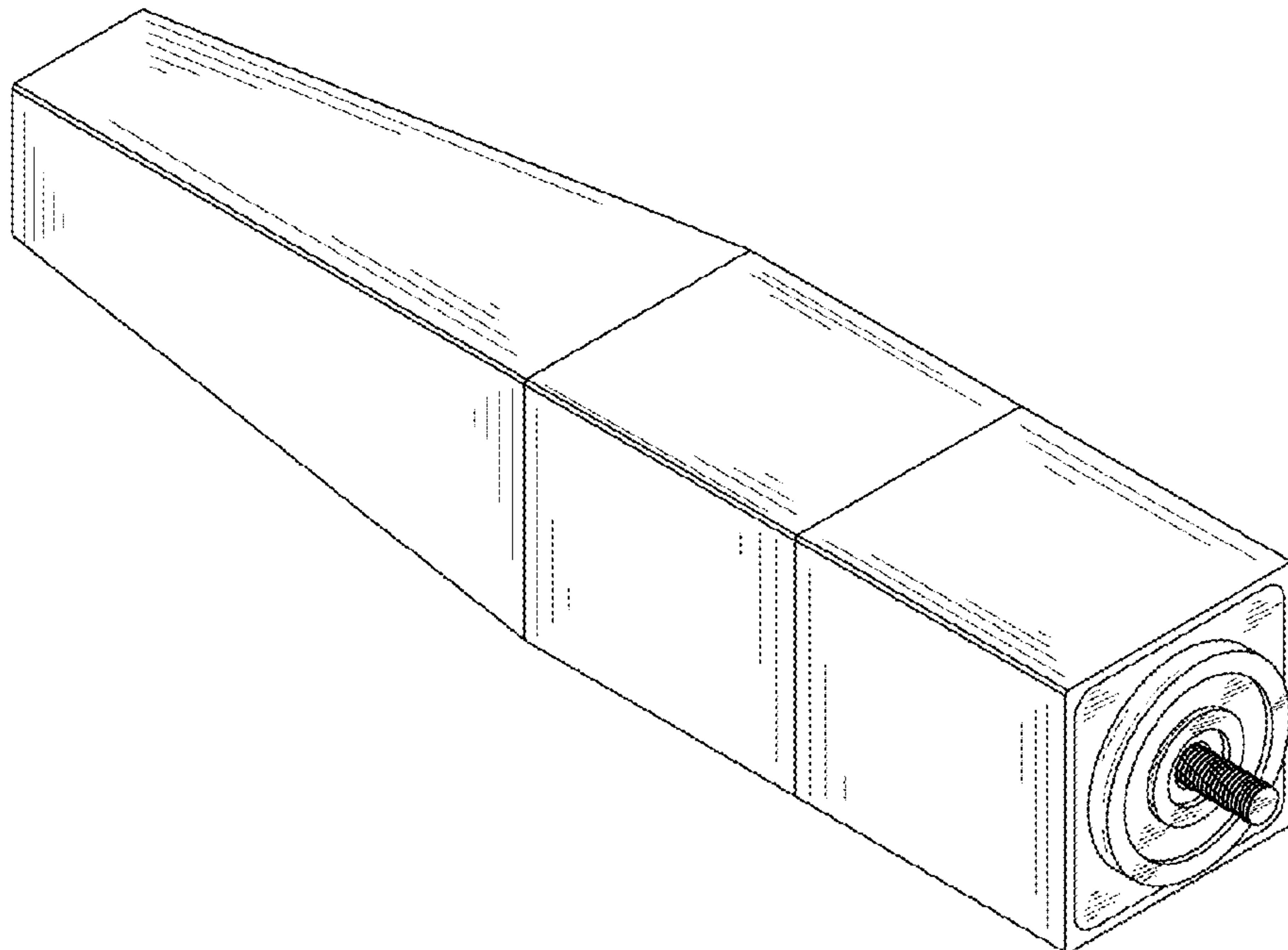
(57) **CLAIM**

The ornamental design for a support component for furniture, as shown and described.

**DESCRIPTION**

FIG. 1 is a top, front and left side perspective view of a support component for furniture showing our new design; FIG. 2 is a right side view thereof; FIG. 3 is a front elevational view thereof; FIG. 4 is a rear elevational view thereof; FIG. 5 is a bottom, front and right side perspective view thereof; and, FIG. 6 is a top, front and right side perspective view thereof.

**1 Claim, 6 Drawing Sheets**



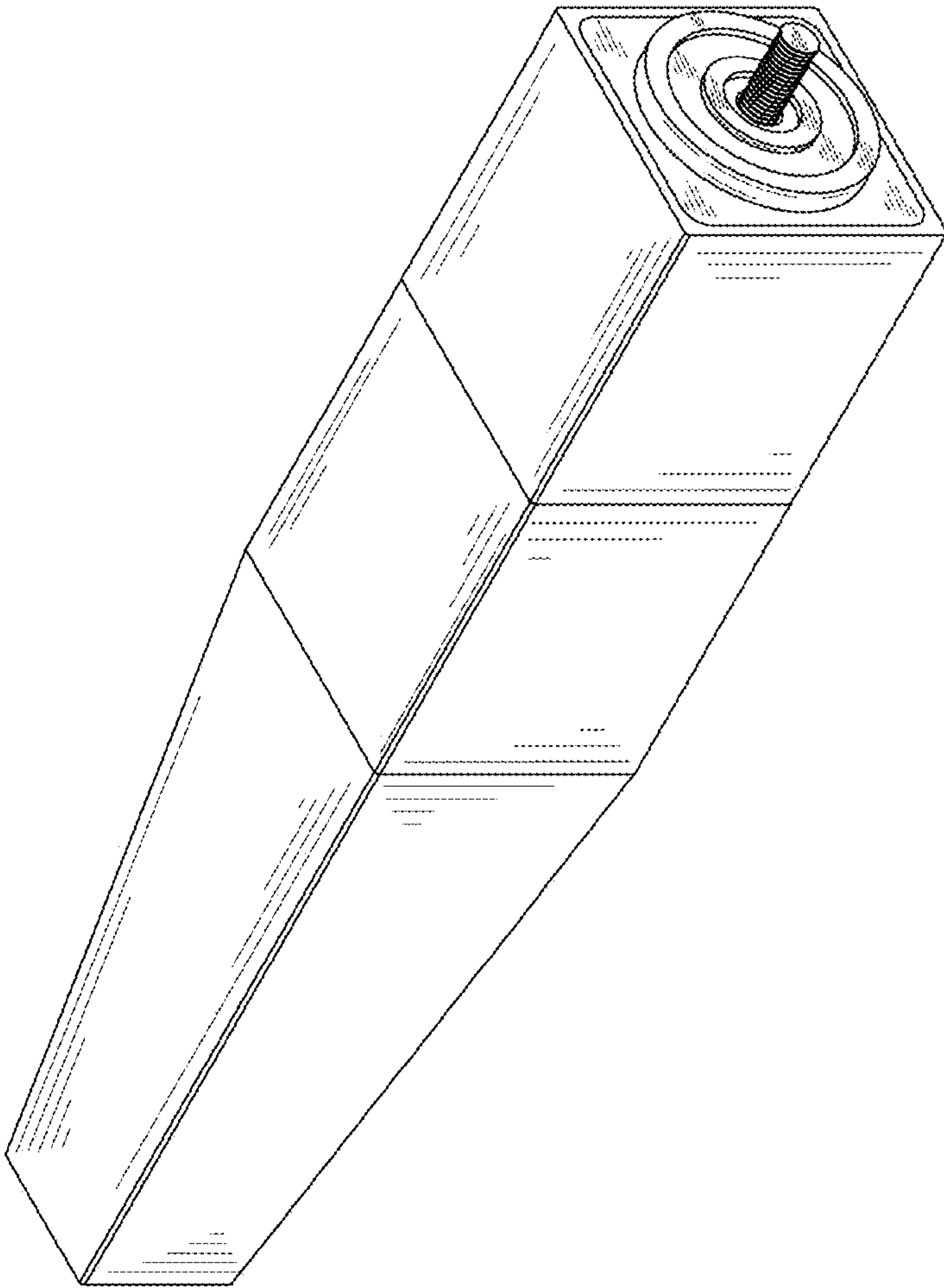


FIG. 1

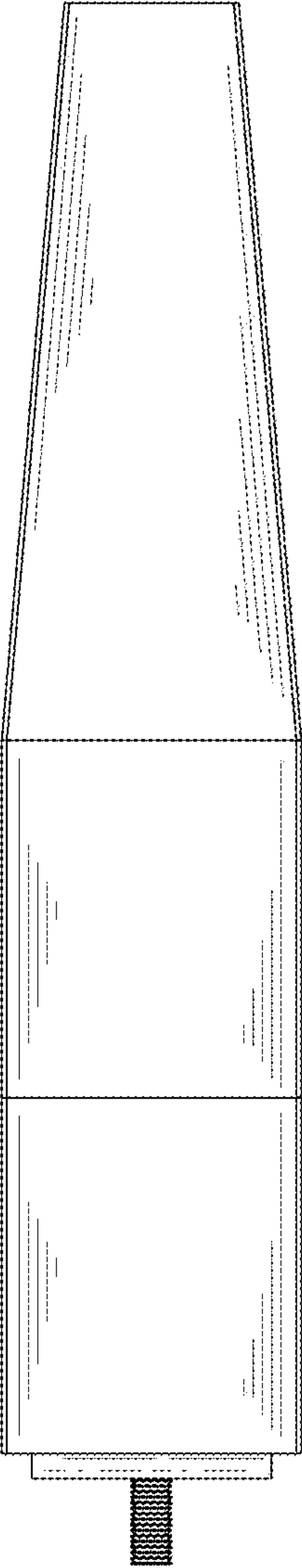


FIG. 2

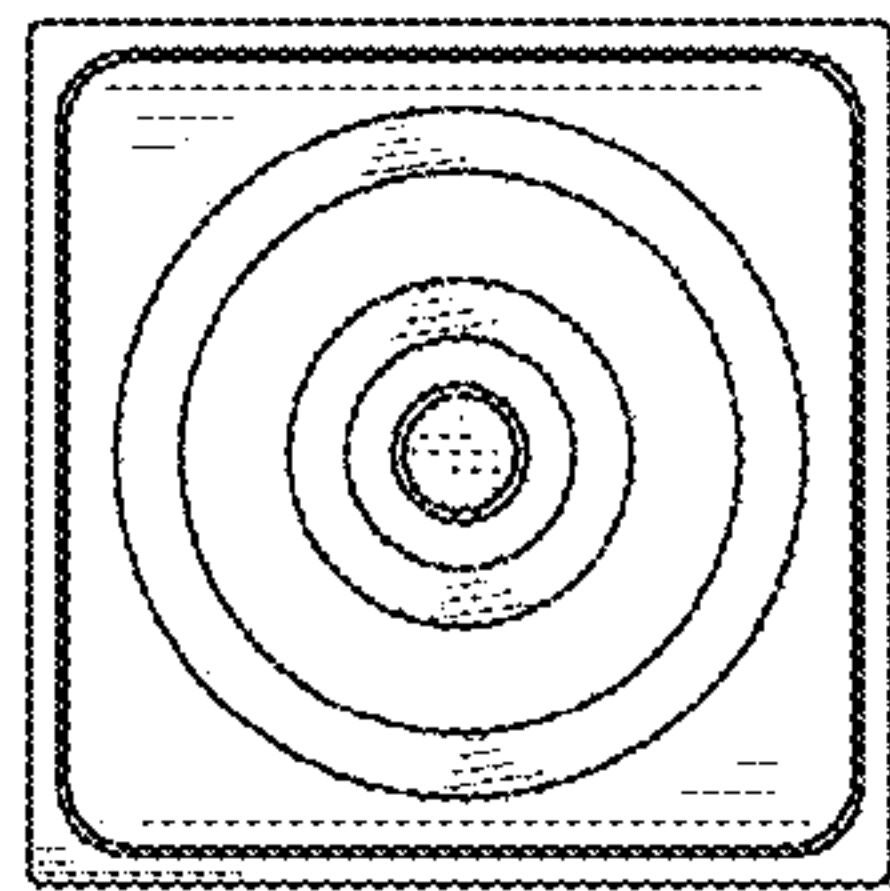


FIG. 3

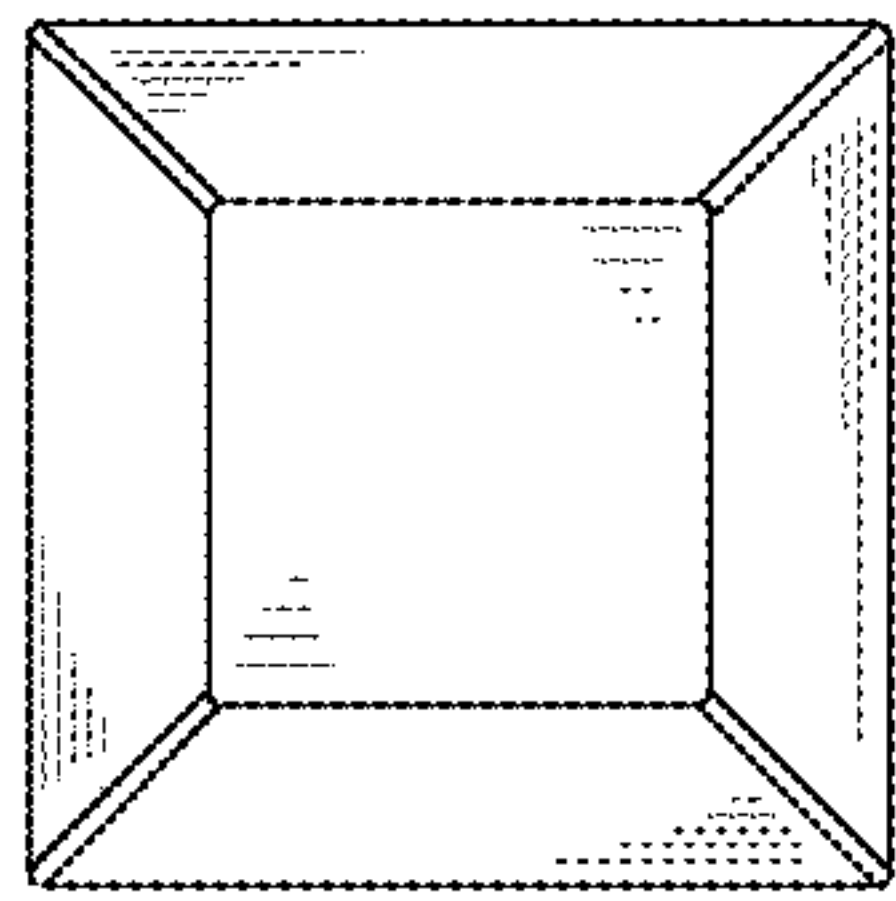


FIG. 4

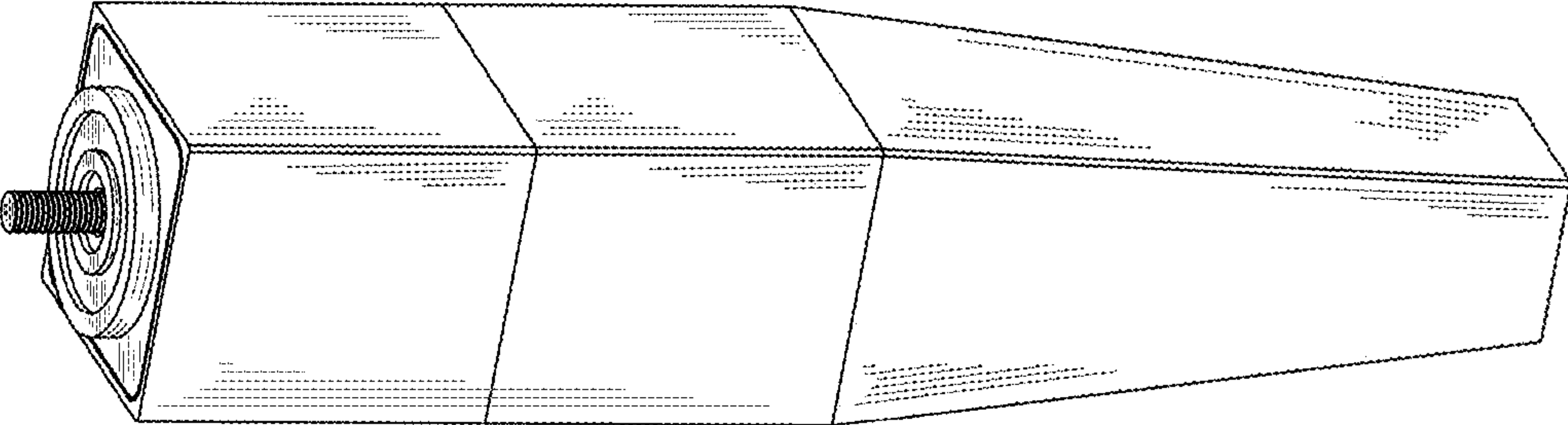


FIG. 5

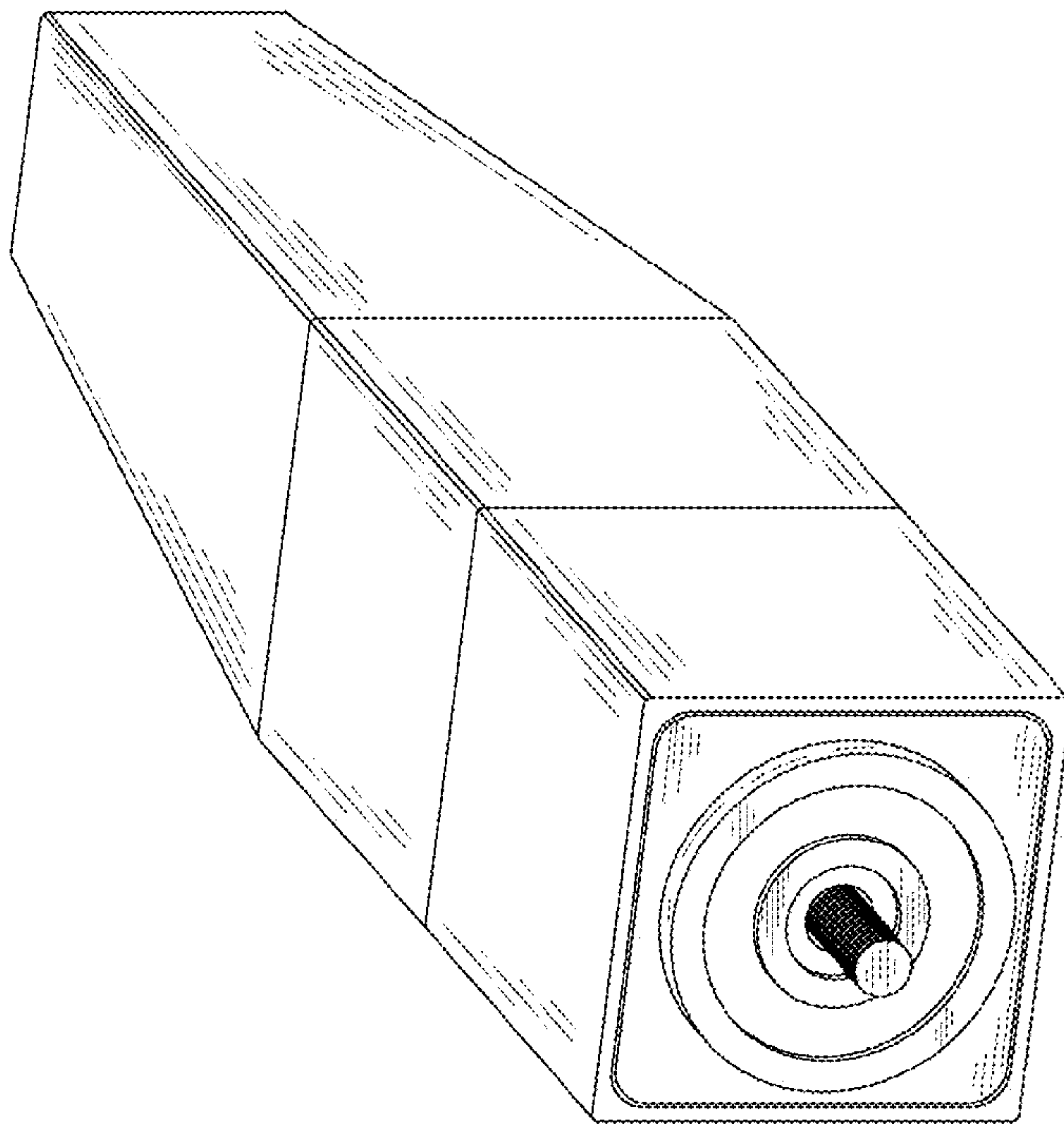


FIG. 6