



US00D930415S

(12) **United States Design Patent**
Li

(10) **Patent No.:** **US D930,415 S**

(45) **Date of Patent:** **** Sep. 14, 2021**

(54) **TABLE**

(71) Applicant: **39F USA INC**, Rancho Cucamonga,
CA (US)

(72) Inventor: **Yuehai Li**, Rancho Cucamonga, CA
(US)

(**) Term: **15 Years**

(21) Appl. No.: **29/711,772**

(22) Filed: **Nov. 2, 2019**

(51) **LOC (13) Cl.** **06-03**

(52) **U.S. Cl.**
USPC **D6/692.6**

(58) **Field of Classification Search**
USPC D6/49, 685, 686, 690, 692, 692.1-692.6
CPC A47B 7/00; A47B 13/00; A47B 13/003;
A47B 13/02; A47B 13/023; A47B 13/04;
A47B 13/06; A47B 13/08; A47B 13/01;
A47B 13/12; A47B 2013/024; A47B
21/00; A47B 2200/0001; A47B
2200/0011; A47B 2200/002; A47B
2200/0021

See application file for complete search history.

(56) **References Cited**

U.S. PATENT DOCUMENTS

D222,624 S * 11/1971 Gianfagna D6/692.6
D247,402 S * 3/1978 Cohen D6/680.3
D258,104 S * 2/1981 Baker D6/692

D295,243 S * 4/1988 Oto D6/692.6
D367,785 S * 3/1996 Lewis D6/692
D384,839 S * 10/1997 Muller D6/692
D428,741 S * 8/2000 Hazen D6/692.1
D492,512 S * 7/2004 Domack D6/692.1
D876,864 S * 3/2020 He D6/692.4
D917,905 S * 5/2021 Li D6/352

OTHER PUBLICATIONS

QW Amish Lodi Oval Coffee Table—QW Furniture <https://qualitywoods.com/products/qw-amish-lodi-oval-coffee-table?variant=37871833841850> retrieved from the internet on Jun. 24, 2021.*

* cited by examiner

Primary Examiner — Mary Ann Calabrese
(74) *Attorney, Agent, or Firm* — Feng Qian

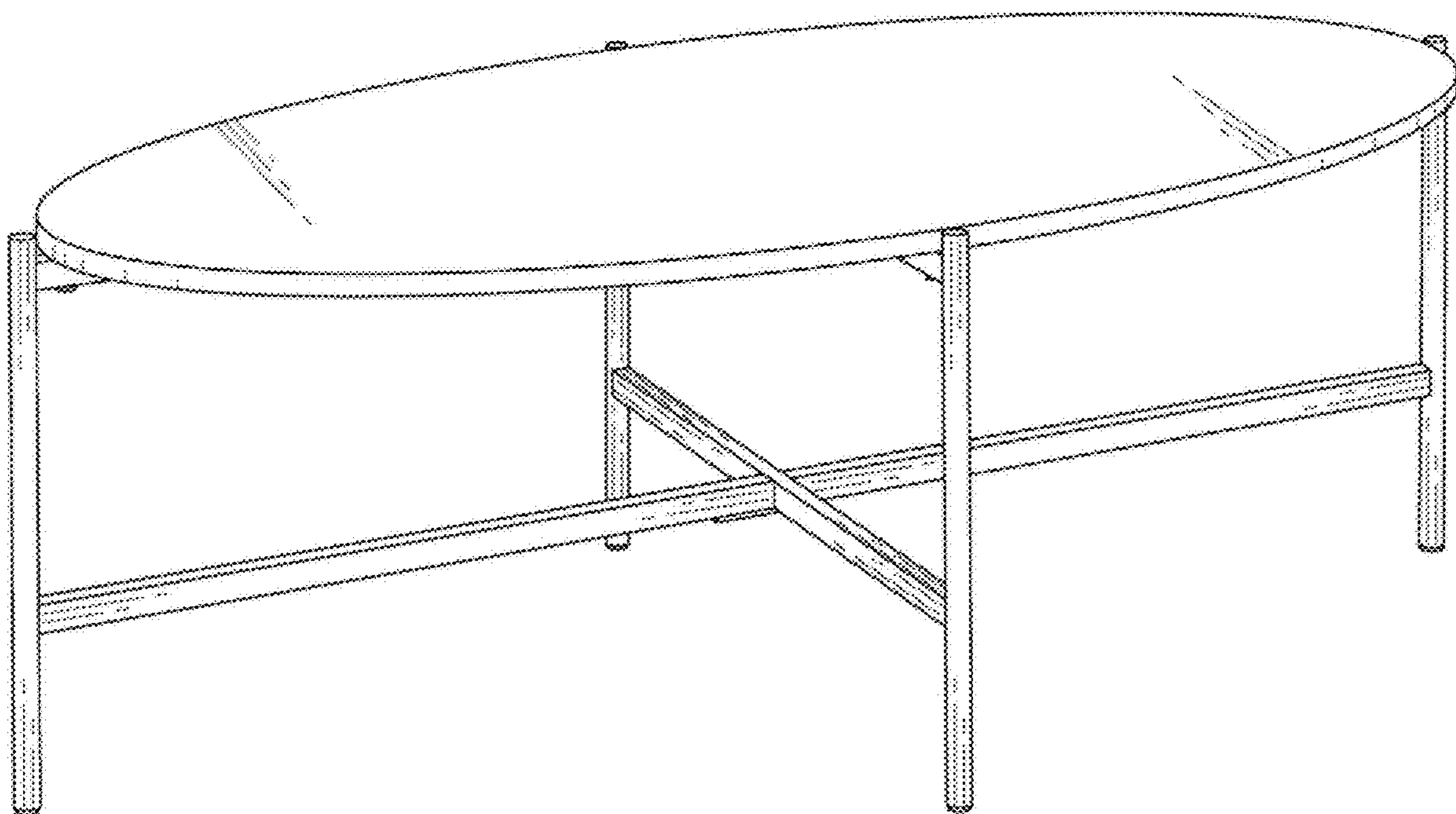
(57) **CLAIM**

The ornamental design for a table, as shown and described.

DESCRIPTION

FIG. 1 is a front perspective view of a table showing my new design;
FIG. 2 is a front elevation view thereof;
FIG. 3 is a rear elevation view thereof;
FIG. 4 is a left-side elevation view thereof;
FIG. 5 is a right-side elevation view thereof;
FIG. 6 is a top plan view thereof; and,
FIG. 7 is a bottom plan view thereof.

1 Claim, 7 Drawing Sheets



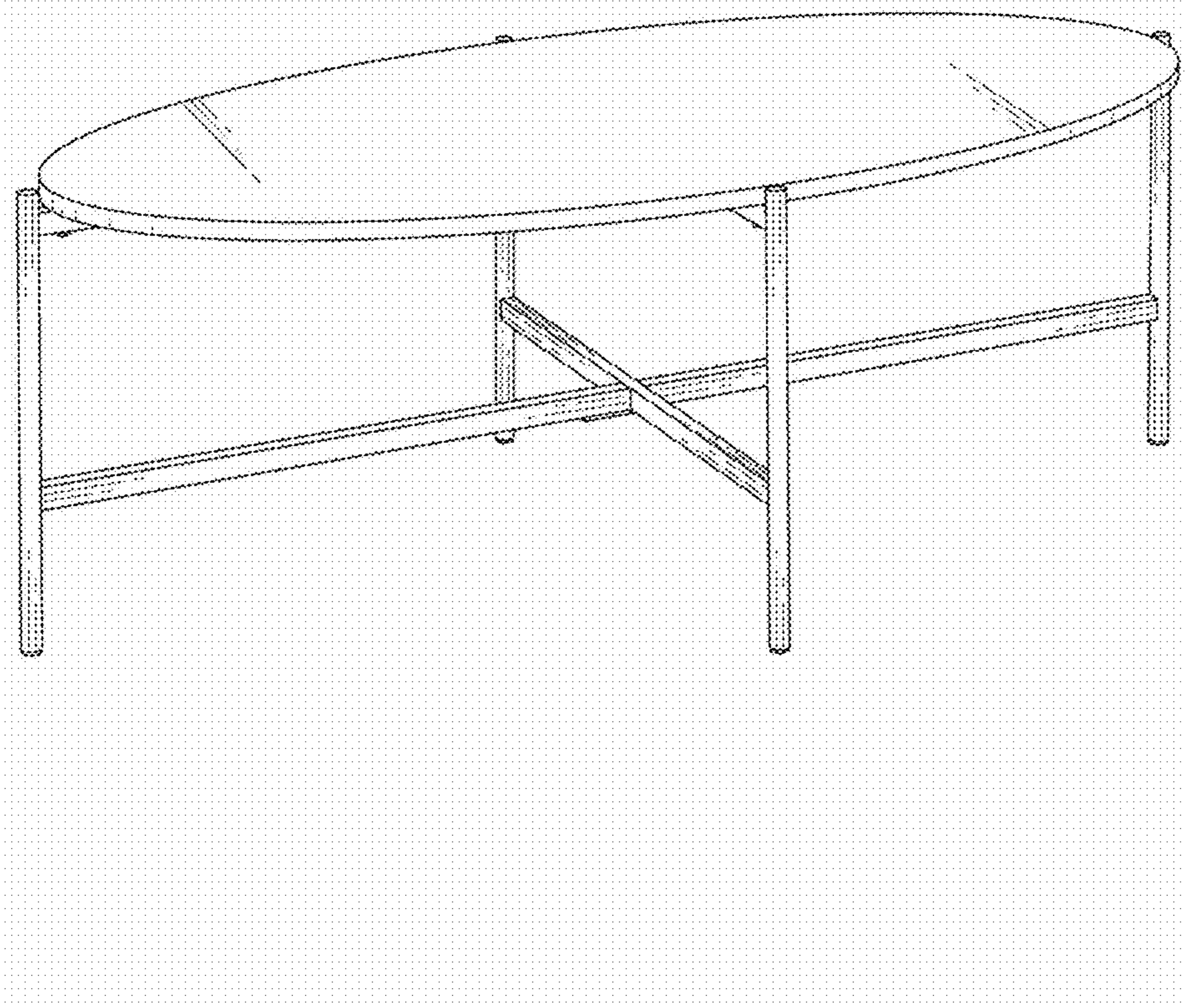


Fig.1

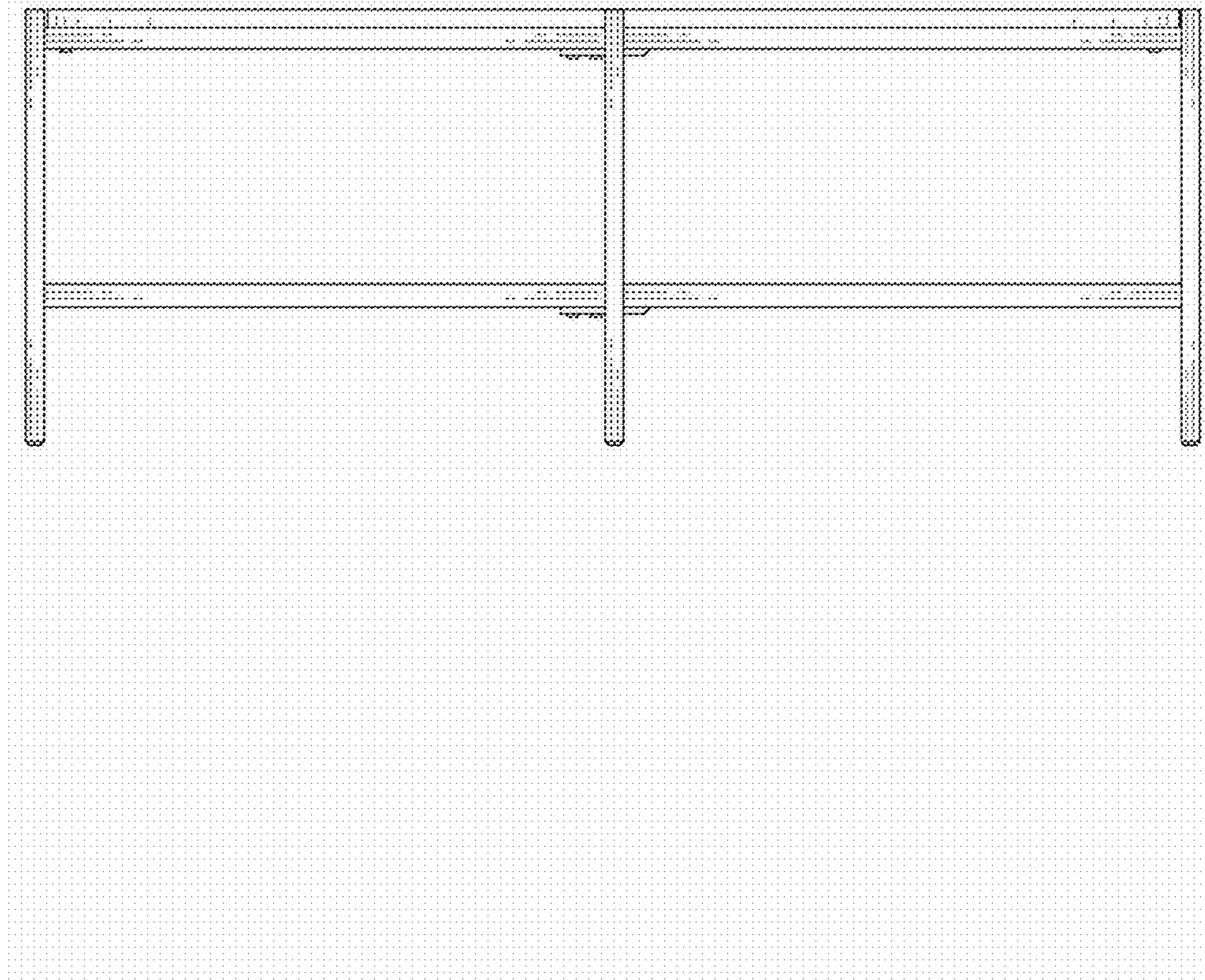


Fig.2

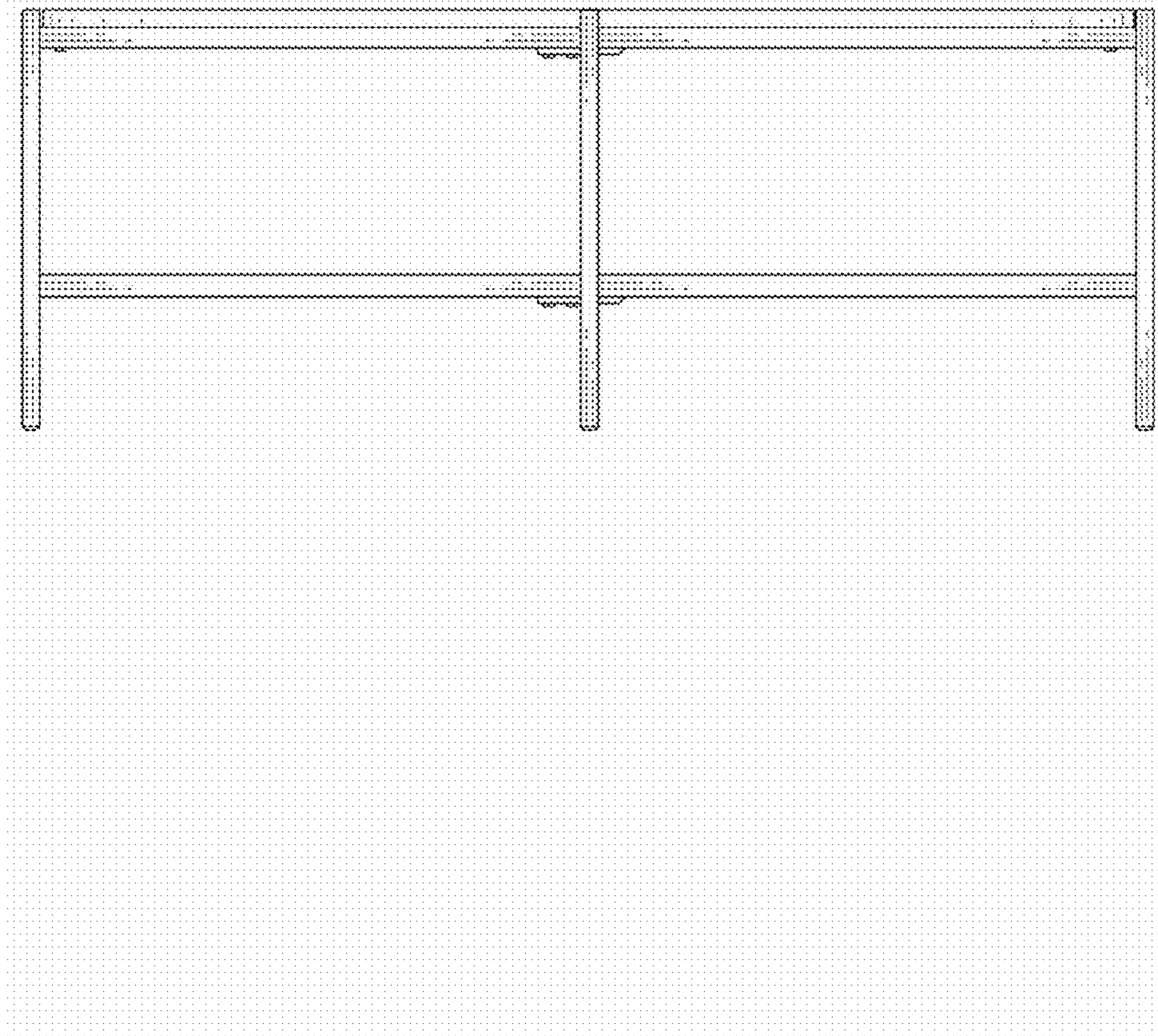


Fig.3

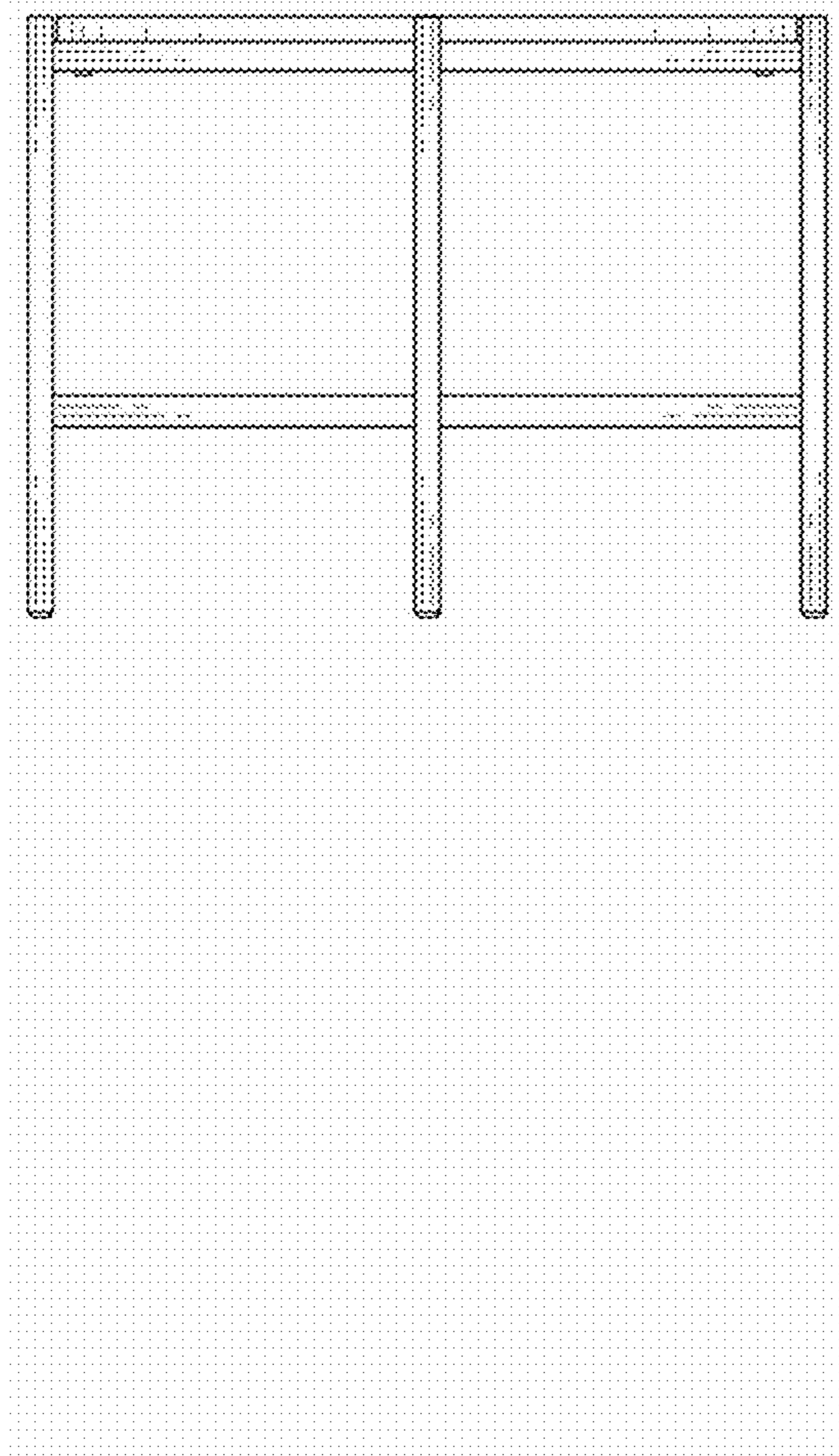


Fig.4

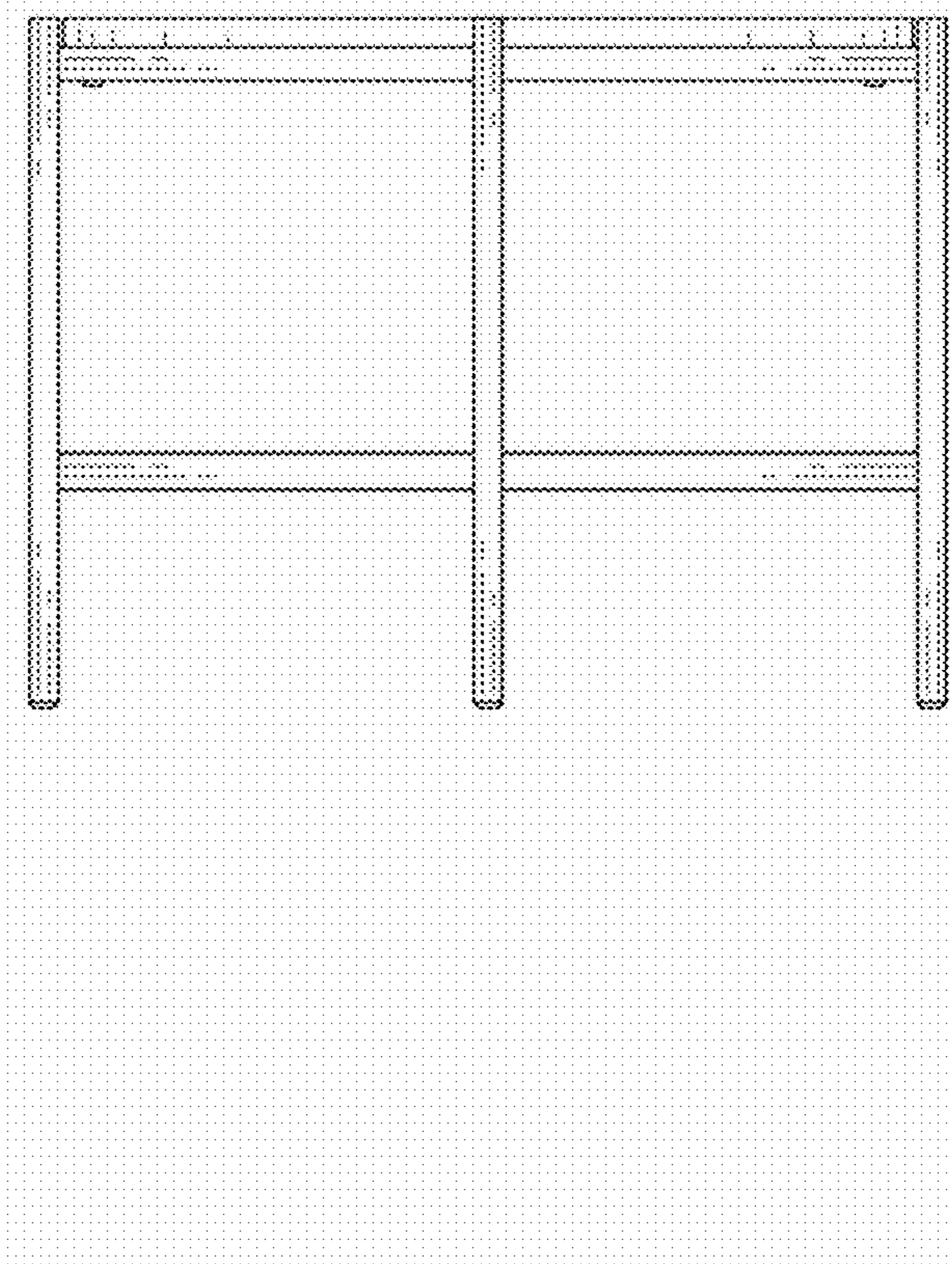


Fig.5

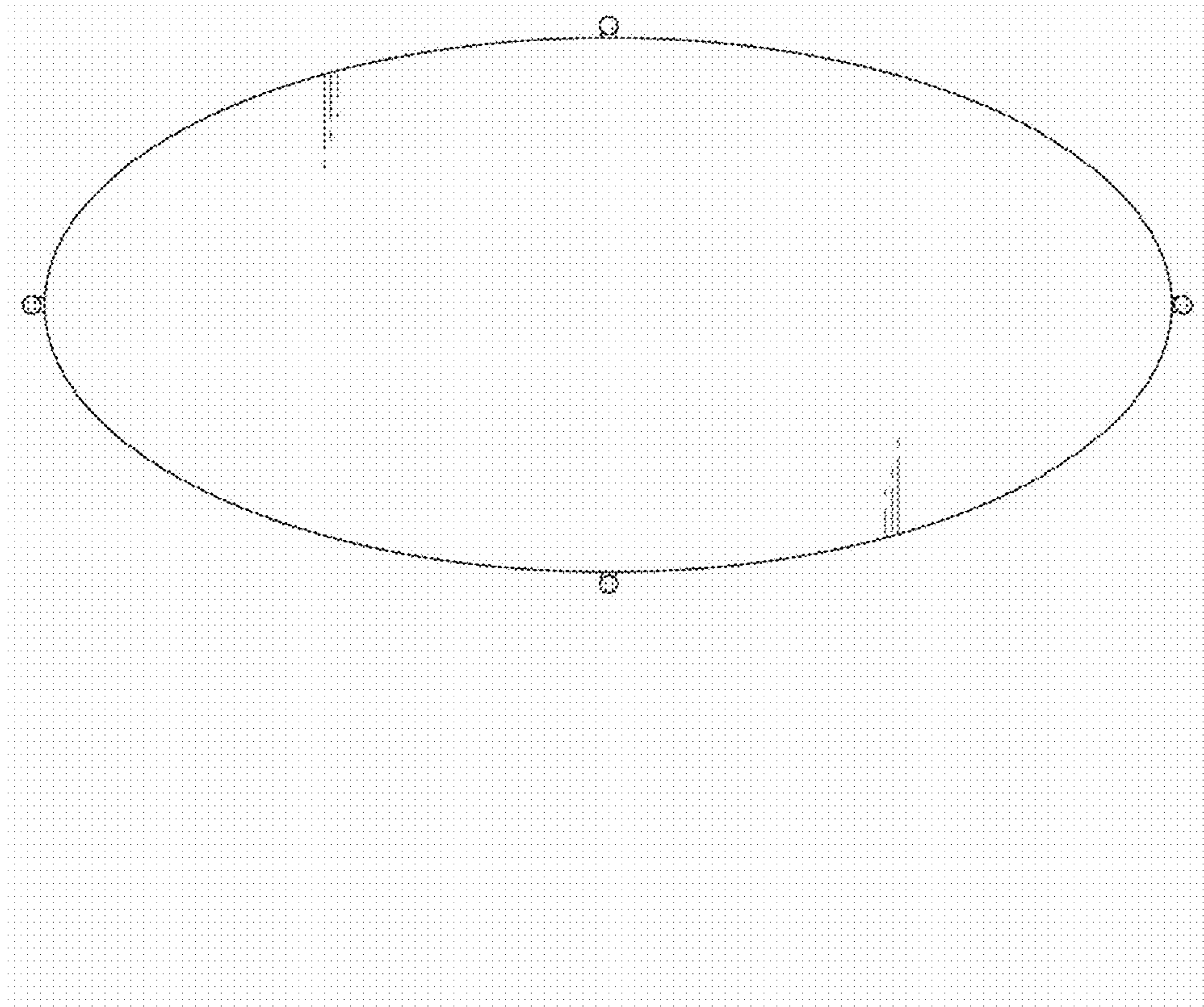


Fig.6

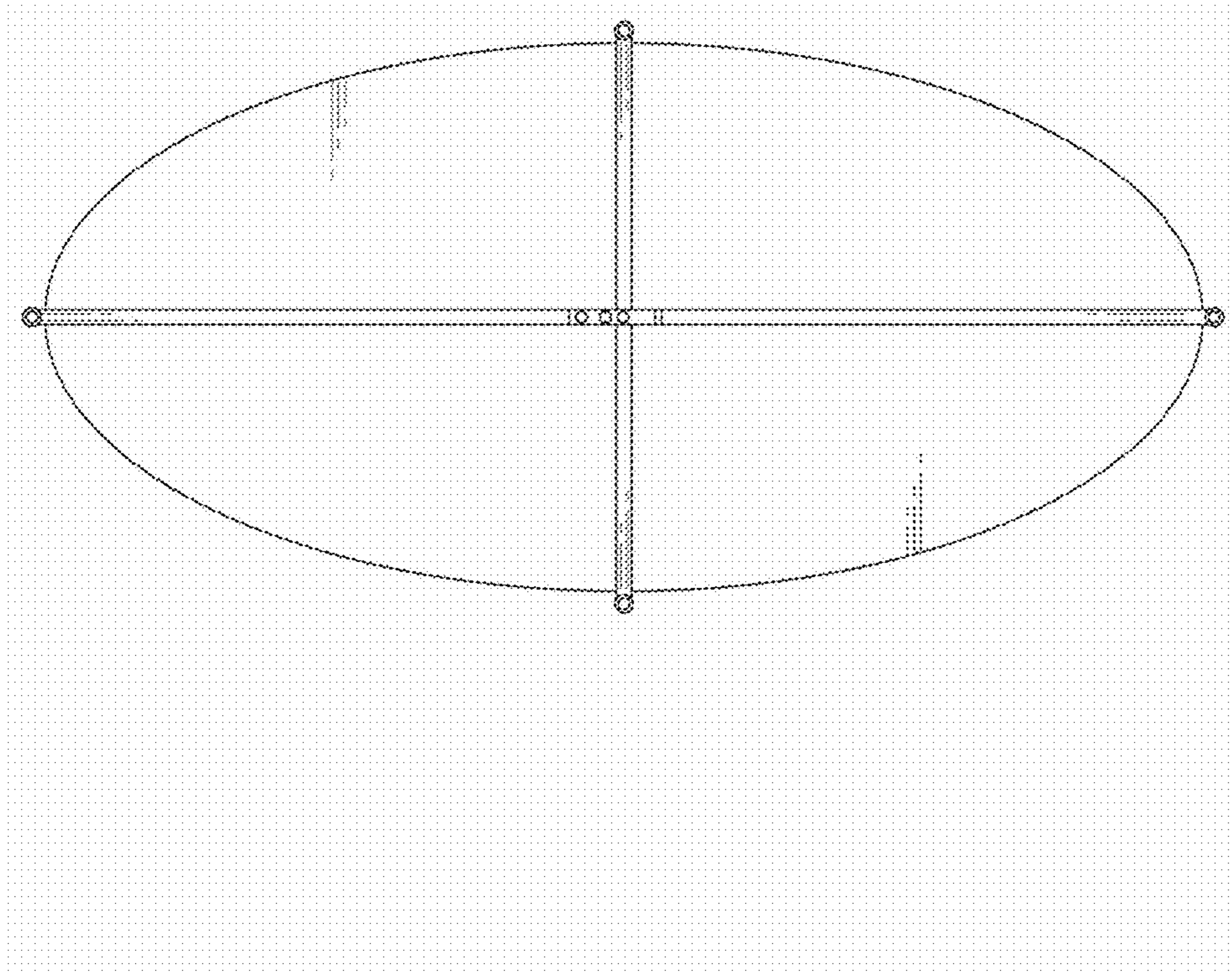


Fig.7