



US00D930413S

(12) **United States Design Patent** (10) **Patent No.:** **US D930,413 S**  
**Sakai** (45) **Date of Patent:** **\*\* Sep. 14, 2021**

(54) **STAND FOR TOY BEADS**  
(71) Applicant: **EPOCH COMPANY LTD**, Tokyo (JP)  
(72) Inventor: **Ryo Sakai**, Tokyo (JP)  
(73) Assignee: **EPOCH COMPANY, LTD.**, Tokyo (JP)  
(\*\*) Term: **15 Years**

D772,989 S *	11/2016	Fjelstad	.....	D21/385
D817,947 S *	5/2018	Toussi	.....	D14/252
D839,629 S *	2/2019	Gilor	.....	D6/526
D865,415 S *	11/2019	Zhu	.....	D6/682
D875,545 S *	2/2020	Bagramyan	.....	D9/669
D886,044 S *	6/2020	Gerhard	.....	D13/103
D896,009 S *	9/2020	Holmes	.....	D6/682.3
D902,326 S *	11/2020	Kamiyama	.....	D21/530
D911,951 S *	3/2021	Yang	.....	D13/108
D915,067 S *	4/2021	Sakai	.....	D3/271.1
D922,071 S *	6/2021	Jensen	.....	D3/302

\* cited by examiner

(21) Appl. No.: **29/708,127**  
(22) Filed: **Oct. 3, 2019**

*Primary Examiner* — Kelley A Donnelly  
(74) *Attorney, Agent, or Firm* — Fitzgerald IP Law; John K Fitzgerald, Esq.

(30) **Foreign Application Priority Data**

Apr. 3, 2019 (JP) ..... 2019-007266

(57) **CLAIM**

The ornamental design for a stand for toy beads, as shown and described.

(51) **LOC (13) Cl.** ..... **06-06**

(52) **U.S. Cl.**  
USPC ..... **D6/682.3**

**DESCRIPTION**

(58) **Field of Classification Search**  
USPC ..... D6/553, 567, 657, 669, 672, 673, 678, D6/678.1, 682, 682.3; D21/385, 392, D21/398, 453  
CPC ..... A47F 5/08; A47F 5/0876; A47F 5/0081; A47F 7/00; A47F 7/0057; B65D 1/00; B65D 11/20  
See application file for complete search history.

FIG. 1 is a perspective view of portions of the front, top, and right side of a stand for toy beads showing my new design; FIG. 2 is a perspective view of portions of the rear, bottom, and right side thereof; FIG. 3 is a front view thereof; FIG. 4 is a rear view thereof; FIG. 5 is a top plan view thereof; FIG. 6 is a bottom view thereof; FIG. 7 is a right side view thereof; FIG. 8 is a left side view thereof; and, FIG. 9 is a perspective view of the stand for toy beads of FIG. 1 attaching others stands drawn in broken lines.

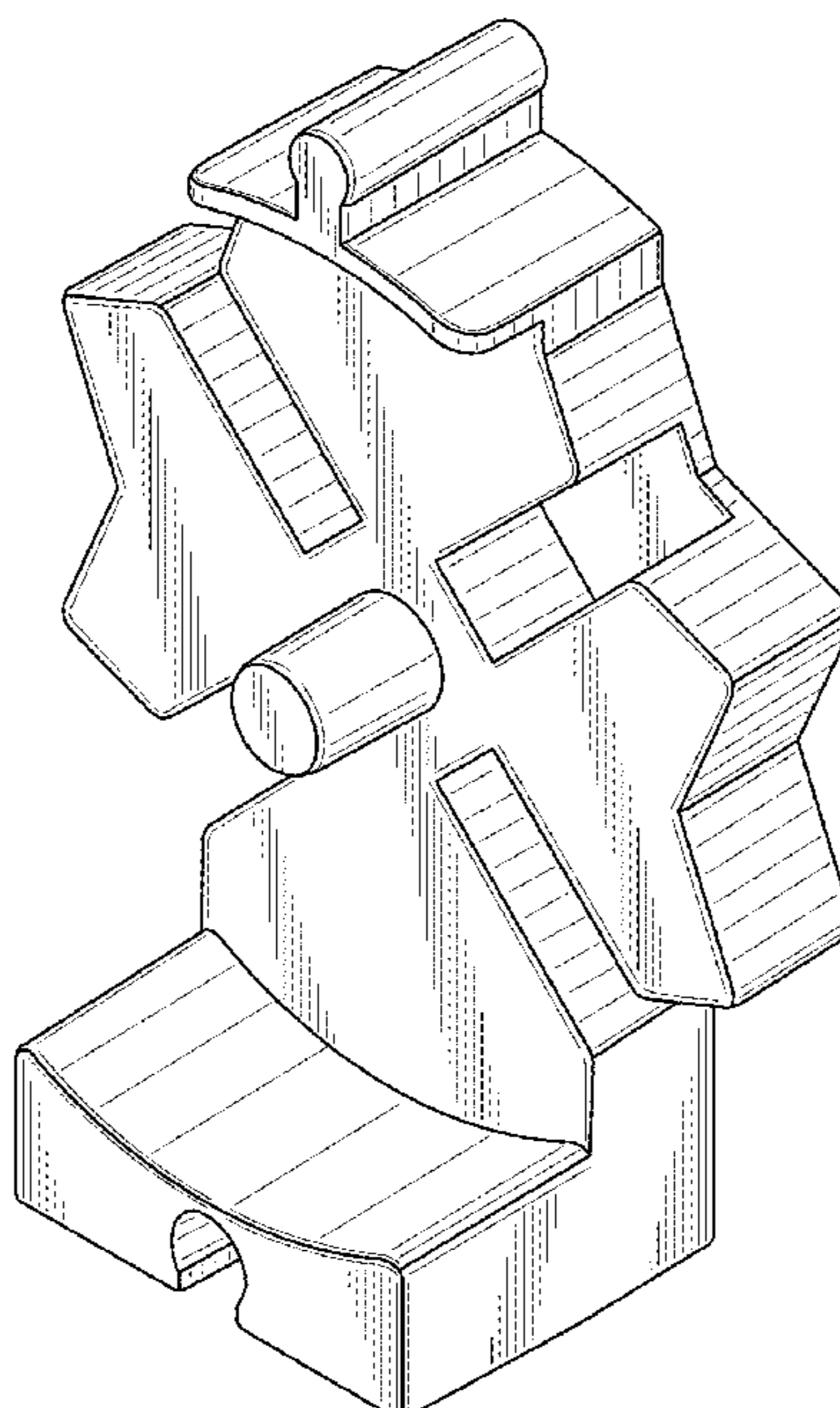
(56) **References Cited**

**U.S. PATENT DOCUMENTS**

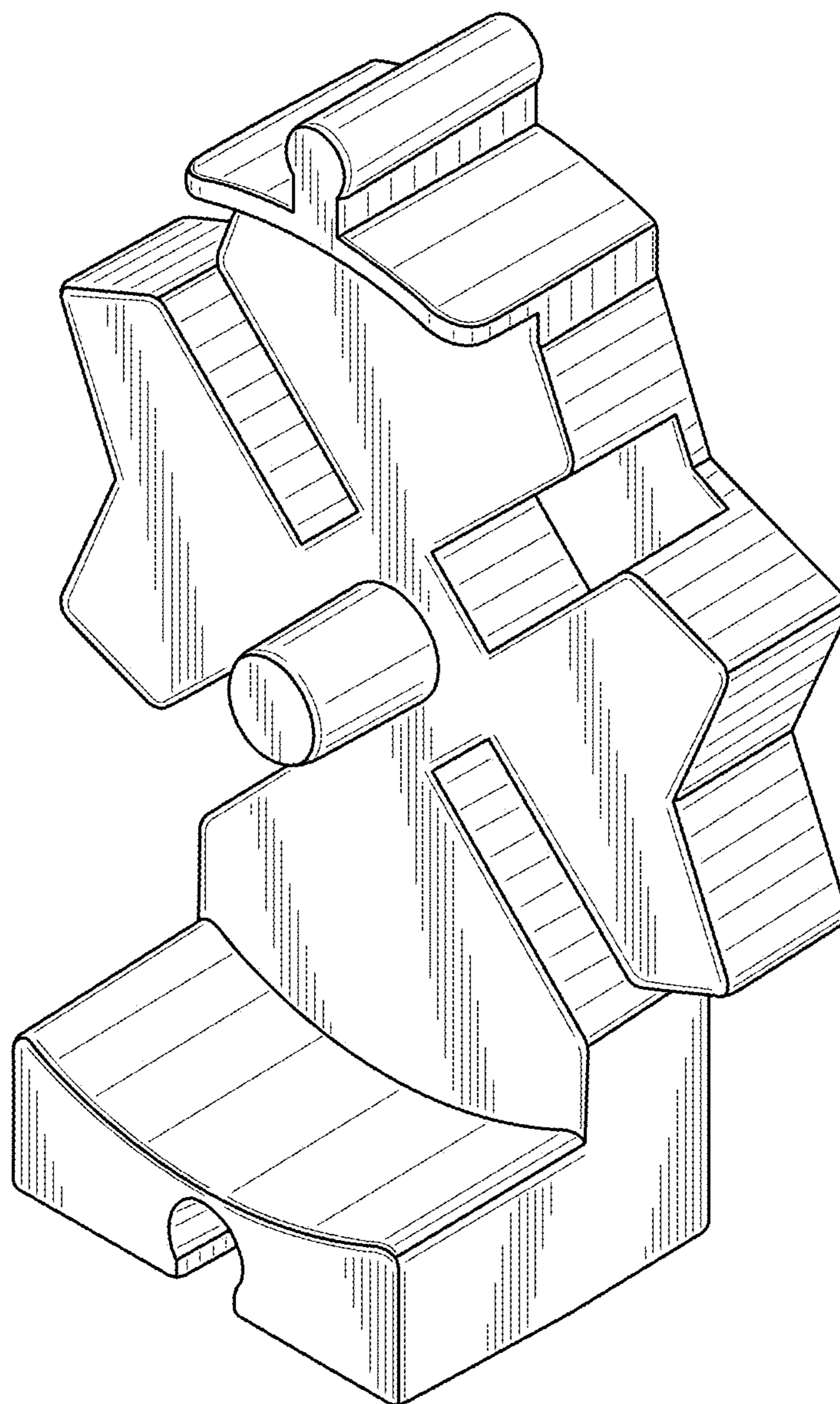
D321,788 S *	11/1991	Chen	.....	D3/295
D351,955 S *	11/1994	Ennis	.....	D6/678
D367,571 S *	3/1996	Ennis	.....	D6/678
D368,187 S *	3/1996	Johnson	.....	D6/682
D401,450 S *	11/1998	Ennis	.....	D6/682.5
D748,616 S *	2/2016	Noble	.....	D14/253

The broken lines shown are included for the purpose of illustrating portions of the article which form no part of the claimed design.

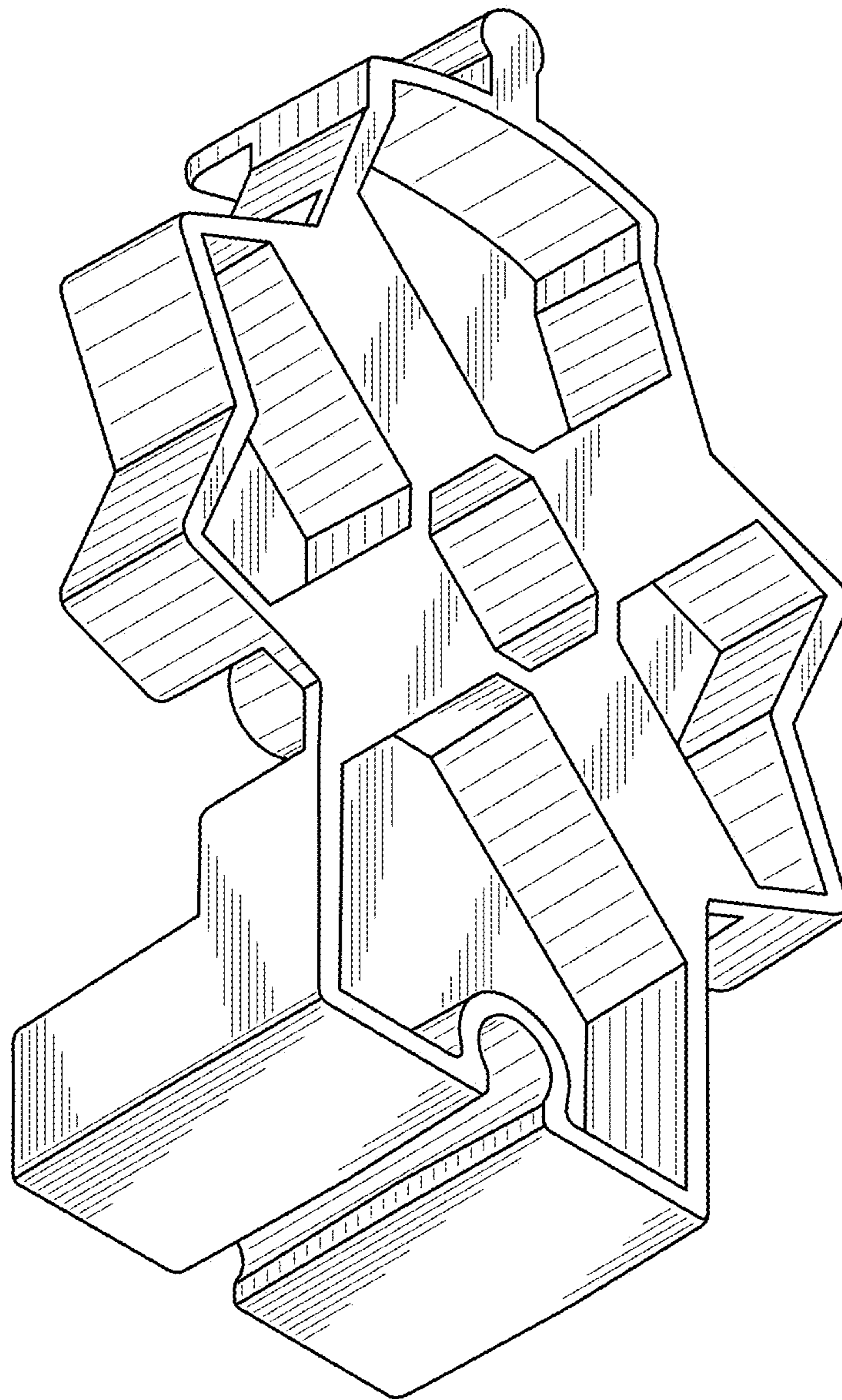
**1 Claim, 9 Drawing Sheets**



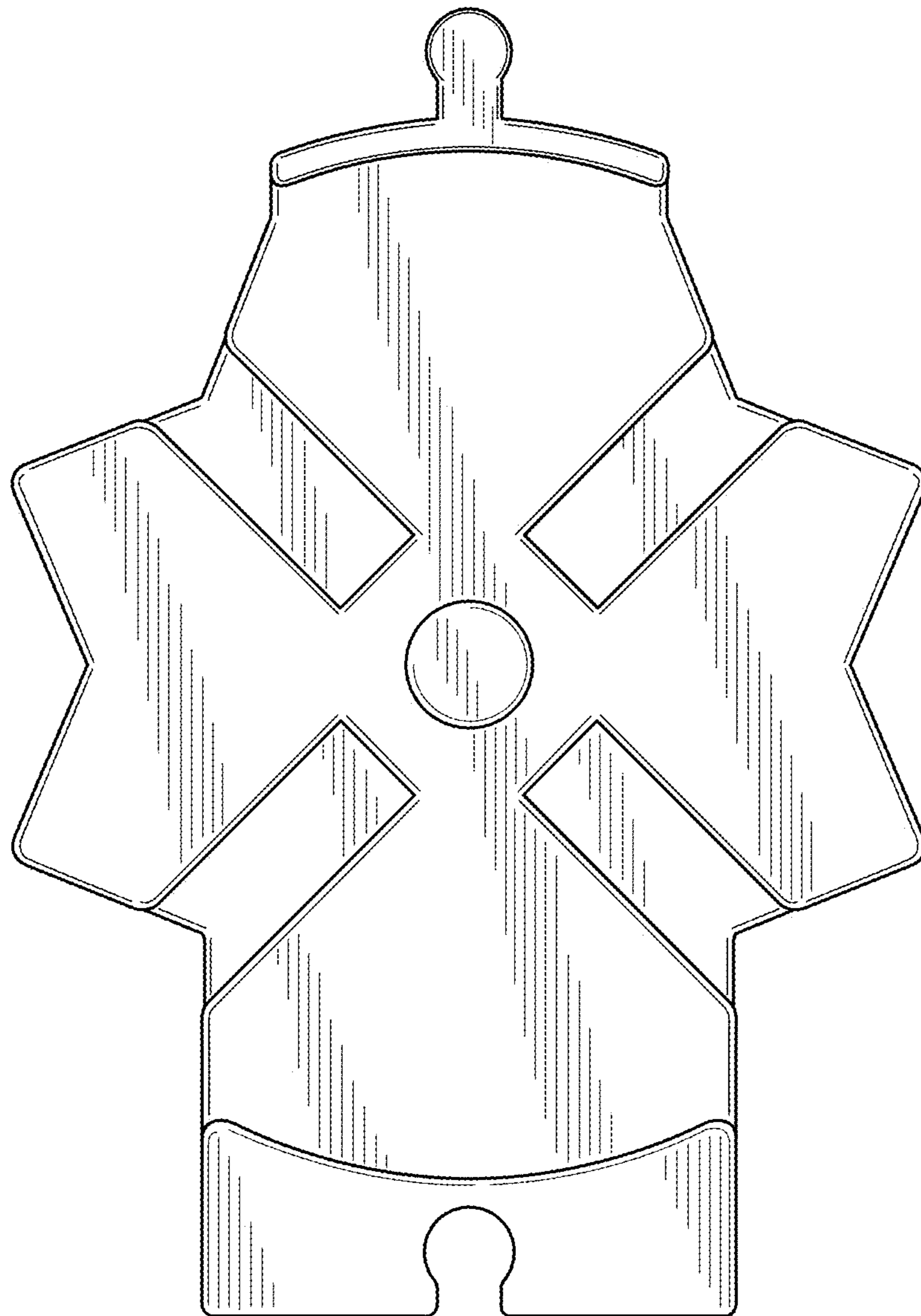
***FIG. 1***



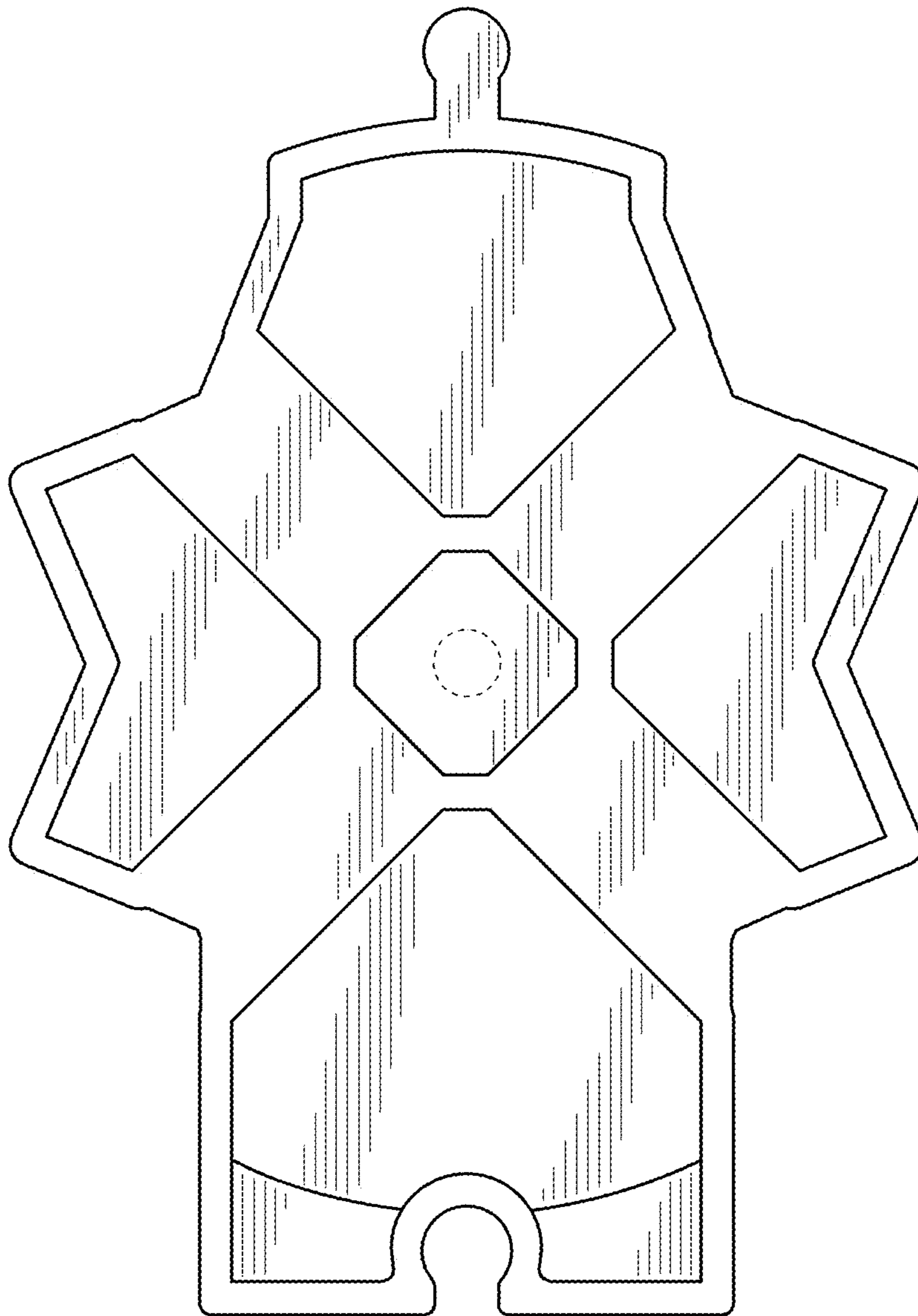
**FIG. 2**



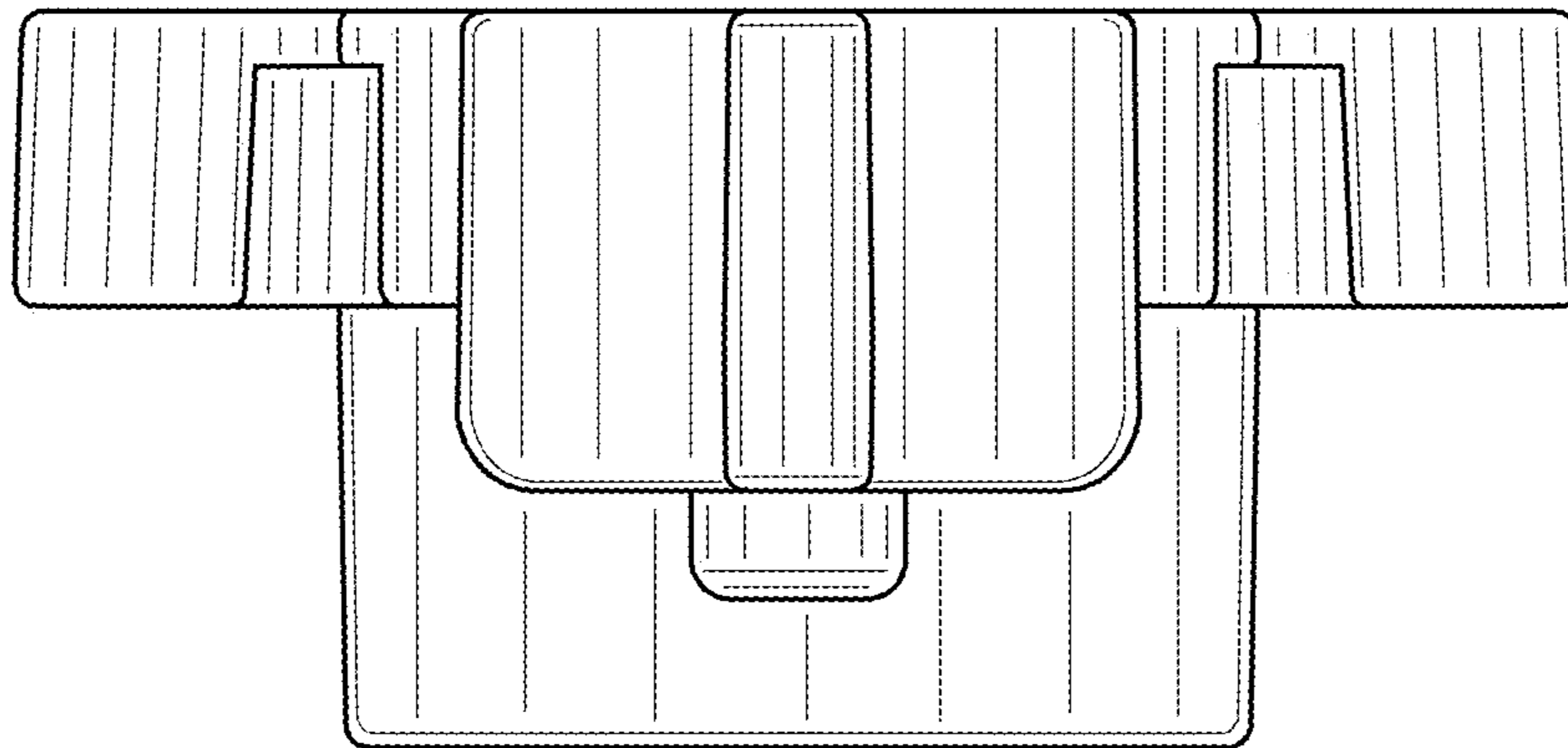
***FIG. 3***



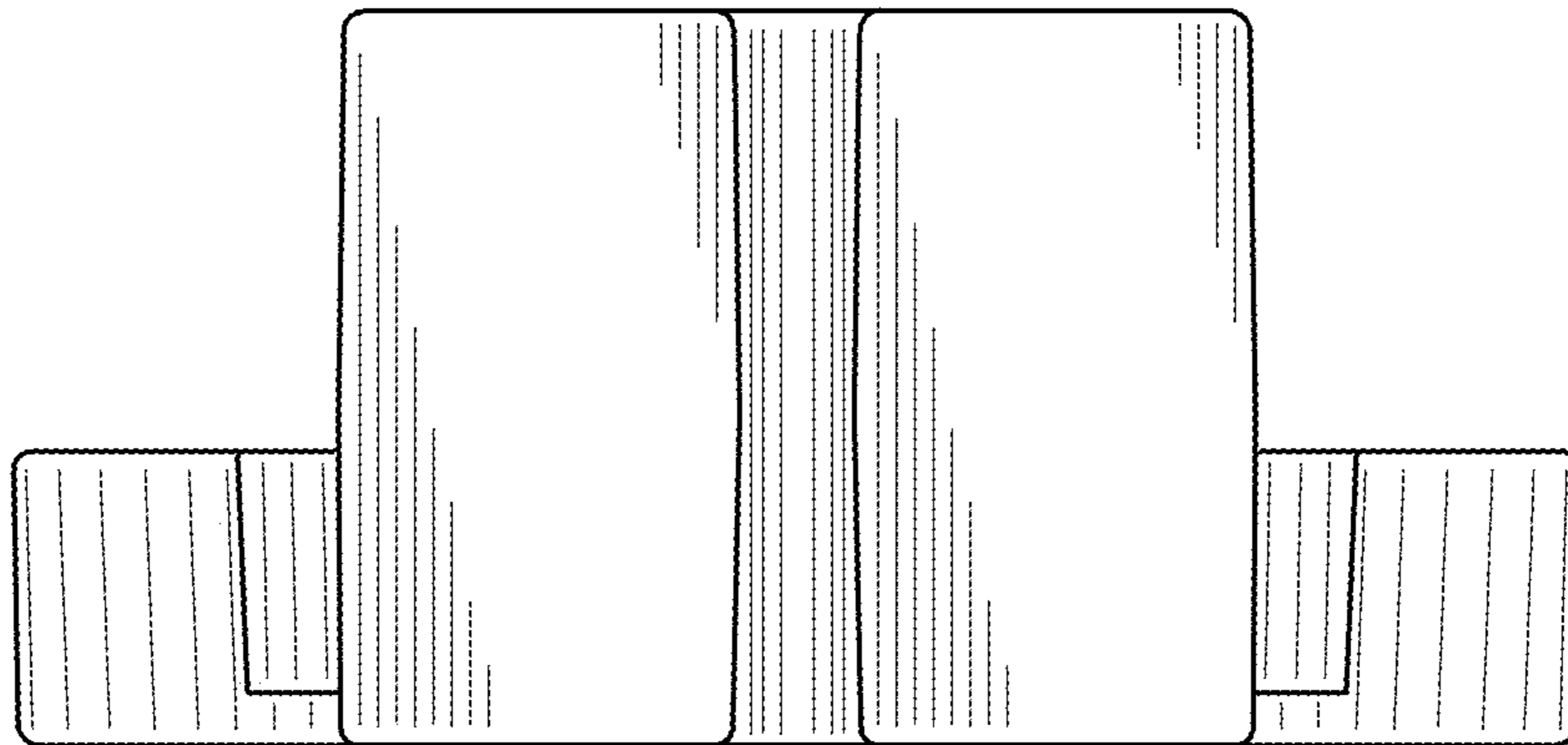
***FIG. 4***



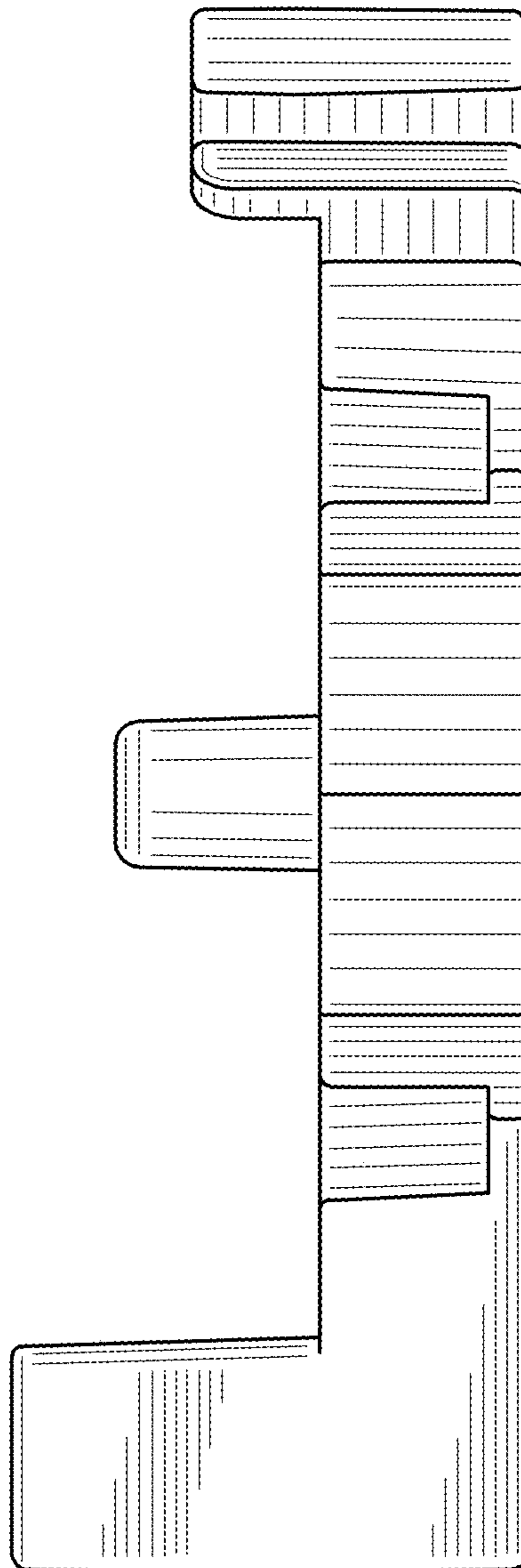
*FIG. 5*



***FIG. 6***

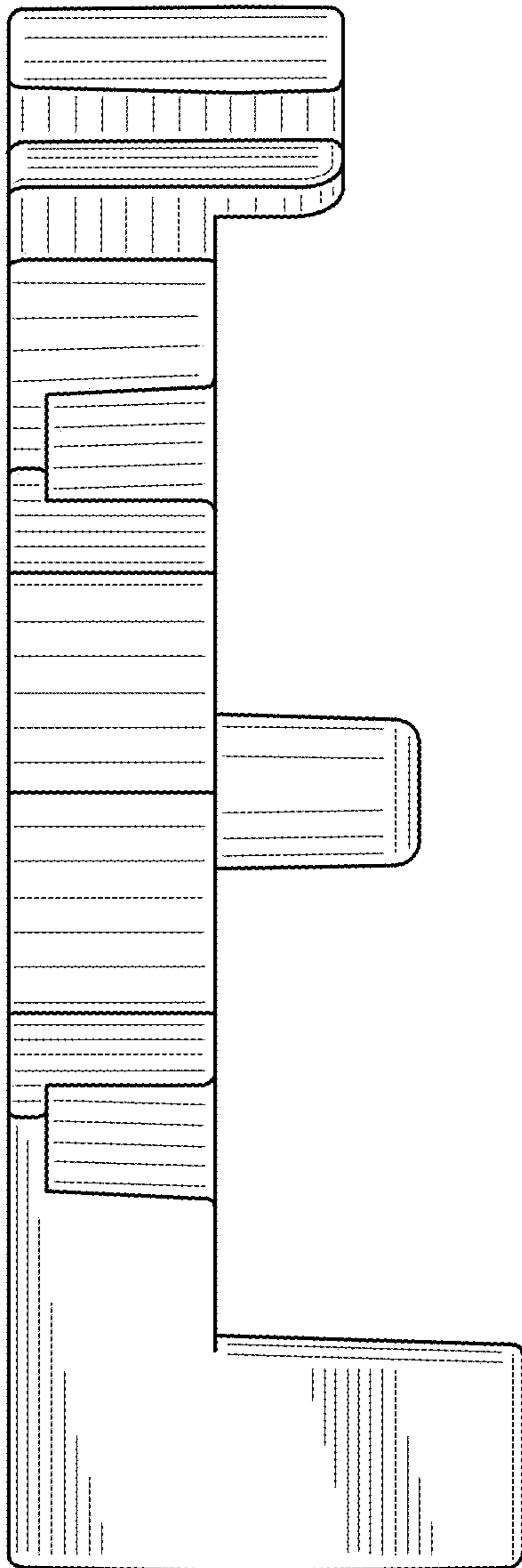


**FIG. 7**





**FIG. 8**



**FIG. 9**

