



US00D930408S

(12) **United States Design Patent** (10) **Patent No.:** **US D930,408 S**  
**Dresnick et al.** (45) **Date of Patent:** **\*\* Sep. 14, 2021**

- (54) **COLLAPSIBLE PACKING ORGANIZER**
- (71) Applicants: **Susan Dresnick**, Coral Gables, FL  
(US); **Julito Cartaya**, Miami Lakes, FL  
(US)
- (72) Inventors: **Susan Dresnick**, Coral Gables, FL  
(US); **Julito Cartaya**, Miami Lakes, FL  
(US)
- (73) Assignee: **Susan Dresnick**, Coral Gables, FL (US)
- (\*\*) Term: **15 Years**
- (21) Appl. No.: **29/756,818**
- (22) Filed: **Oct. 30, 2020**

**Related U.S. Application Data**

- (63) Continuation of application No. 16/245,616, filed on Jan. 11, 2019, now Pat. No. 10,856,656.
- (51) **LOC (13) Cl.** ..... **06-06**
- (52) **U.S. Cl.**  
USPC ..... **D6/675.1**
- (58) **Field of Classification Search**  
USPC ..... D6/329, 673, 675, 675.1, 675.2, 675.3,  
D6/675.4, 678.4, 680.2, 680.3, 702  
CPC ..... A47B 43/00; A47B 46/00; A47B 46/005;  
A47B 57/045; A47B 61/003; A47B  
96/025; A47F 5/0093; A47F 5/10; A47F  
5/12; A47F 5/108; B65G 1/02  
See application file for complete search history.

**References Cited**

**U.S. PATENT DOCUMENTS**

- 1,955,769 A \* 4/1934 Reynolds ..... G09F 5/02  
211/130.1
- D109,389 S \* 4/1938 Beyrle ..... D6/681.3
- D143,125 S \* 12/1945 Brinkema ..... D6/675.4

- 4,570,805 A \* 2/1986 Smith ..... A47F 5/116  
211/132.1
- D324,143 S \* 2/1992 Hammond ..... D34/21
- D363,840 S \* 11/1995 Weshler ..... D6/683.1
- D364,763 S \* 12/1995 Sielaff ..... D6/675.1
- D486,982 S \* 2/2004 Hessell ..... D6/675.4

(Continued)

*Primary Examiner* — Kelley A Donnelly  
(74) *Attorney, Agent, or Firm* — Robert M. Schwartz

(57) **CLAIM**

The ornamental design for a collapsible packing organizer, as shown and described.

**DESCRIPTION**

FIG. 1 is a front top perspective view showing the new design for a collapsible packing organizer invention, shown in an unfolded vertical standing position.

FIG. 2 is a side view of the invention with the left and right side views being identical mirror images of each other.

FIG. 3 is a top view of the invention.

FIG. 4 is a front plan view of the invention.

FIG. 5 is a rear view of the invention.

FIG. 6 is a front plan view of the invention, shown in a folded collapsed flat position.

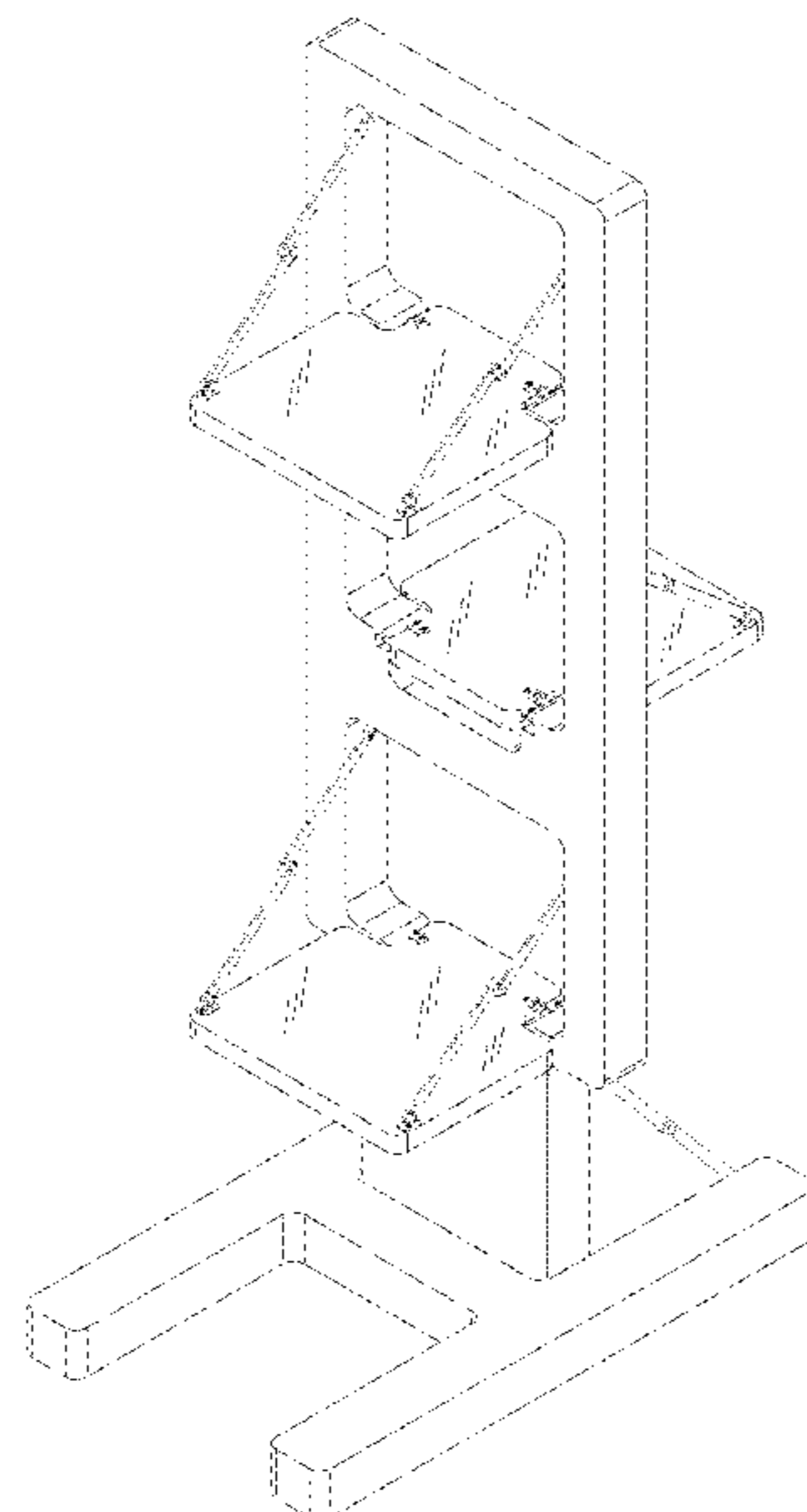
FIG. 7 is a side view of the invention shown in FIG. 6, with the left and right views being identical mirror images of each other.

FIG. 8 is a front top perspective view of a first alternate embodiment of the invention, shown in an unfolded vertical standing position; and,

FIG. 9 is a front plan view of the invention of FIG. 8, shown in a folded collapsed flat position.

Surface shading has been added in the drawing figures to show the character and contour of the surfaces of the design. The broken lines shown in the figures represent portions of the inventions that are for the purpose of showing environmental structure and forms no part of the claimed design.

**1 Claim, 7 Drawing Sheets**



(56)

**References Cited**

U.S. PATENT DOCUMENTS

D499,278	S *	12/2004	Dardashti .....	D6/675.3
D537,276	S *	2/2007	Kelman .....	D6/675.4
D537,655	S *	3/2007	Hessell .....	D6/675.1
D693,158	S *	11/2013	Jung .....	D6/682.3
D707,472	S *	6/2014	Wehner .....	D6/675.1
D708,873	S *	7/2014	Wehner .....	D06F 57/10 D6/675.2
D738,143	S *	9/2015	Guzzone .....	D6/675.4
D754,458	S *	4/2016	Mason .....	D6/675.1
D781,080	S *	3/2017	Jordan .....	D6/675.1
D851,966	S *	6/2019	Olaya .....	D6/675.1
D888,470	S *	6/2020	Denby .....	D6/675.1
10,667,603	B1 *	6/2020	Williams .....	A47B 95/008
D911,082	S *	2/2021	Etgar .....	D6/675.1
2018/0250089	A1 *	9/2018	Gerstner .....	A61B 50/15

\* cited by examiner

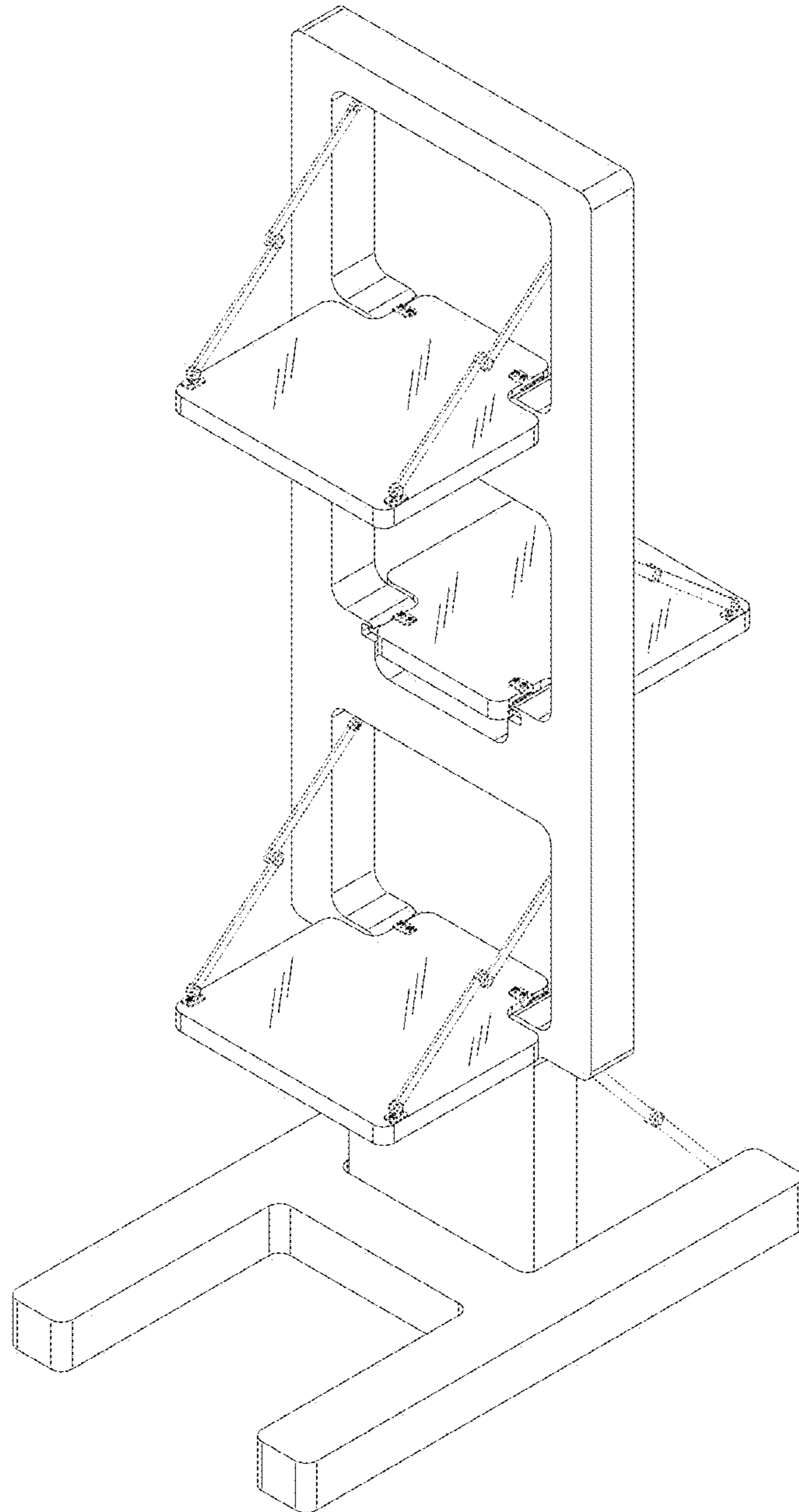


FIG. 1

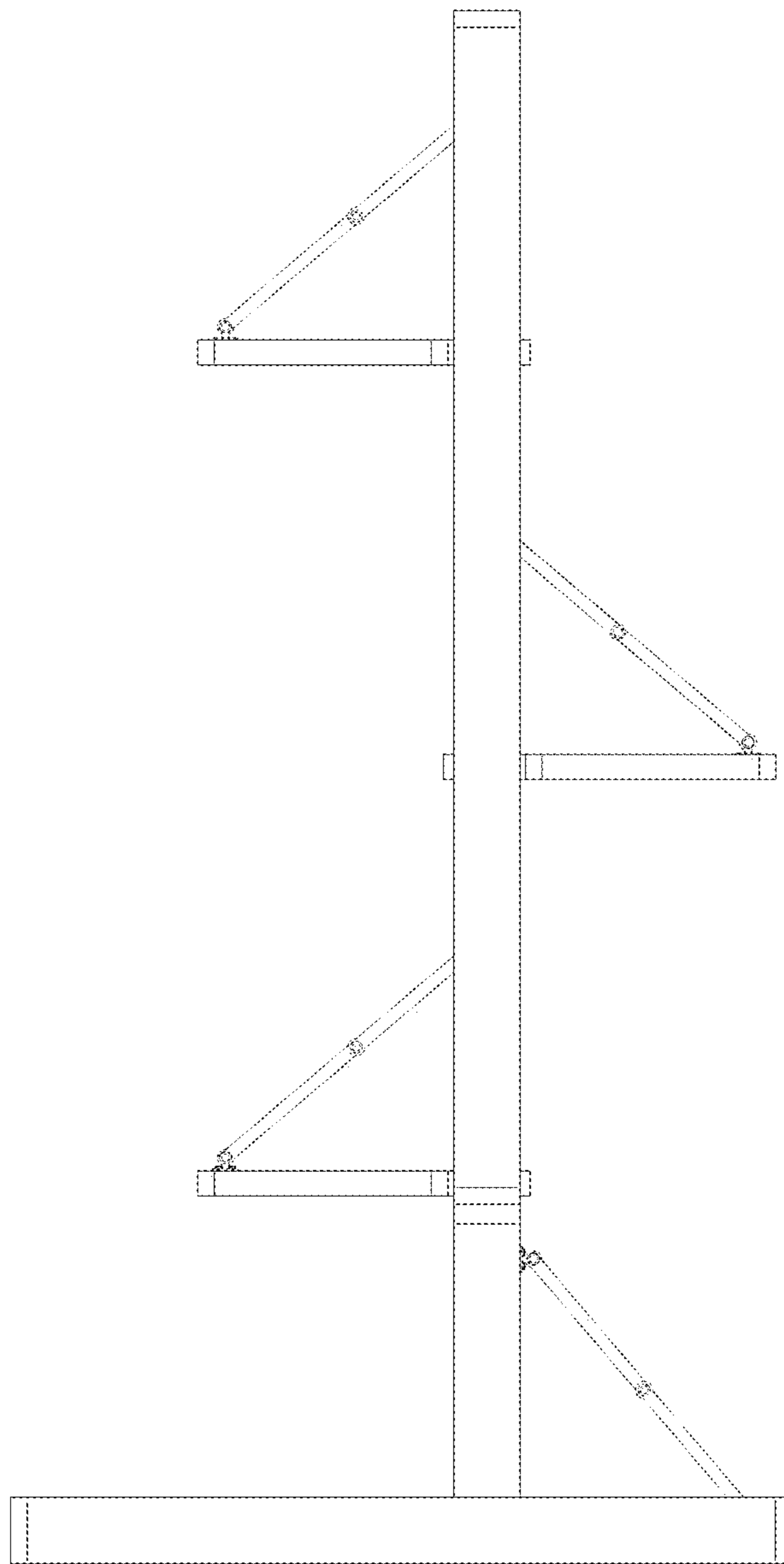


FIG. 2

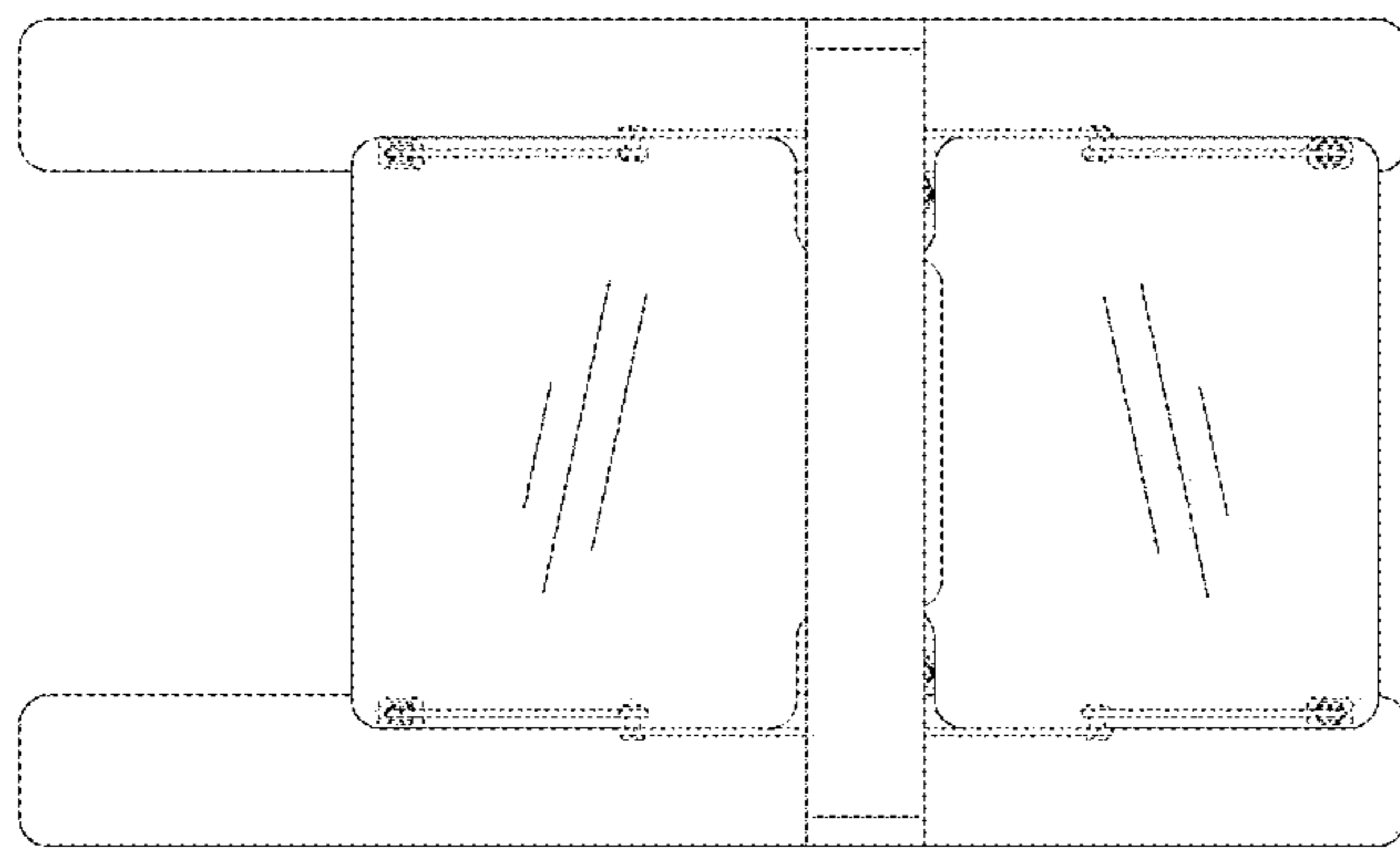


FIG. 3

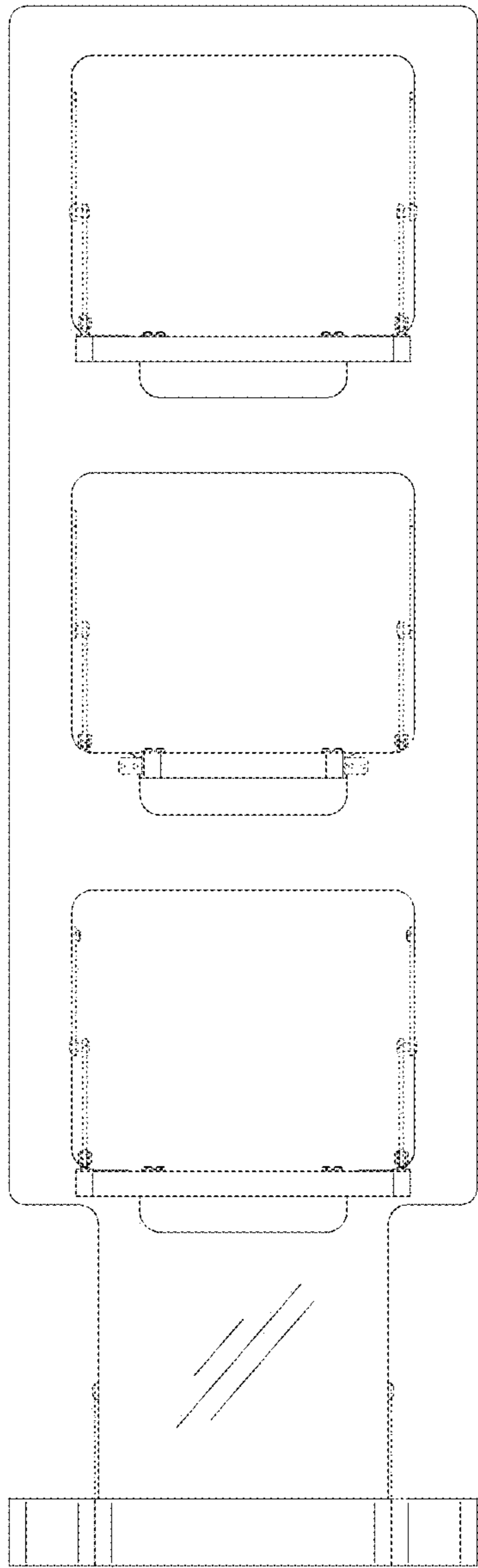


FIG. 4

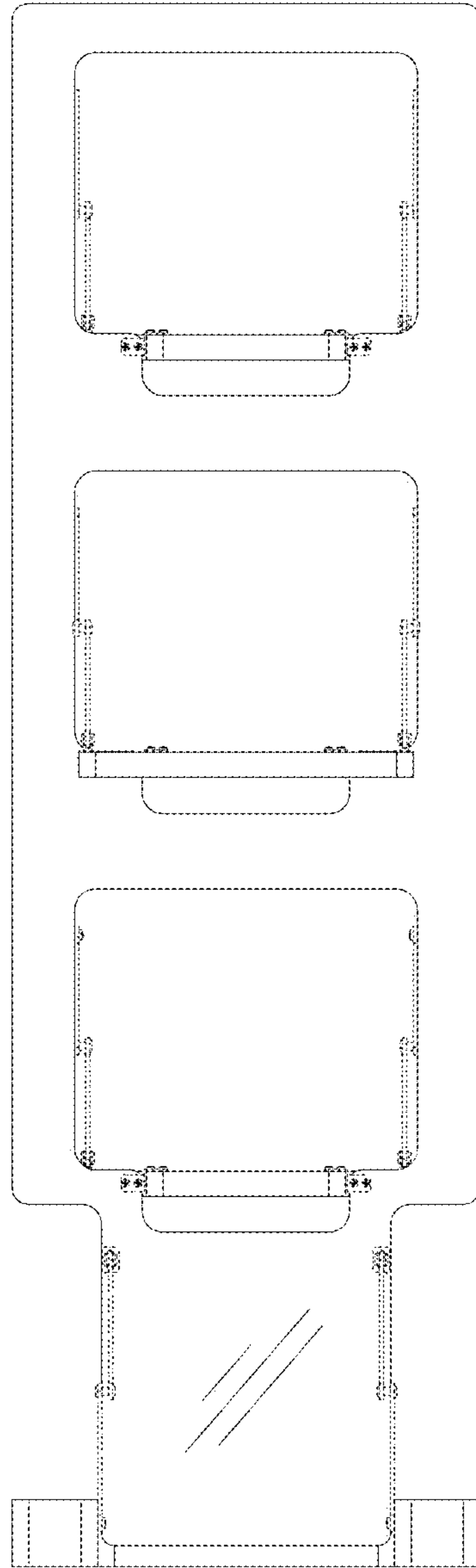


FIG. 5

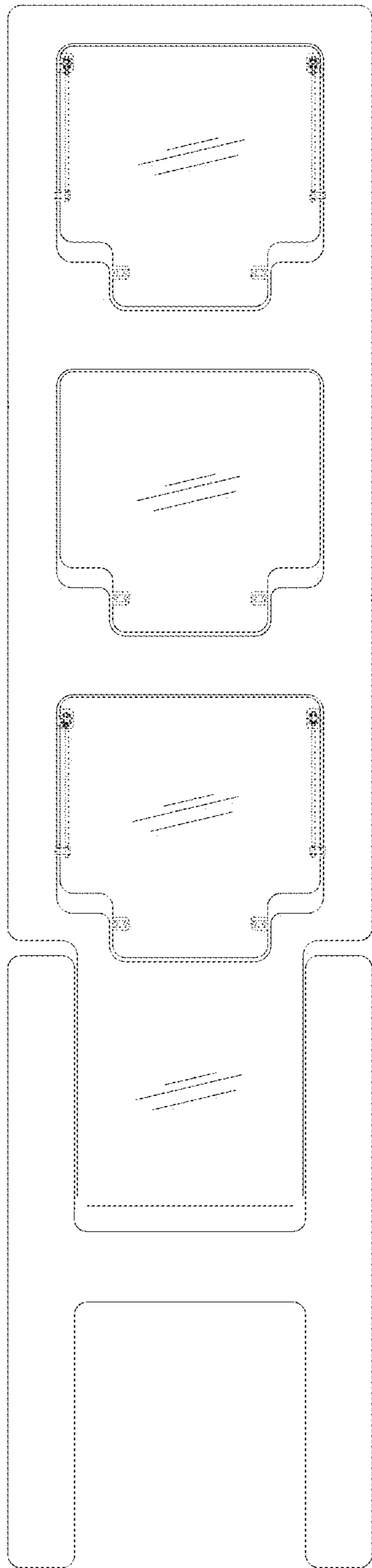


FIG. 6



FIG. 7

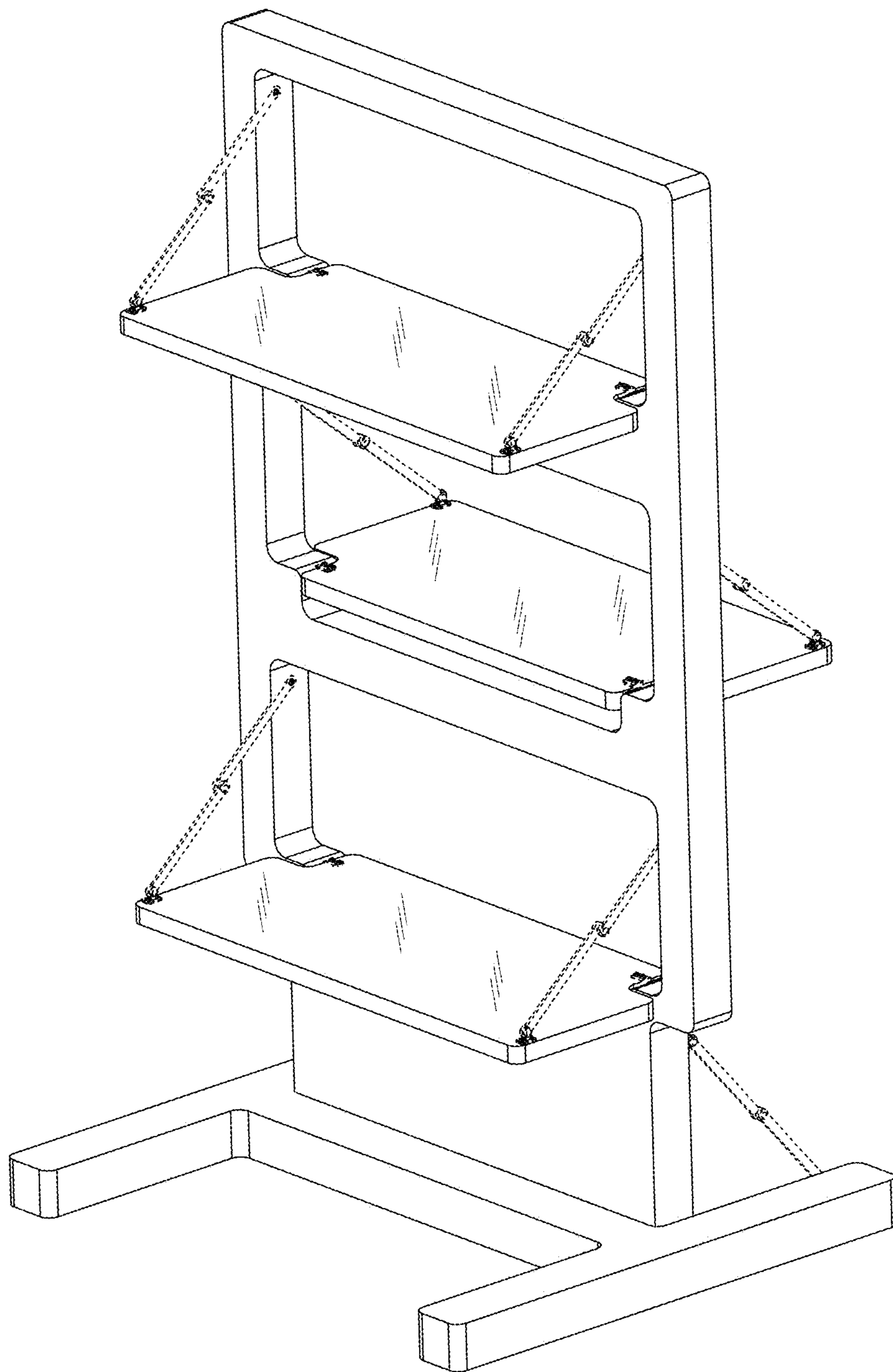


FIG. 8



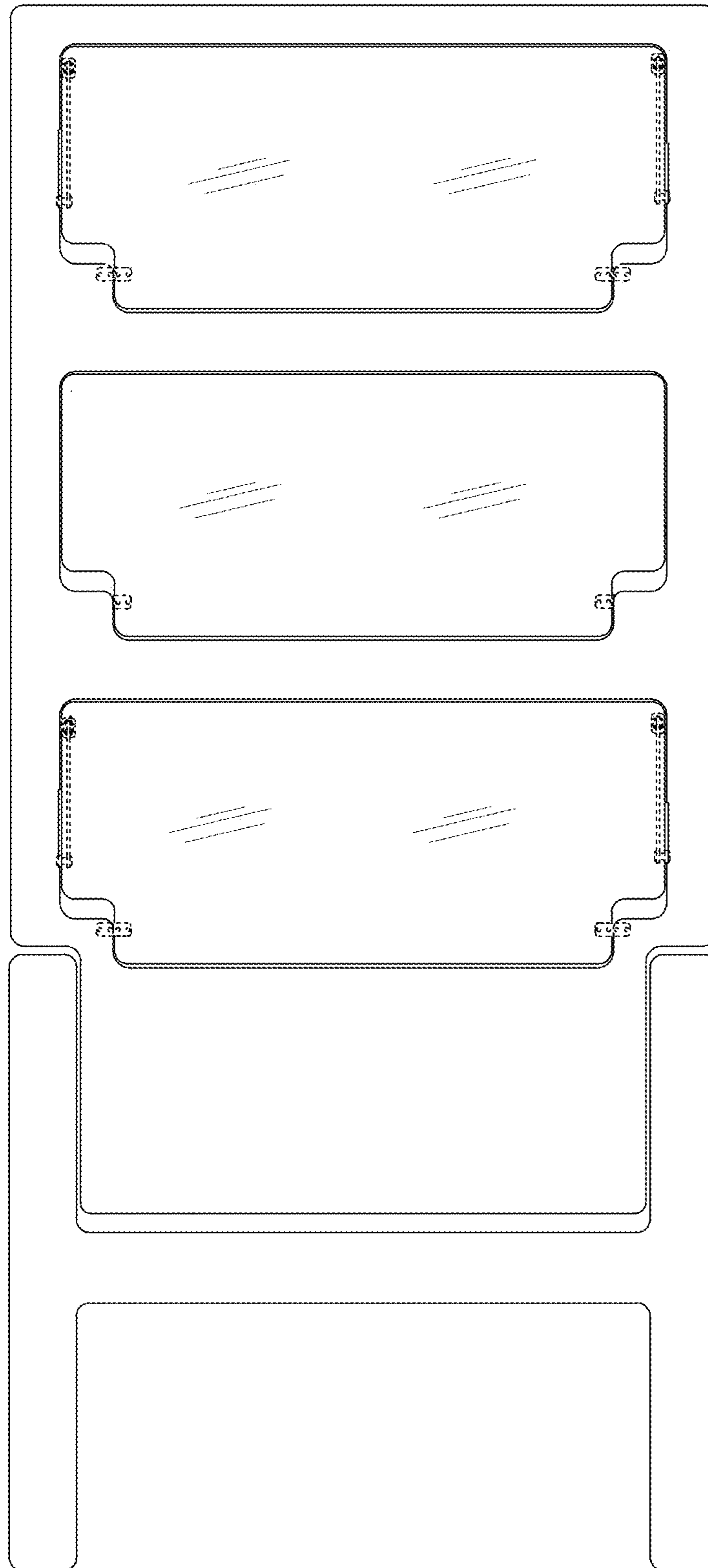


FIG. 9