



US00D930407S

(12) **United States Design Patent** (10) **Patent No.:** **US D930,407 S**
Starling et al. (45) **Date of Patent:** **** Sep. 14, 2021**

(54) **SHELF DISPENSING UNIT**
(71) Applicants: **Eric Starling**, West Chester, OH (US);
Robert Charles Best, Cincinnati, OH
(US); **Matthew D. Bell**, Cincinnati, OH
(US)
(72) Inventors: **Eric Starling**, West Chester, OH (US);
Robert Charles Best, Cincinnati, OH
(US); **Matthew D. Bell**, Cincinnati, OH
(US)
(73) Assignee: **APEX INDUSTRIAL
TECHNOLOGIES**, Mason, OH (US)
(**) Term: **15 Years**
(21) Appl. No.: **29/754,026**
(22) Filed: **Oct. 6, 2020**

D292,255 S 10/1987 Winzeler, III
D361,228 S 8/1995 Hassel
D366,791 S * 2/1996 Grosfillex D6/709
D377,128 S 1/1997 Baker
D377,428 S 1/1997 Rossdeutscher
D393,513 S 4/1998 van de Oudeweetering
D415,371 S * 10/1999 Lewis D6/691
D416,148 S * 11/1999 Pagnon D6/691
D451,306 S 12/2001 Dow
D477,931 S * 8/2003 Chang D6/655.19
D484,337 S * 12/2003 Risdon D6/708
D508,344 S * 8/2005 Hwang D6/653
D532,630 S * 11/2006 Rizzi D6/708
D552,383 S * 10/2007 Glebe D6/312
D557,529 S * 12/2007 Cheng D6/708
D557,944 S * 12/2007 Cheng D6/708
D569,126 S * 5/2008 Sexton D6/655.22
D569,132 S * 5/2008 Sexton D6/656.18
D573,366 S * 7/2008 Sexton D6/648
D573,376 S * 7/2008 Muller D6/708
D578,323 S * 10/2008 Muller D6/708
D589,656 S * 3/2009 Toltzman D30/118

(Continued)

Related U.S. Application Data

(62) Division of application No. 29/691,664, filed on May
17, 2019, now Pat. No. Des. 901,215.
(51) **LOC (13) Cl.** **06-06**
(52) **U.S. Cl.**
USPC **D6/675.1**
(58) **Field of Classification Search**
USPC D6/672-673, 675-675.1, 698, 702, 708,
D6/709; D34/12, 14, 17, 21, 23, 26
CPC A47B 63/04; A47B 57/00; A47B 61/02;
A47F 1/00; A47F 1/04; A47F 1/06; A47F
5/00; A47F 5/0018; A47F 5/0043; A47F
7/00
See application file for complete search history.

References Cited

U.S. PATENT DOCUMENTS

D261,342 S * 10/1981 Frye D6/708
D280,686 S * 9/1985 Kramer D6/691.7

Primary Examiner — Kelley A Donnelly

(74) *Attorney, Agent, or Firm* — Thompson Hine LLP

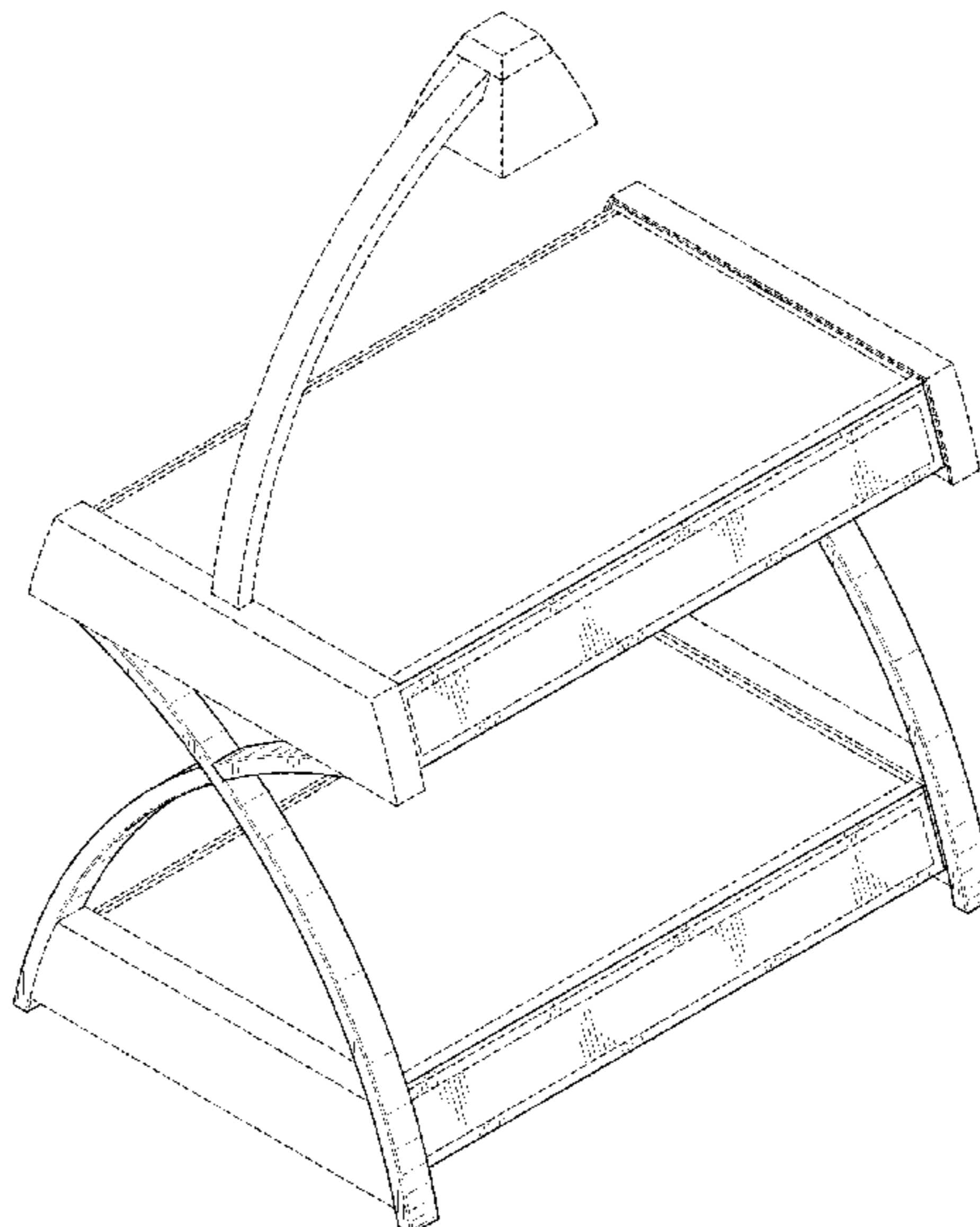
(57) **CLAIM**

The ornamental design for shelf dispensing unit, as shown
and described.

DESCRIPTION

FIG. 1 is a perspective view of the design;
FIG. 2 is a front view of the design of FIG. 1;
FIG. 3 is a back view of the design of FIG. 1;
FIG. 4 is a first side view of the design of FIG. 1;
FIG. 5 is a second side view of the design of FIG. 1; and,
FIG. 6 is a top view of the design of FIG. 1.
In the drawings, the broken lines depict environmental
subject matter only and form no part of the claimed design.

1 Claim, 6 Drawing Sheets



(56)

References Cited

U.S. PATENT DOCUMENTS

D598,674	S	8/2009	Frank	
D598,676	S *	8/2009	Sexton	D6/648
D604,066	S *	11/2009	Muller	D6/708
D609,933	S *	2/2010	Skalka	D6/381
D617,116	S *	6/2010	Sexton	D6/648.4
D617,361	S	6/2010	Simonsen	
D618,011	S *	6/2010	Sexton	D6/653.22
D620,284	S	7/2010	Zambelli	
D633,734	S *	3/2011	Sexton	D6/709
D640,824	S *	6/2011	Wang	D26/107
D702,468	S *	4/2014	Pedersen	D6/708
D716,596	S *	11/2014	Pedersen	D6/708
8,931,750	B2 *	1/2015	Kohl	B60N 2/505 248/588
D724,871	S *	3/2015	Davis	D6/691
D726,464	S *	4/2015	Lin	D6/709
D726,466	S *	4/2015	Lin	D6/709
D737,526	S *	8/2015	Hong	D30/118
9,326,598	B1 *	5/2016	West	A47B 3/02
D781,080	S	3/2017	Jordan	
D781,090	S *	3/2017	Chalmers	D6/708
D795,616	S	8/2017	Muller	
D834,860	S	12/2018	McKenna	
10,244,861	B1 *	4/2019	Poniatowski	A47B 9/16
D848,194	S *	5/2019	Furuland	D6/718
D870,501	S *	12/2019	Jiang	D6/709.22
D880,471	S	4/2020	Yoo	
D901,959	S *	11/2020	Chang	D6/709
D906,004	S	12/2020	Yim et al.	
D906,005	S	12/2020	Bell et al.	
D906,025	S	12/2020	Bell et al.	
2017/0174486	A1 *	6/2017	Kochie	B66F 7/065

* cited by examiner

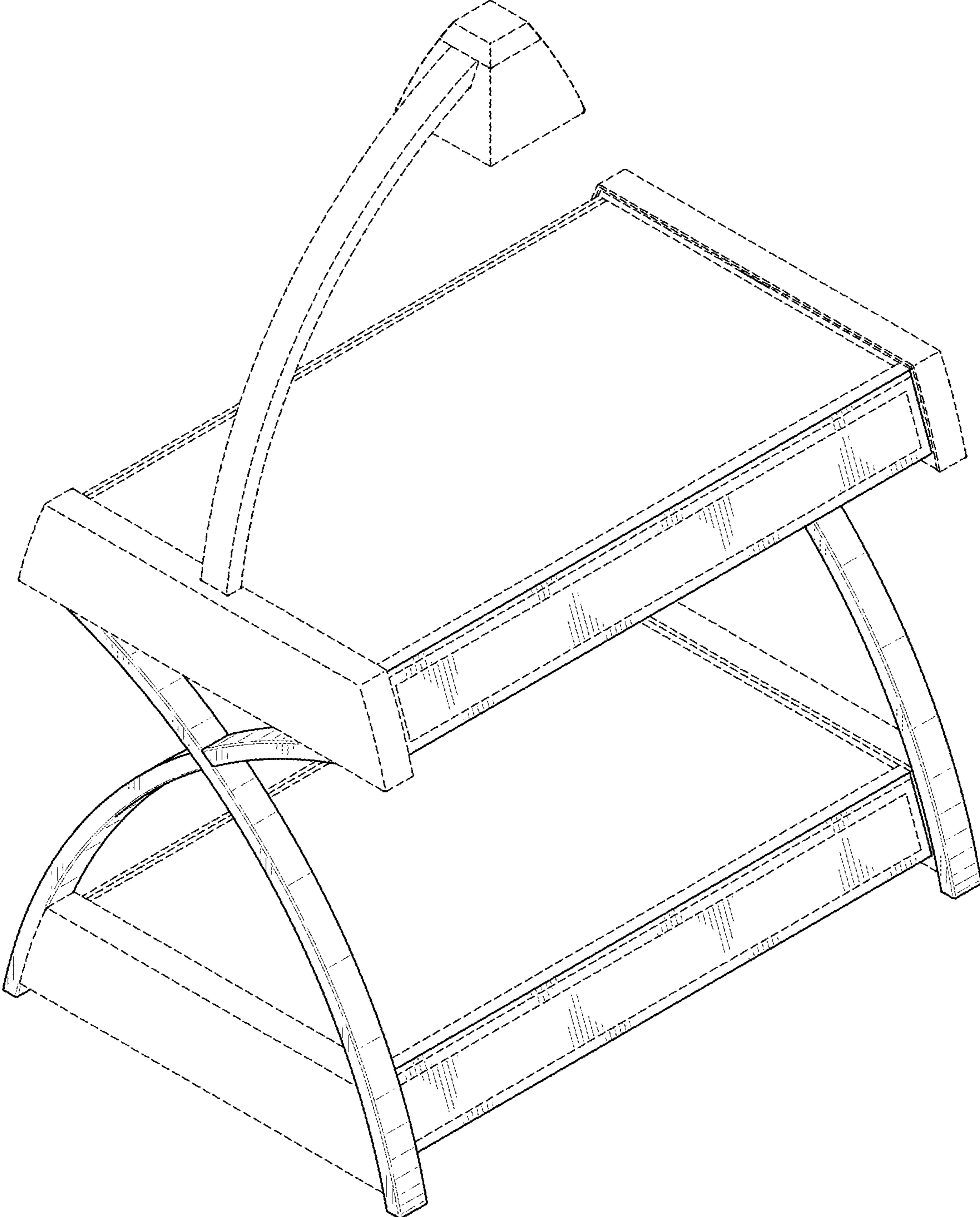


FIG. 1

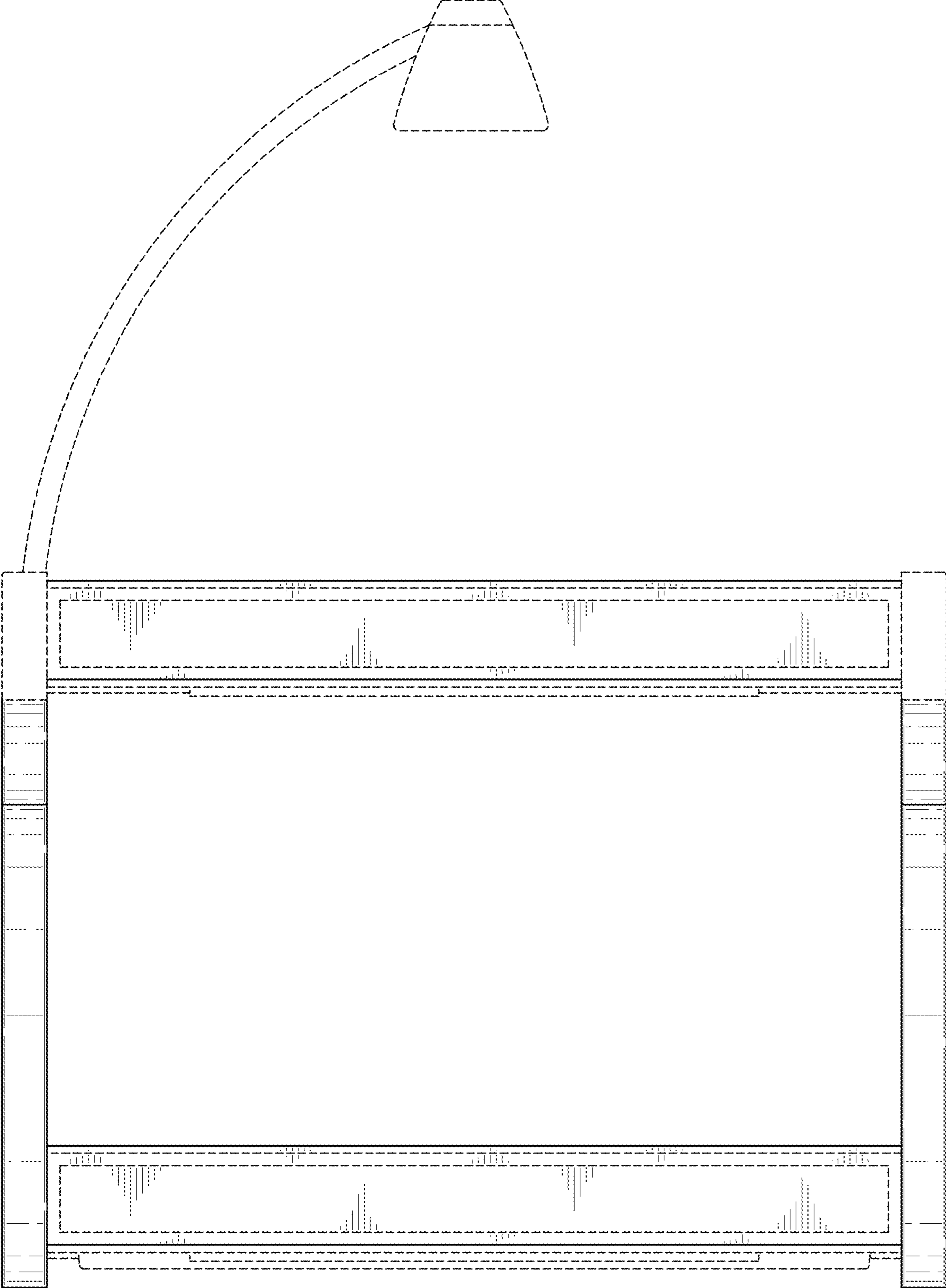


FIG. 2

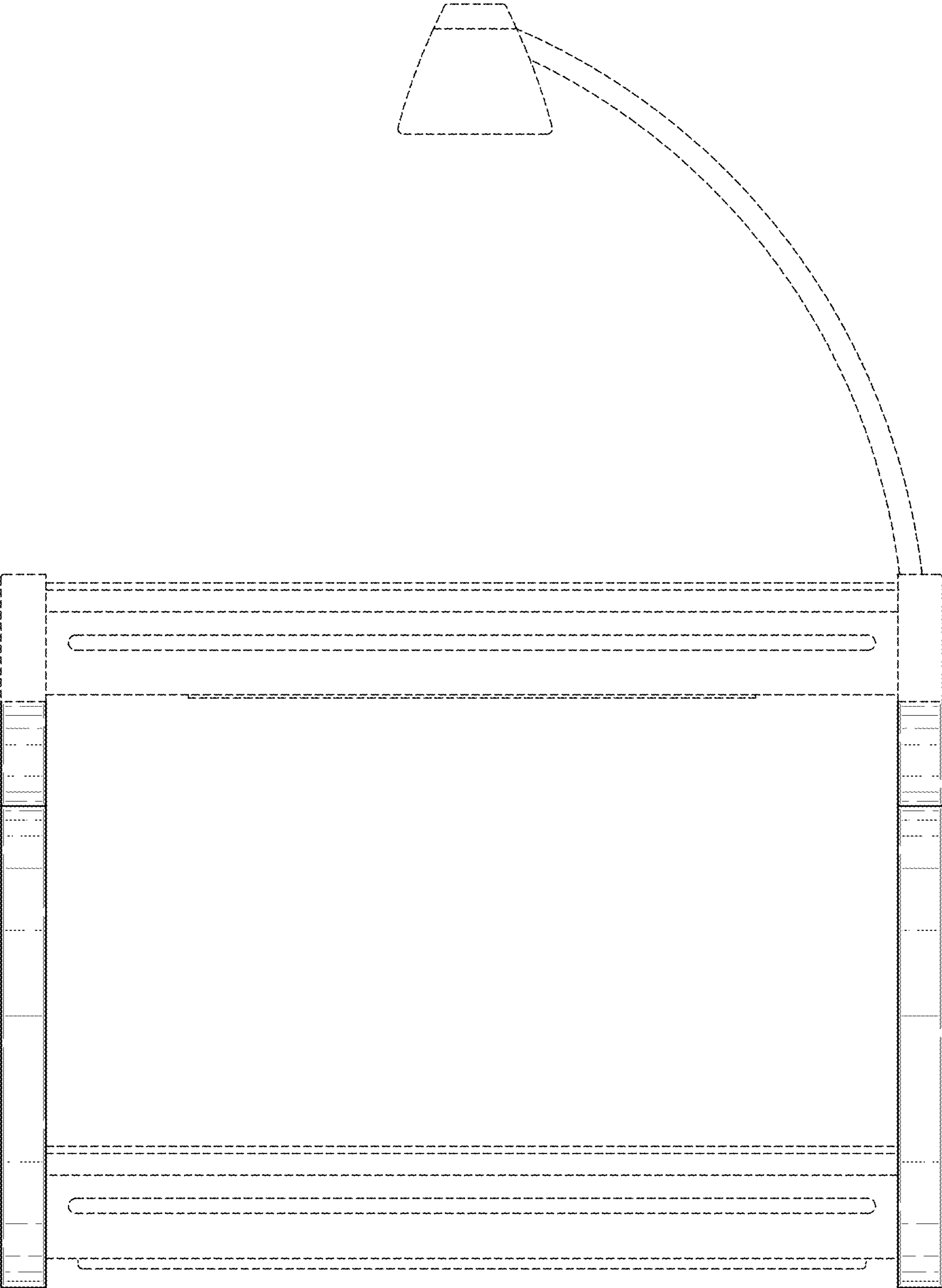


FIG. 3

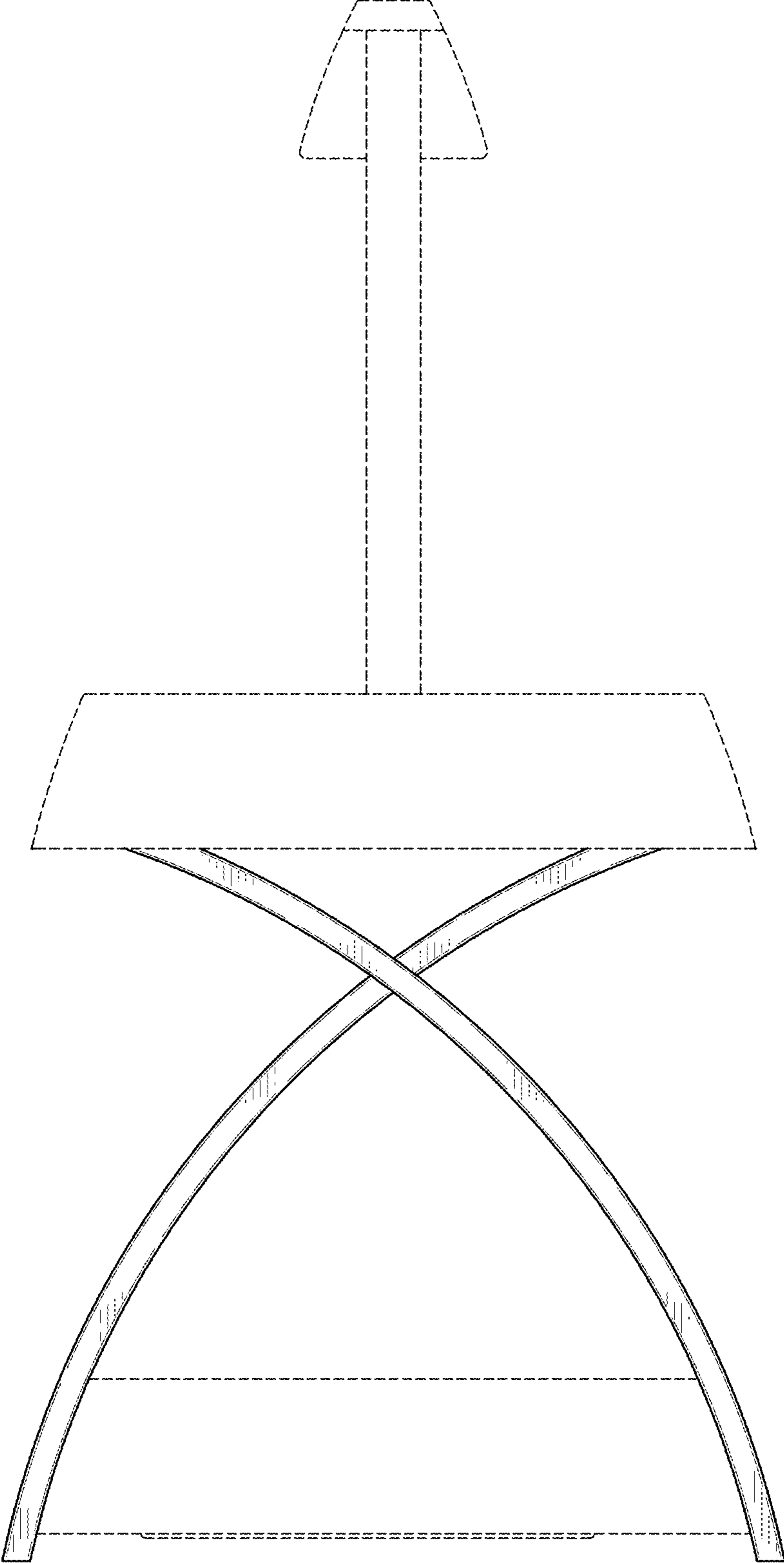


FIG. 4

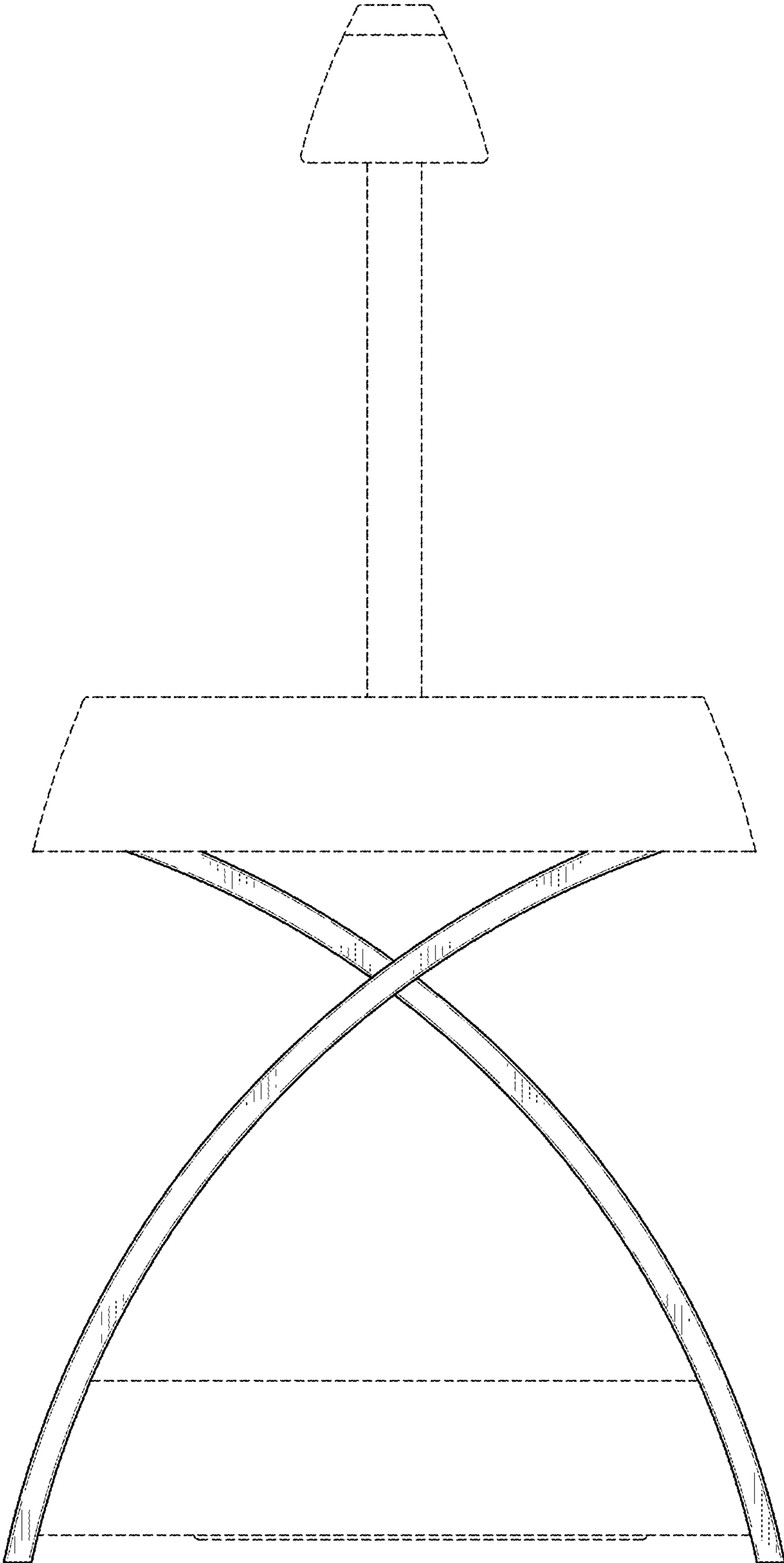


FIG. 5

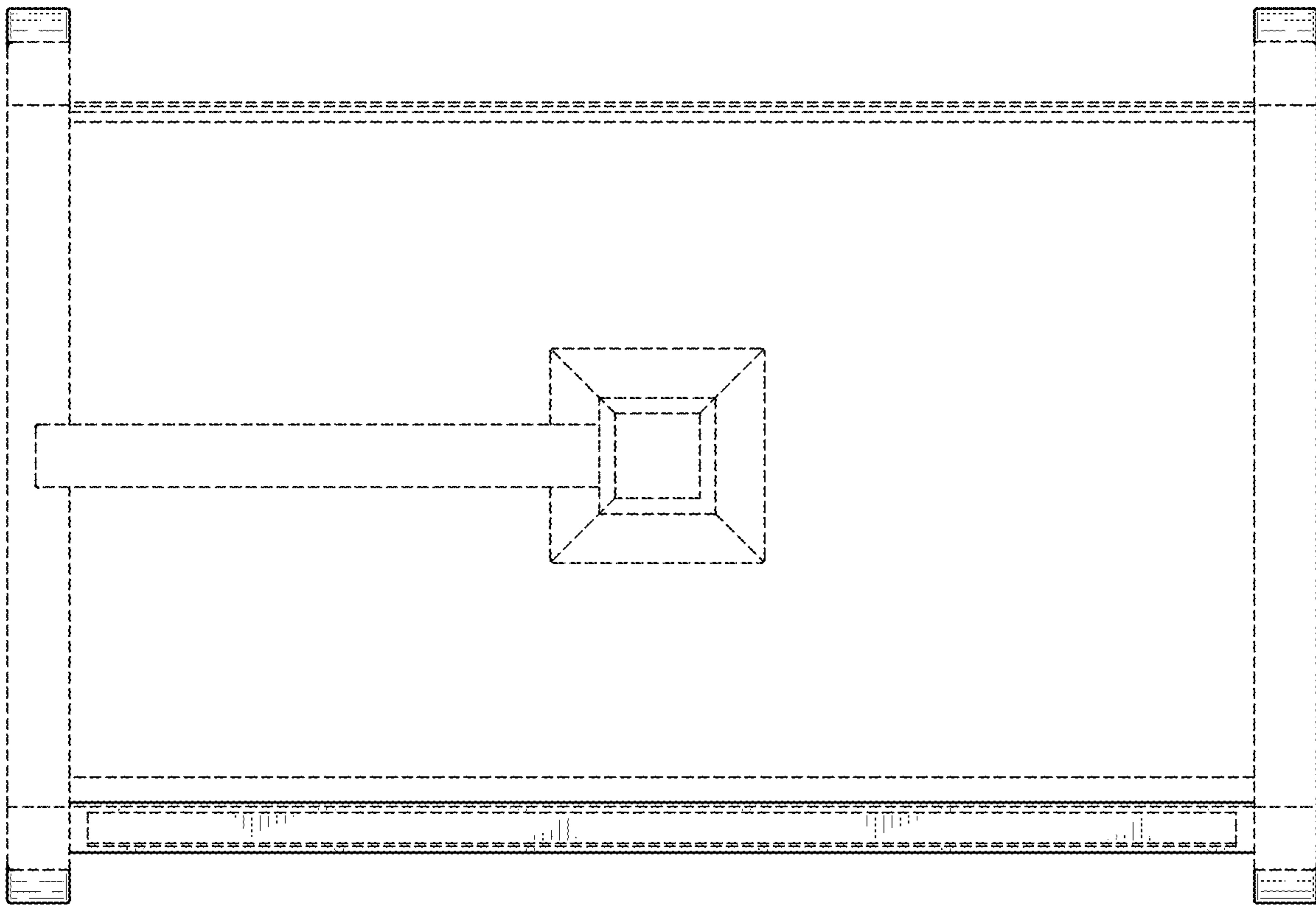


FIG. 6