



US00D930406S

(12) **United States Design Patent** (10) **Patent No.:** **US D930,406 S**  
**Li** (45) **Date of Patent:** **\*\* Sep. 14, 2021**

- (54) **SHELF**
- (71) Applicant: **39F USA INC**, Rancho Cucamonga, CA (US)
- (72) Inventor: **Yuehai Li**, Rancho Cucamonga, CA (US)
- (\*\*) Term: **15 Years**
- (21) Appl. No.: **29/727,057**
- (22) Filed: **Mar. 8, 2020**
- (51) **LOC (13) Cl.** ..... **06-06**
- (52) **U.S. Cl.**  
USPC ..... **D6/675.1**
- (58) **Field of Classification Search**  
USPC ..... D6/675, 675.1, 675.2, 672, 673  
CPC ..... A47F 1/00; A47F 5/0018; A47F 5/0043;  
A47B 96/00; A47B 96/02  
See application file for complete search history.

D771,418 S *	11/2016	Merritt	.....	D6/675.1
D783,320 S *	4/2017	Merritt	.....	D6/675.1
D819,373 S *	6/2018	Massaud	.....	D6/675.1
D834,357 S *	11/2018	Massaud	.....	D6/675.1
D866,055 S *	11/2019	Chew	.....	D26/106
D903,386 S *	12/2020	Smrstick	.....	D6/675.1
D915,801 S *	4/2021	Davis	.....	D6/675.1
2004/0221772 A1 *	11/2004	Narkis	.....	A47B 57/588 108/60
2015/0335152 A1 *	11/2015	Buettner	.....	A47B 43/00 211/69
2016/0007742 A1 *	1/2016	Yang	.....	A47B 61/00 211/123

\* cited by examiner

*Primary Examiner* — Kelley A Donnelly  
(74) *Attorney, Agent, or Firm* — Feng Qian

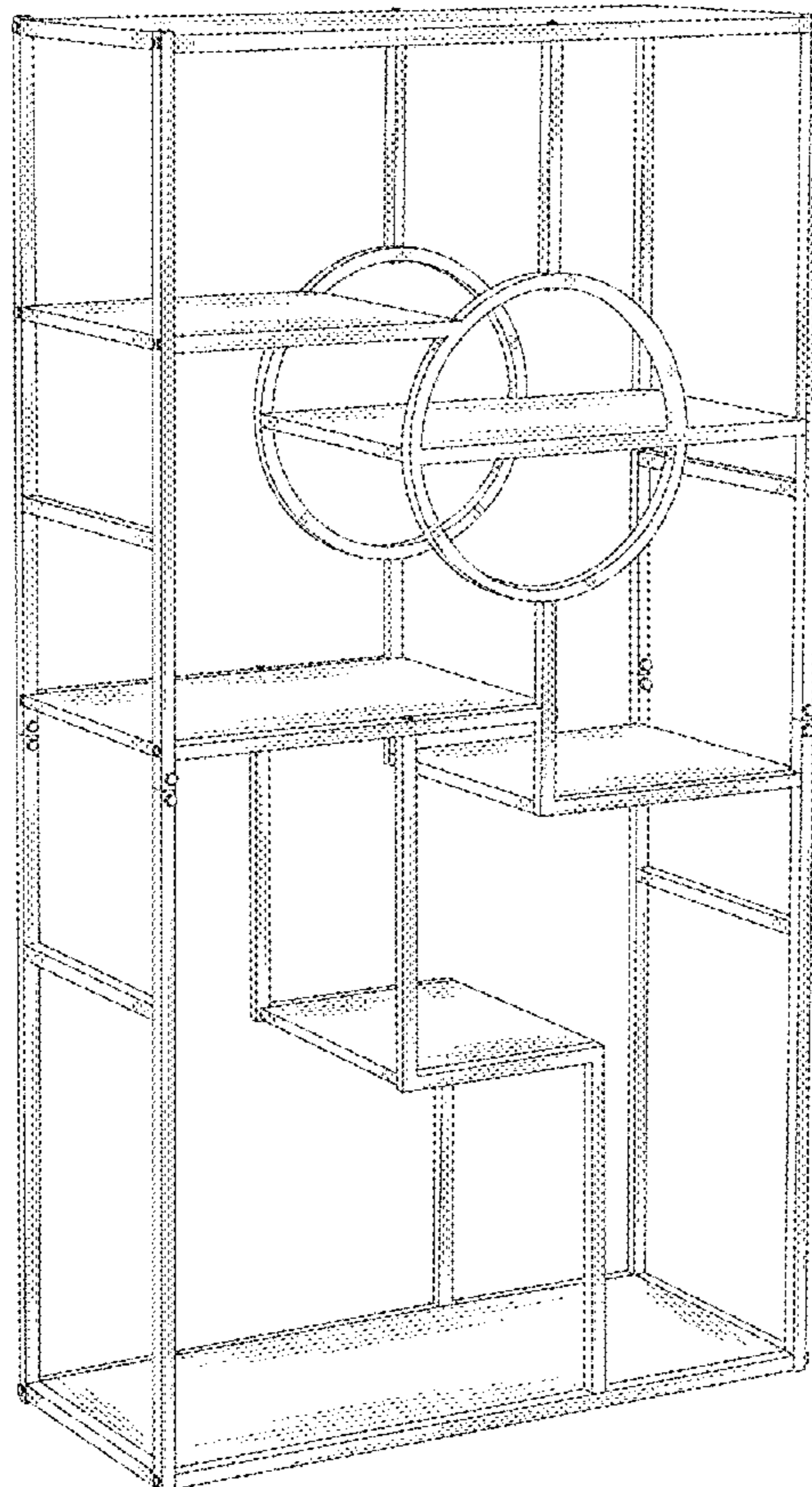
(57) **CLAIM**  
The ornamental design for a shelf, as shown and described.

**DESCRIPTION**

FIG. 1 is a front perspective view of a shelf showing my new design;  
FIG. 2 is a front elevation view thereof;  
FIG. 3 is a rear elevation view thereof;  
FIG. 4 is a left-side elevation view thereof;  
FIG. 5 is a right-side elevation view thereof;  
FIG. 6 is a top plan view thereof; and,  
FIG. 7 is a rear plan view thereof.

**1 Claim, 7 Drawing Sheets**

- (56) **References Cited**  
U.S. PATENT DOCUMENTS  
D247,273 S \* 2/1978 Peters ..... D6/571  
D263,359 S \* 3/1982 Parrish, III ..... D6/661  
D479,925 S \* 9/2003 Hsieh ..... D6/675.1  
D713,660 S \* 9/2014 Weatherly ..... D6/675.1  
D734,068 S \* 7/2015 Dworman ..... D6/662.1  
D766,626 S \* 9/2016 Peden ..... D6/675.3



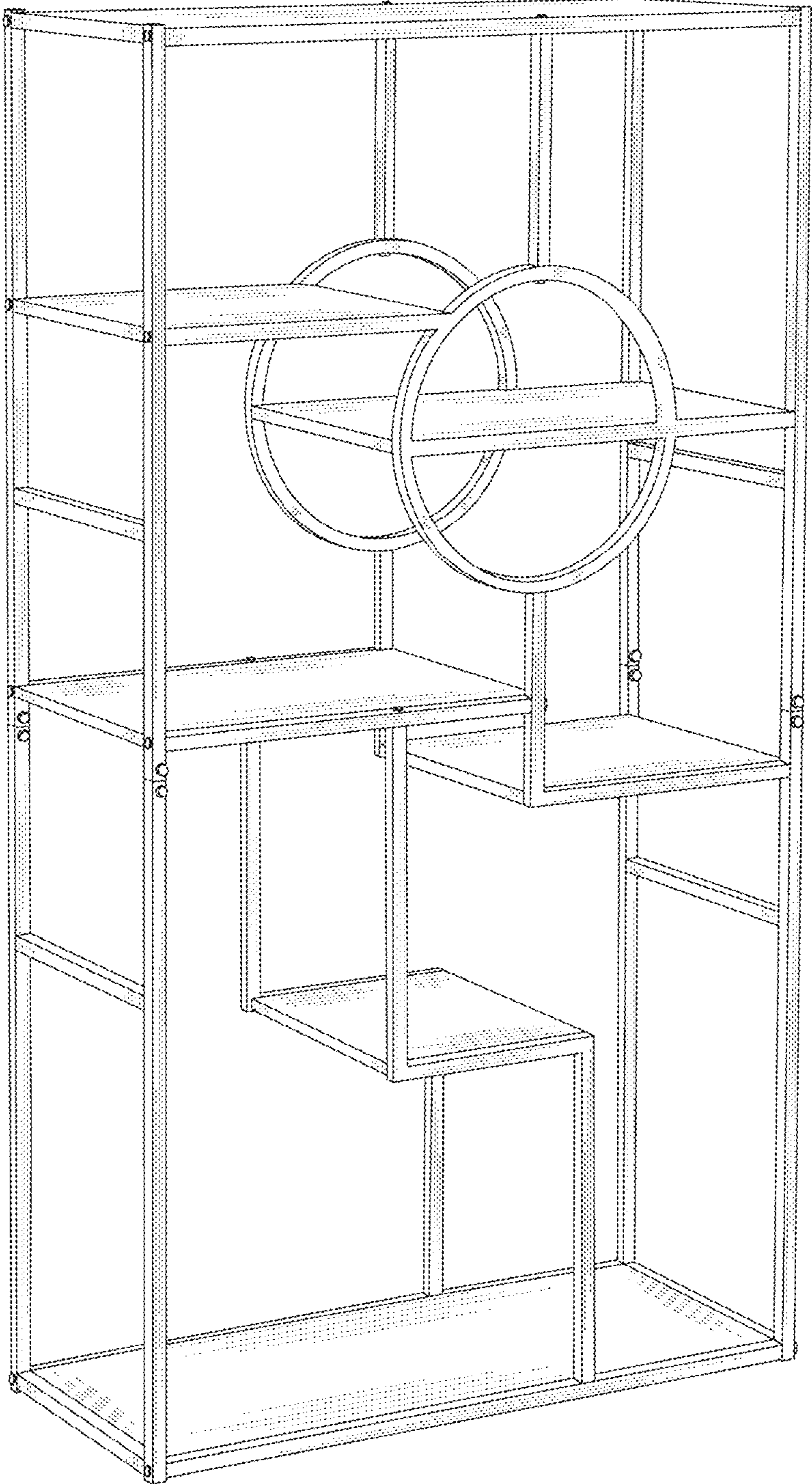


Fig.1

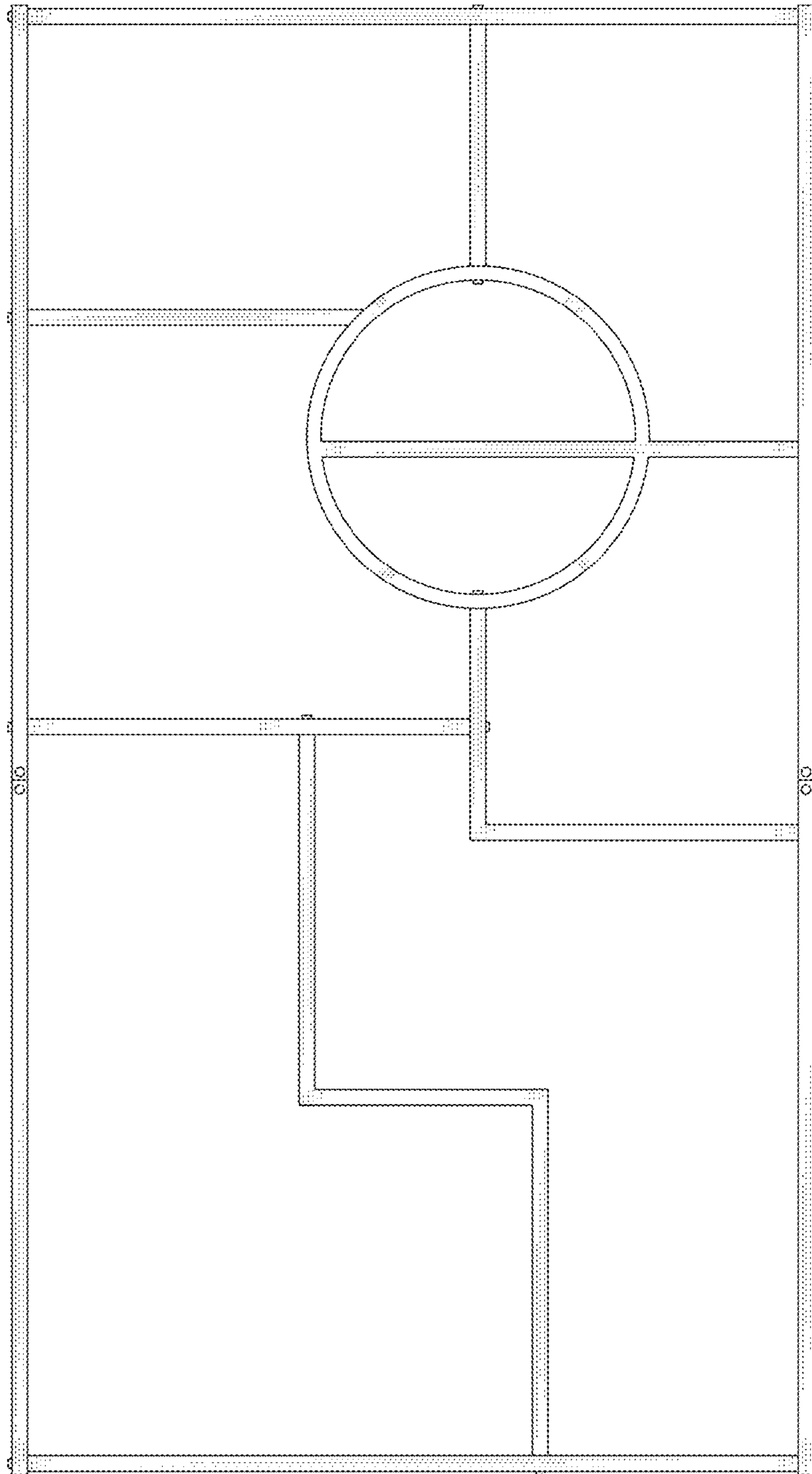


Fig.2

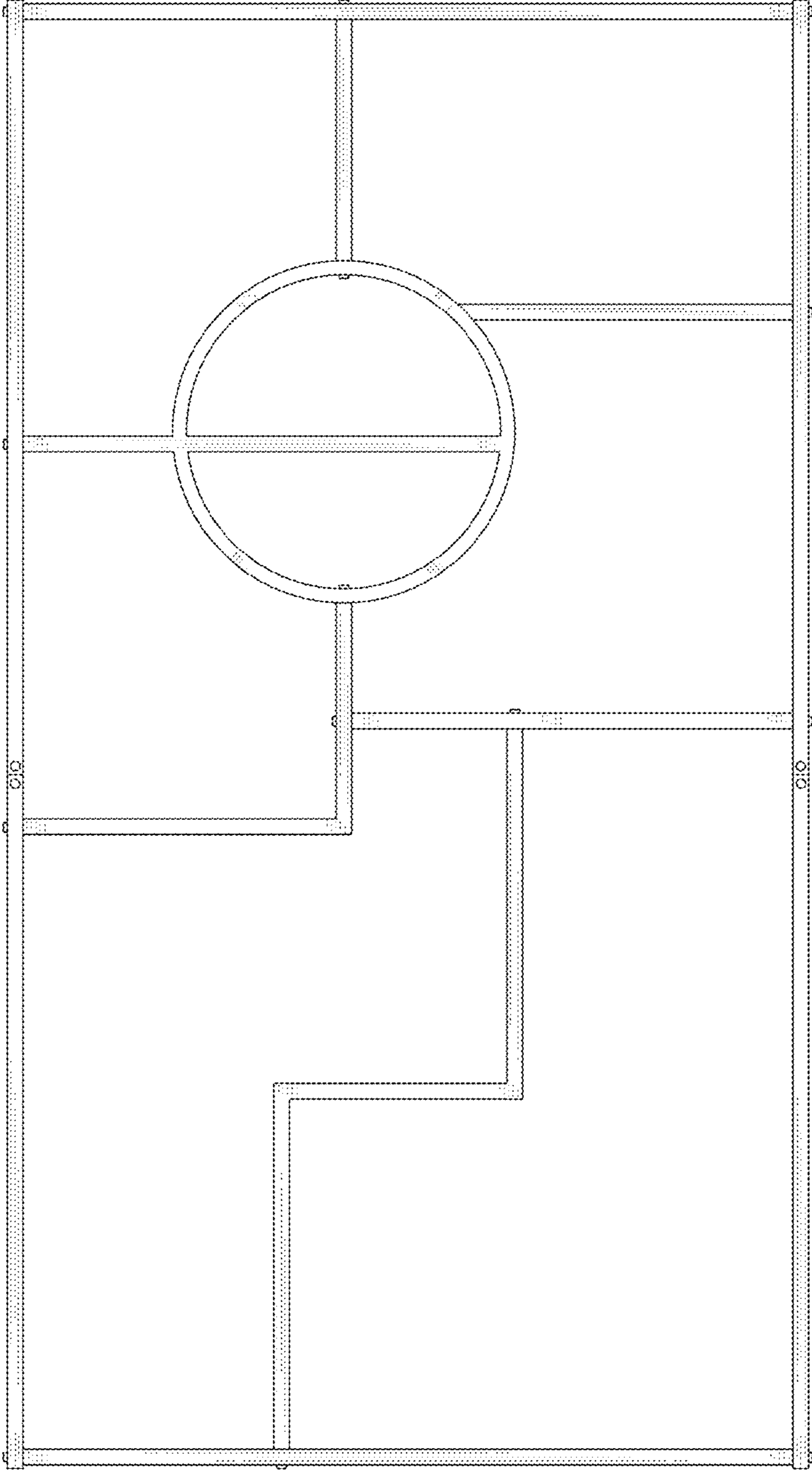


Fig.3

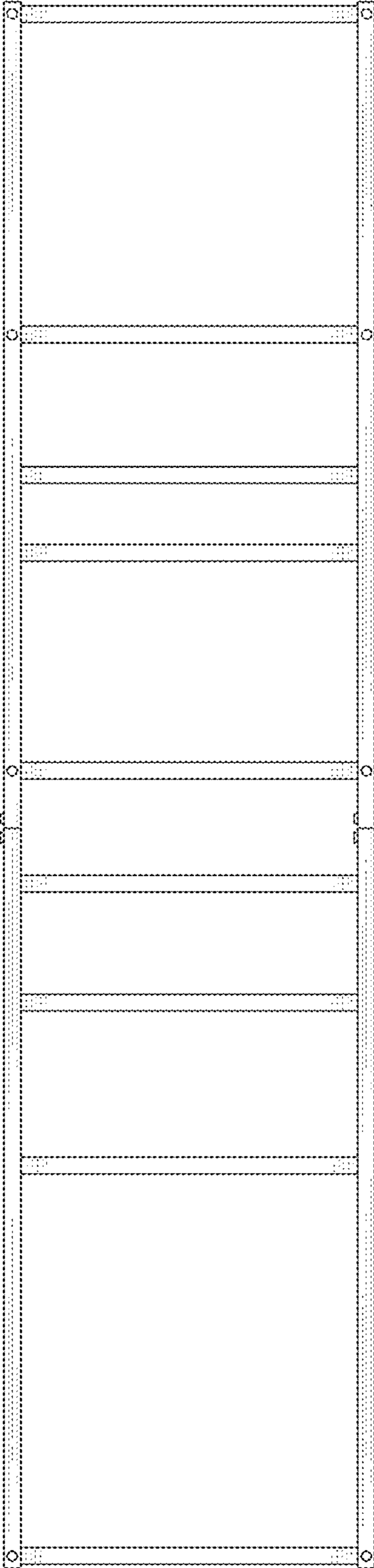


Fig.4

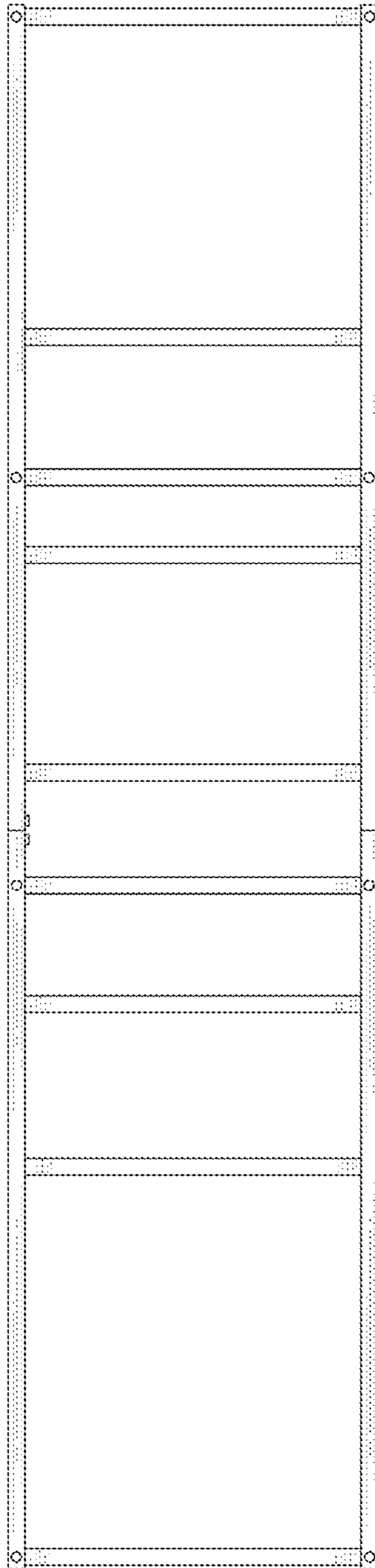


Fig.5

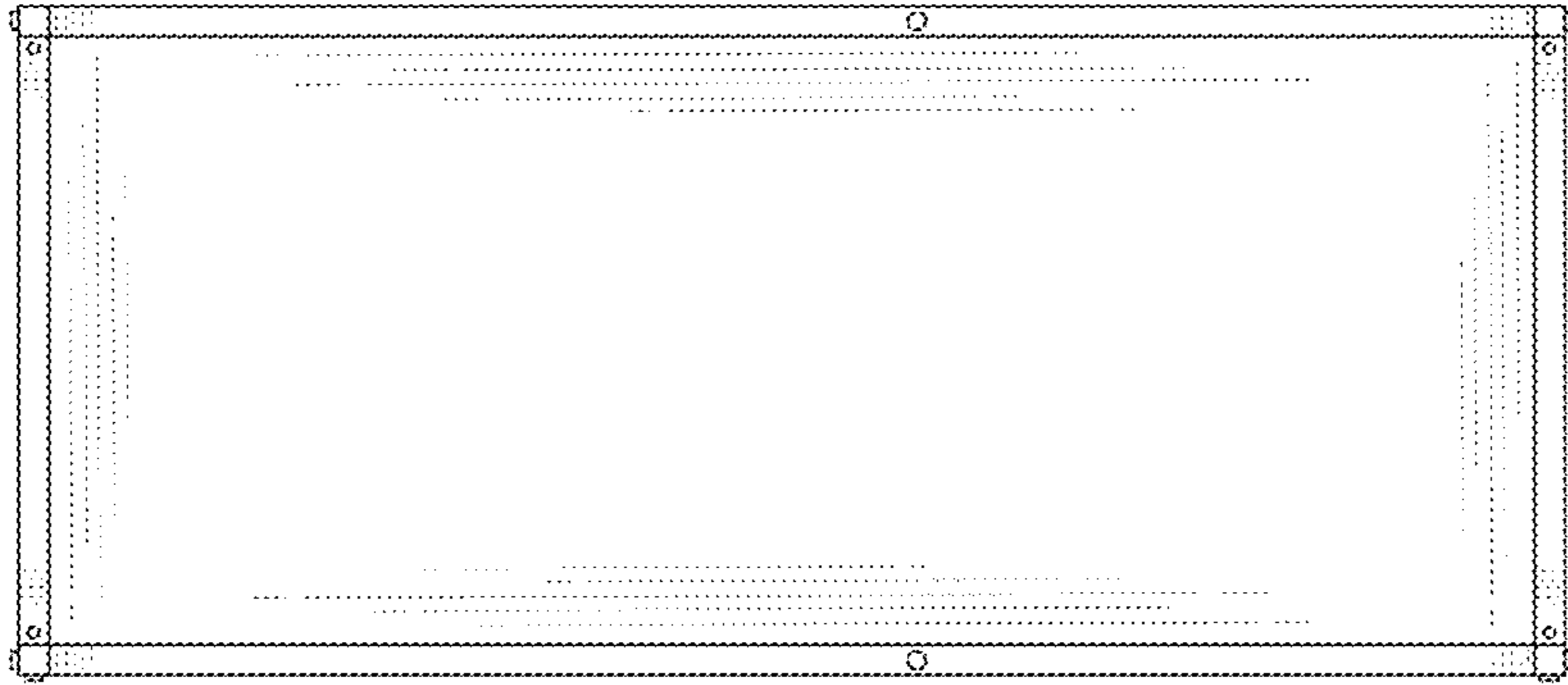


Fig.6

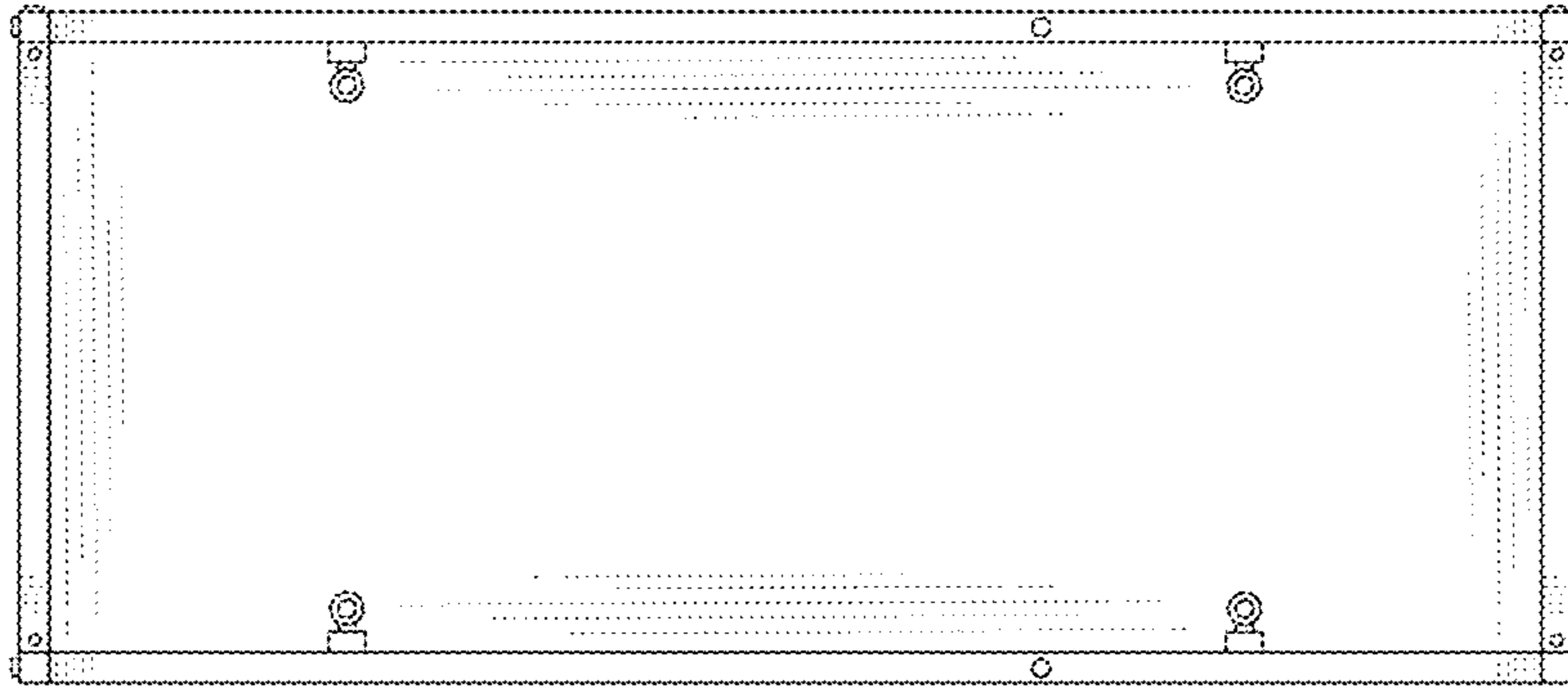


Fig.7