



US00D930405S

(12) **United States Design Patent** (10) **Patent No.:** **US D930,405 S**  
**Brugger et al.** (45) **Date of Patent:** **\*\* Sep. 14, 2021**

(54) **RETAIL FIXTURE**

(56) **References Cited**

(71) Applicant: **Apple Inc.**, Cupertino, CA (US)

U.S. PATENT DOCUMENTS

(72) Inventors: **Alice Marlin Brugger**, San Francisco, CA (US); **Manuel DeJesus**, San Francisco, CA (US); **Joshua Robert Edwards**, Santa Cruz, CA (US); **Jean-Marc Gady**, Los Altos, CA (US); **Wesley Bryan Hamm**, San Francisco, CA (US); **Russell John Kaaihue Heirakuji**, Cupertino, CA (US); **Allison Inouye**, San Francisco, CA (US); **Moritz Wilsberg**, Rheinbreitbach (DE)

D250,868 S \* 1/1979 Ornatek ..... D6/671.3  
D584,902 S \* 1/2009 Neff ..... D6/657  
D590,630 S \* 4/2009 Singler ..... D6/663  
D661,124 S \* 6/2012 Curbbun ..... D6/675  
D679,521 S \* 4/2013 Hamm ..... D6/672

(Continued)

*Primary Examiner* — Kelley A Donnelly  
(74) *Attorney, Agent, or Firm* — Sterne, Kessler, Goldstein & Fox P.L.L.C.

(73) Assignee: **Apple Inc.**, Cupertino, CA (US)

(57) **CLAIM**

The ornamental design for a retail fixture, as shown and described.

(\*\*) Term: **15 Years**

**DESCRIPTION**

(21) Appl. No.: **29/759,216**

The file of this patent contains at least one drawing/photograph executed in color. Copies of this patent with color drawing(s)/photograph(s) will be provided by the Office upon request and payment of the necessary fee.

(22) Filed: **Nov. 20, 2020**

FIG. 1 is a top front perspective view of a retail fixture showing the claimed design;

**Related U.S. Application Data**

(63) Continuation of application No. 29/738,126, filed on Jun. 15, 2020, now Pat. No. Des. 904,083, which is a continuation of application No. 29/655,973, filed on Jul. 9, 2018, now Pat. No. Des. 887,185.

FIG. 2 is a front view thereof;

(51) **LOC (13) Cl.** ..... **06-06**

FIG. 3 is a rear view thereof;

(52) **U.S. Cl.**  
USPC ..... **D6/675**

FIG. 4 is a left side view thereof;

(58) **Field of Classification Search**  
USPC ..... D6/672, 675, 675.1, 678, 678.1, 682, D6/682.3, 682.4, 683, 683.1  
CPC ..... A47B 47/00; A47B 47/04; A47B 55/00; A47F 5/00; A47F 5/0018; A47F 5/0043  
See application file for complete search history.

FIG. 5 is a right side view thereof

FIG. 6 is a top view thereof; and,

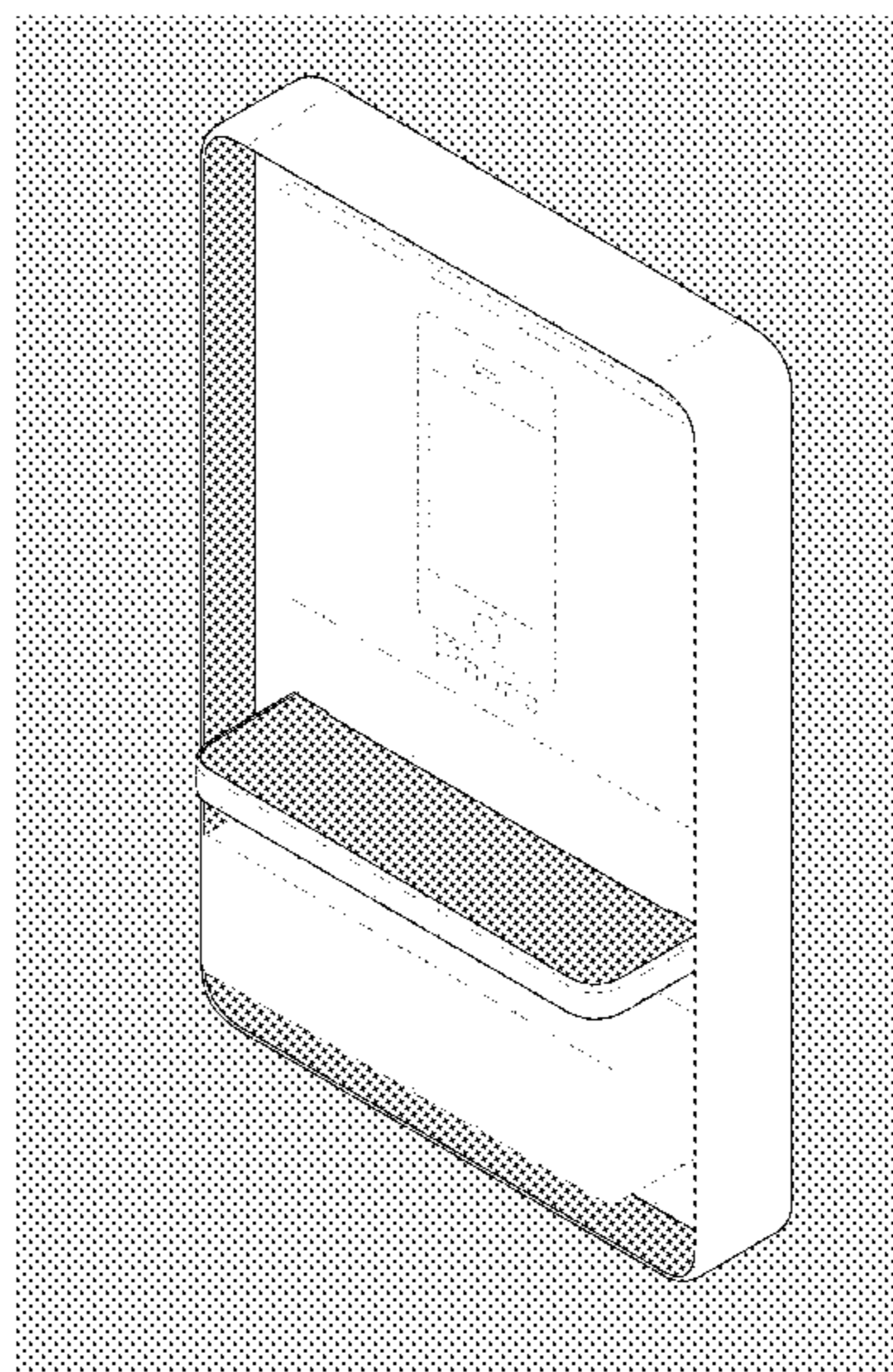
FIG. 7 is a bottom view thereof.

The broken lines in the figures show portions of the retail fixture that form no part of the claimed design.

The figures are illustrated to show color. The colored portions and the white claimed portions of the retail fixture have an appearance as shown. The appearance of the white unclaimed portions of the retail fixture forms no part of the claimed design.

The gray background in the figures is used to better illustrate the colored appearance of the retail fixture. The gray background itself forms no part of the claimed design.

**1 Claim, 5 Drawing Sheets**  
**(2 of 5 Drawing Sheet(s) Filed in Color)**



(56)

References Cited

U.S. PATENT DOCUMENTS

D684,792	S	*	6/2013	Kikkert	.....	D6/674
D685,205	S	*	7/2013	Kikkert	.....	D6/674
D713,658	S	*	9/2014	Tio	.....	D6/675
D725,947	S	*	4/2015	Tio	.....	D6/675.1
D734,965	S	*	7/2015	Tio	.....	D6/675
D758,106	S	*	6/2016	Hamm	.....	D6/672
D764,840	S	*	8/2016	Pinna	.....	D6/672
D769,651	S	*	10/2016	Tio	.....	D6/675
D770,203	S	*	11/2016	Thaler	.....	D6/673
D777,478	S	*	1/2017	Krauss	.....	D6/675
D779,240	S	*	2/2017	Tio	.....	D6/675
D785,975	S	*	5/2017	Thaler	.....	D6/673
D790,260	S	*	6/2017	Tio	.....	D6/675
D824,702	S	*	8/2018	Tio	.....	D6/675
D824,894	S	*	8/2018	Marasco	.....	D14/307
D867,035	S		11/2019	Brugger et al.		
D867,036	S		11/2019	Brugger et al.		
D877,548	S	*	3/2020	Brugger	.....	D6/675
D881,745	S	*	4/2020	Dionne	.....	D11/131
D881,746	S	*	4/2020	Ballestas	.....	D11/131
D885,805	S	*	6/2020	Brugger	.....	D6/675
D887,185	S	*	6/2020	Brugger	.....	D6/675
D893,923	S	*	8/2020	Brugger	.....	D6/675
D901,499	S	*	11/2020	Clinton	.....	D14/371
D904,083	S	*	12/2020	Brugger	.....	D6/675
D906,026	S	*	12/2020	Inouye	.....	D6/675.1
D907,412	S	*	1/2021	Inouye	.....	D6/675.1
D908,851	S	*	1/2021	Lee	.....	D23/284
D917,936	S	*	5/2021	Brugger	.....	D6/675

\* cited by examiner

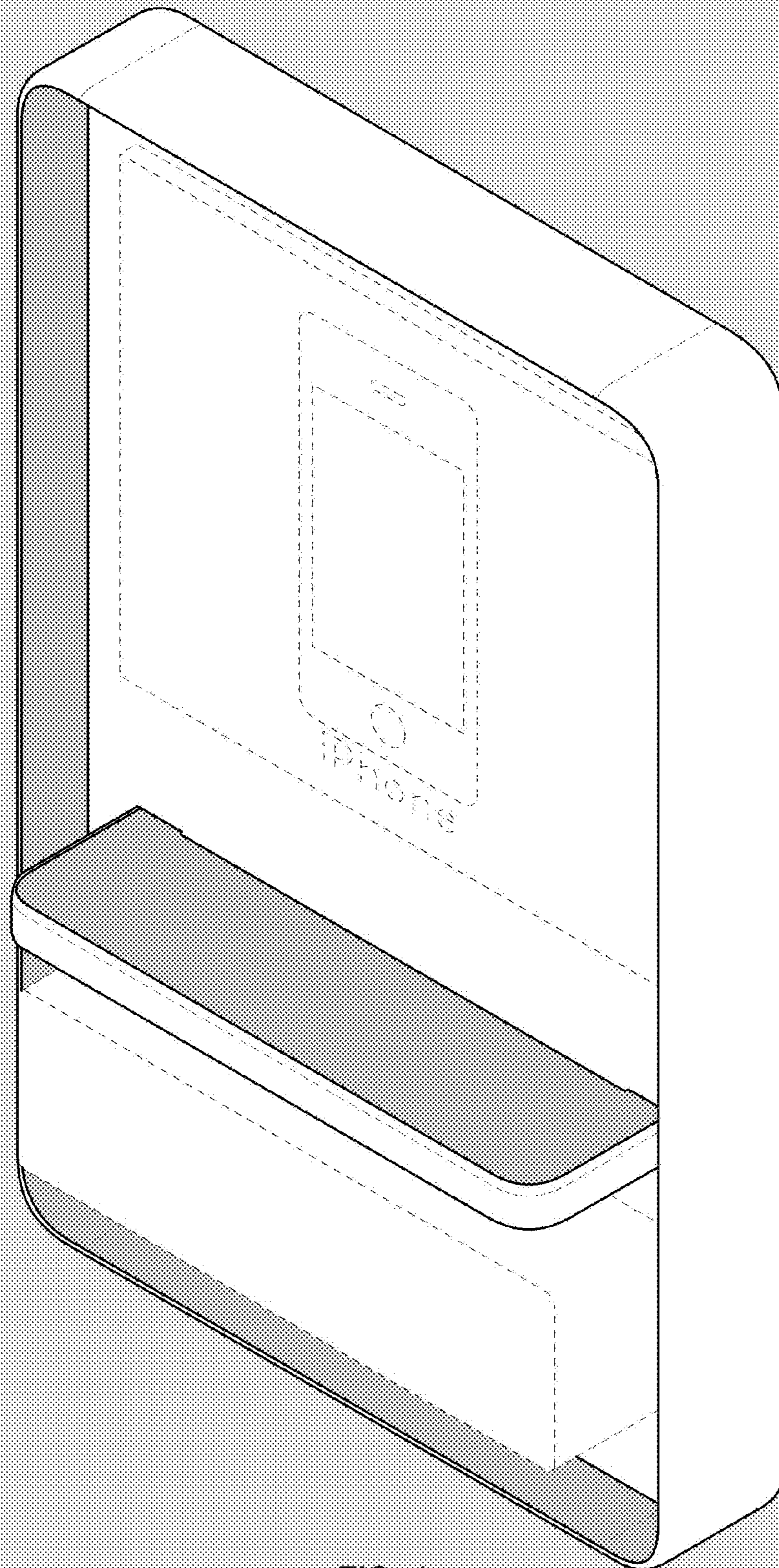


FIG. 1

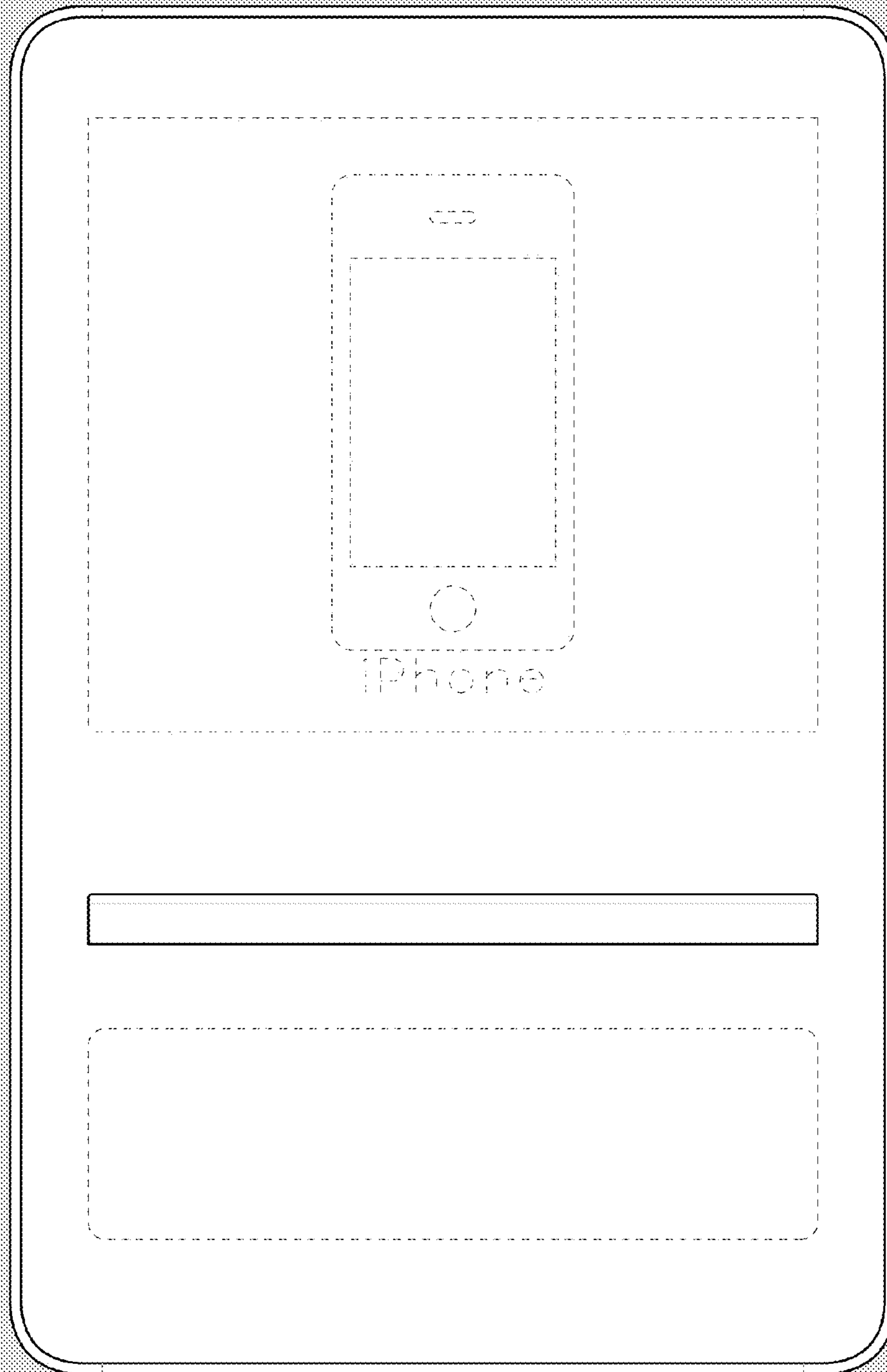
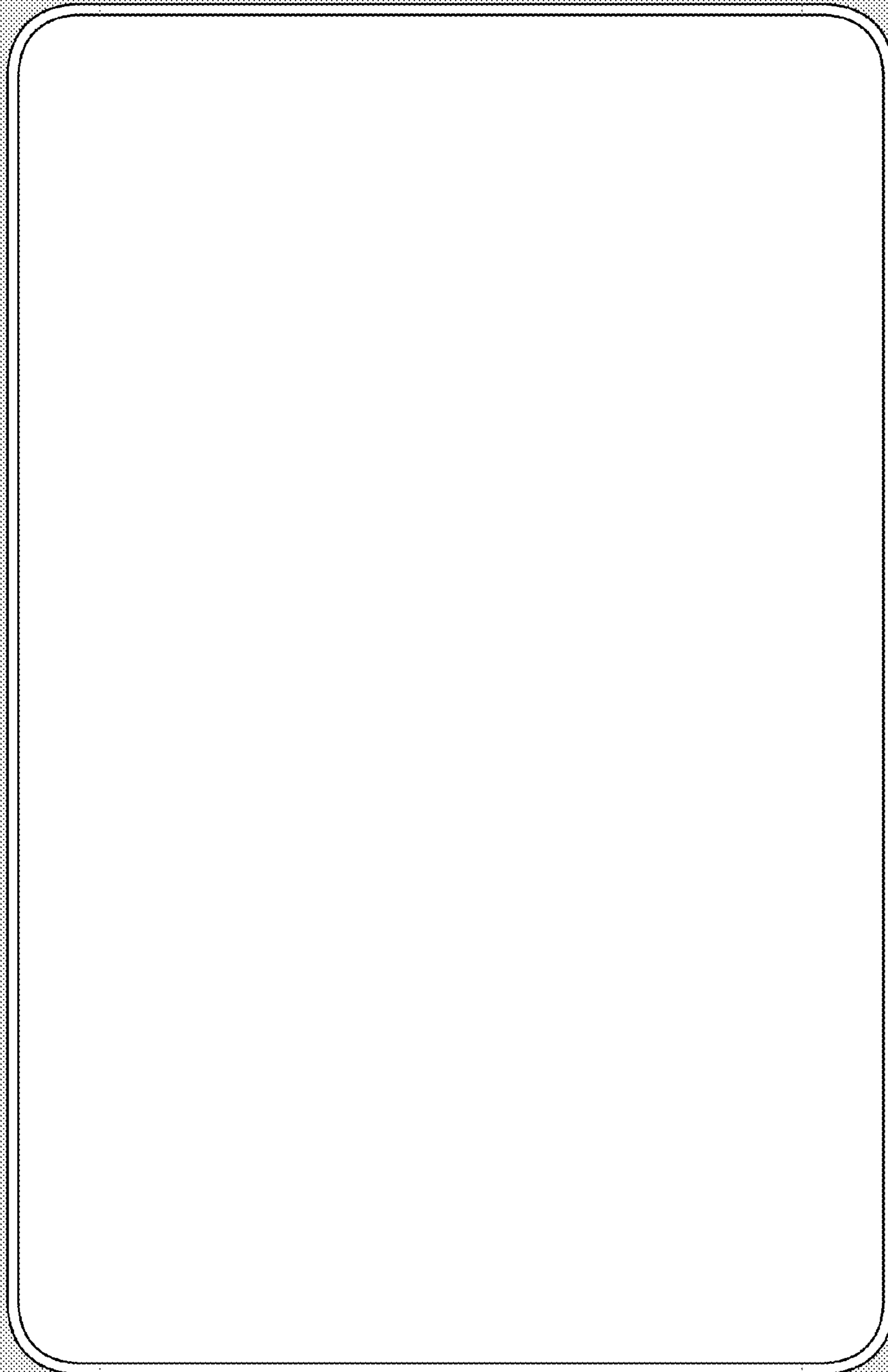


FIG. 2



**FIG. 3**

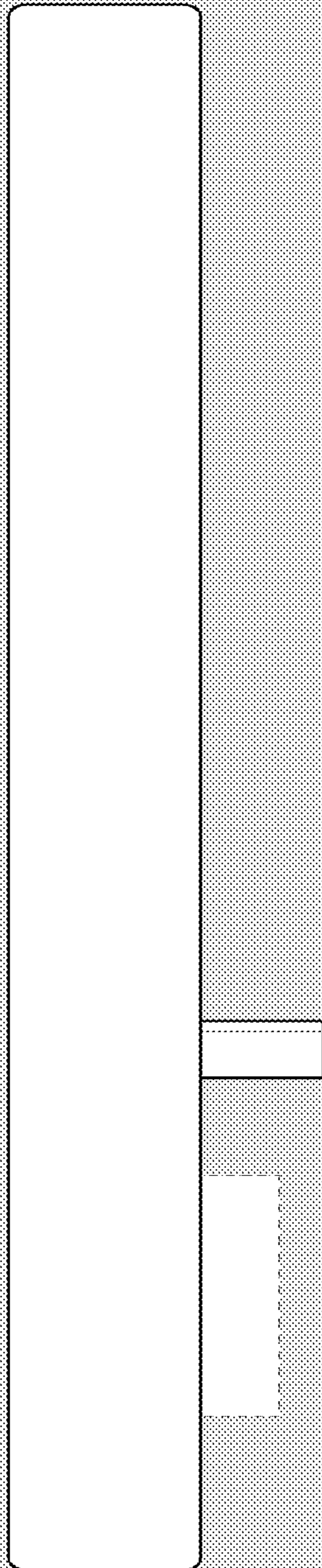


FIG. 4

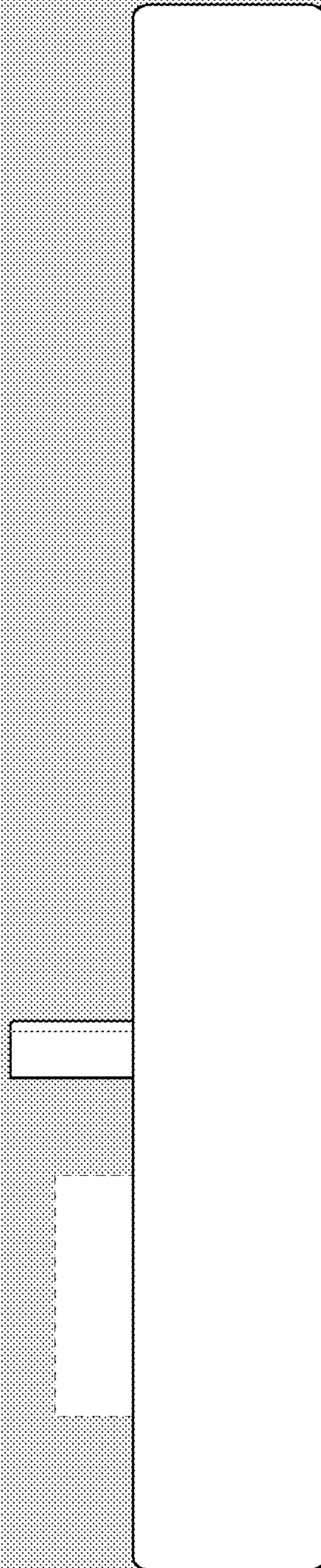


FIG. 5

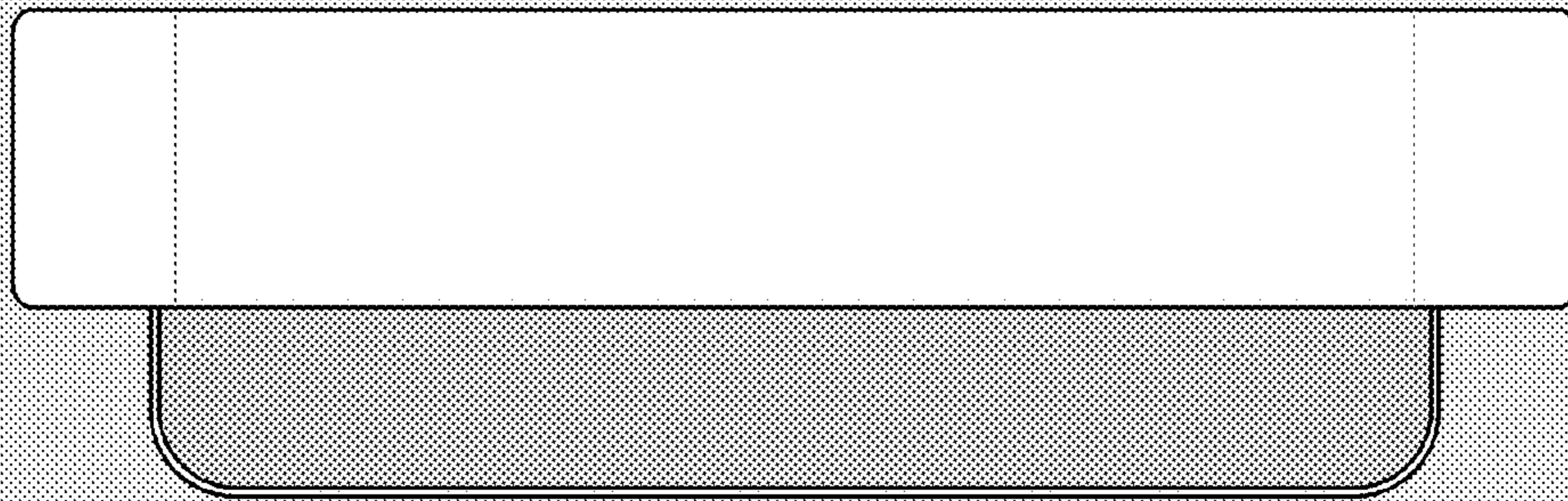


FIG. 6

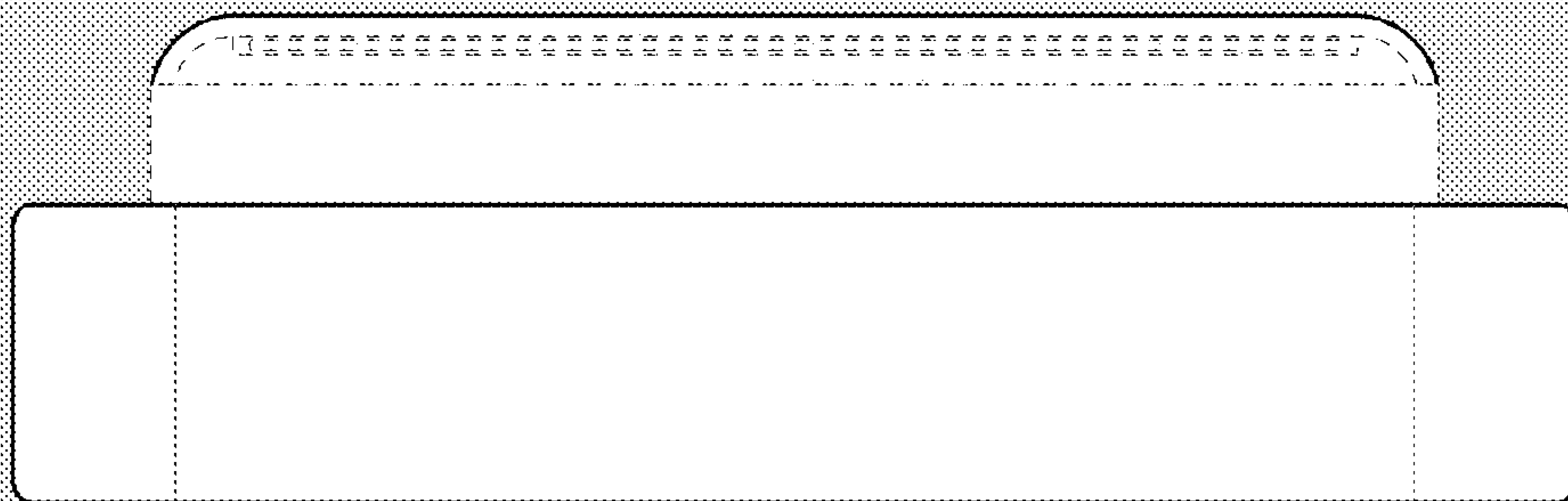


FIG. 7