



US00D930403S

(12) **United States Design Patent** (10) **Patent No.:** **US D930,403 S**
Diamond et al. (45) **Date of Patent:** **** Sep. 14, 2021**

(54) **SEAT COVER**
(71) Applicant: **Plasticolor Inc.**, Fullerton, CA (US)
(72) Inventors: **Shawn A. Diamond**, Fullerton, CA (US); **Eric M. Peterson**, Fullerton, CA (US)
(73) Assignee: **Plasticolor Molded Products, Inc.**, Fullerton, CA (US)

D824,700 S * 8/2018 Wang D6/611
D882,299 S * 4/2020 Benezri D6/611
D883,683 S * 5/2020 Fosu D6/333
D902,630 S * 11/2020 Chen D6/611
2013/0134751 A1* 5/2013 Jammalamadaka . B60N 2/6027
297/220
2015/0307000 A1* 10/2015 Kozaki B60N 2/58
280/730.2

(Continued)

(**) Term: **15 Years**
(21) Appl. No.: **29/629,546**
(22) Filed: **Dec. 13, 2017**

(51) **LOC (13) Cl.** **06-13**
(52) **U.S. Cl.**
USPC **D6/611**
(58) **Field of Classification Search**
USPC D6/333, 601, 608, 610-613, 616, 715,
D6/715.1, 715.2, 716.1; D12/416, 425;
D14/239, 450
CPC A47C 31/10; A47C 31/11; A47C 7/386;
A47C 7/42; B60N 2/58; B60N 2/60;
B60N 2/6009; B60N 2/6036; B60N 2/663
See application file for complete search history.

OTHER PUBLICATIONS

Plasticolor Ford Black Sideless Seat Cover by Plasticolor sold on Amazon.com. Sep. 11, 2013. Accessed on Jun. 24, 2019. (Year: 2013).*

(Continued)

Primary Examiner — Kevin K Rudzinski
Assistant Examiner — Clare Ann Gannon
(74) *Attorney, Agent, or Firm* — Stradling Yocca Carlson & Rauth

(57) **CLAIM**

The ornamental design of the seat cover, as shown and described.

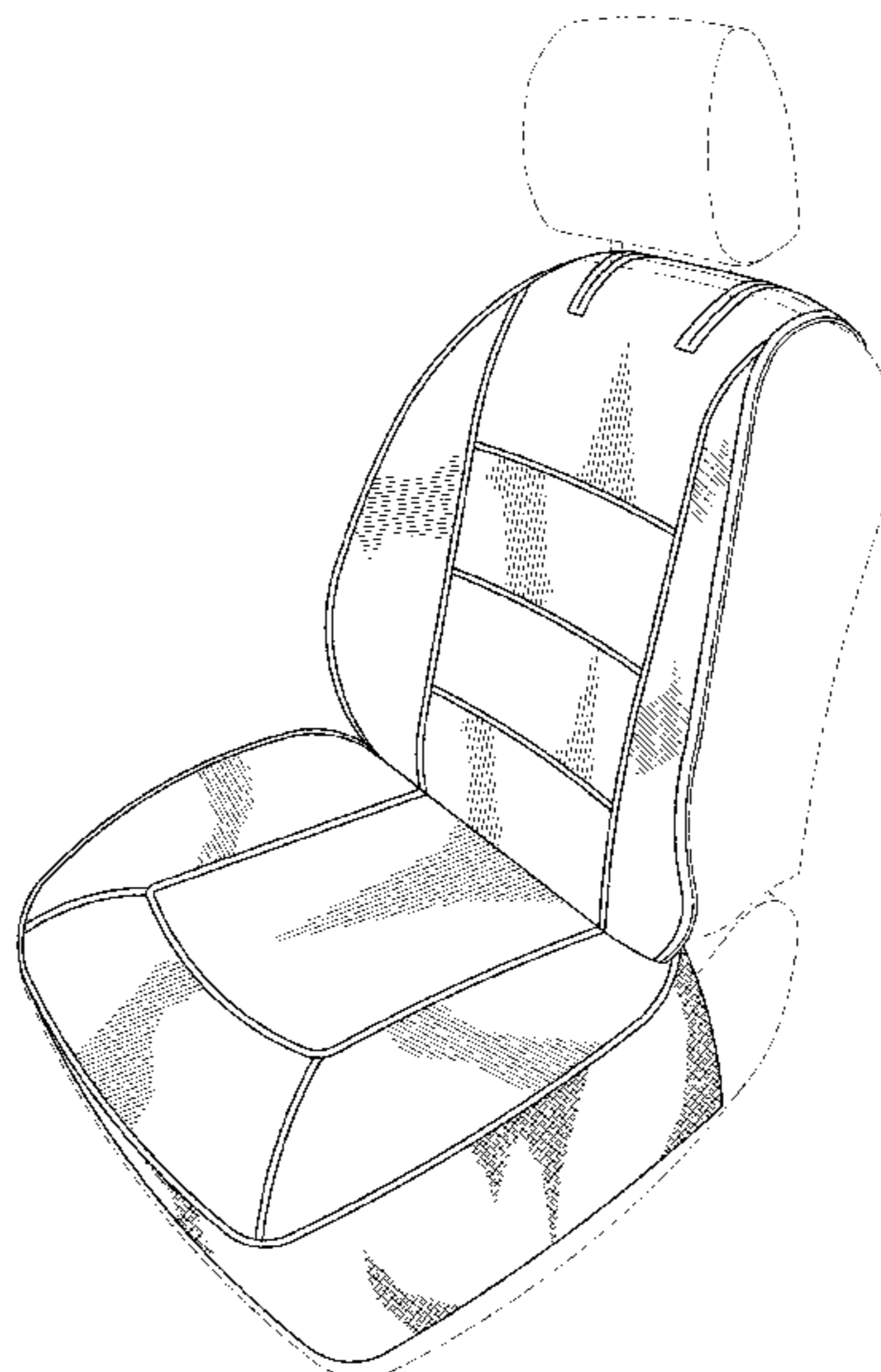
DESCRIPTION

FIG. 1 is a top right perspective view of a seat cover showing the new design in a configuration of use on an environmental car seat;
FIG. 2 is a top left perspective view thereof;
FIG. 3 is a left rear perspective view thereof;
FIG. 4 is a right rear perspective view thereof;
FIG. 5 is a right side elevation view of the seat cover;
FIG. 6 is a left side elevational view of the seat cover; and,
FIG. 7 is a front view of the seat cover in an unfolded, flat orientation.
The broken lines depict environment that forms no part of the claimed design.

(56) **References Cited**
U.S. PATENT DOCUMENTS

D264,401 S * 5/1982 Trotman D6/611
D403,169 S * 12/1998 Tseng D6/366
D440,107 S * 4/2001 Hsu D6/611
D476,492 S * 7/2003 Yamamoto D6/335
D518,319 S * 4/2006 True B60N 2/58
D6/366
D541,562 S * 5/2007 Grove D6/366
D706,048 S * 6/2014 Wang B60N 2/58
D6/366
D716,585 S * 11/2014 Peterson B60N 2/58
D6/611
D730,083 S * 5/2015 Walsh D6/611

1 Claim, 7 Drawing Sheets



(56)

References Cited

U.S. PATENT DOCUMENTS

2017/0361745 A1* 12/2017 Ishii B60N 2/58
2018/0099593 A1* 4/2018 Fujikake A47C 31/02
2018/0229682 A1* 8/2018 Xu B60N 2/58
2018/0312087 A1* 11/2018 Ishii A47C 31/02
2018/0319301 A1* 11/2018 Haby B60N 2/99
2018/0339616 A1* 11/2018 Nil B60N 2/5883
2019/0023163 A1* 1/2019 Schrey B60N 2/58
2019/0031064 A1* 1/2019 Diamond B60N 2/6036
2019/0039489 A1* 2/2019 Fang B60N 2/6063

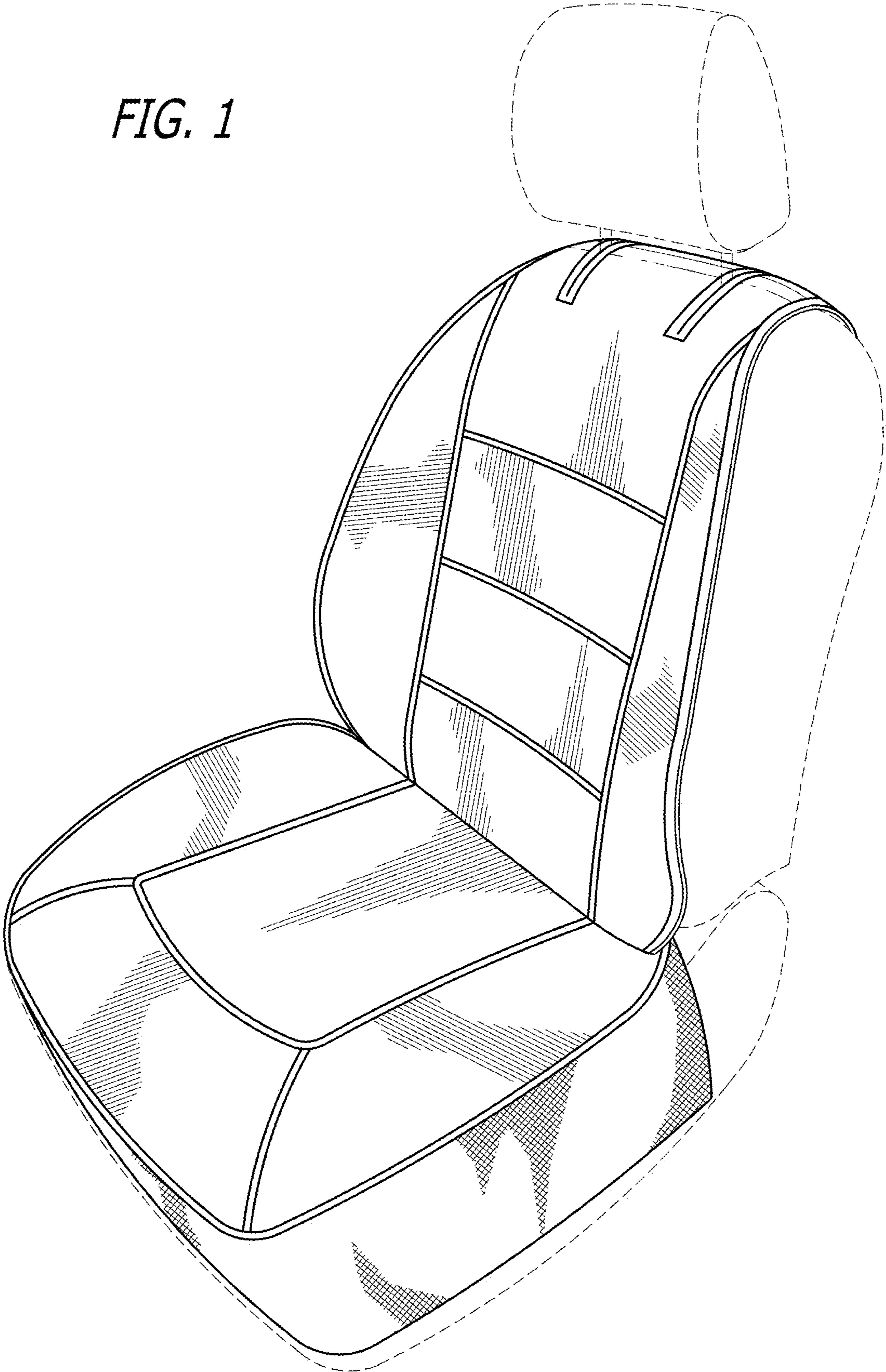
OTHER PUBLICATIONS

Chevy sideless seat cover with head rest by Plasticolor sold by Autozone. Accessed on Jun. 24, 2019. (Year: 2019).*

“Plasticolor seat cover” google image search showing results from prior to Dec. 13, 2016. Accessed on Jun. 24, 2019. (Year: 2016).*

* cited by examiner

FIG. 1



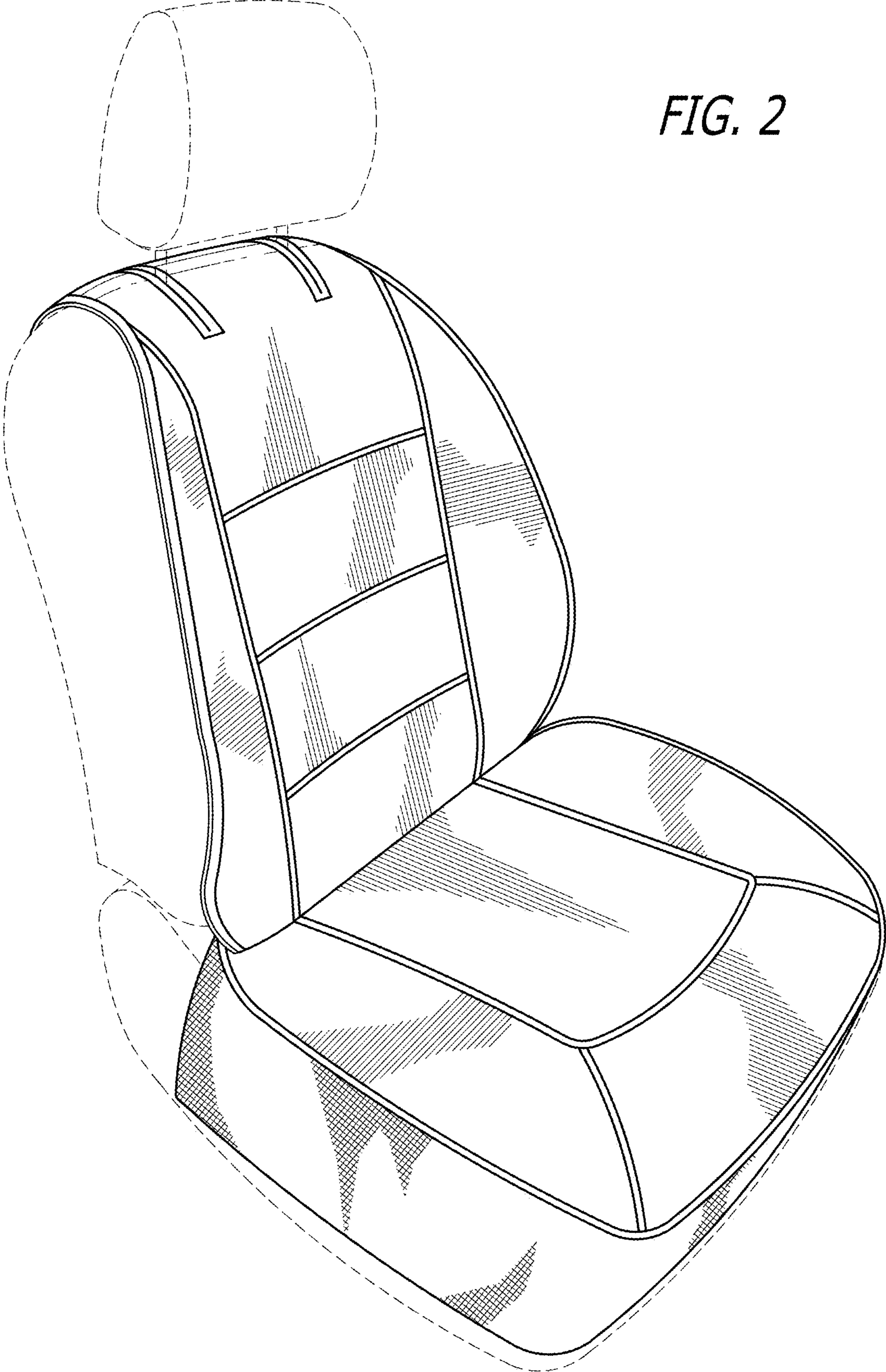
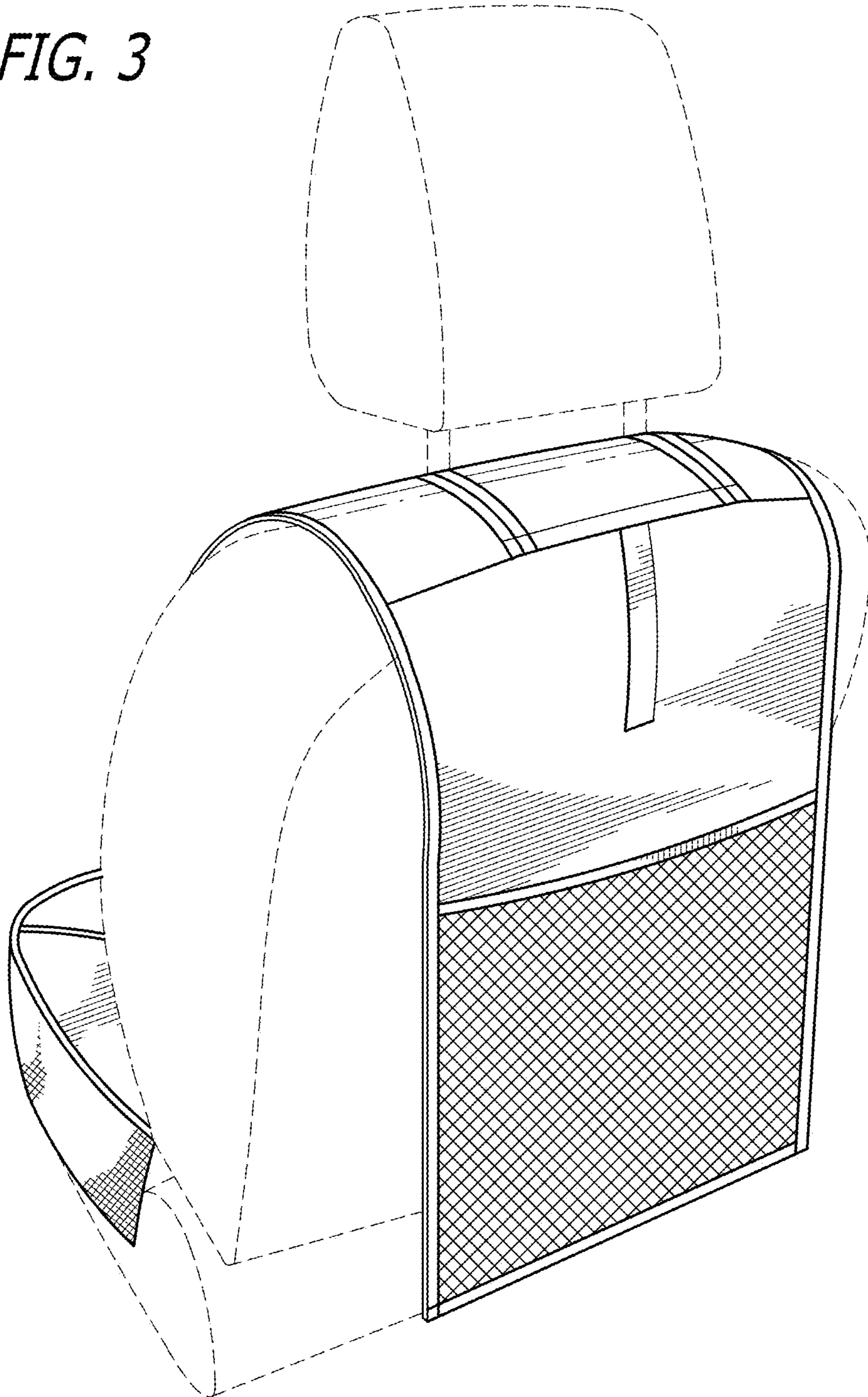


FIG. 2

FIG. 3



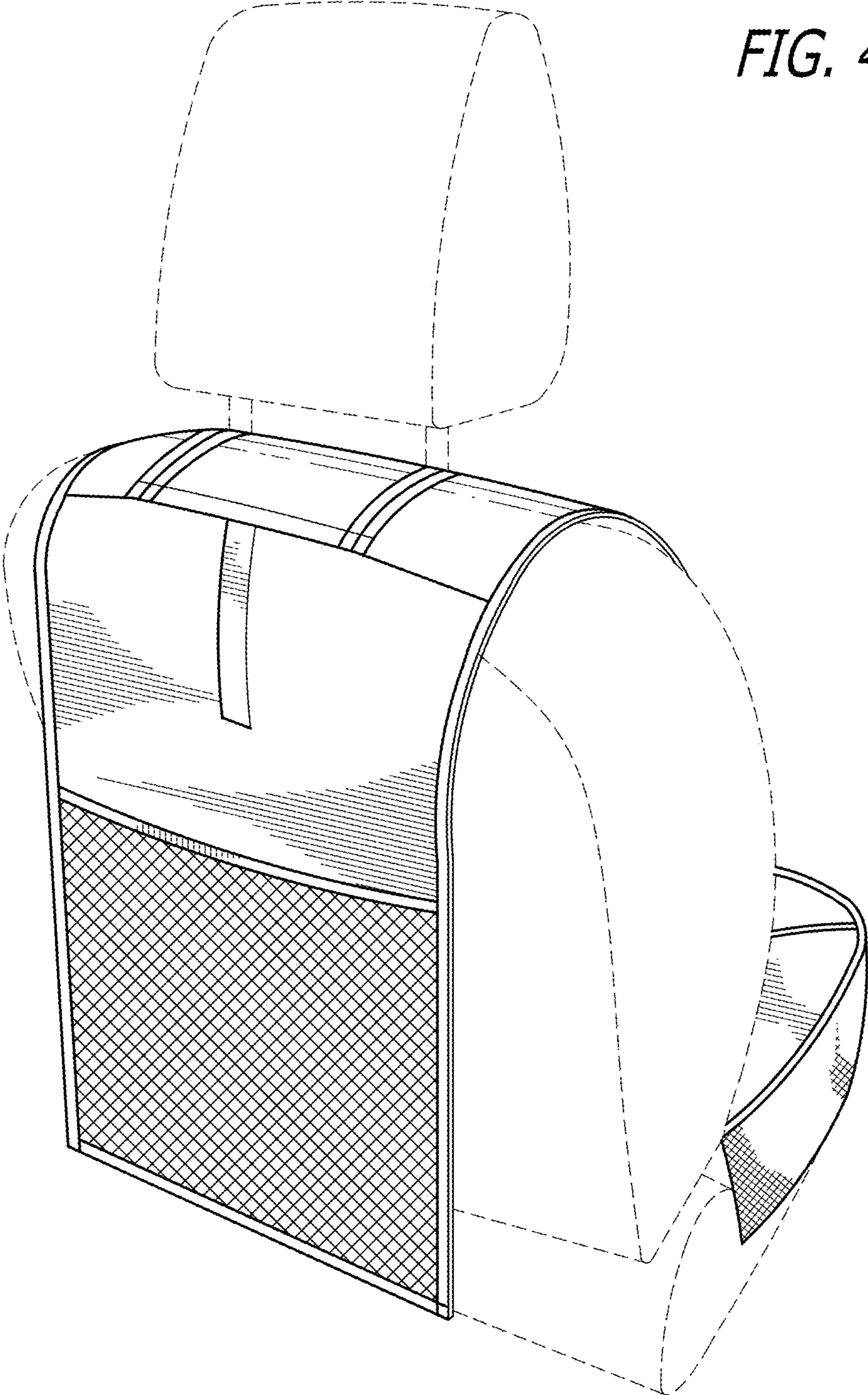
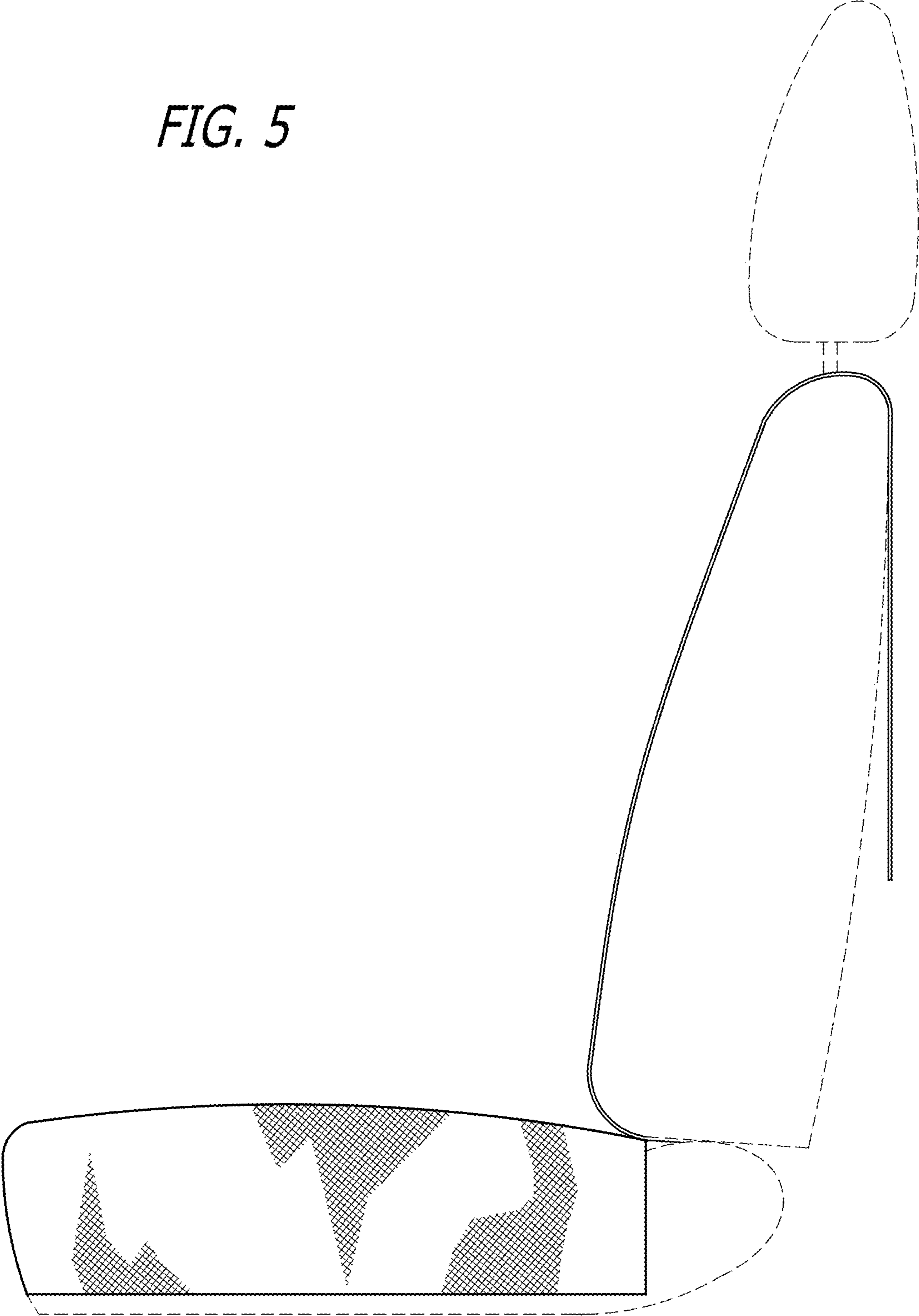


FIG. 4

FIG. 5



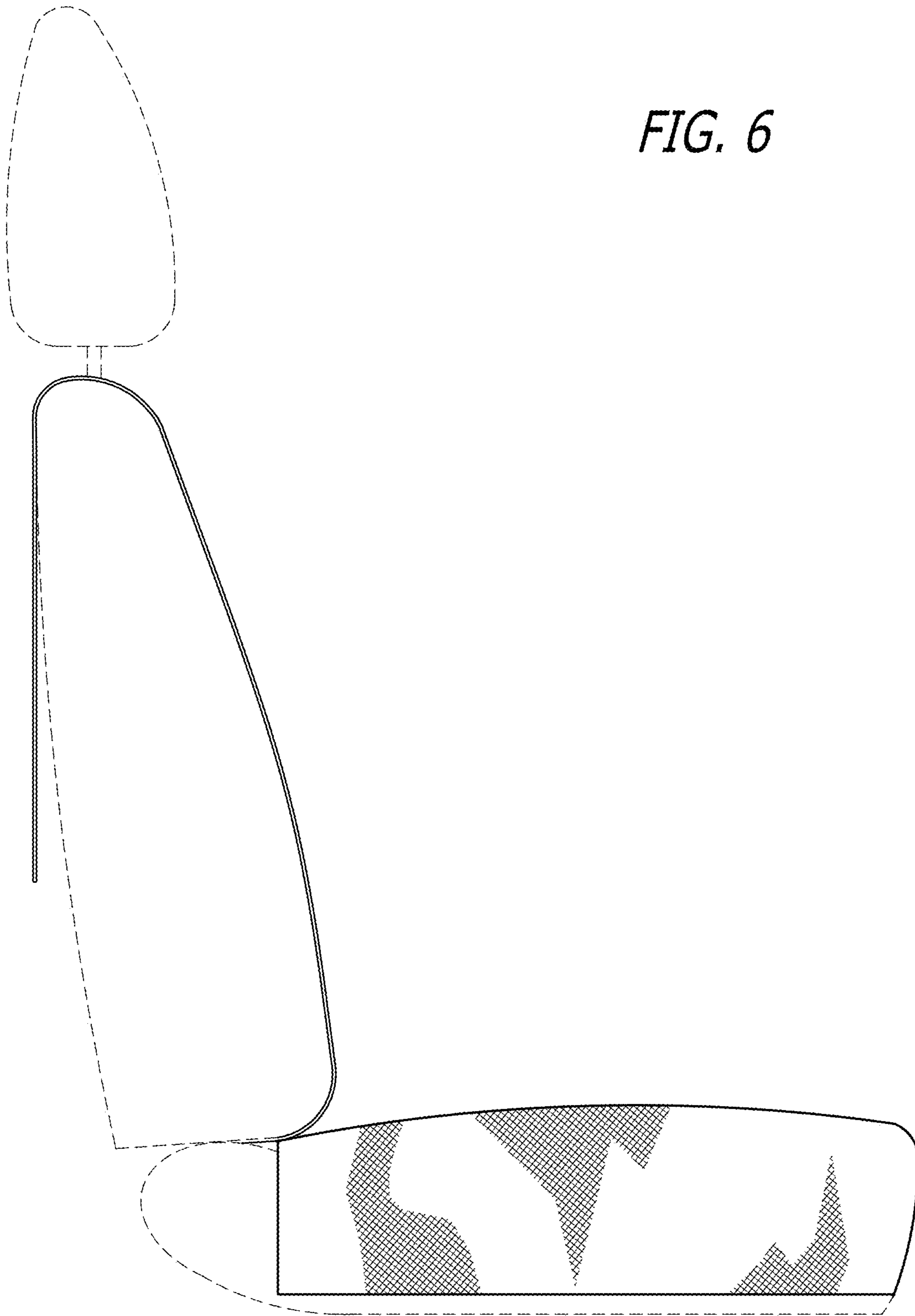


FIG. 6

FIG. 7

