



US00D930402S

(12) **United States Design Patent** (10) **Patent No.:** **US D930,402 S**
Ma (45) **Date of Patent:** **** Sep. 14, 2021**

(54) **PILLOW**
(71) Applicant: **CENTRADE INC.**, Madison, NJ (US)
(72) Inventor: **Qiang Ma**, Madison, NJ (US)
(73) Assignee: **CENTRADE INC.**, Madison, NJ (US)
(**) Term: **15 Years**

1,457,203 A * 5/1923 Wick A47C 27/125
5/722
D108,622 S * 3/1938 Johnson D6/604
2,549,597 A * 4/1951 Harris A47C 27/087
5/711
D212,149 S * 9/1968 Tuvert D2/719
D236,287 S * 8/1975 McNair D24/215
D258,481 S * 3/1981 Kroll D6/604
D279,668 S * 7/1985 Larsson D12/316

(Continued)

(21) Appl. No.: **29/769,731**
(22) Filed: **Feb. 8, 2021**
(51) **LOC (13) Cl.** **06-09**
(52) **U.S. Cl.**
USPC **D6/601**
(58) **Field of Classification Search**
USPC D6/595, 596, 597, 600, 601, 603, 604,
D6/605, 606, 608, 522, 546, 582, 583;
D24/183, 185, 234; D21/803, 804, 805,
D21/809, 439, 440
CPC A47G 2009/1018; A47G 2009/003; A47G
9/0253; A47G 9/10; A47G 9/1027; A47G
9/1036; A47G 9/1054; A47G 9/1063;
A47G 9/1072; A47G 9/1081; A47G
9/109; A45F 4/06; A47C 21/06; A47C
7/18; A47C 20/00; A47C 17/80; A47C
17/82; A47C 17/64; A47C 27/00; A47C
27/14; A47C 23/00; A47C 17/021; A47C
17/13; A47C 17/132; A47C 17/136; A47C
17/1655; A47C 17/207
See application file for complete search history.

FOREIGN PATENT DOCUMENTS

JP D1596680 * 2/2018

OTHER PUBLICATIONS

Jumia: Long Pillow-Plain-White, date unknown, [online], [site visited Jul. 3, 2021], Available from Internet, <URL: <https://www.jumia.com/eg/generic-long-pillow-plain-white-21501932.html>> (Year: 2021).*

(Continued)

Primary Examiner — Sanjeev Paul

(57) **CLAIM**

The ornamental design for a pillow, as shown and described.

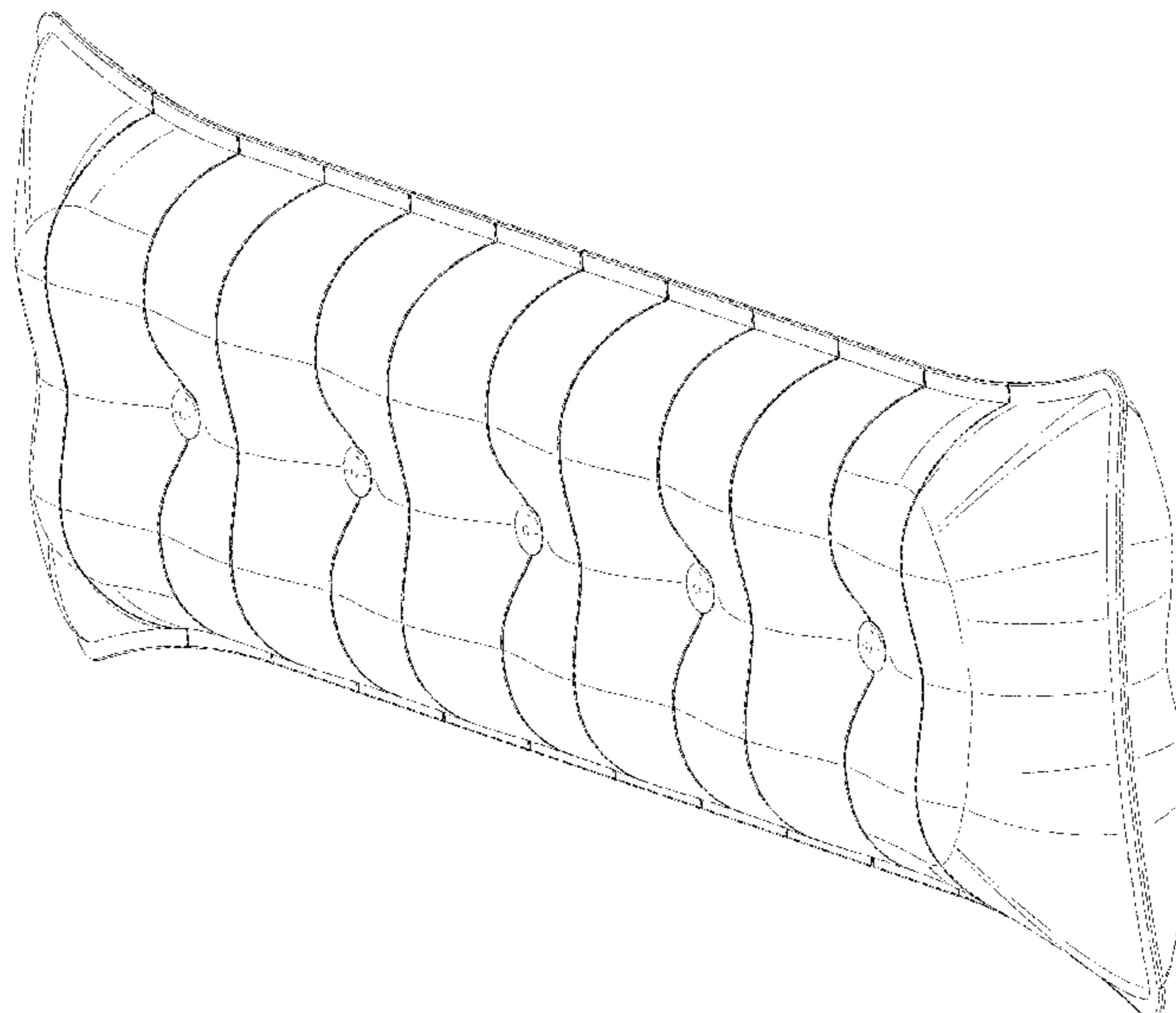
DESCRIPTION

FIG. 1 is a perspective view of a pillow showing my new design;
FIG. 2 is another perspective view thereof;
FIG. 3 is a front elevational view thereof;
FIG. 4 is a rear elevational view thereof;
FIG. 5 is a left side elevational view thereof;
FIG. 6 is a right side elevational view thereof;
FIG. 7 is a top plan view thereof; and,
FIG. 8 is a bottom plan view thereof.
The broken lines in the drawings depict portions of the pillow that form no part of the claimed design.

1 Claim, 8 Drawing Sheets

(56) **References Cited**
U.S. PATENT DOCUMENTS

65,262 A * 5/1867 Ouroussoff A47C 27/00
5/420
754,329 A * 3/1904 Milliken A47C 27/001
5/722
1,385,355 A * 7/1921 Banks A47G 9/109
5/636



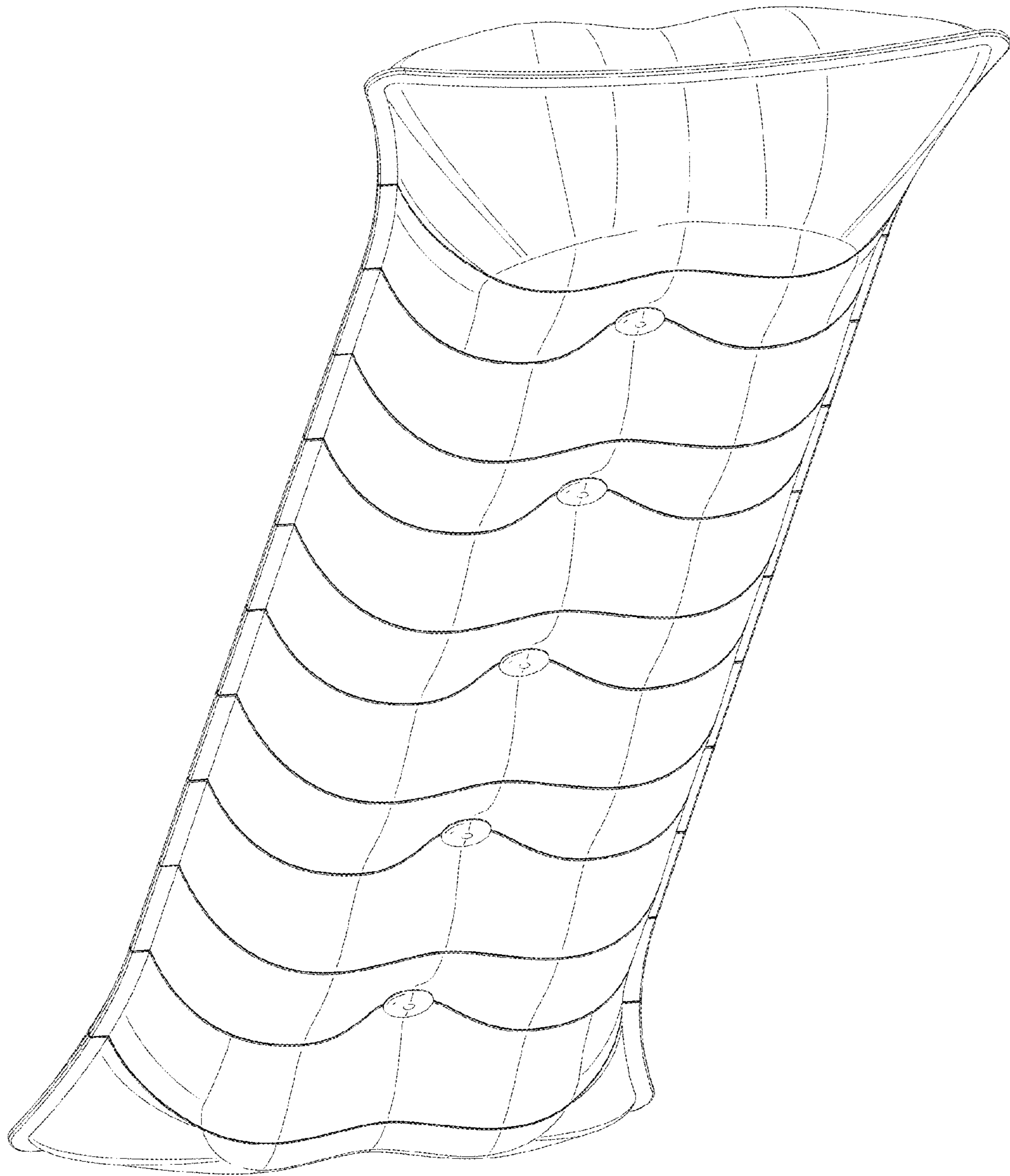


FIG. 1

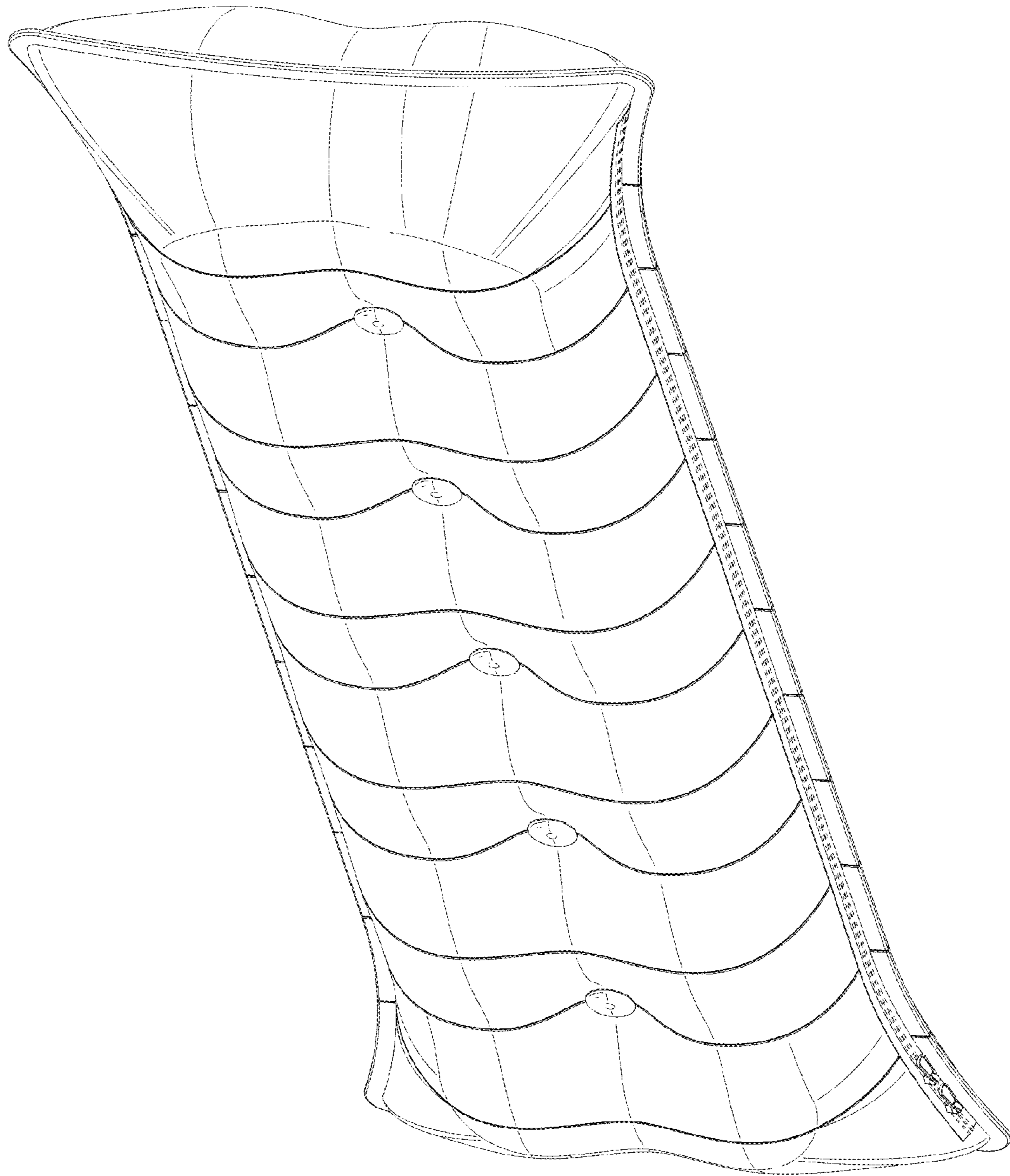


FIG. 2

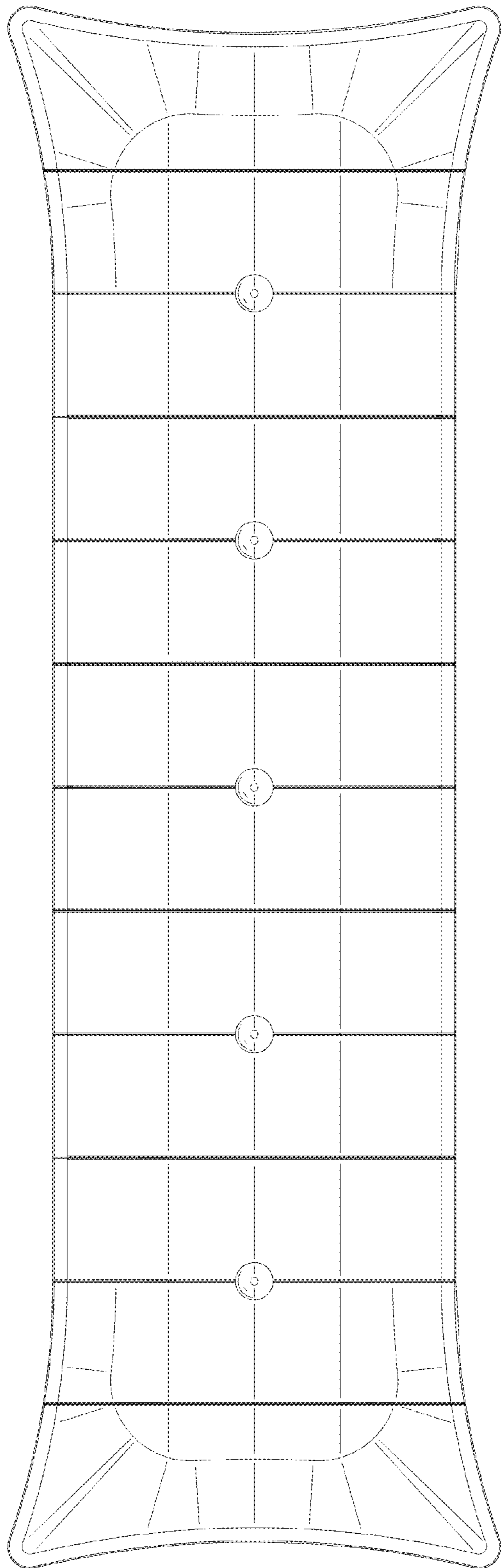


FIG. 3

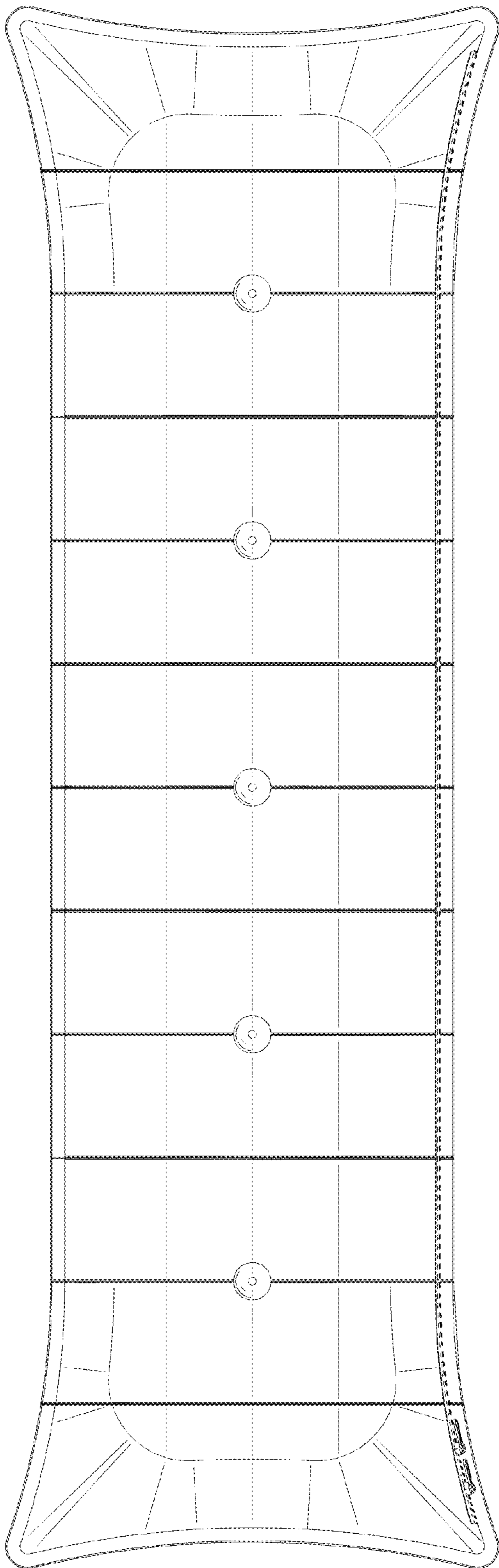


FIG. 4

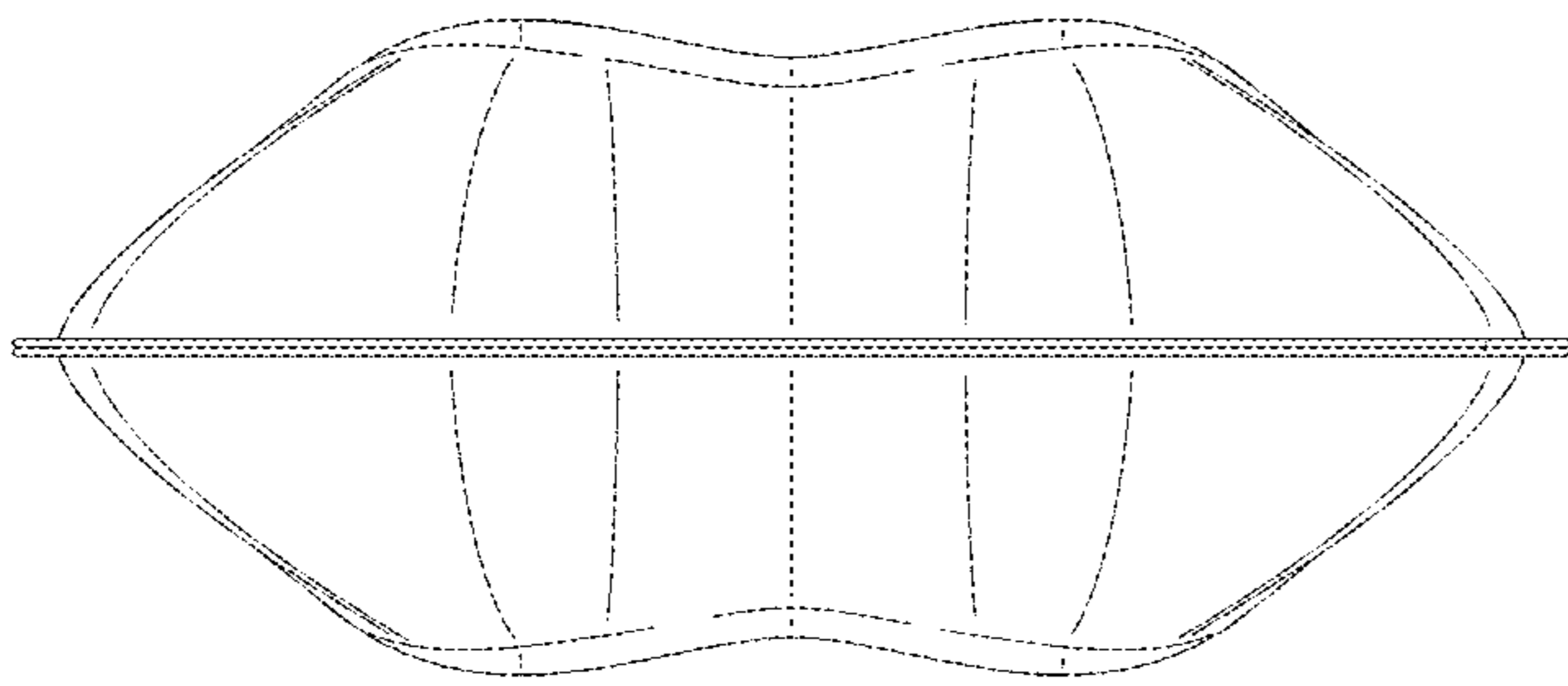


FIG. 5

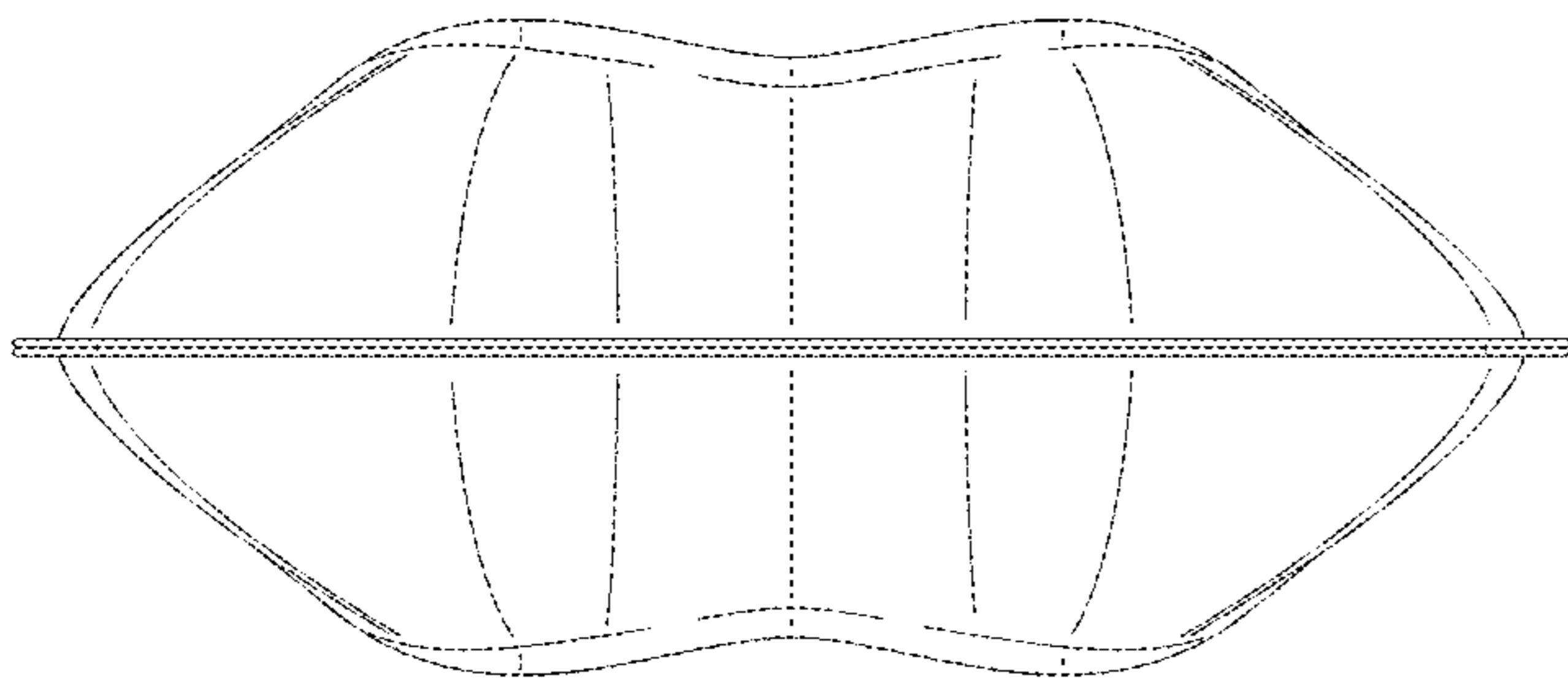


FIG. 6

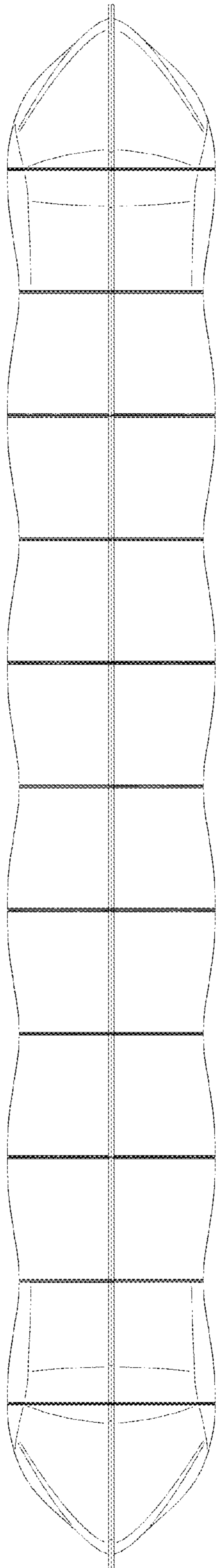


FIG. 7

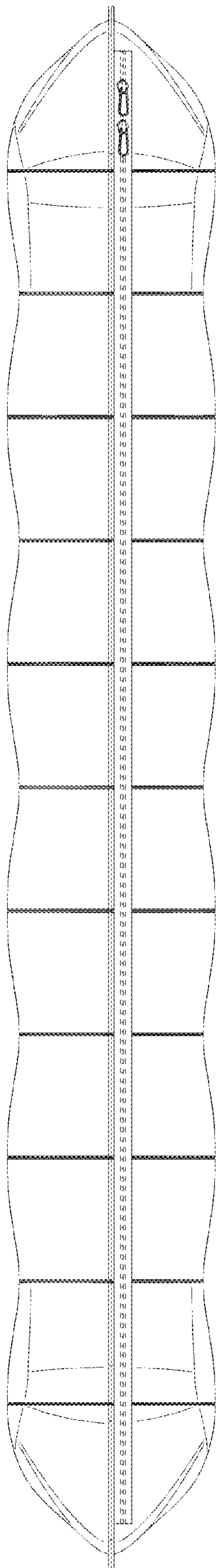


FIG. 8