



US00D930387S

(12) **United States Design Patent** (10) **Patent No.:** **US D930,387 S**
Liang (45) **Date of Patent:** **** Sep. 14, 2021**

(54) **PAPER HOLDER**
(71) Applicant: **GUANGZHOU TAOZUN COMMERCE & TRADING CO., LTD.**, Guangzhou (CN)
(72) Inventor: **Weihao Liang**, Foshan (CN)
(73) Assignee: **GUANGZHOU TAOZUN COMMERCE & TRADING CO., LTD.**, Guangzhou (CN)

D398,466 S * 9/1998 Odom D6/521
D486,333 S * 2/2004 Hoernig D6/521
D486,681 S * 2/2004 Hoernig D6/523
D499,916 S * 12/2004 Yang D6/521
D518,985 S * 4/2006 Yang D6/521
D532,228 S * 11/2006 Snell D6/522
D570,143 S * 6/2008 Bigelow D6/520
D771,969 S 11/2016 Hsu
D811,115 S 2/2018 Goodman et al.
D811,118 S * 2/2018 Garland D6/523
D859,029 S * 9/2019 Mariano D6/522
D904,790 S * 12/2020 Zhong D6/549
D919,319 S * 5/2021 Hu D6/522

(**) Term: **15 Years**

* cited by examiner

(21) Appl. No.: **29/771,969**

Primary Examiner — Nathan M Johnston

(22) Filed: **Feb. 26, 2021**

(51) **LOC (13) Cl.** **06-04**

(57) **CLAIM**

(52) **U.S. Cl.**
USPC **D6/522**

The ornamental design for a paper holder, as shown and described.

(58) **Field of Classification Search**
USPC D6/522, 523, 515–521, 524; D8/349, D8/354, 363, 373, 394; 206/77.1, 13.1, 206/86.01, 87.01; 221/14, 92, 105, 146.1, 221/146.2, 649; 222/281–282
CPC A47K 5/12; A47K 5/1205; A47K 5/1202; A47K 5/1207; A47K 10/16; A47K 10/32; A47K 10/34; A47K 10/421; A47K 10/44; B05B 11/3001; C11D 17/08
See application file for complete search history.

DESCRIPTION

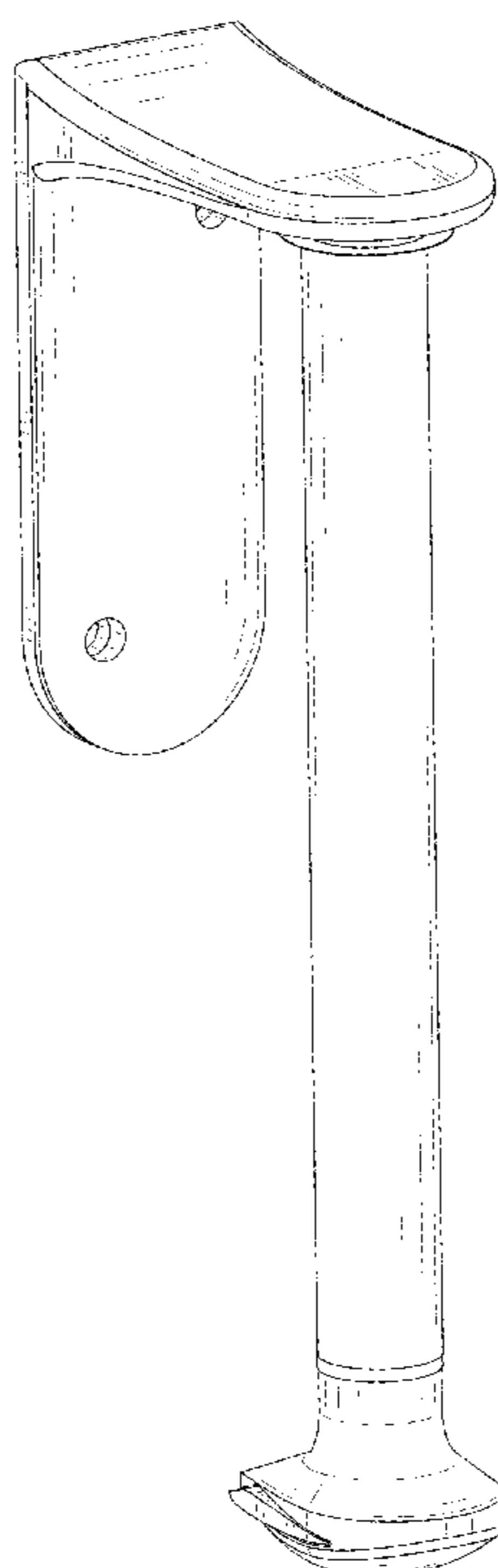
FIG. 1 is a perspective view of a paper holder showing my new design;
FIG. 2 is another perspective view thereof;
FIG. 3 is a front elevational view thereof;
FIG. 4 is a rear elevational view thereof;
FIG. 5 is a left side elevational view thereof;
FIG. 6 is a right side elevational view thereof;
FIG. 7 is a top plan view thereof; and,
FIG. 8 is a bottom plan view thereof.

(56) **References Cited**

U.S. PATENT DOCUMENTS

D277,622 S * 2/1985 Servadio D6/521
D298,290 S * 11/1988 Wilkerson D6/521

1 Claim, 8 Drawing Sheets



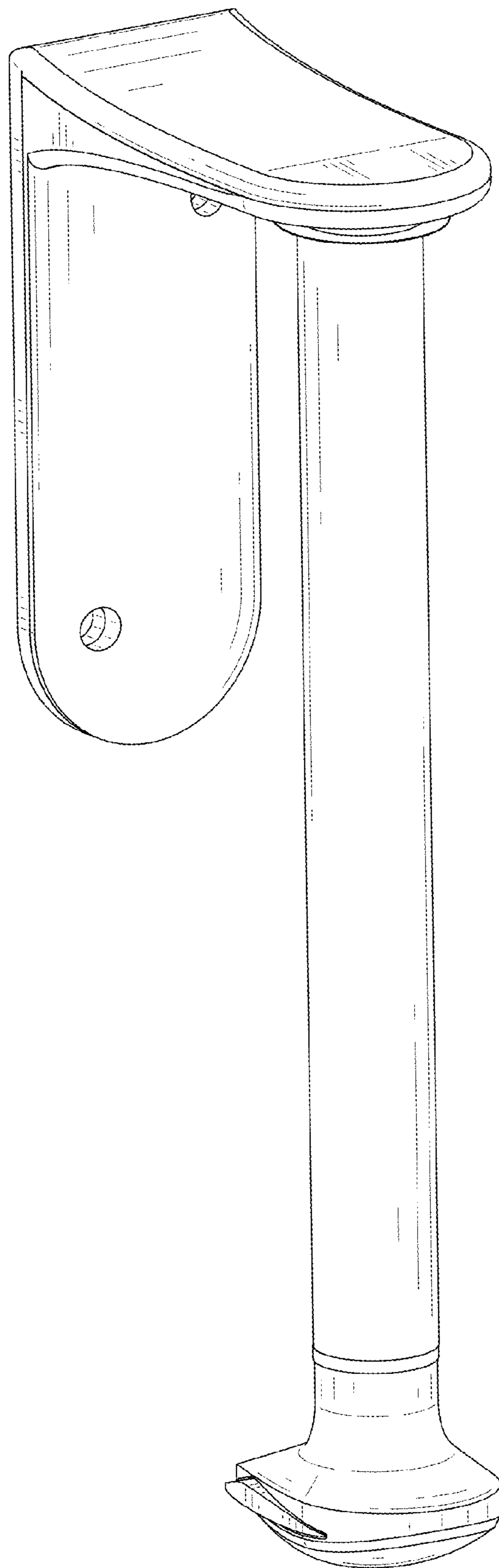


FIG. 1

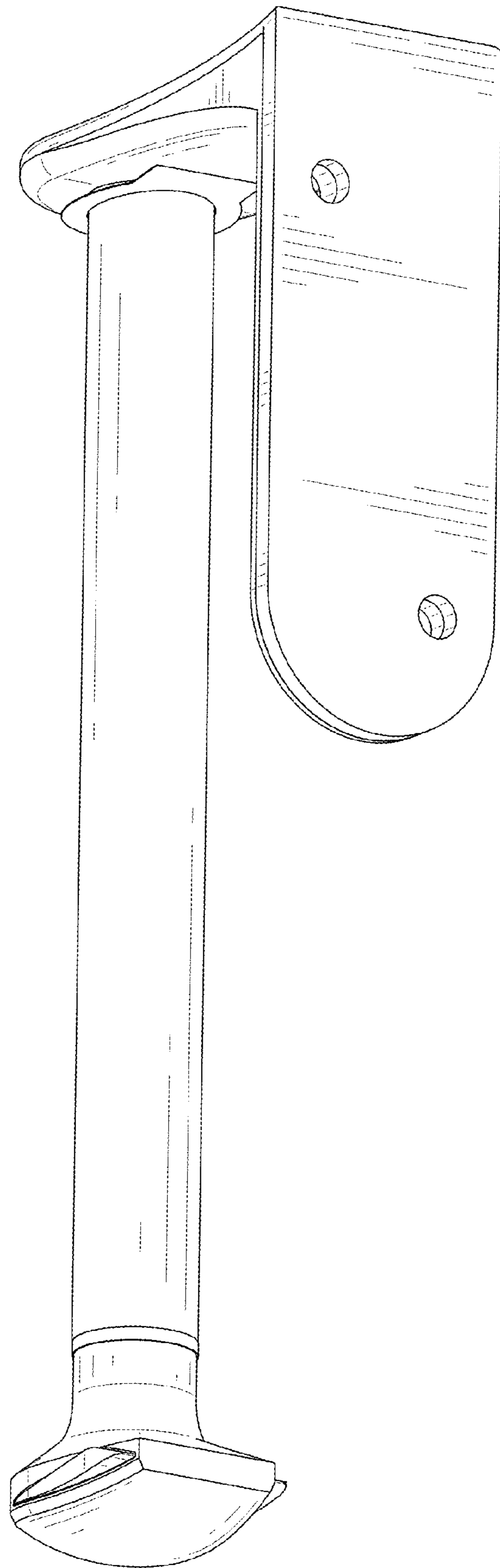


FIG. 2

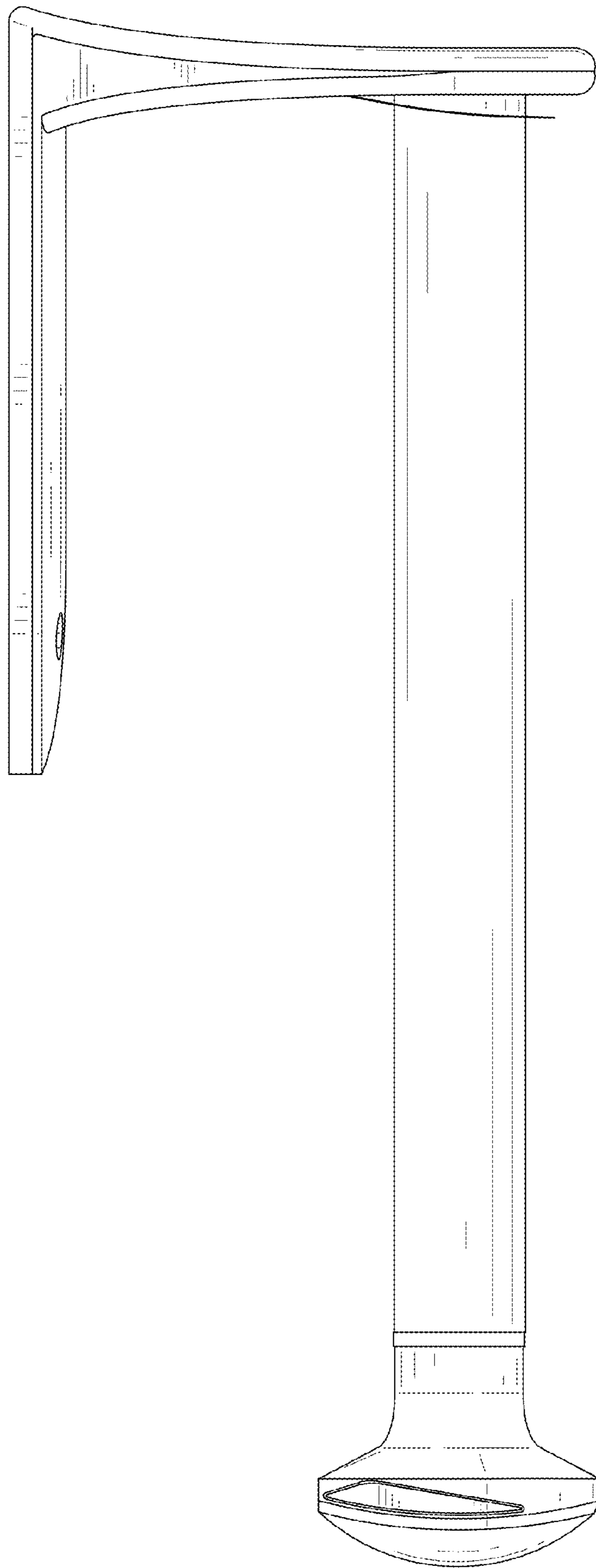


FIG. 3

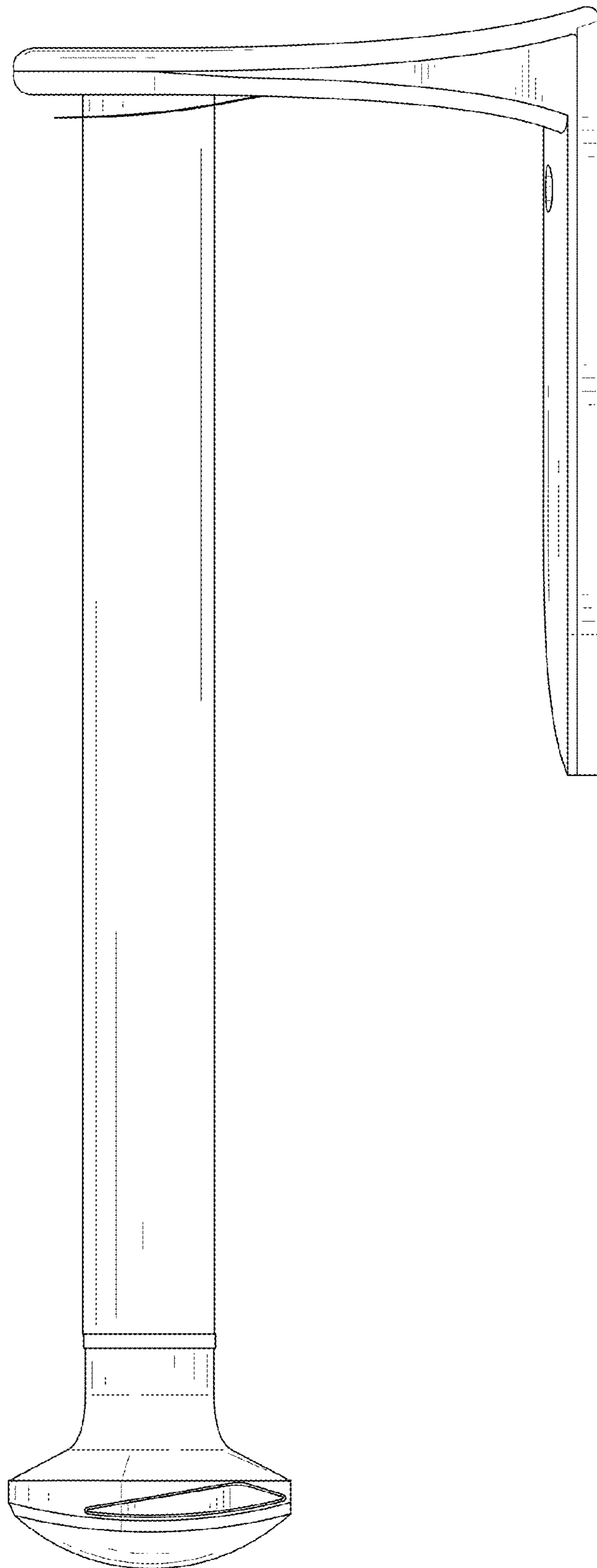


FIG. 4

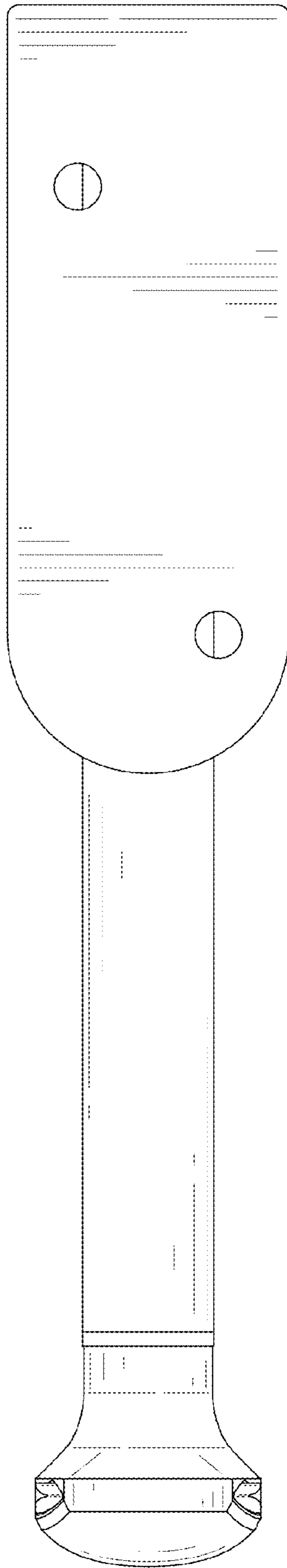


FIG. 5

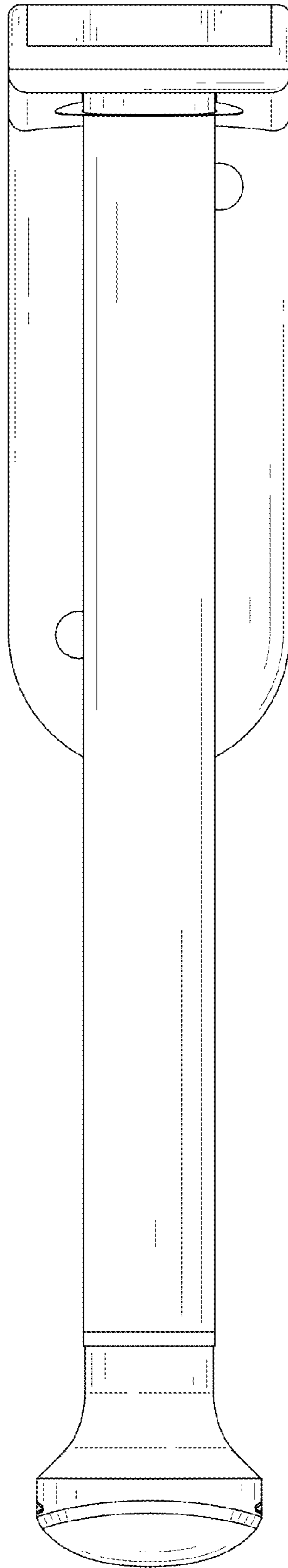


FIG. 6

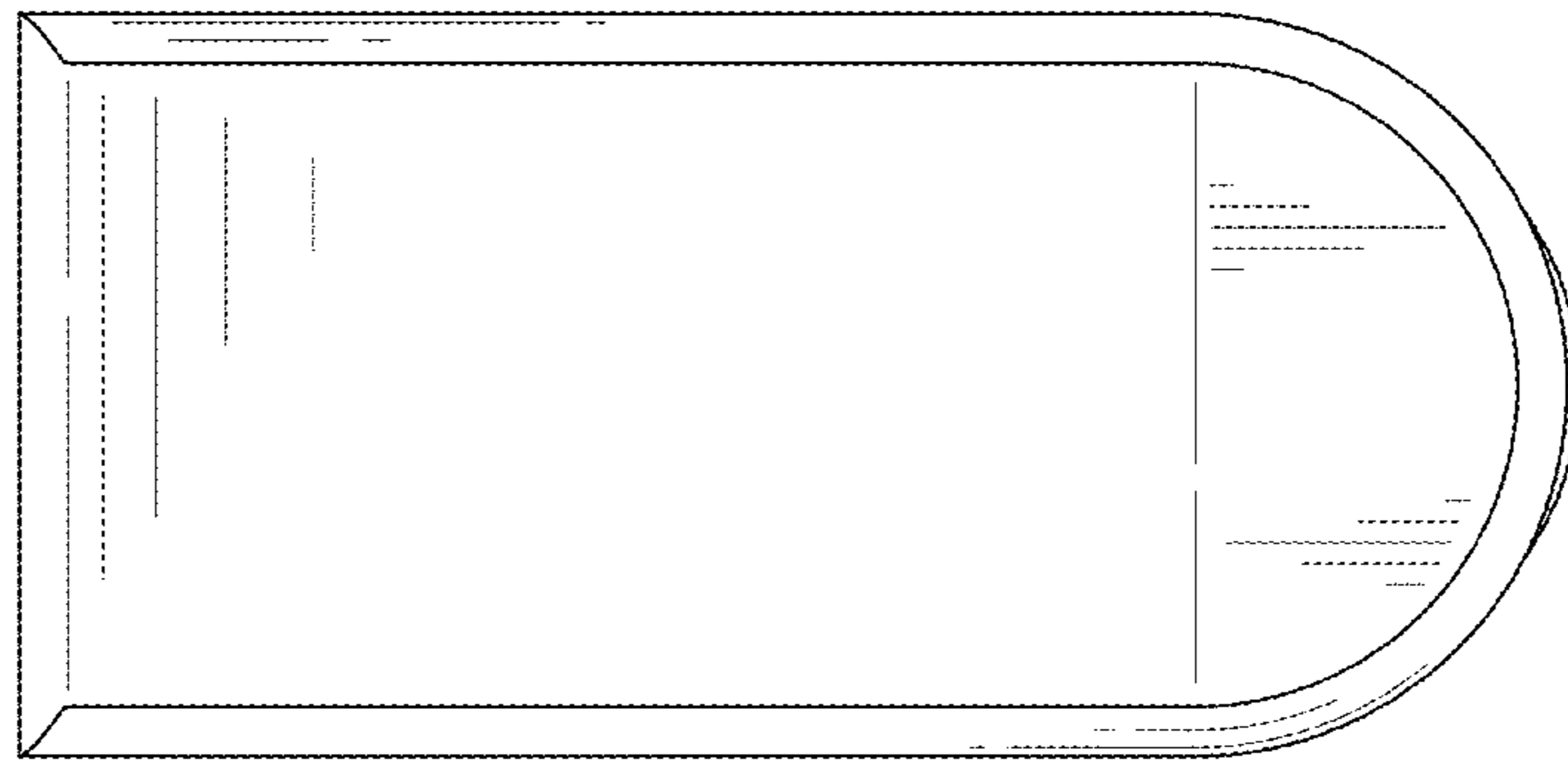


FIG. 7

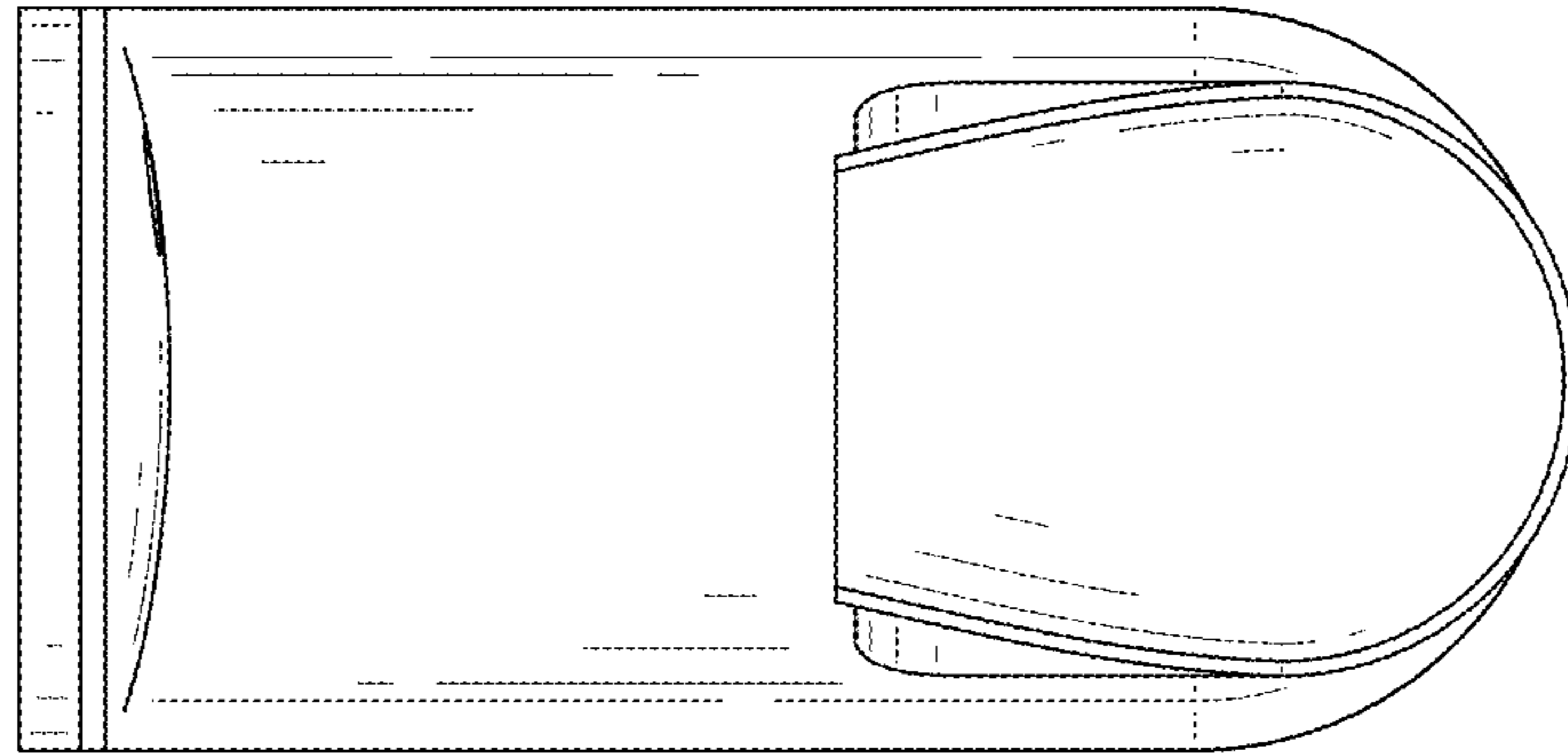


FIG. 8