



US00D930385S

(12) **United States Design Patent**
Huang

(10) **Patent No.:** **US D930,385 S**

(45) **Date of Patent:** **** Sep. 14, 2021**

- (54) **TRAVEL TRAY**
- (71) Applicant: **Lihua Huang**, Foshan (CN)
- (72) Inventor: **Lihua Huang**, Foshan (CN)
- (**) Term: **15 Years**
- (21) Appl. No.: **29/712,297**
- (22) Filed: **Nov. 7, 2019**
- (51) **LOC (13) Cl.** **06-06**
- (52) **U.S. Cl.**
USPC **D6/406.3**
- (58) **Field of Classification Search**
USPC D6/512, 685-686, 691, 704, 707.19,
D6/406.1, 406.2, 406.3, 406.4, 406.5,
D6/406.6; D7/545, 550.1, 552.2, 554.3
CPC A47G 23/06; A47G 23/08; A47G 23/0608;
A47B 19/08; A47B 23/00; A47B 23/001
See application file for complete search history.

- D550,477 S * 9/2007 Probst D6/406.5
- 8,091,486 B1 * 1/2012 Broaddrick A47G 23/0633
108/43
- D781,062 S * 3/2017 Probst D6/406.5
- D785,361 S * 5/2017 Salisbury D6/406.5
- D795,789 S * 8/2017 Ehtesham D12/425
- 10,052,992 B2 * 8/2018 Probst B60N 3/002
- D840,708 S * 2/2019 Melaragno D6/406.5
- D892,514 S * 8/2020 Flanagan D6/406.5
- D892,515 S * 8/2020 Wang D6/406.5
- D900,503 S * 11/2020 Hwang D6/406.3
- 2007/0277711 A1 * 12/2007 Grant A47G 23/0608
108/160
- 2016/0325197 A1 * 11/2016 Smith A47G 23/0608

* cited by examiner

Primary Examiner — Kelley A Donnelly

(57) **CLAIM**

The ornamental design for a travel tray, as shown and described.

DESCRIPTION

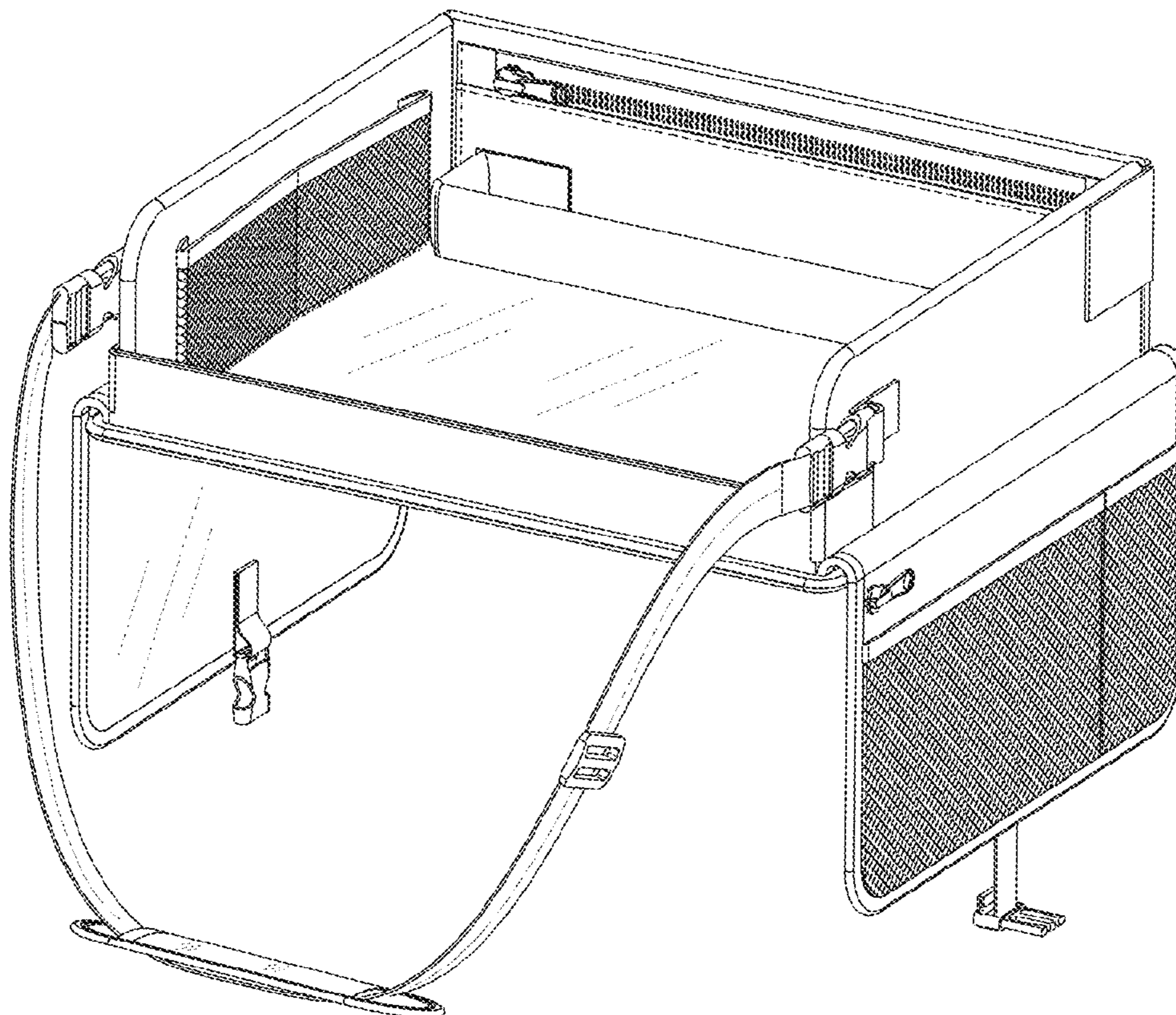
FIG. 1 is a perspective view illustrating the new design for a travel tray;
 FIG. 2 is a front elevation view thereof;
 FIG. 3 is a back elevation view thereof;
 FIG. 4 is a left elevation view thereof;
 FIG. 5 is a right elevation view thereof;
 FIG. 6 is a top elevation view thereof; and,
 FIG. 7 is a bottom elevation view thereof.

1 Claim, 7 Drawing Sheets

(56) **References Cited**

U.S. PATENT DOCUMENTS

- D152,153 S * 12/1948 Harvey D6/349
- 4,123,852 A * 11/1978 Zimowski G09B 1/20
108/49
- D289,247 S * 4/1987 Wang D6/406.6
- D319,358 S * 8/1991 Giugiaro D6/406.6
- D355,787 S * 2/1995 Rae D6/406.6
- D359,862 S * 7/1995 Rousch D12/419



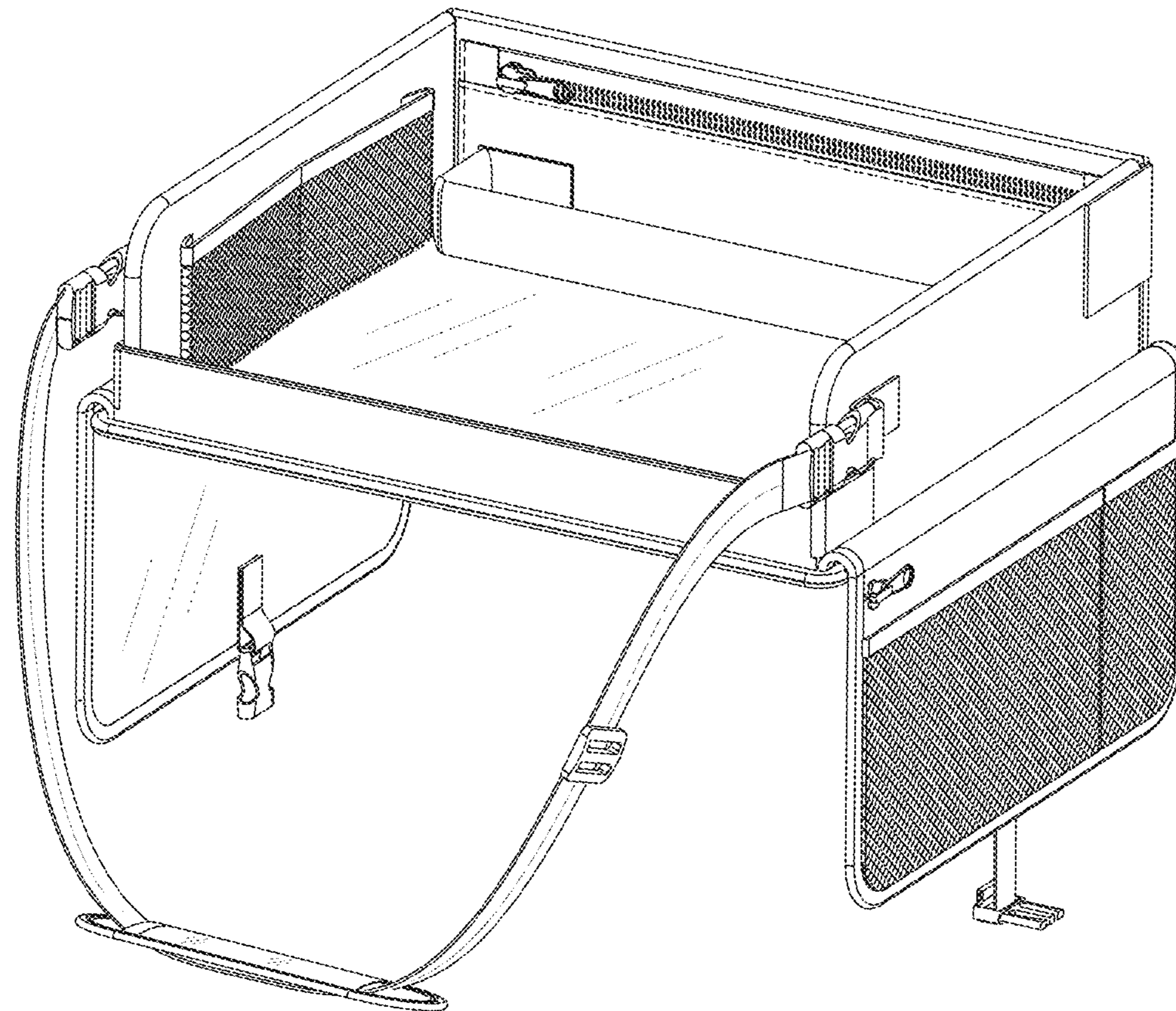


FIG. 1

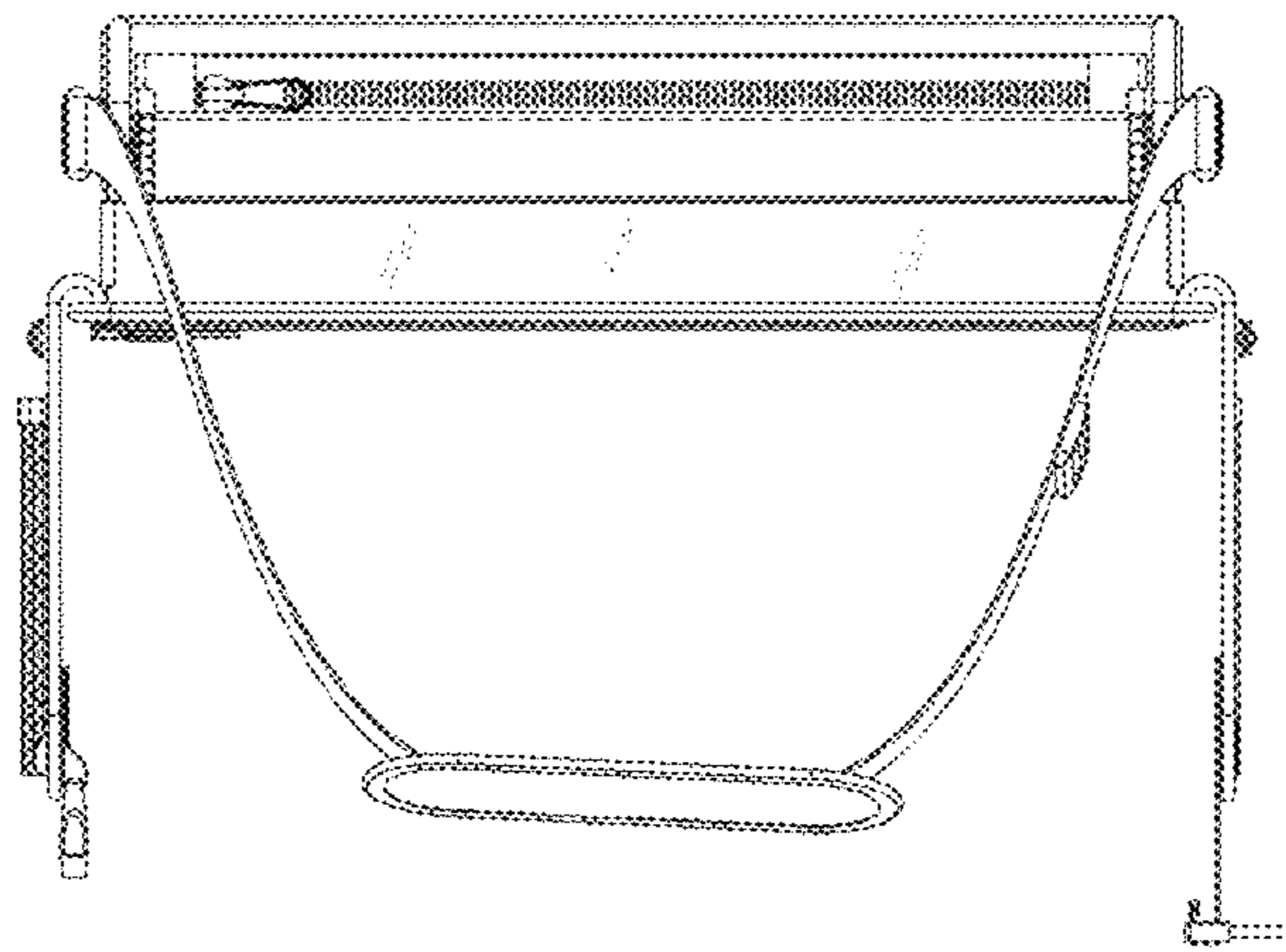


FIG. 2

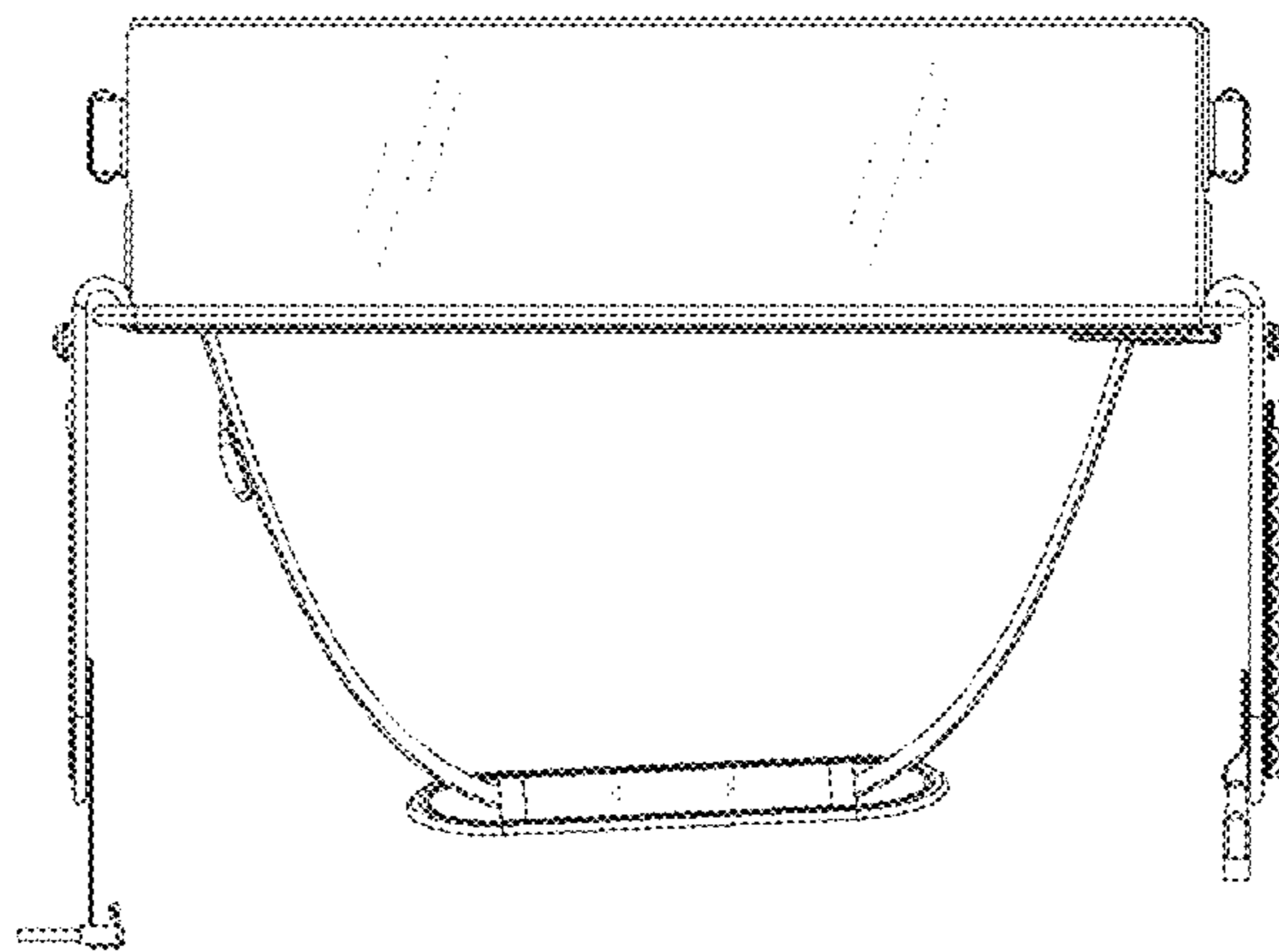


FIG. 3

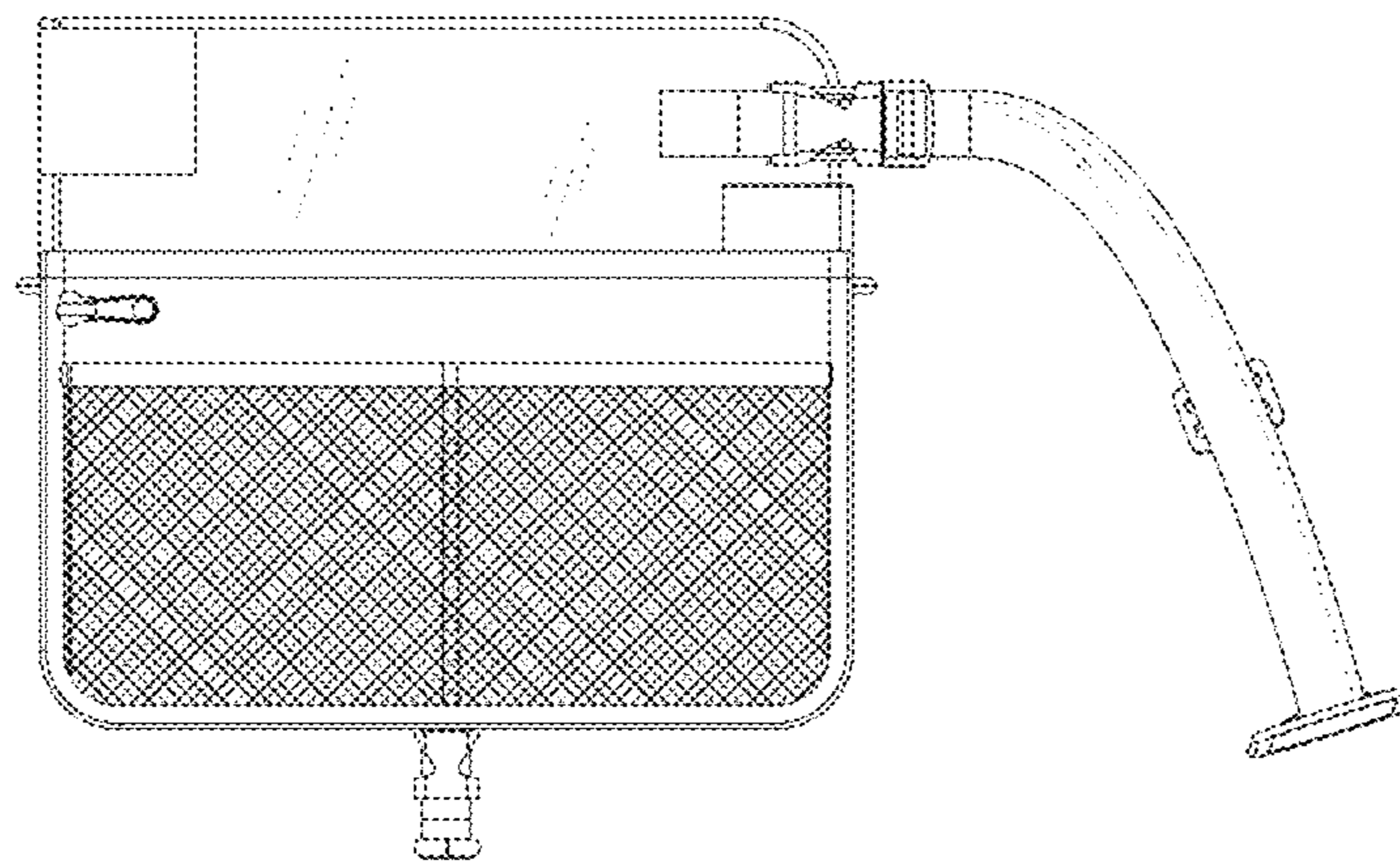


FIG. 4

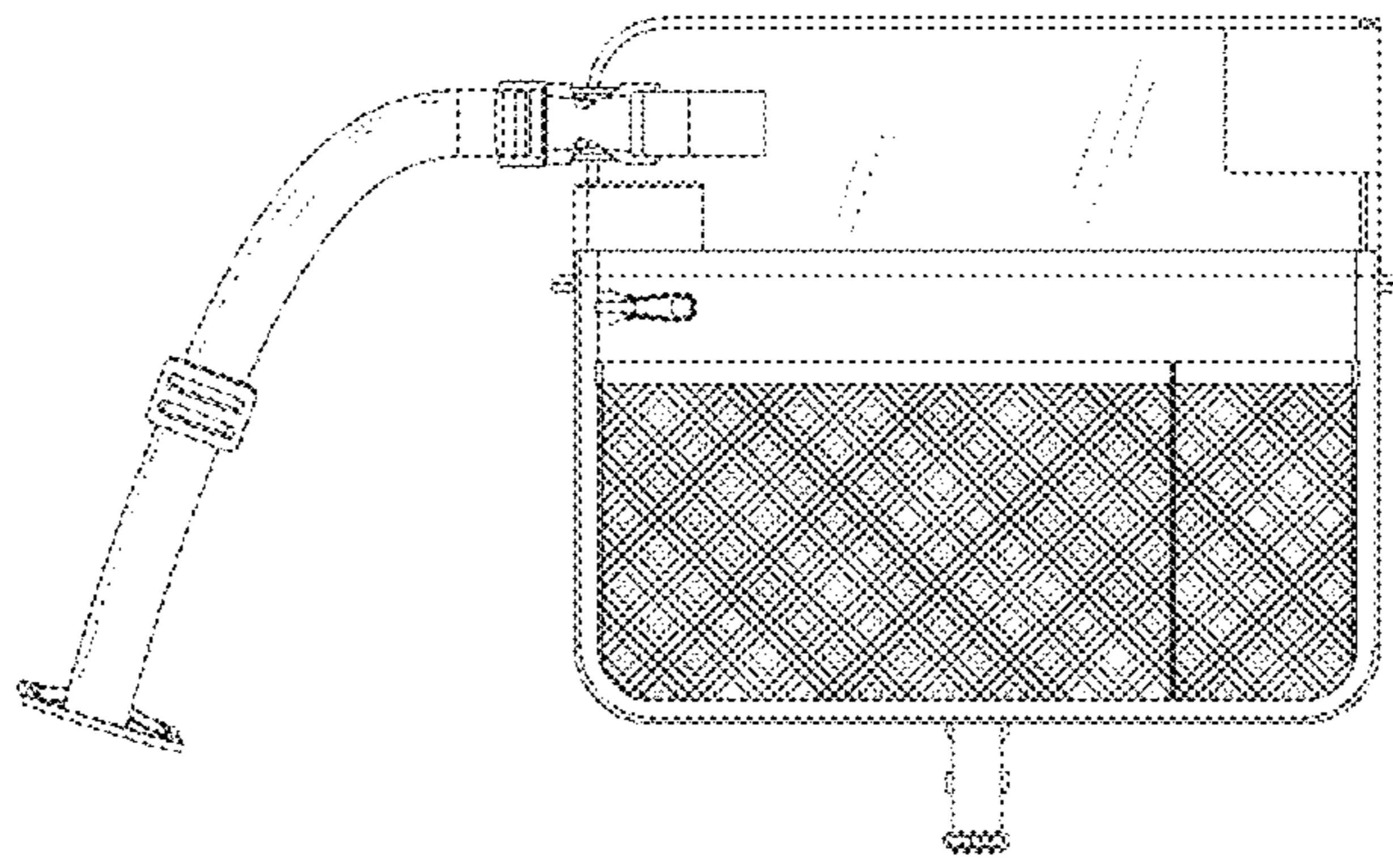


FIG. 5

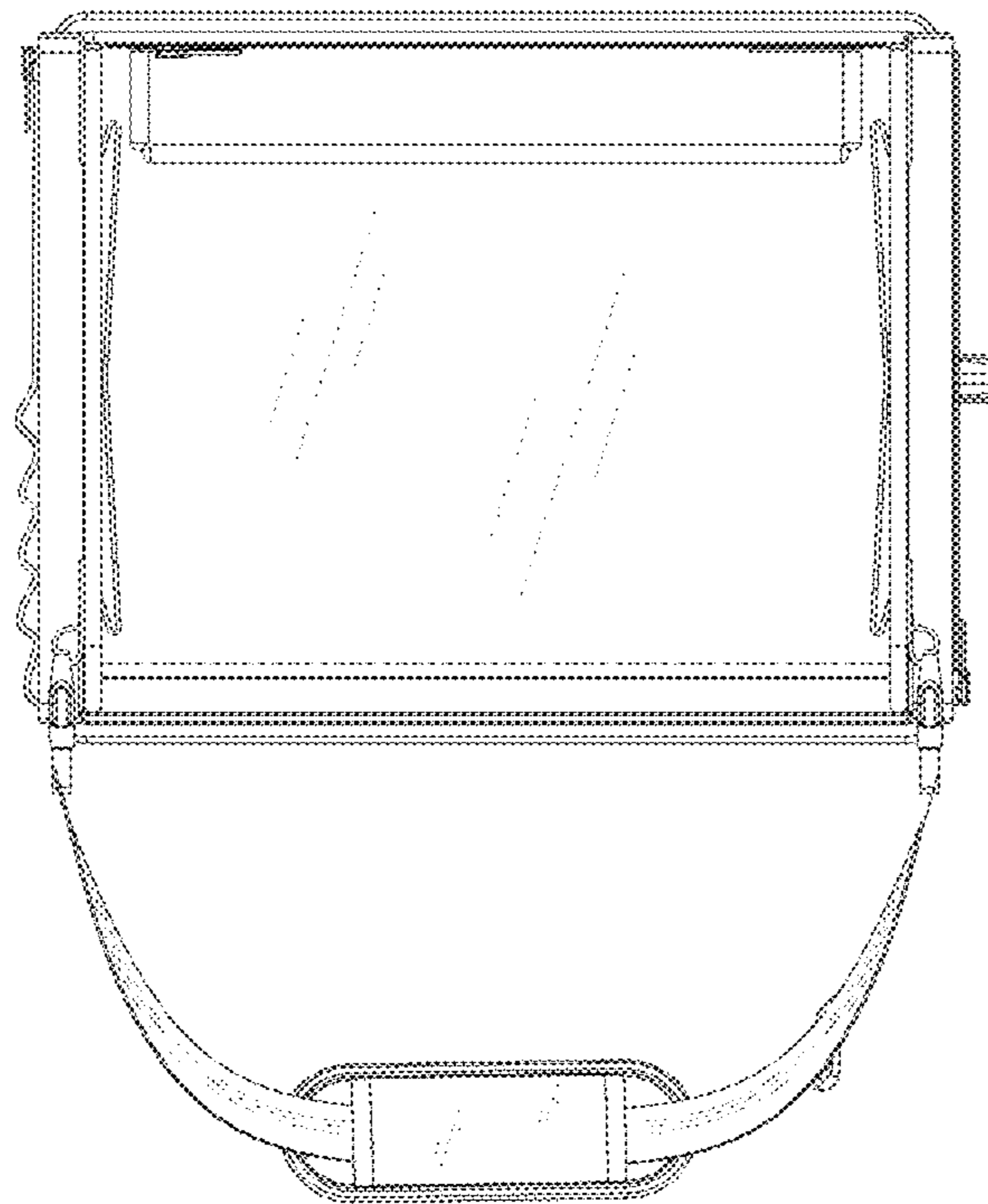


FIG. 6

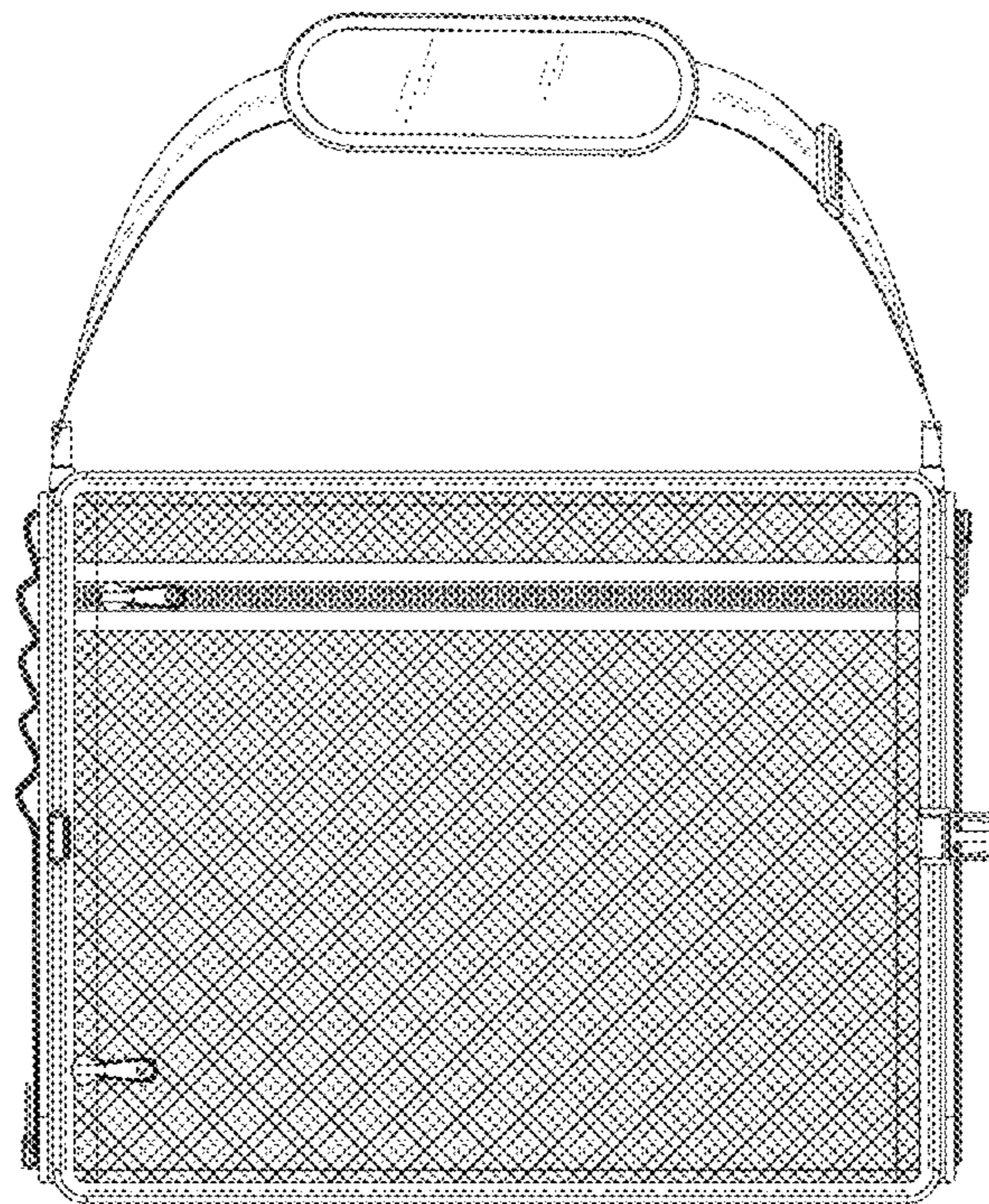


FIG. 7