



US00D930384S

(12) **United States Design Patent** (10) **Patent No.:** **US D930,384 S**  
**Nie** (45) **Date of Patent:** **\*\* Sep. 14, 2021**

(54) **SOFA**  
(71) Applicant: **Weiyuan Nie**, Liuyang (CN)  
(72) Inventor: **Weiyuan Nie**, Liuyang (CN)  
(\*\*) Term: **15 Years**  
(21) Appl. No.: **29/745,807**

D859,874 S \* 9/2019 Lipparini ..... D6/381  
D871,791 S \* 1/2020 Carter ..... D6/377  
D893,215 S \* 8/2020 Qiu ..... D6/381  
2018/0303243 A1 \* 10/2018 Policicchio ..... G11C 11/2273  
2020/0121090 A1 \* 4/2020 Romano ..... A47C 15/00

**FOREIGN PATENT DOCUMENTS**

EM 005586005-0001 \* 8/2018  
EM 008403042-0029 \* 1/2021

(22) Filed: **Aug. 10, 2020**  
(51) **LOC (13) Cl.** ..... **06-01**  
(52) **U.S. Cl.**  
USPC ..... **D6/381**  
(58) **Field of Classification Search**  
USPC ..... D6/334–336, 349, 369, 377, 379, 381  
CPC ..... A47C 17/00; A47C 17/02; A47C 17/04;  
A47C 17/045; A47C 17/12; A47C 17/13;  
A47C 17/132; A47C 17/134; A47C  
17/136; A47C 17/16; A47C 17/162; A47C  
17/17; A47C 17/18; A47C 17/86  
See application file for complete search history.

**OTHER PUBLICATIONS**

Homelegance Dunstan 2-Piece Dark Gray Sectional Sofa Set [online], [site visited Jul. 28, 2021]. Available from internet, URL: <<https://www.blvdhome.com/product/homelegance-dunstan-2-piece-dark-gray-sectional-sofa-set-9367dgsc-690734>> (Year: 2021).\*  
Indivi Corner Sofa with Lounging Unit [online], [site visited Jul. 28, 2021]. Available from internet, URL: <<https://www.boconcept.com/en-us/indivi/4206058NS702307.html>> (Year: 2021).\*

(Continued)

*Primary Examiner* — Cynthia Ramirez  
*Assistant Examiner* — Xavier Marti-Santos

(56) **References Cited**

**U.S. PATENT DOCUMENTS**

D488,315 S \* 4/2004 Natuzzi ..... D6/377  
D489,544 S \* 5/2004 Nastri ..... D6/377  
D498,941 S \* 11/2004 Ricci ..... D6/335  
D584,522 S \* 1/2009 Ricci ..... D6/381  
D600,042 S \* 9/2009 Natuzzi ..... D6/381  
D677,493 S \* 3/2013 Masson ..... D6/381  
D717,063 S \* 11/2014 Zhang ..... D6/381  
D719,757 S \* 12/2014 Sonmez ..... D6/381  
D719,758 S \* 12/2014 Sonmez ..... D6/381  
D726,436 S \* 4/2015 Podsiadlo ..... D6/381  
D731,198 S \* 6/2015 Podsiadlo ..... D6/381  
D737,594 S \* 9/2015 Rafieha ..... D6/381  
D802,322 S \* 11/2017 Velez ..... D6/381  
D841,355 S \* 2/2019 Citterio ..... D6/381

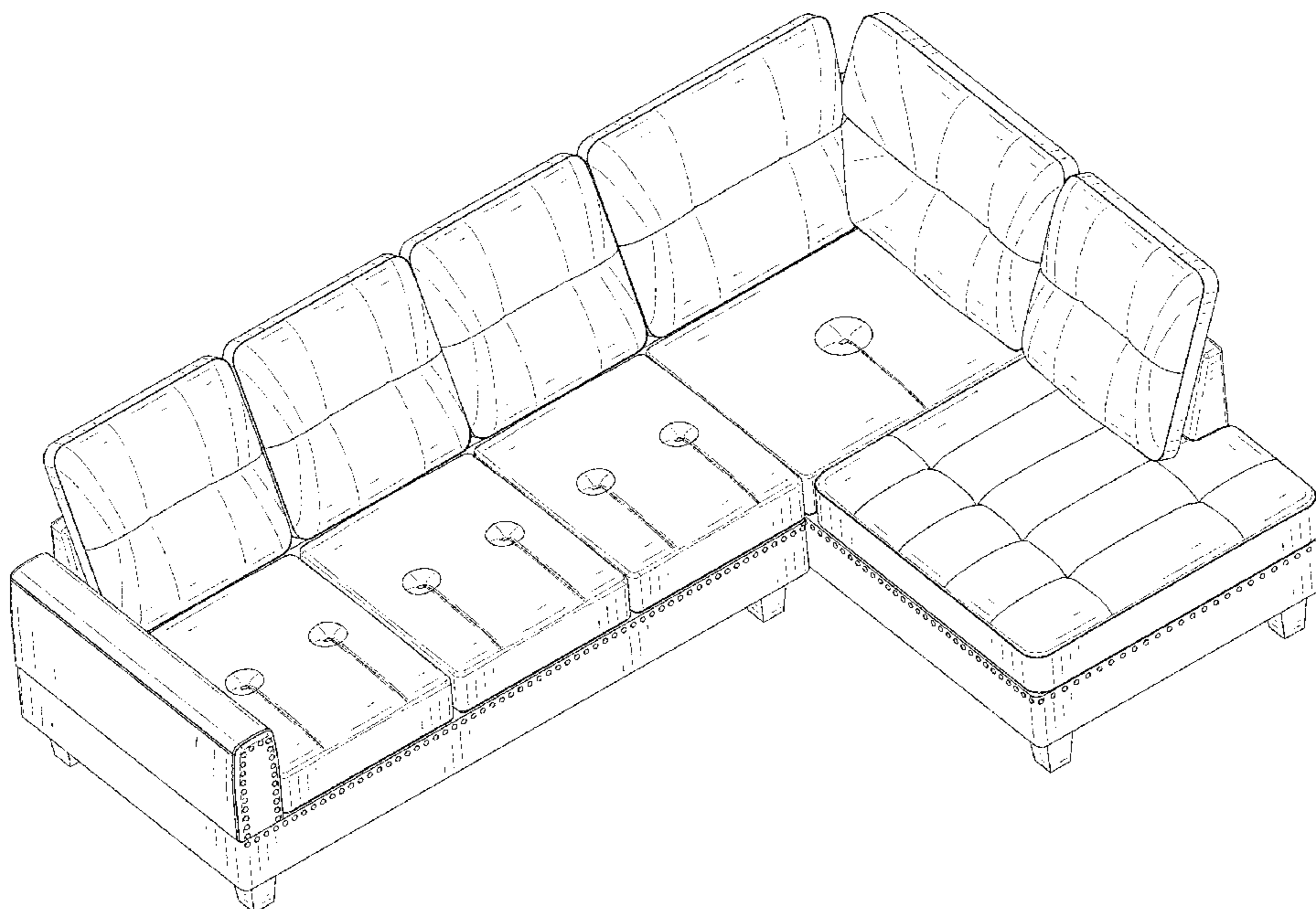
(57) **CLAIM**

The ornamental design for a sofa, as shown and described.

**DESCRIPTION**

FIG. 1 is a perspective view of a sofa showing my new design;  
FIG. 2 is another perspective view thereof;  
FIG. 3 is a front elevational view thereof;  
FIG. 4 is a rear elevational view thereof;  
FIG. 5 is a left side elevational view thereof;  
FIG. 6 is a right side elevational view thereof;  
FIG. 7 is a top plan view thereof; and,  
FIG. 8 is a bottom plan view thereof.

**1 Claim, 8 Drawing Sheets**



(56)

**References Cited**

OTHER PUBLICATIONS

Beverly Fine Furniture Andes Microfiber with Faux Leather Sofa Set [online], [site visited Jul. 28, 2021]. Available from internet, URL: <[https://www.amazon.com/Beverly-Fine-Furniture-F104A-Microfiber/dp/B076Q6YMVC/ref=sr\\_1\\_193?dchild=1&keywords=Green+Sectional+Sofa+With+Chaise&qid=1627477129&sr=8-193](https://www.amazon.com/Beverly-Fine-Furniture-F104A-Microfiber/dp/B076Q6YMVC/ref=sr_1_193?dchild=1&keywords=Green+Sectional+Sofa+With+Chaise&qid=1627477129&sr=8-193)> (Year: 2019).\*

HONBAY Reversible Sectional Sofa [online], [site visited Jul. 28, 2021]. Available from internet, URL: <<https://www.amazon.com/HONBAY-Reversible-Sectional-L-Shape-Apartment/dp/B07ZHCZ5K1/>> (Year: 2019).\*

Lucy Dark Grey 2 Piece 114" Sectional With Left Arm Facing Chaise [online], [site visited Jul. 28, 2021]. Available from internet, URL: <<https://www.livingspaces.com/pdp-lucy-dark-grey-2-piece-sectional-wlaf-chaise-225972>> (Year: 2021).\*

GREY Sophy 98" Wide Linen Right Hand Facing Sofa & Chaise [online], [site visited Jul. 28, 2021]. Available from internet, URL: <<https://www.daydreamdecorstore.com/store/GREY-Sophy-98-Wide-Linen-Right-Hand-Facing-Sofa-&-Chaise-p365887893>> (Year: 2021).\*

\* cited by examiner

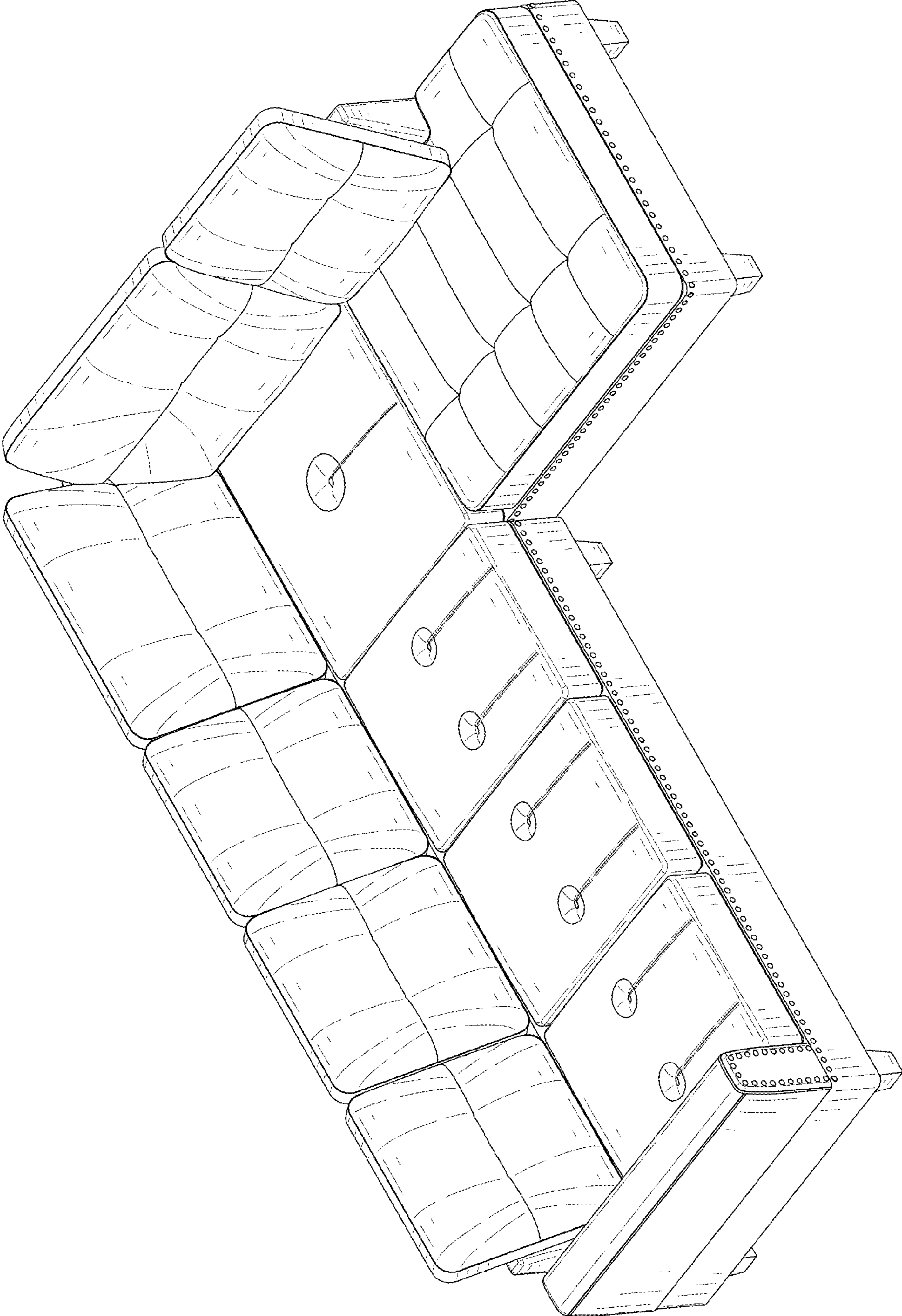


FIG. 1

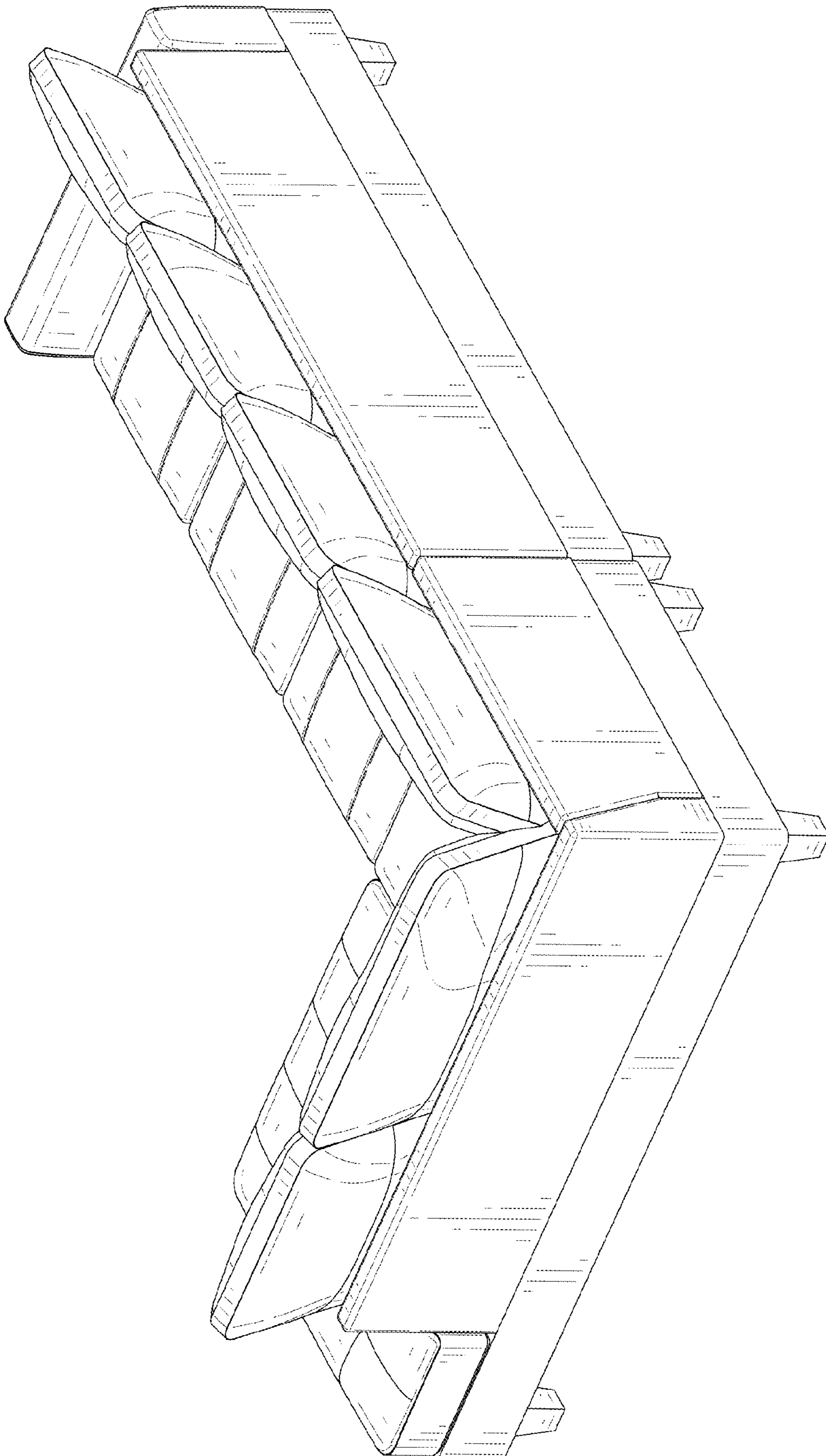


FIG. 2

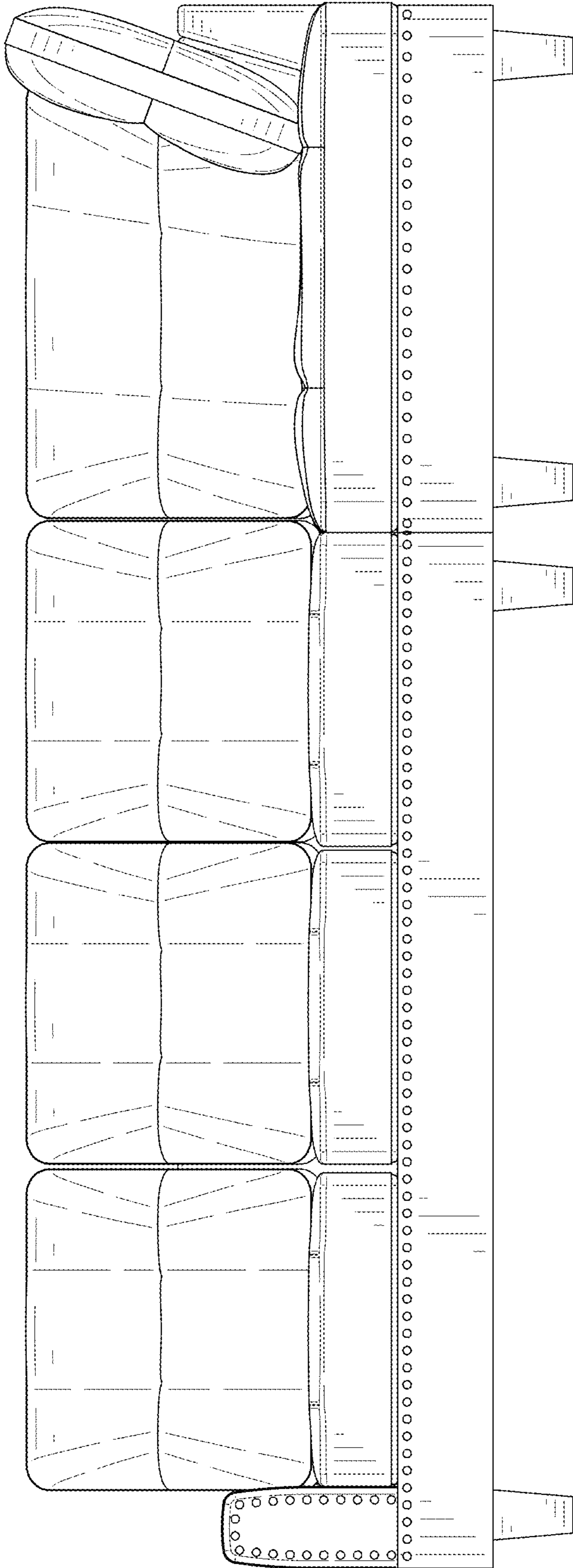


FIG. 3

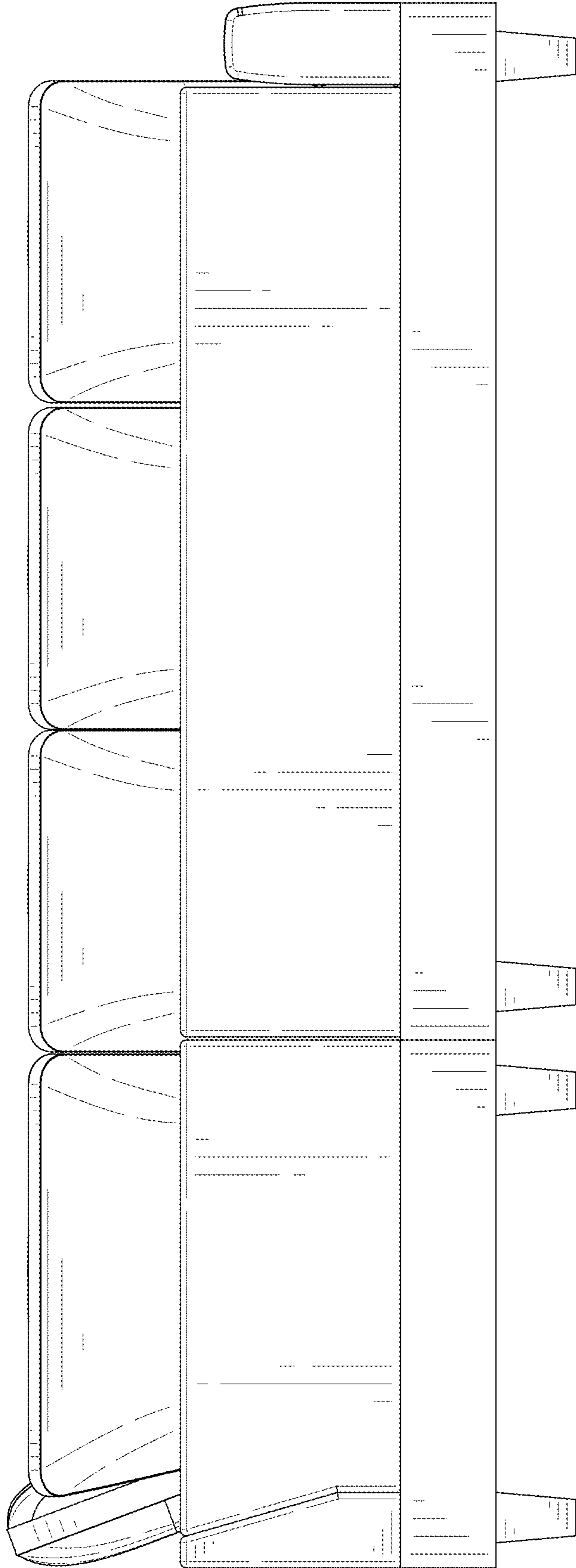


FIG. 4

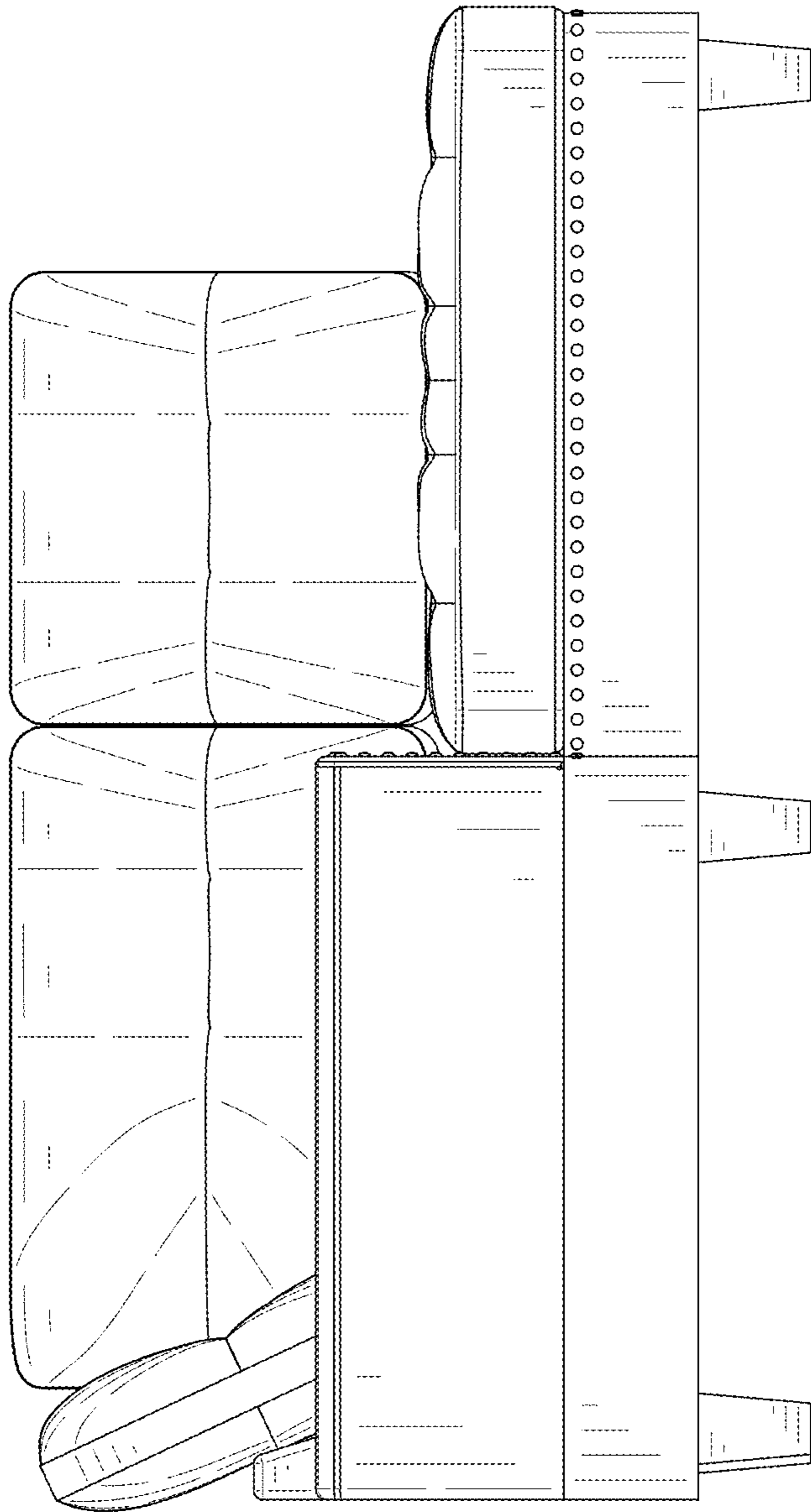


FIG. 5

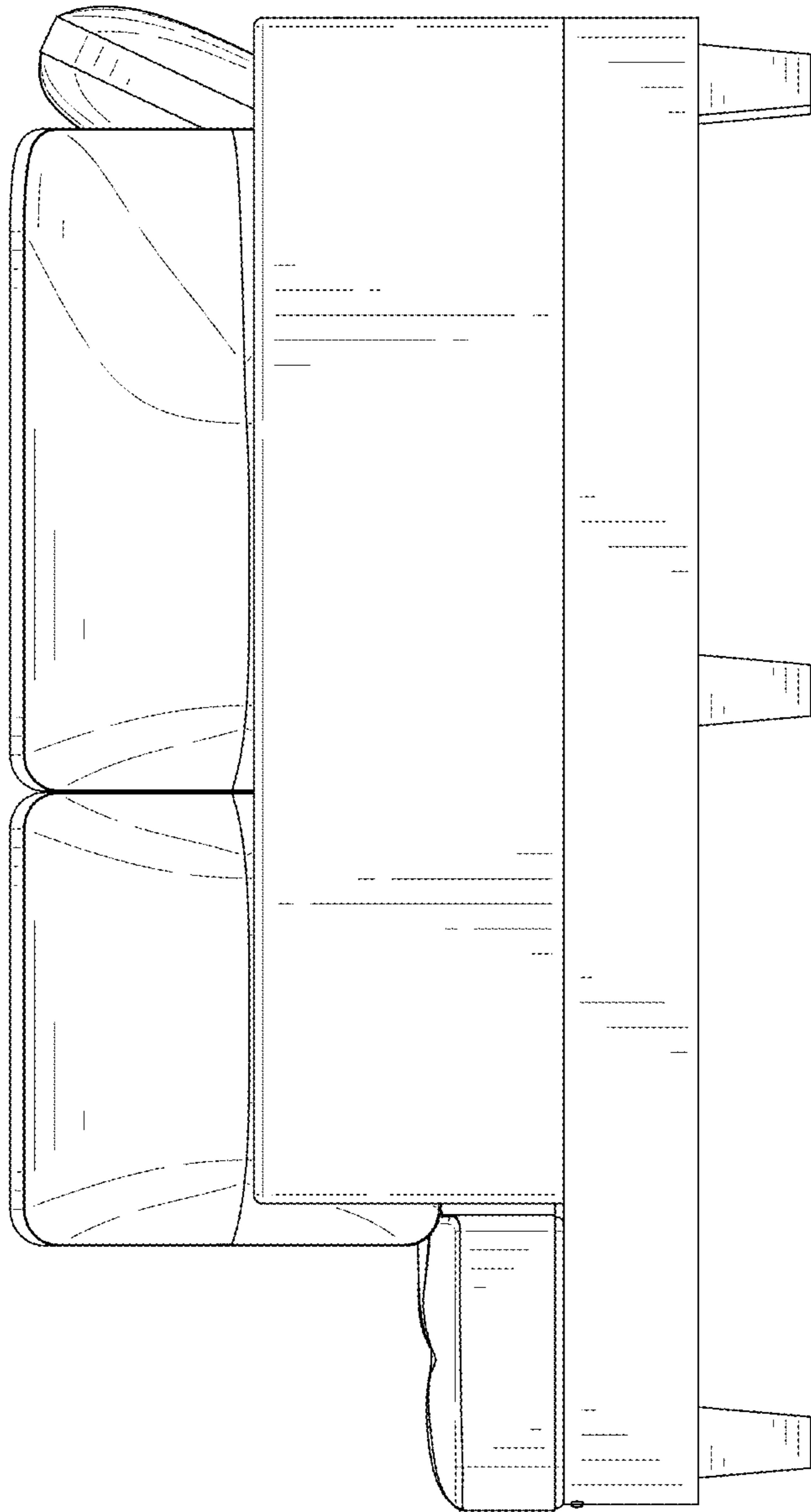


FIG. 6



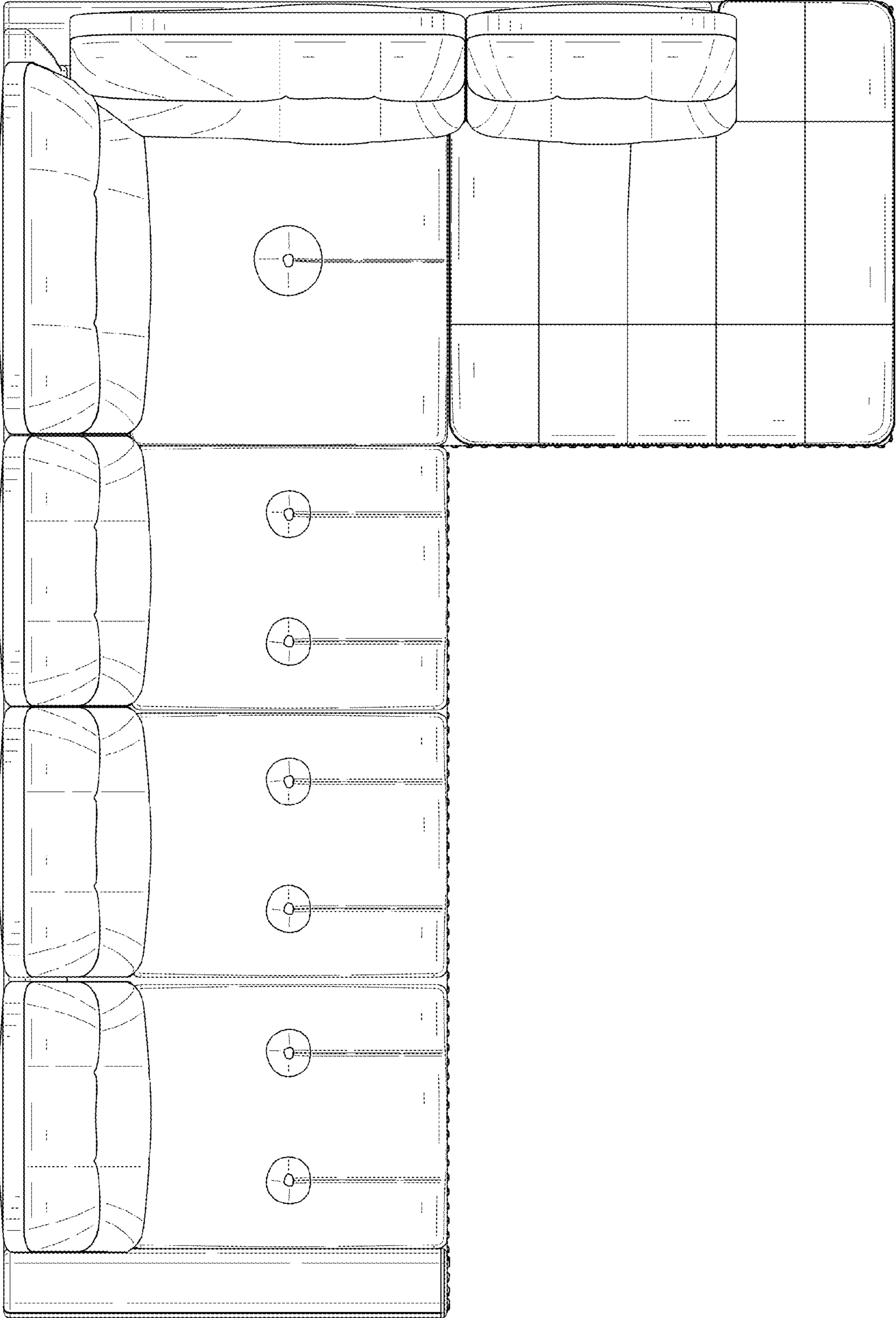


FIG. 7

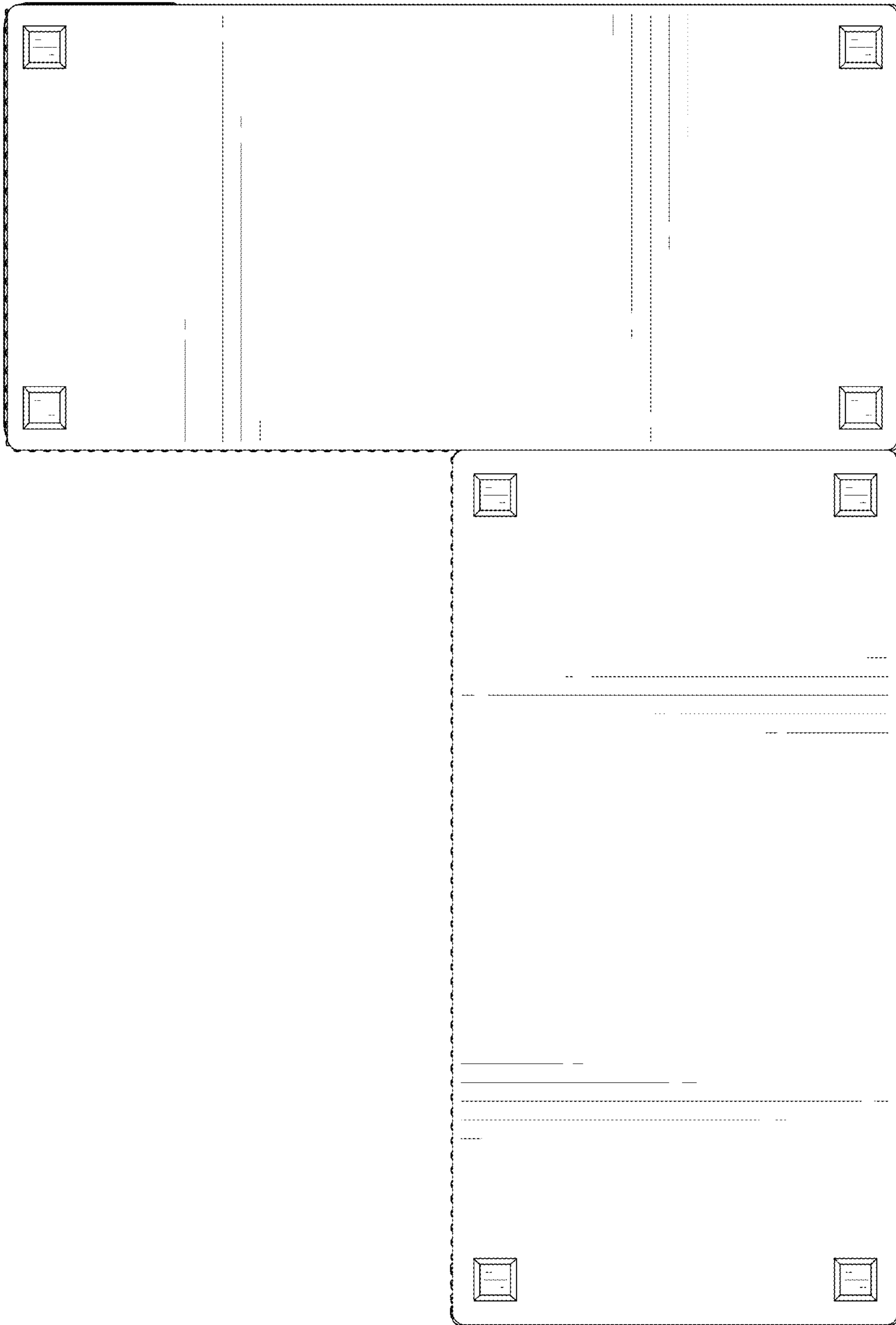


FIG. 8