



US00D930380S

(12) **United States Design Patent** (10) **Patent No.:** **US D930,380 S**  
**Han** (45) **Date of Patent:** **\*\* Sep. 14, 2021**

(54) **CHAIR**

(71) Applicant: **PATRA CO., LTD.**, Yongin-si (KR)

(72) Inventor: **Sangkook Han**, Seongnam-si (KR)

(73) Assignee: **PATRA CO., LTD.**, Yongin-si (KR)

(\*\*) Term: **15 Years**

(21) Appl. No.: **29/727,027**

(22) Filed: **Mar. 7, 2020**

(51) **LOC (13) Cl.** ..... **06-01**

(52) **U.S. Cl.**  
USPC ..... **D6/375**

(58) **Field of Classification Search**

USPC ..... D6/333, 334, 341, 348, 349, 350, 352,  
D6/353, 360, 364, 369, 370, 371, 373,  
D6/374, 375, 376, 377, 379, 380, 390,  
D6/677, 692, 700, 708, 708.16, 716, 366,  
D6/709, 709.16, 709.2, 709.21, 709.22,  
D6/710, 711, 711.1, 717; D16/237;  
D21/412, 419, 521  
CPC ..... A47C 1/124; A47C 3/34; A47C 4/028;  
A47C 4/02; A47C 5/12; A47C 5/125;  
A47C 7/506; A47C 9/007; A47C 13/005;  
A47C 13/023; A47C 31/113; A47C 3/00;  
A47C 4/08; A47C 4/00; A47C 7/70;  
A47C 7/405; A47C 13/00; B60R 2/0284;  
B60R 2/062; B60R 22/001; B60R 22/24;  
B60R 22/28; B60R 22/58; B60R 22/64;  
B60R 22/68; B60R 22/80; B60R 22/99;  
B60R 22/245; B60R 22/643; B60R  
22/646; B60R 22/665; B60R 22/686;  
B60R 22/688; B60R 22/803; B60R  
22/986; B60R 22/914; B60R 22/995;  
A47B 83/02; A47B 83/023; A47B  
83/024; A47B 85/04

See application file for complete search history.

(56) **References Cited**

U.S. PATENT DOCUMENTS

3,133,762	A *	5/1964	Newman .....	A47C 3/04 297/239
D447,643	S *	9/2001	Zemp .....	D6/374
D665,593	S *	8/2012	Morrison .....	D6/375
D666,015	S *	8/2012	Morrison .....	D6/360
D690,147	S *	9/2013	Meyer .....	D6/716
D723,826	S *	3/2015	Kaloustian .....	D6/375
D819,380	S *	6/2018	Chavarria .....	D6/716
D858,128	S *	9/2019	Li .....	D6/360
D862,103	S *	10/2019	Hertzog .....	D6/376
D891,138	S *	7/2020	Starck .....	D6/374
D891,804	S *	8/2020	Selma Lazaro .....	D6/374
D907,392	S *	1/2021	Fioravanti .....	D6/375
D907,393	S *	1/2021	Fioravanti .....	D6/375

\* cited by examiner

*Primary Examiner* — Kevin K Rudzinski

*Assistant Examiner* — Paul D Bohannon

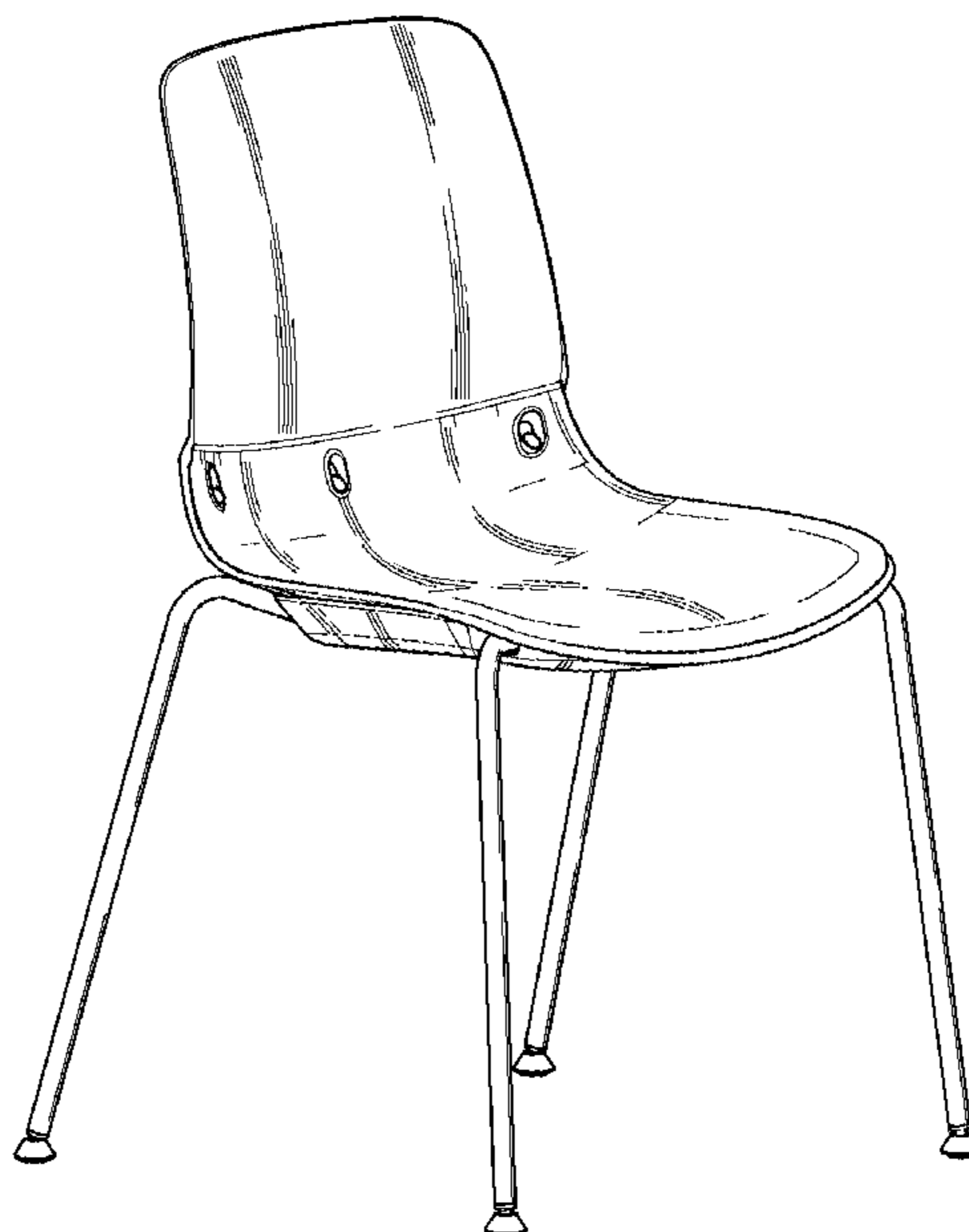
(57) **CLAIM**

The ornamental design for a chair, as shown and described.

**DESCRIPTION**

FIG. 1 is a perspective view of a chair showing my new design;  
FIG. 2 is a front view of the chair of FIG. 1;  
FIG. 3 is a rear view of the chair of FIG. 1;  
FIG. 4 is a left side view of the chair of FIG. 1;  
FIG. 5 is a right side view of the chair of FIG. 1;  
FIG. 6 is a top view of the chair of FIG. 1; and,  
FIG. 7 is a bottom plan view of the chair of FIG. 1.

**1 Claim, 7 Drawing Sheets**



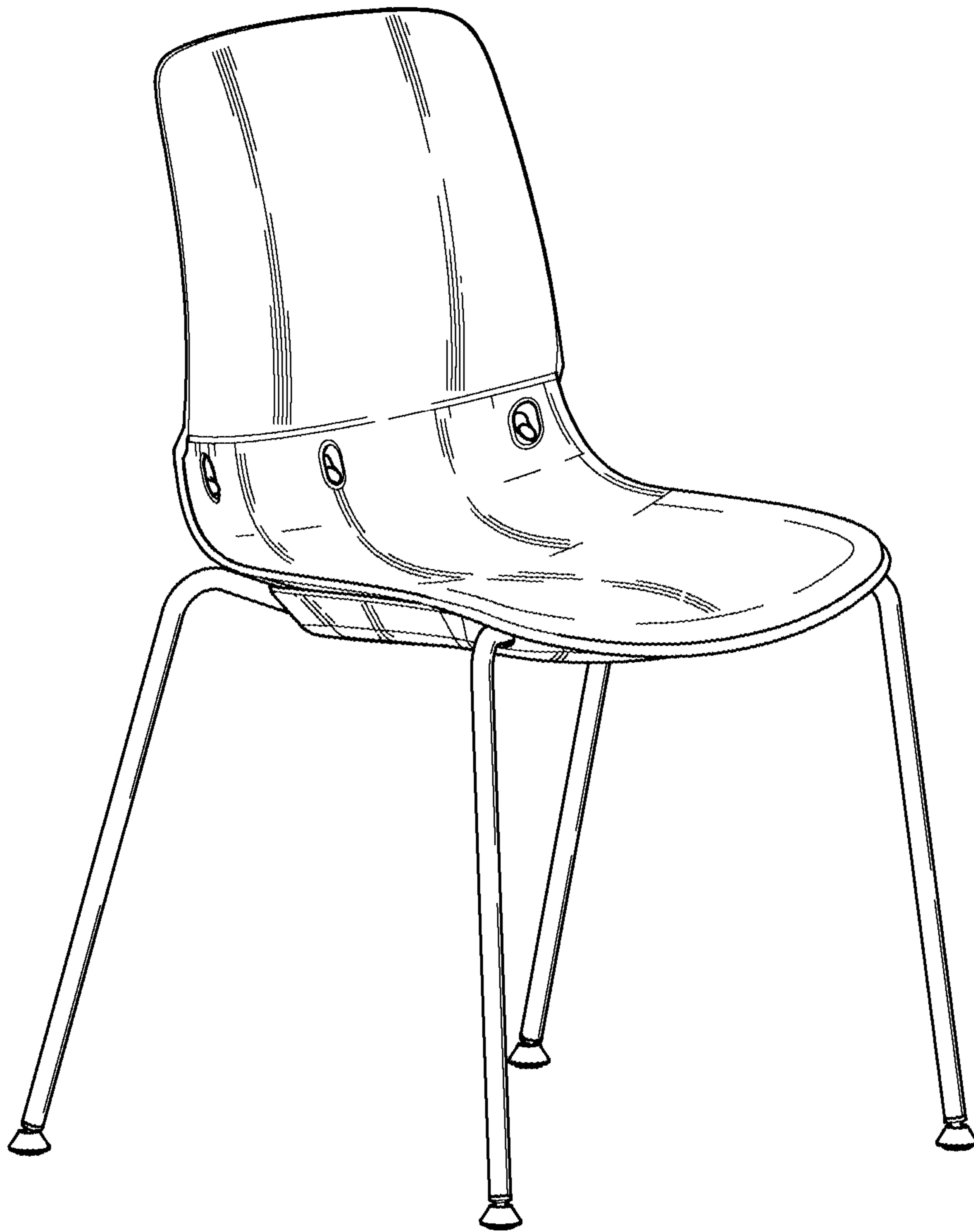


Fig.1

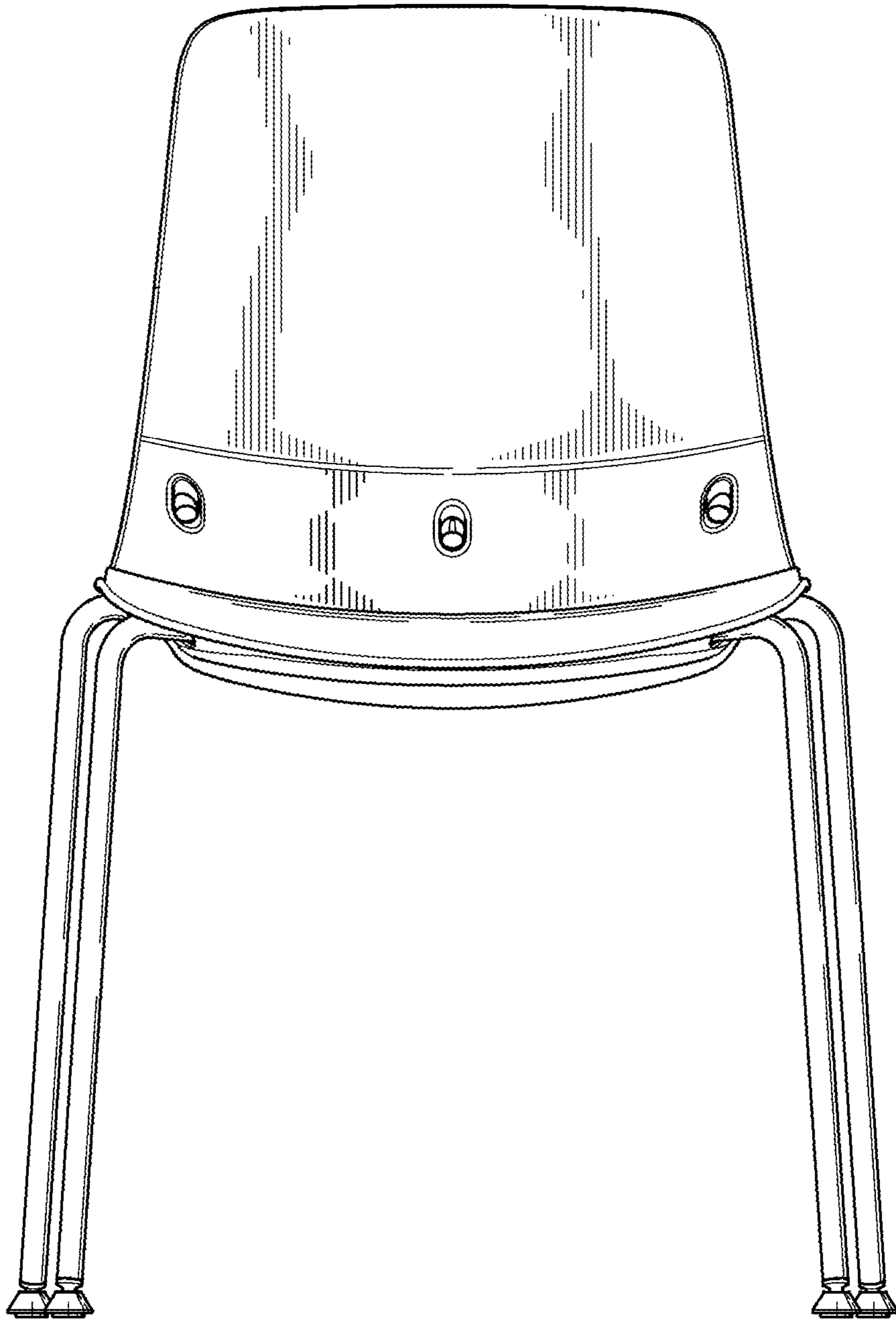


Fig.2

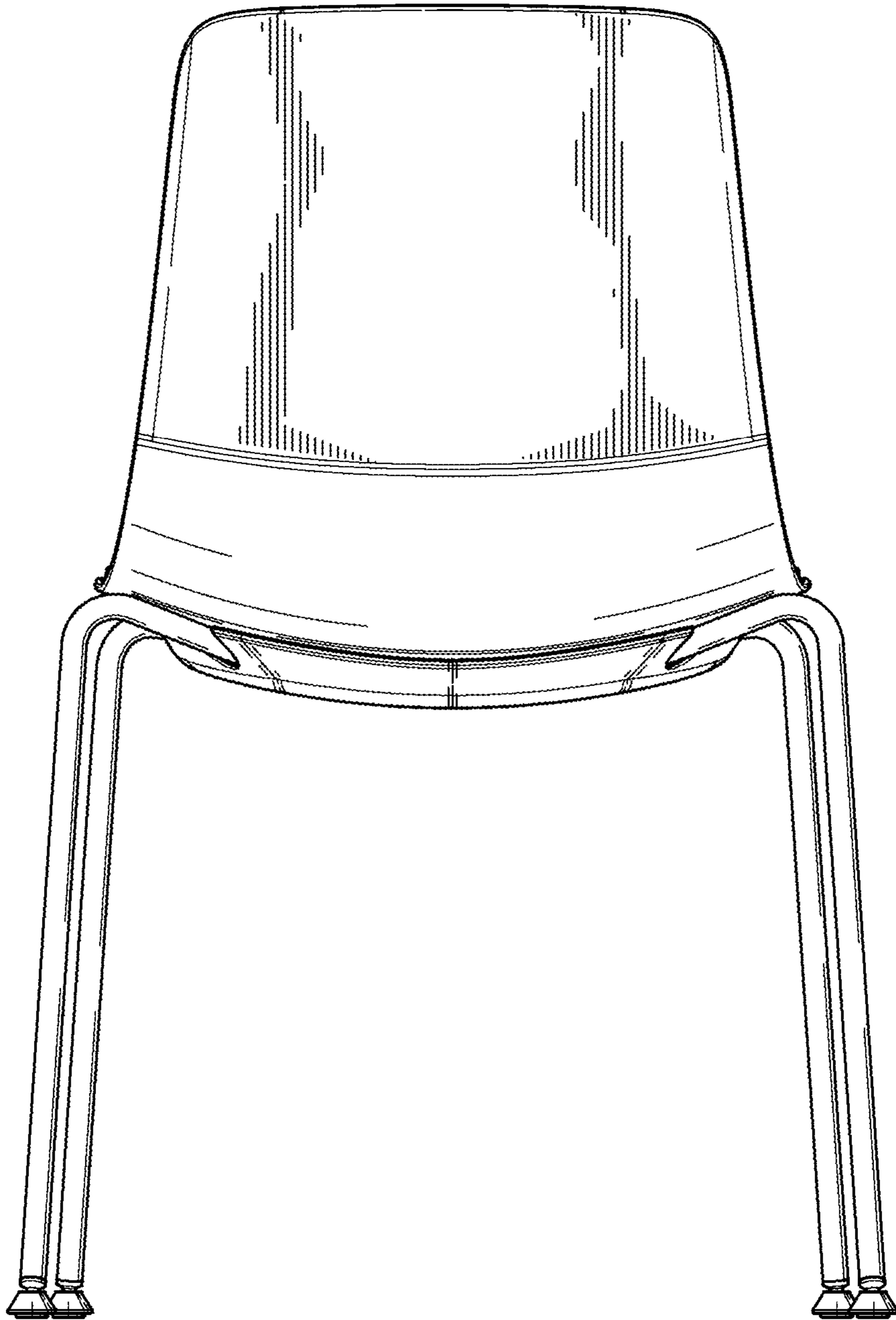


Fig.3

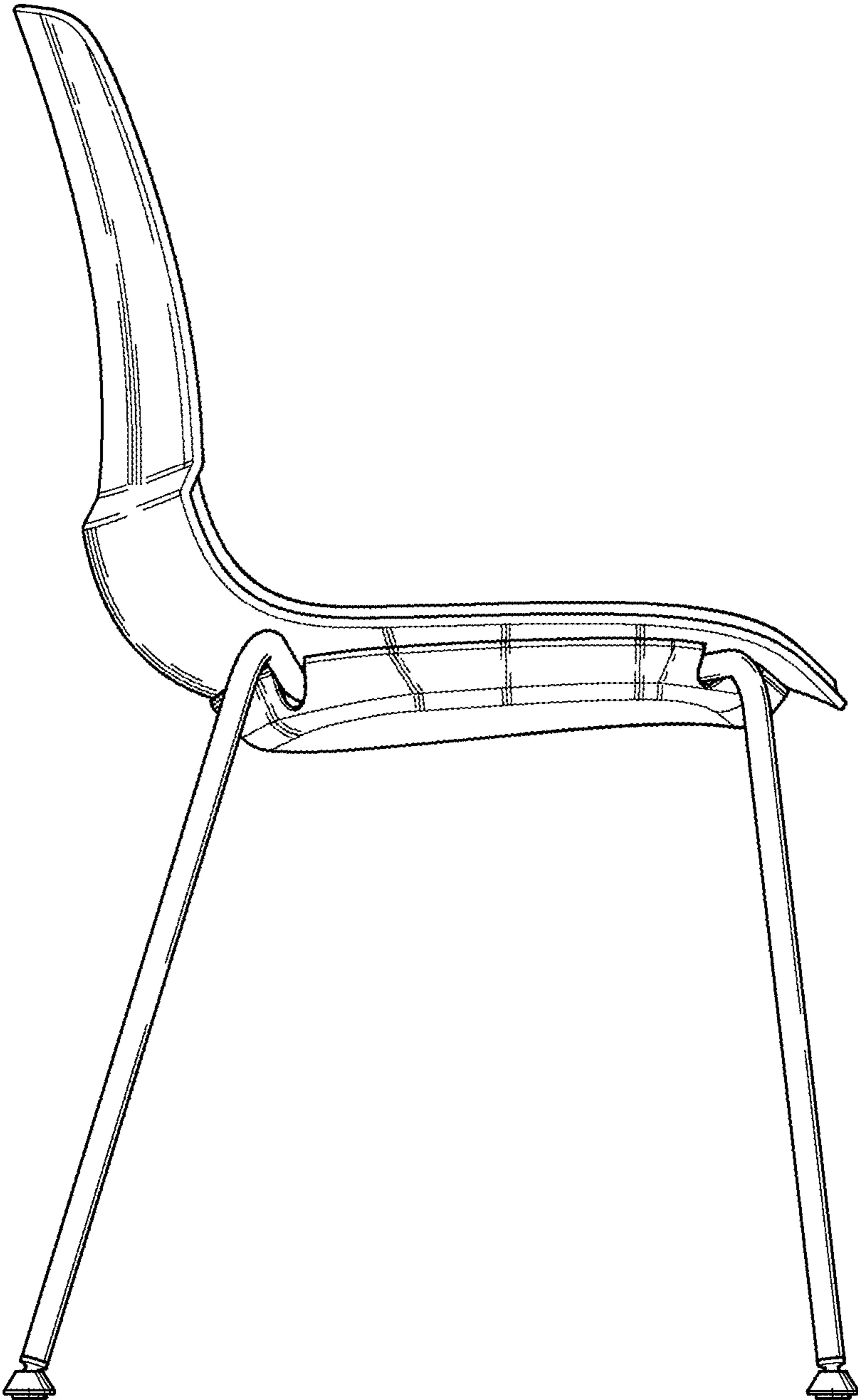


Fig.4



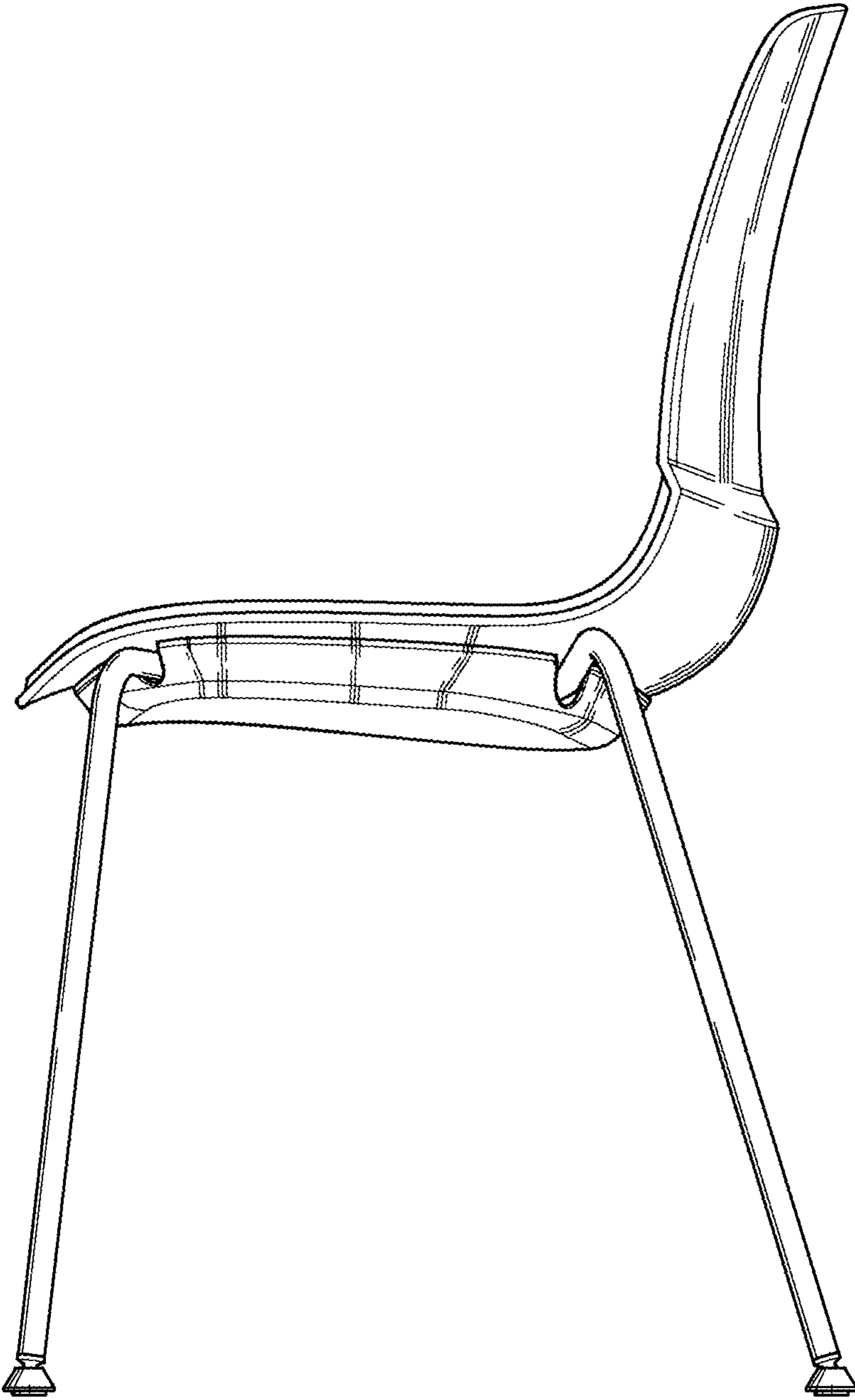


Fig.5

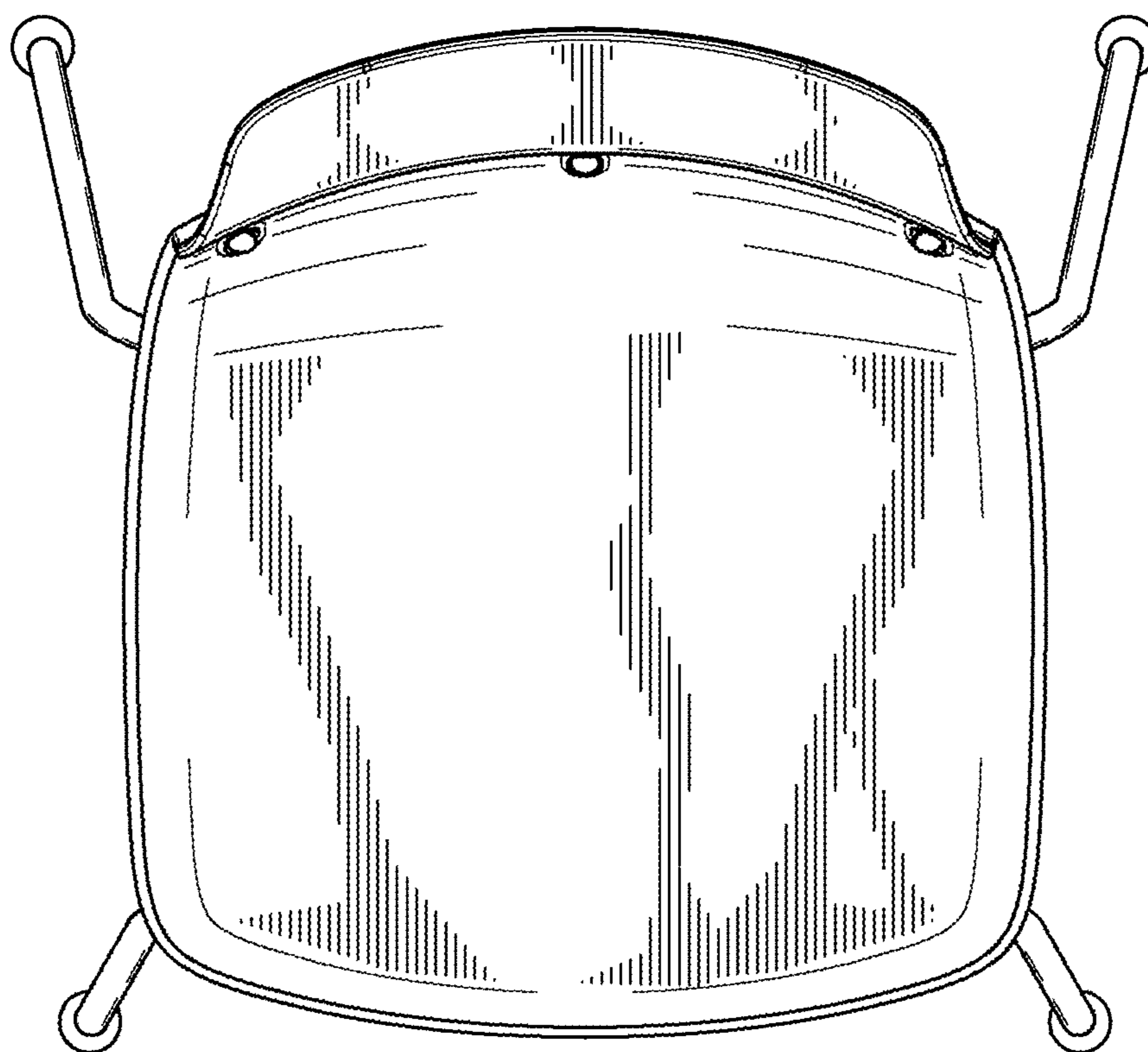


Fig.6

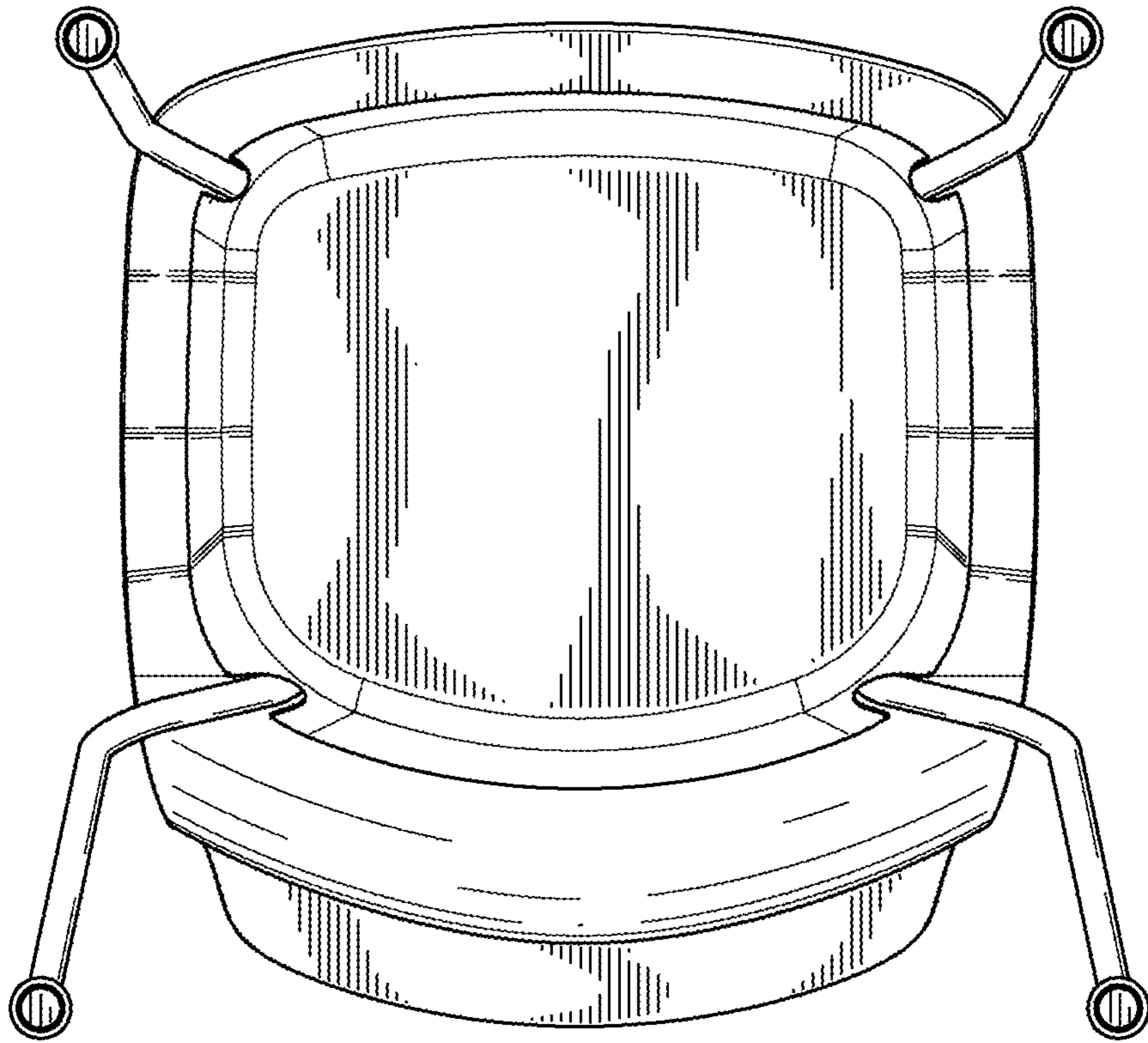


Fig.7