



US00D930379S

(12) **United States Design Patent** (10) **Patent No.:** **US D930,379 S**  
**Miller et al.** (45) **Date of Patent:** **\*\* \*Sep. 14, 2021**

(54) **CHAIR**

22/986; B60R 22/914; B60R 22/995;  
A47B 83/02; A47B 83/023; A47B  
83/024; A47B 85/04

(71) Applicant: **Poppin, Inc.**, New York, NY (US)

See application file for complete search history.

(72) Inventors: **Jeffrey Frederick Miller**, New York, NY (US); **Matteo Bonacina**, New York, NY (US); **Adrian Gomez**, Edgewater, NJ (US)

(56)

**References Cited**

U.S. PATENT DOCUMENTS

D191,704 S *	11/1961	Stauffer .....	D6/375
D269,831 S *	7/1983	Crone .....	D6/373
D663,132 S *	7/2012	Morrison .....	D6/375
D665,593 S *	8/2012	Morrison .....	D6/375
D715,569 S *	10/2014	Laub .....	D6/375
D715,570 S *	10/2014	Laub .....	D6/375
D715,571 S *	10/2014	Laub .....	D6/375
D715,572 S *	10/2014	Laub .....	D6/375
D729,538 S *	5/2015	Kotilainen .....	D6/375
D748,927 S *	2/2016	Feichtner .....	D6/375
D844,341 S *	4/2019	Tran .....	D6/375
D889,157 S *	7/2020	Valdiserri .....	D6/376
D889,874 S *	7/2020	Corrado .....	D6/375

\* cited by examiner

*Primary Examiner* — Kevin K Rudzinski

*Assistant Examiner* — Paul D Bohannon

(74) *Attorney, Agent, or Firm* — K&L Gates LLP

(73) Assignee: **Poppin, Inc.**, New York, NY (US)

(\*) Notice: This patent is subject to a terminal disclaimer.

(\*\*) Term: **15 Years**

(21) Appl. No.: **29/708,931**

(22) Filed: **Oct. 10, 2019**

(51) **LOC (13) Cl.** ..... **06-01**

(52) **U.S. Cl.**  
USPC ..... **D6/375**

(58) **Field of Classification Search**  
 USPC ..... D6/333, 334, 341, 348, 349, 350, 352,  
 D6/353, 360, 364, 369, 370, 371, 373,  
 D6/374, 375, 376, 377, 379, 380, 390,  
 D6/677, 692, 700, 708, 708.16, 716, 366;  
 D16/237; D21/412, 419, 521  
 CPC ..... A47C 1/124; A47C 3/34; A47C 4/028;  
 A47C 4/02; A47C 5/12; A47C 5/125;  
 A47C 7/506; A47C 9/007; A47C 13/005;  
 A47C 13/023; A47C 31/113; A47C 3/00;  
 A47C 4/08; A47C 4/00; A47C 7/70;  
 A47C 7/405; A47C 13/00; B60R 2/0284;  
 B60R 2/062; B60R 22/001; B60R 22/24;  
 B60R 22/28; B60R 22/58; B60R 22/64;  
 B60R 22/68; B60R 22/80; B60R 22/99;  
 B60R 22/245; B60R 22/643; B60R  
 22/646; B60R 22/665; B60R 22/686;  
 B60R 22/688; B60R 22/803; B60R

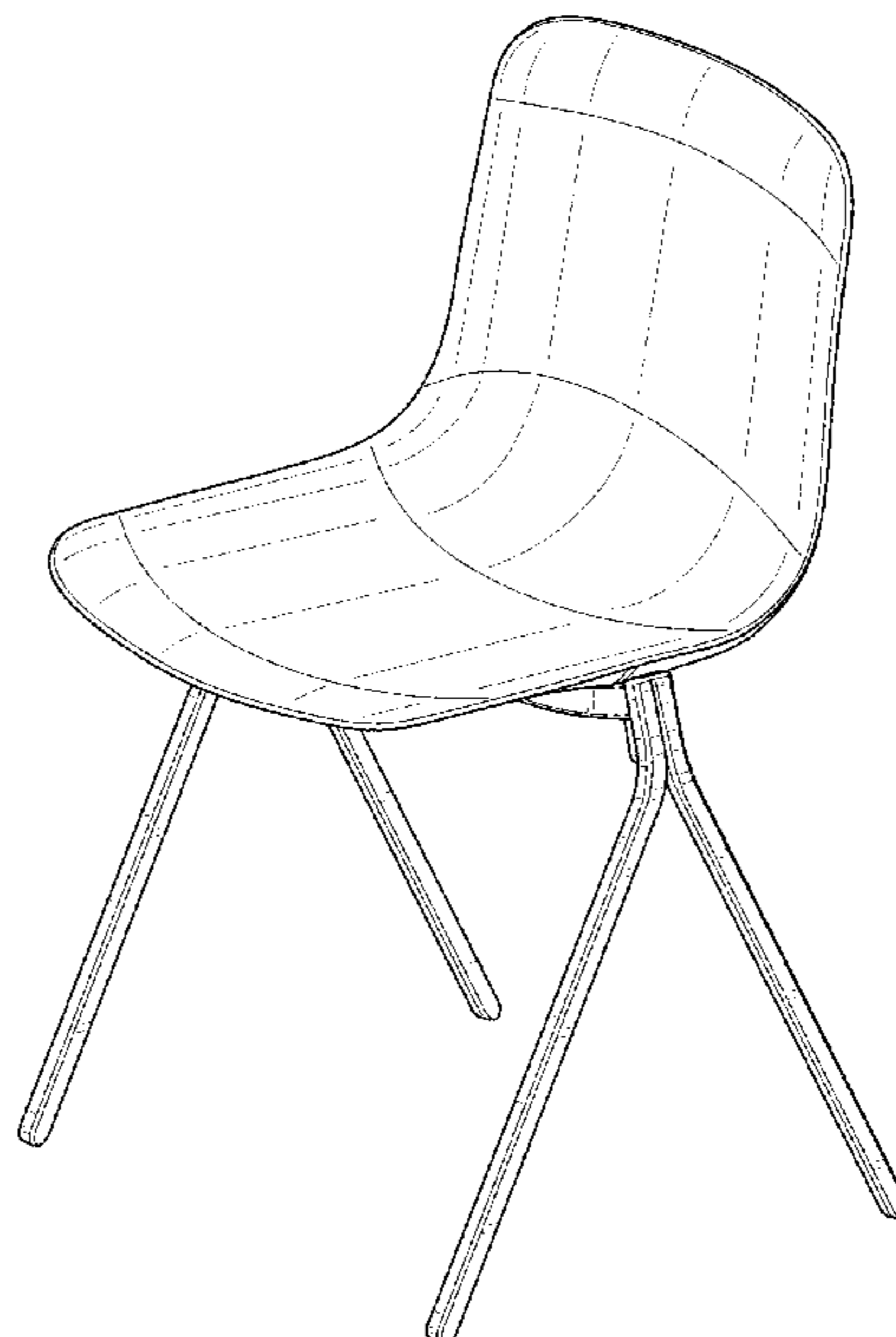
**CLAIM**

(57) The ornamental design for a chair, as shown and described.

**DESCRIPTION**

FIG. 1 is a perspective view of a chair.  
 FIG. 2 is a front view thereof.  
 FIG. 3 is a back view thereof.  
 FIG. 4 is a first side view thereof.  
 FIG. 5 is a second side view thereof.  
 FIG. 6 is a top view thereof; and,  
 FIG. 7 is a bottom view thereof.

**1 Claim, 7 Drawing Sheets**



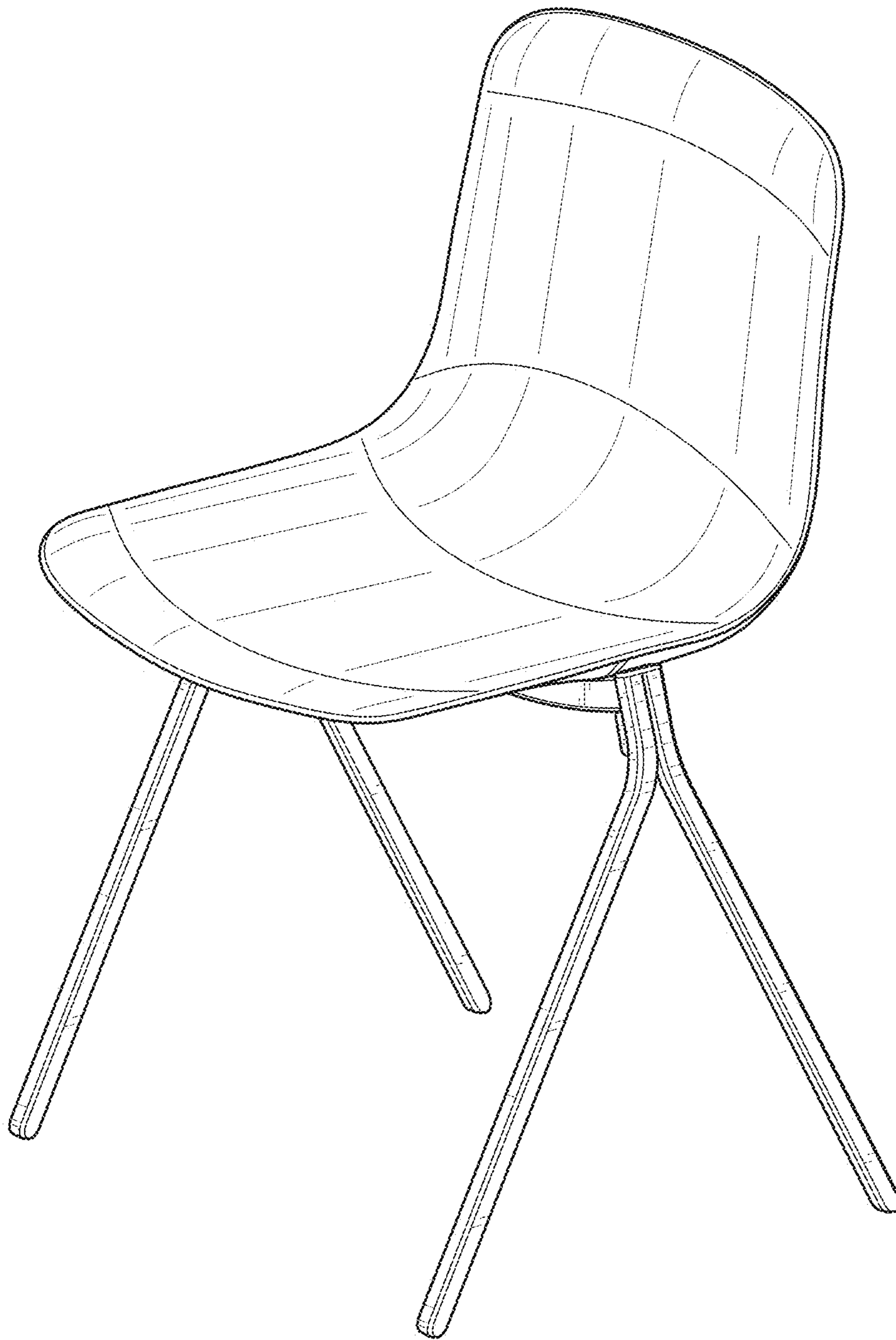


FIG. 1

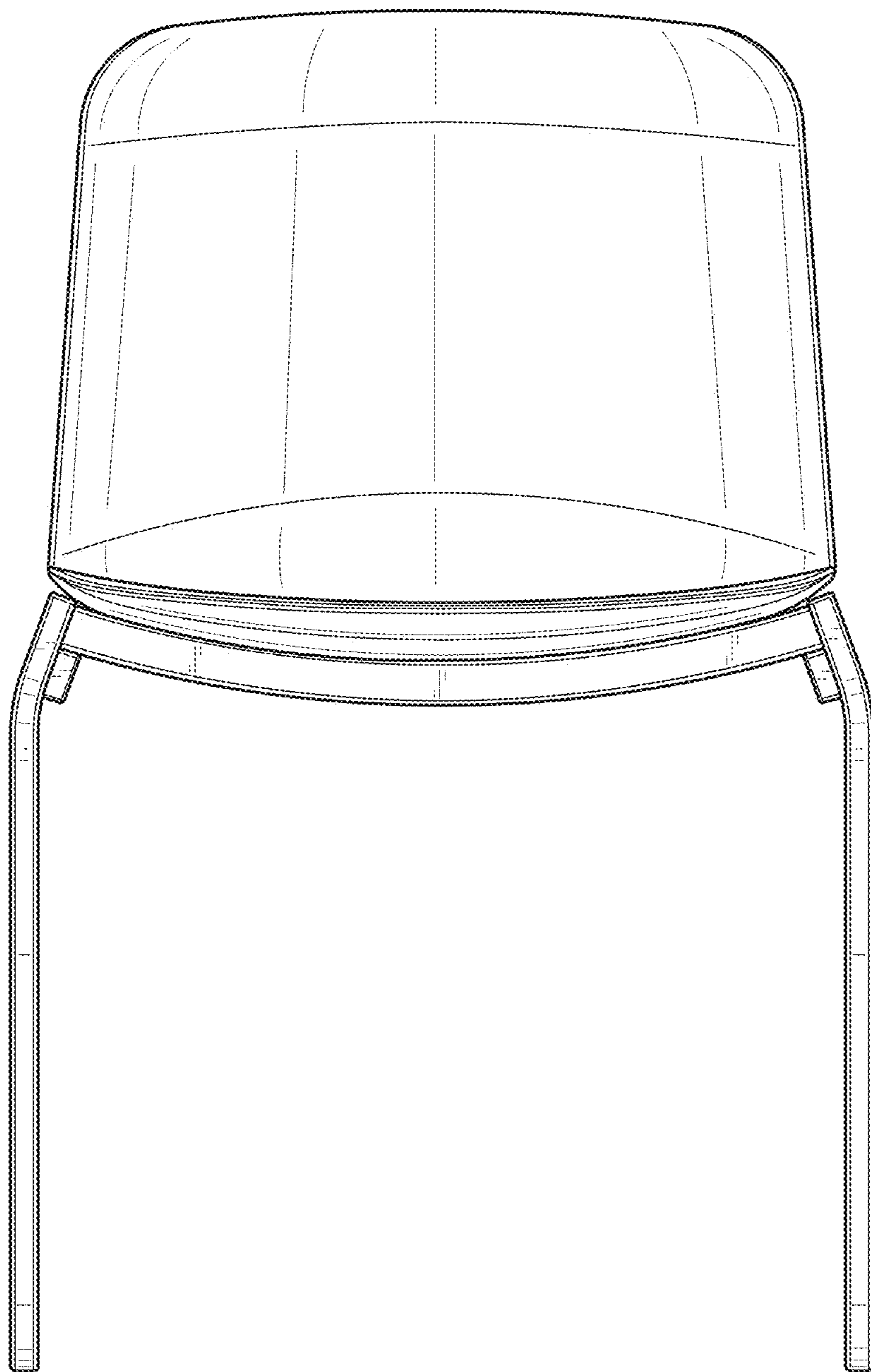


FIG. 2

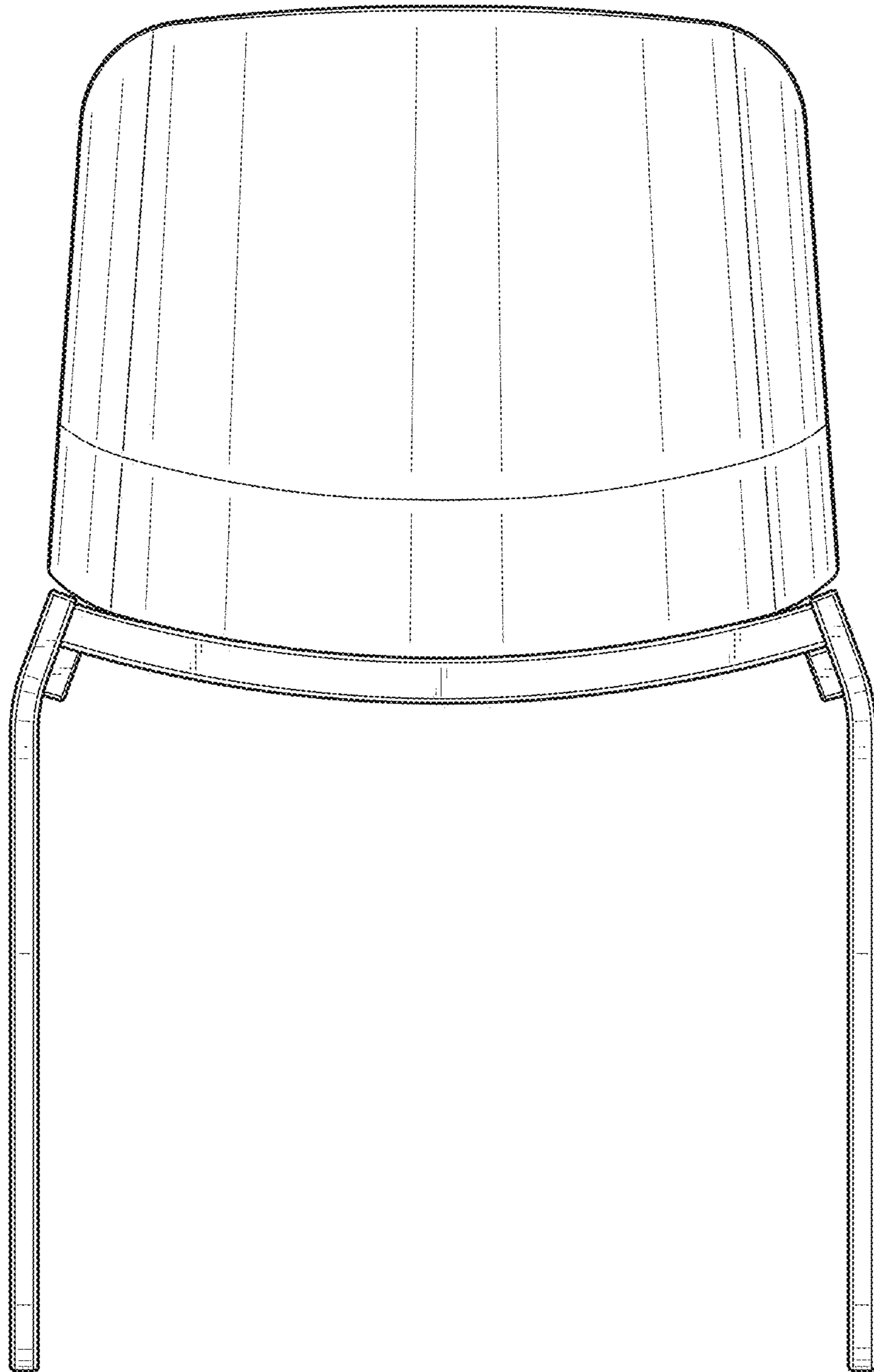


FIG. 3

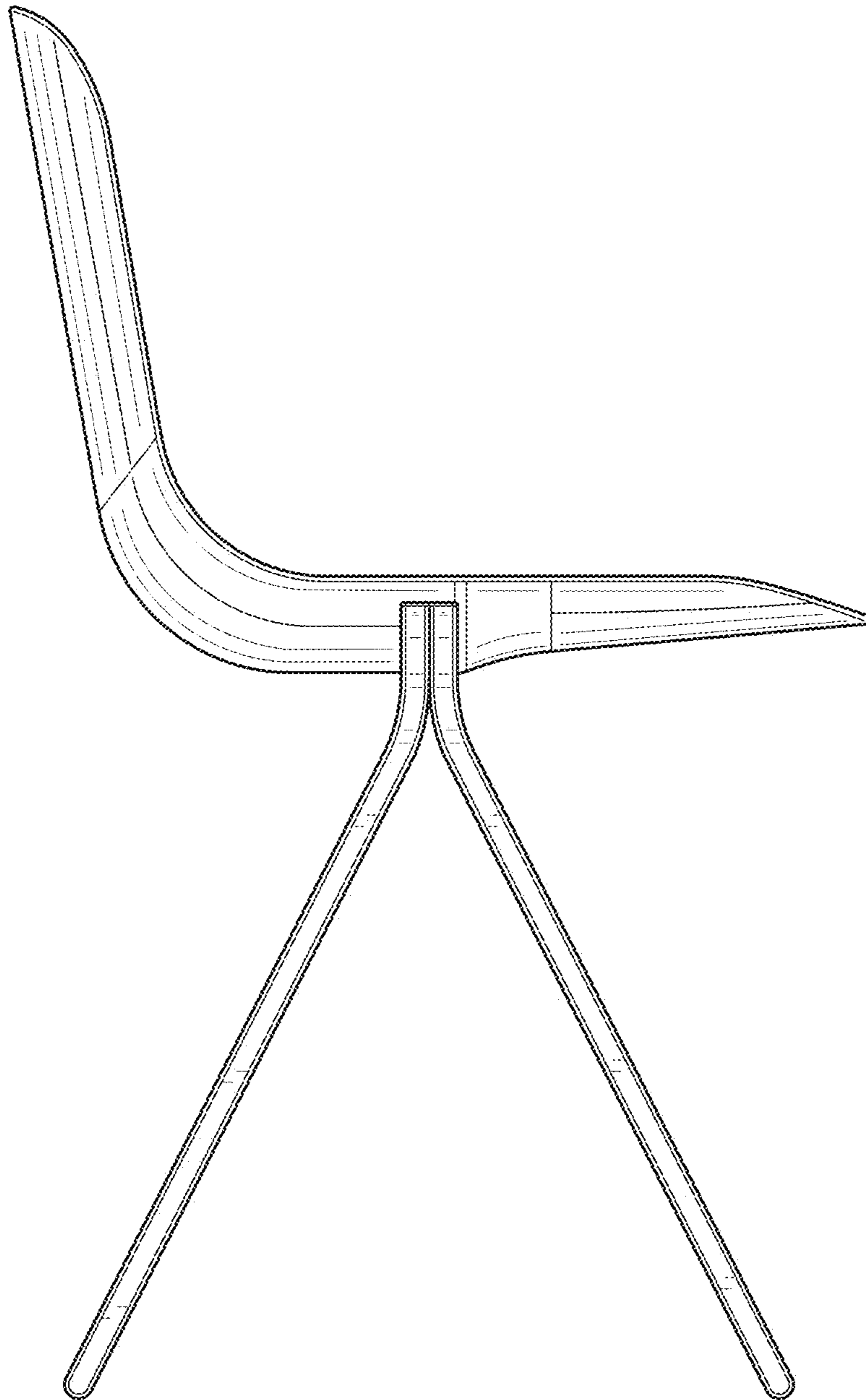


FIG. 4

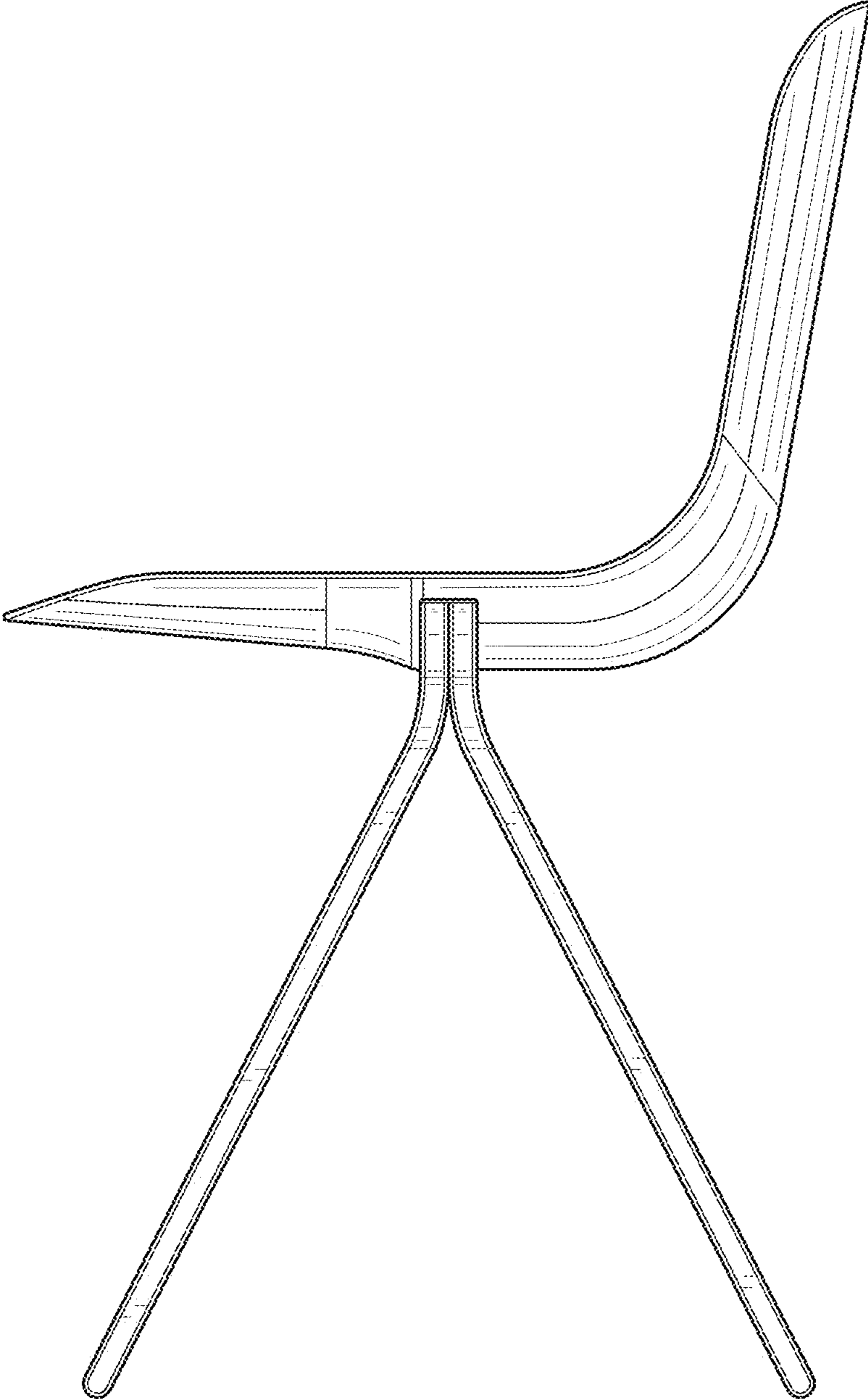


FIG. 5

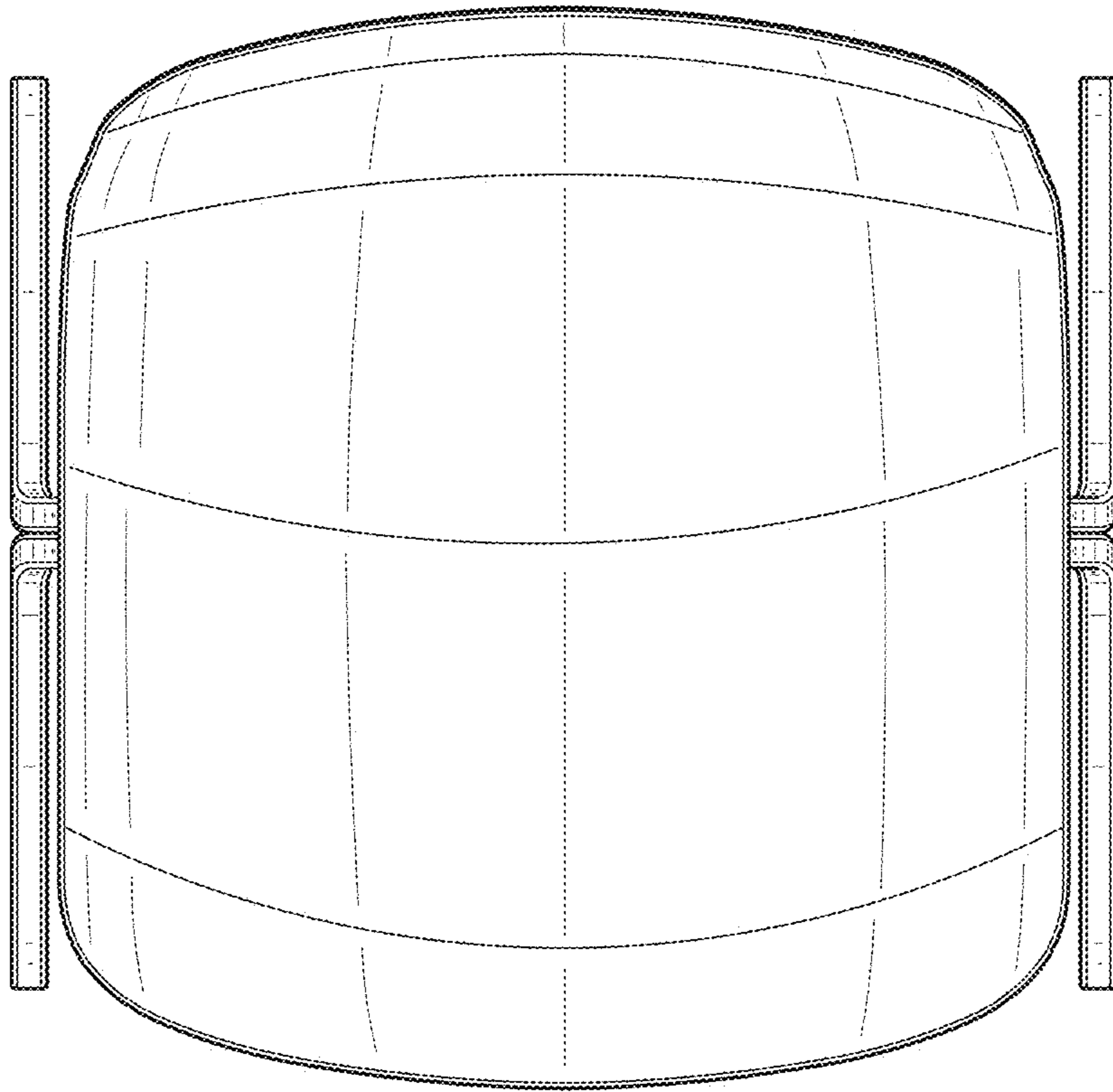


FIG. 6

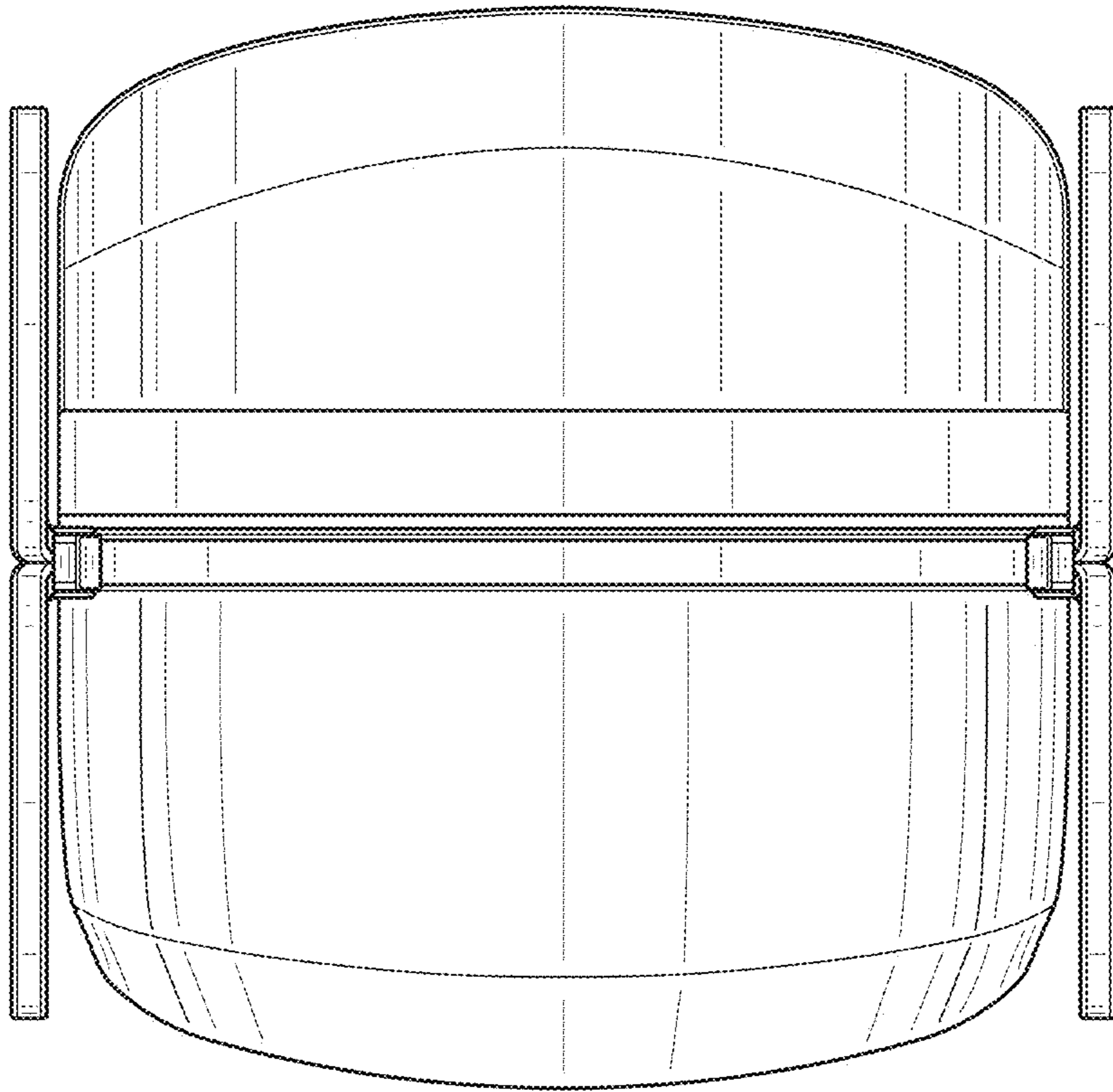


FIG. 7