



US00D930377S

(12) **United States Design Patent** (10) **Patent No.:** **US D930,377 S**
Hutchinson (45) **Date of Patent:** **** Sep. 14, 2021**

(54) **FOLDABLE BEACH OR LAWN CHAIR**

12/38; F41A 23/14; F41A 23/16; F41A 23/18; F41C 27/00; Y10S 135/901

See application file for complete search history.

(71) Applicant: **LowTides OP, LLC**, Wilmington, DE (US)

(56) **References Cited**

(72) Inventor: **Brenton Hutchinson**, Red Bank, NJ (US)

U.S. PATENT DOCUMENTS

(73) Assignee: **LowTides OP, LLC**, Wilmington, DE (US)

3,151,909	A *	10/1964	Gerdetz	A47C 31/11 297/188.2
D429,574	S *	8/2000	van Engelen	D6/368
6,095,607	A *	8/2000	Wenzel	A47C 3/34 297/118
D432,805	S *	10/2000	Smith	D6/368
D911,730	S *	3/2021	Doolan	D6/368
2012/0280549	A1 *	11/2012	Goldszer	A47C 4/28 297/359
2019/0045908	A1 *	2/2019	Zhu	A45F 3/14
2019/0054983	A1 *	2/2019	Barwick	A47C 1/146
2019/0374033	A1 *	12/2019	Grace	A45F 3/14
2020/0214450	A1 *	7/2020	Garrison	A47C 3/0252
2020/0214451	A1 *	7/2020	Garrison	A47C 13/00
2020/0405055	A1 *	12/2020	Sun	A47C 4/30

(**) Term: **15 Years**

(21) Appl. No.: **29/727,274**

* cited by examiner

(22) Filed: **Mar. 10, 2020**

(51) **LOC (13) Cl.** **06-01**

(52) **U.S. Cl.**
USPC **D6/368**

Primary Examiner — Kevin K Rudzinski
Assistant Examiner — Paul D Bohannon
(74) *Attorney, Agent, or Firm* — Caesar Rivise, PC

(58) **Field of Classification Search**
USPC D6/335, 367, 368, 716, 716.4; D21/521
CPC A47B 5/00; A47C 1/02; A47C 1/14; A47C 1/03244; A47C 1/032; A47C 3/18; A47C 4/20; A47C 4/28; A47C 4/30; A47C 4/42; A47C 4/46; A47C 4/54; A47C 4/286; A47C 7/06; A47C 7/24; A47C 7/66; A47C 7/68; A47C 7/62; A47C 7/624; A47C 7/622; A47C 7/407; A47C 7/425; A47C 9/06; A47C 9/00; A47C 9/10; A47C 9/105; A47C 11/00; A47C 11/005; A47C 15/00; A47C 21/00; A47C 31/00; A01M 31/00; A01M 31/02; A01M 31/025; A45F 3/22; A45F 3/24; A47G 9/06; A61G 7/10; A63B 63/00; B60N 2/04; B25H 1/14; B25H 1/12; B25H 1/04; E04H 15/30; F16M 11/22; F42B

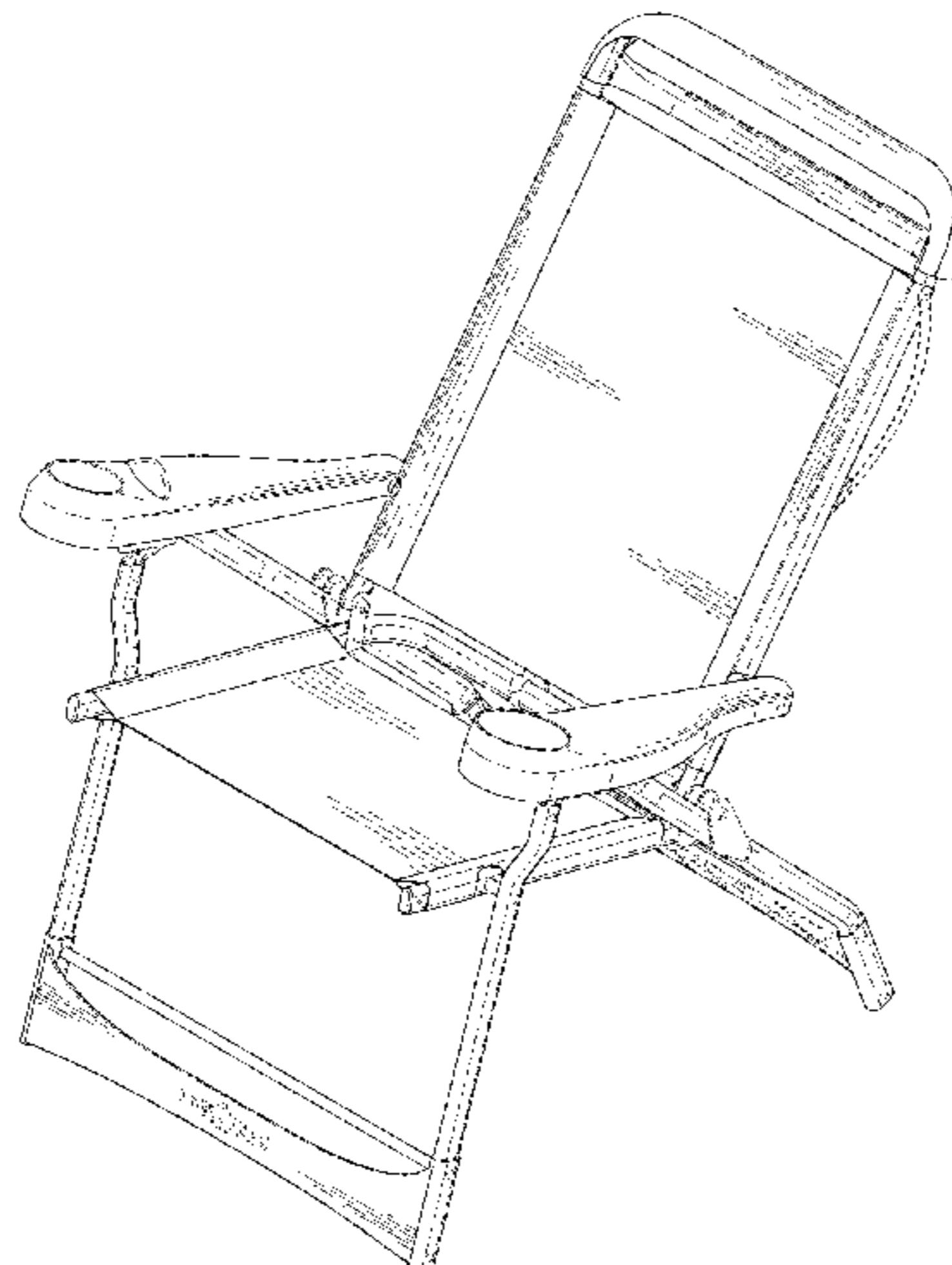
(57) **CLAIM**

The ornamental design for the foldable beach or lawn chair, as shown and described.

DESCRIPTION

FIG. 1 is a front perspective view of the foldable beach or lawn chair in accordance with my new design;
FIG. 2 is a rear perspective view of the foldable beach or lawn chair in accordance with my new design;
FIG. 3 is a front elevation view thereof;
FIG. 4 is a rear elevation view thereof;
FIG. 5 is a left side elevation view thereof;
FIG. 6 is a right side elevation view thereof;
FIG. 7 is a top plan view thereof; and,
FIG. 8 is a bottom plan view thereof.

(Continued)



The broken lines shown in the drawings are for the purpose of illustrating portions of the foldable beach or lawn chair and form no part of the claimed design.

1 Claim, 8 Drawing Sheets

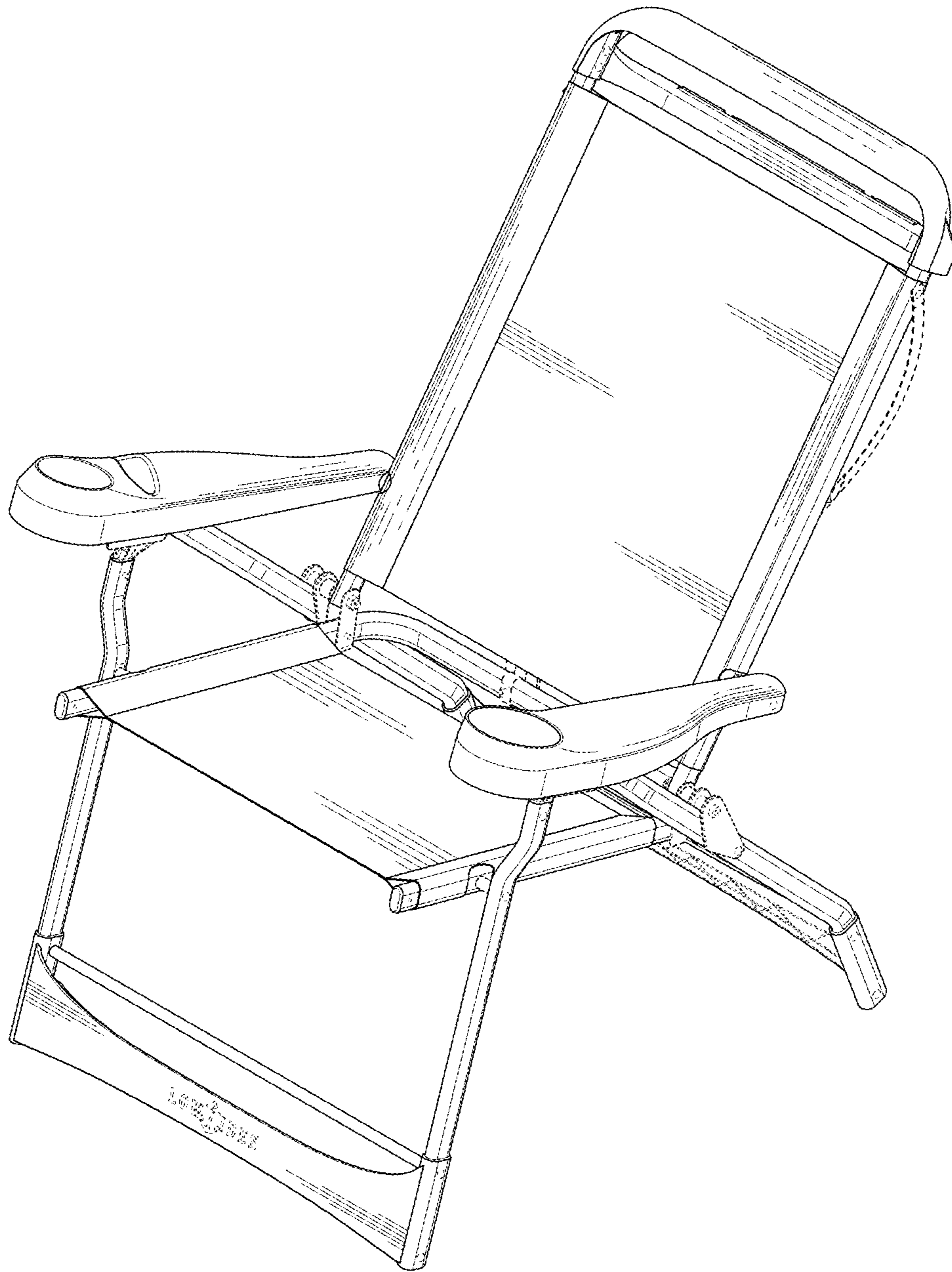


FIG. 1

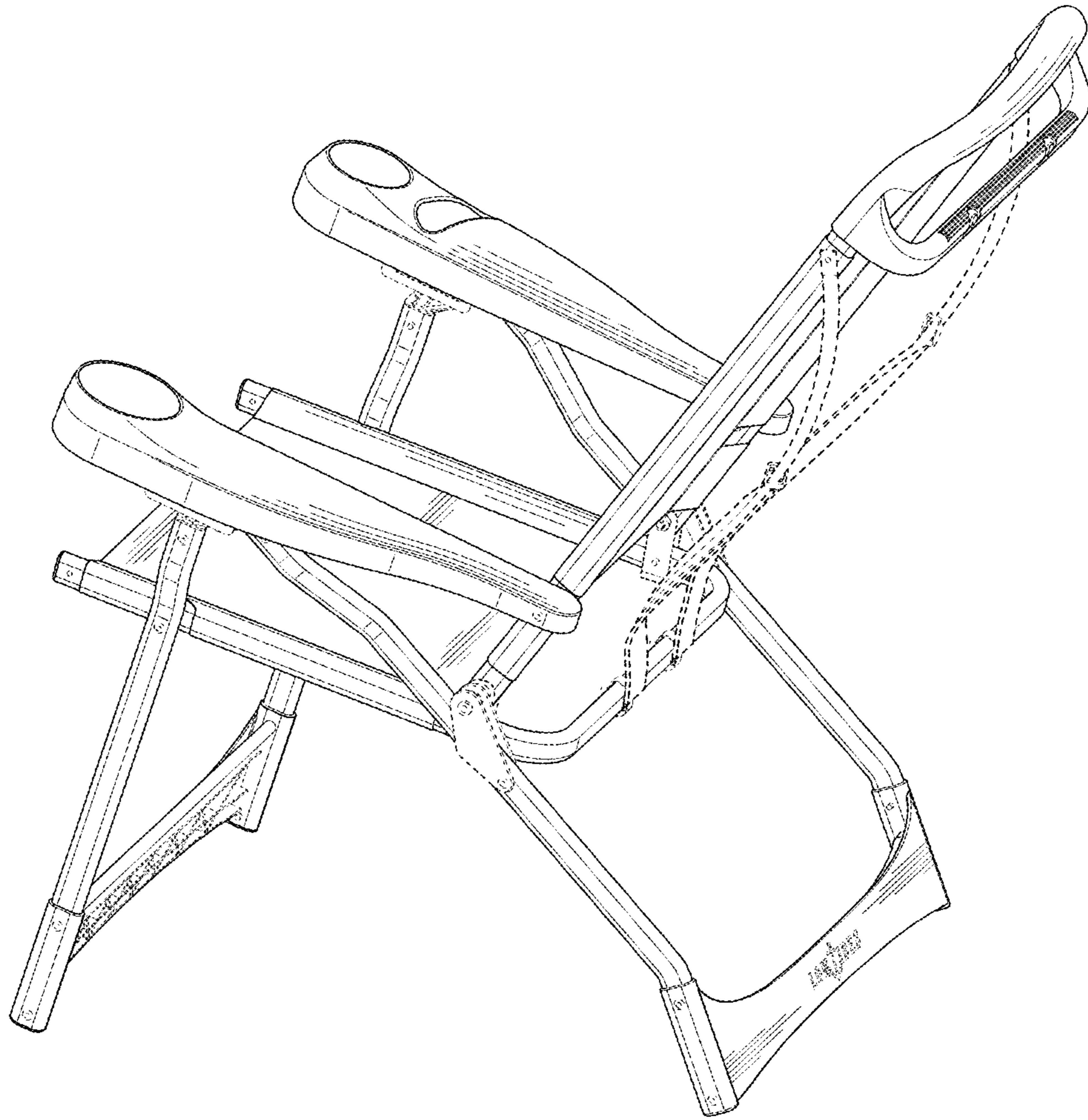


FIG. 2

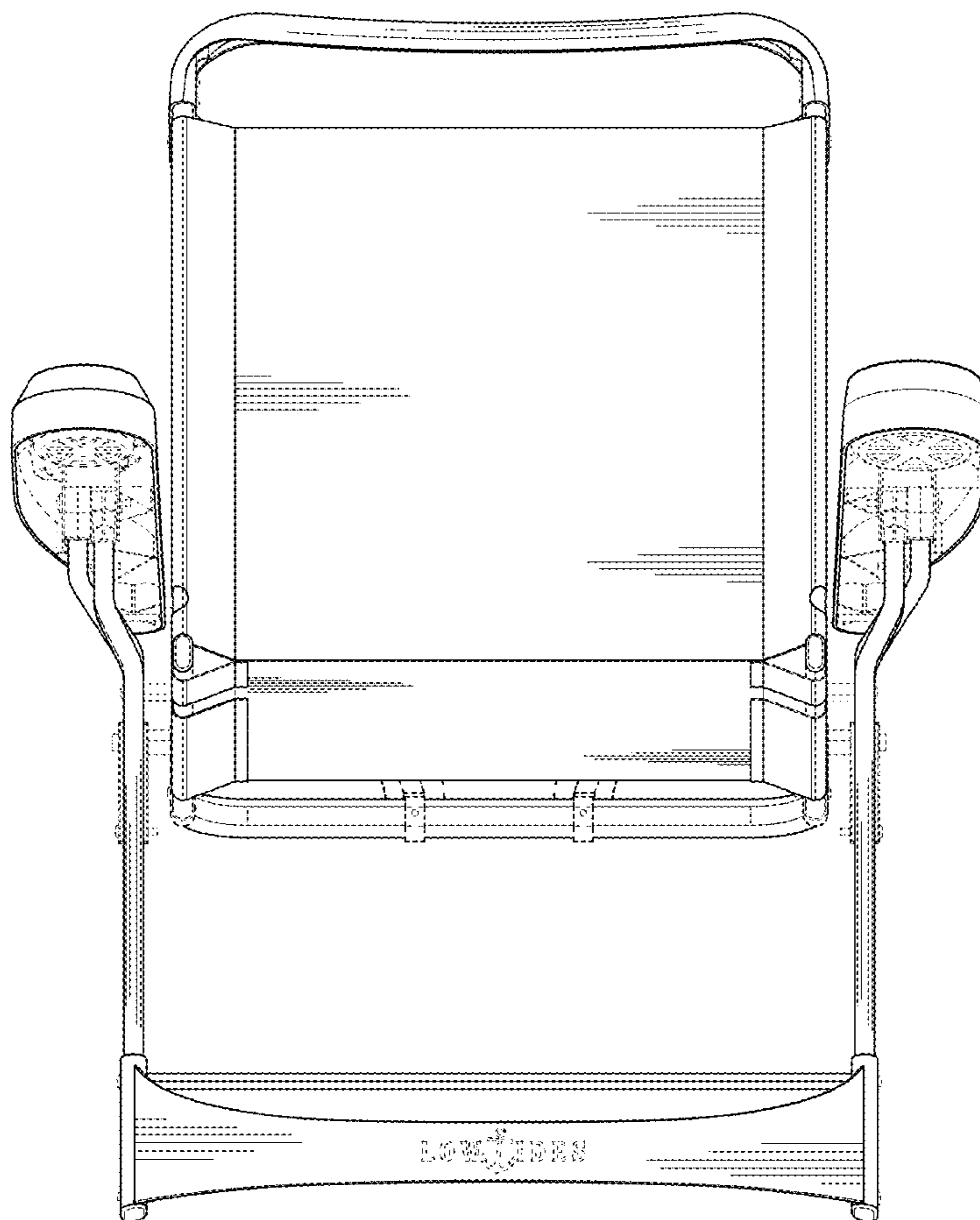


FIG. 3

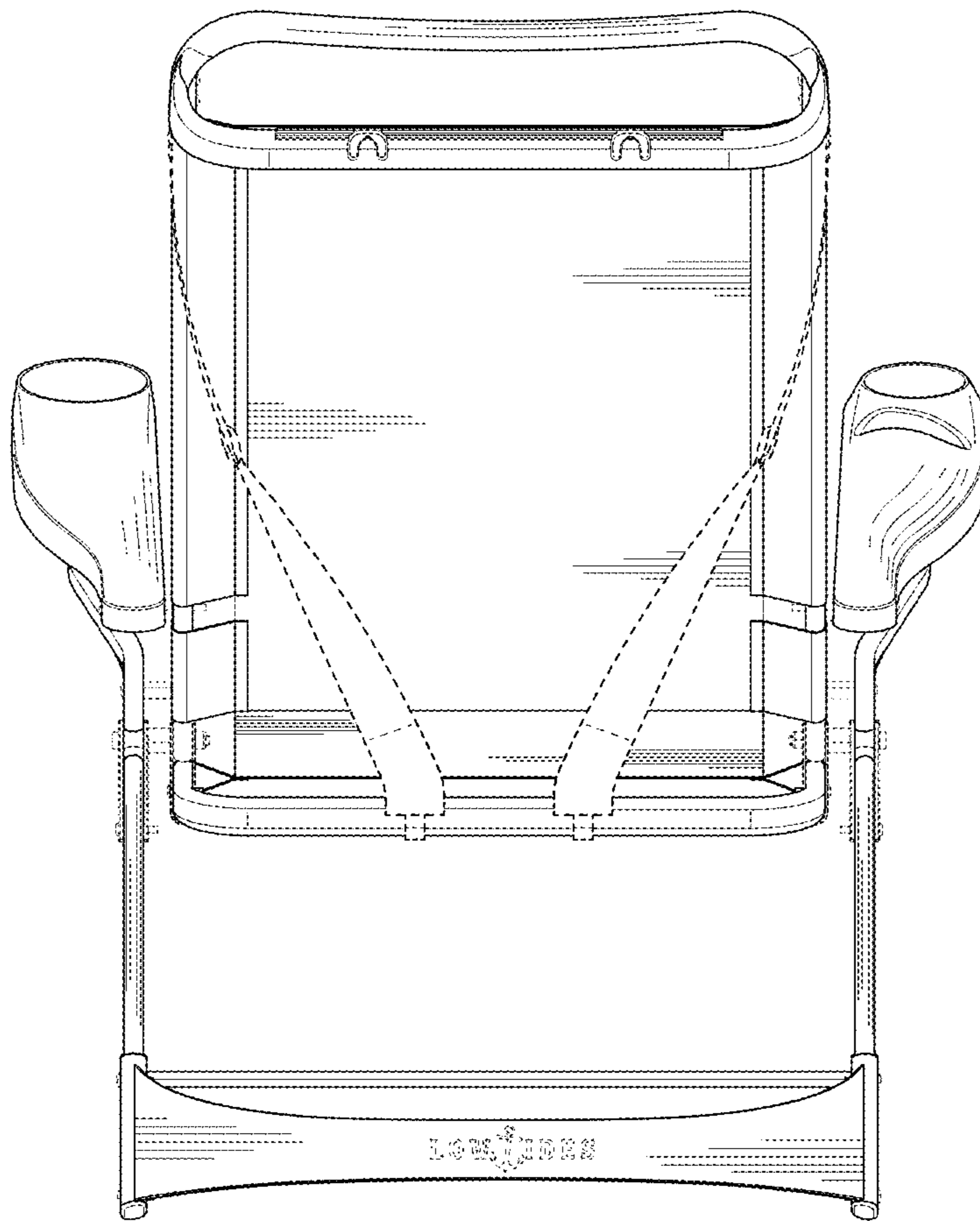


FIG. 4

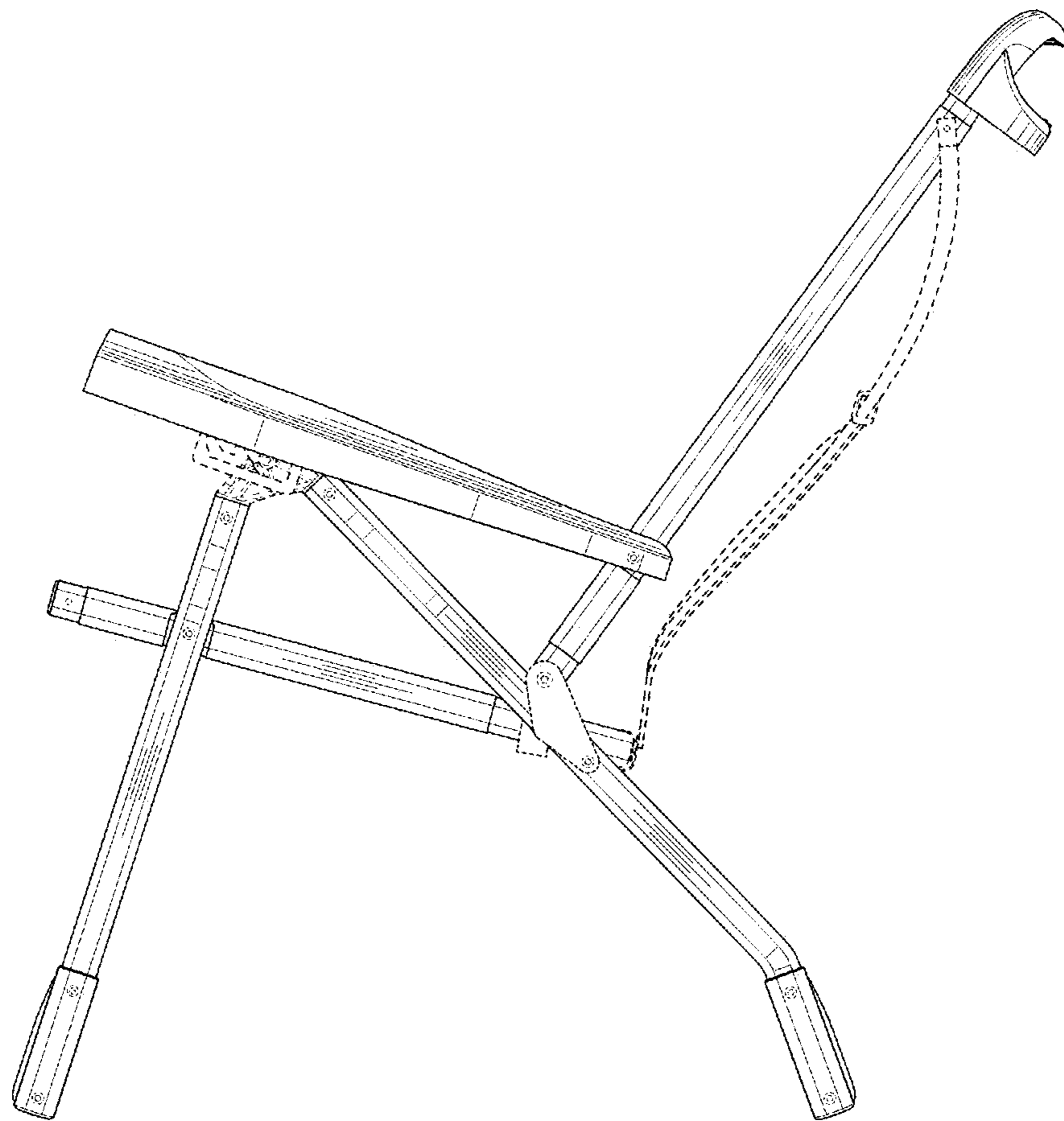


FIG. 5

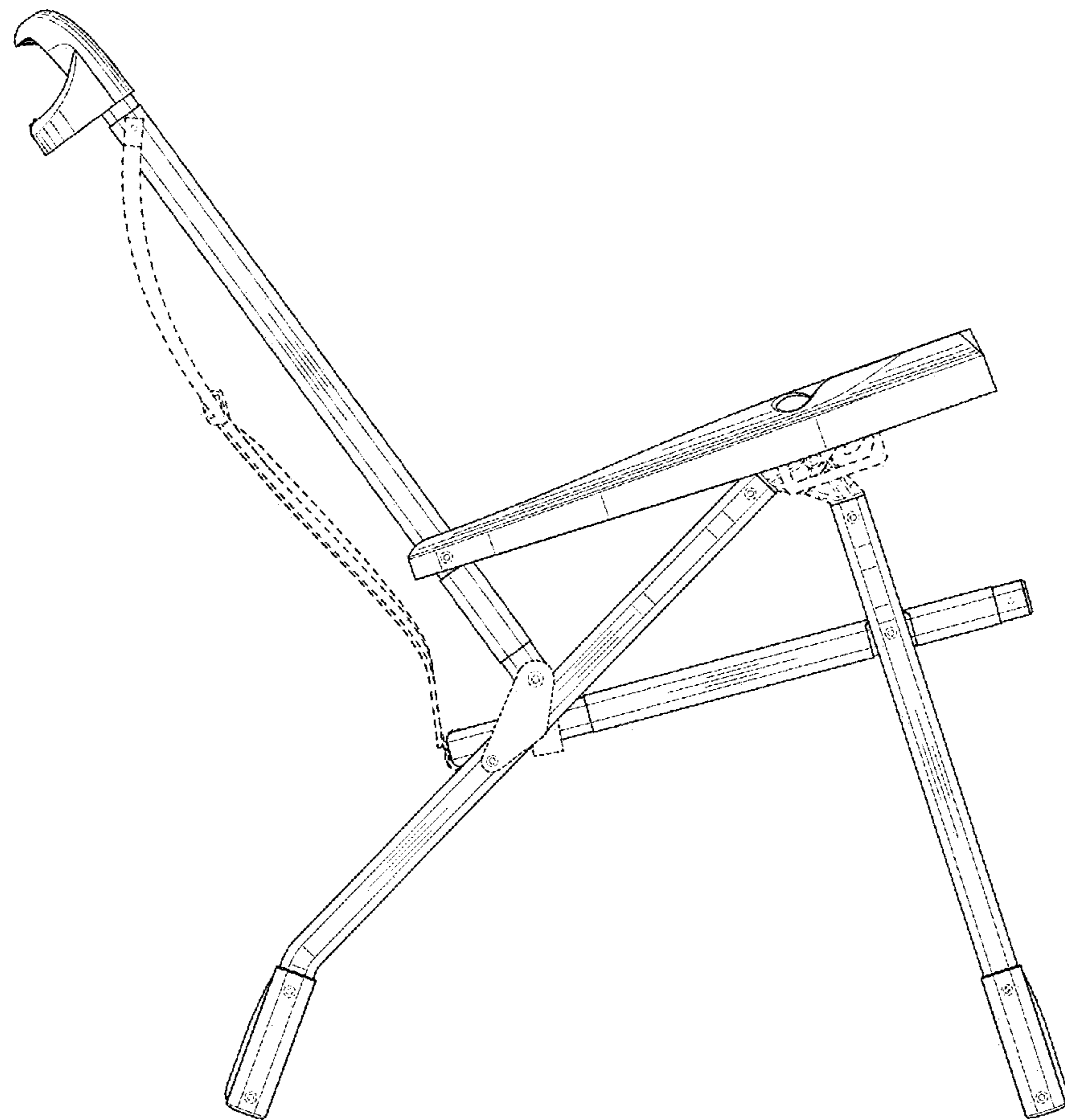


FIG. 6

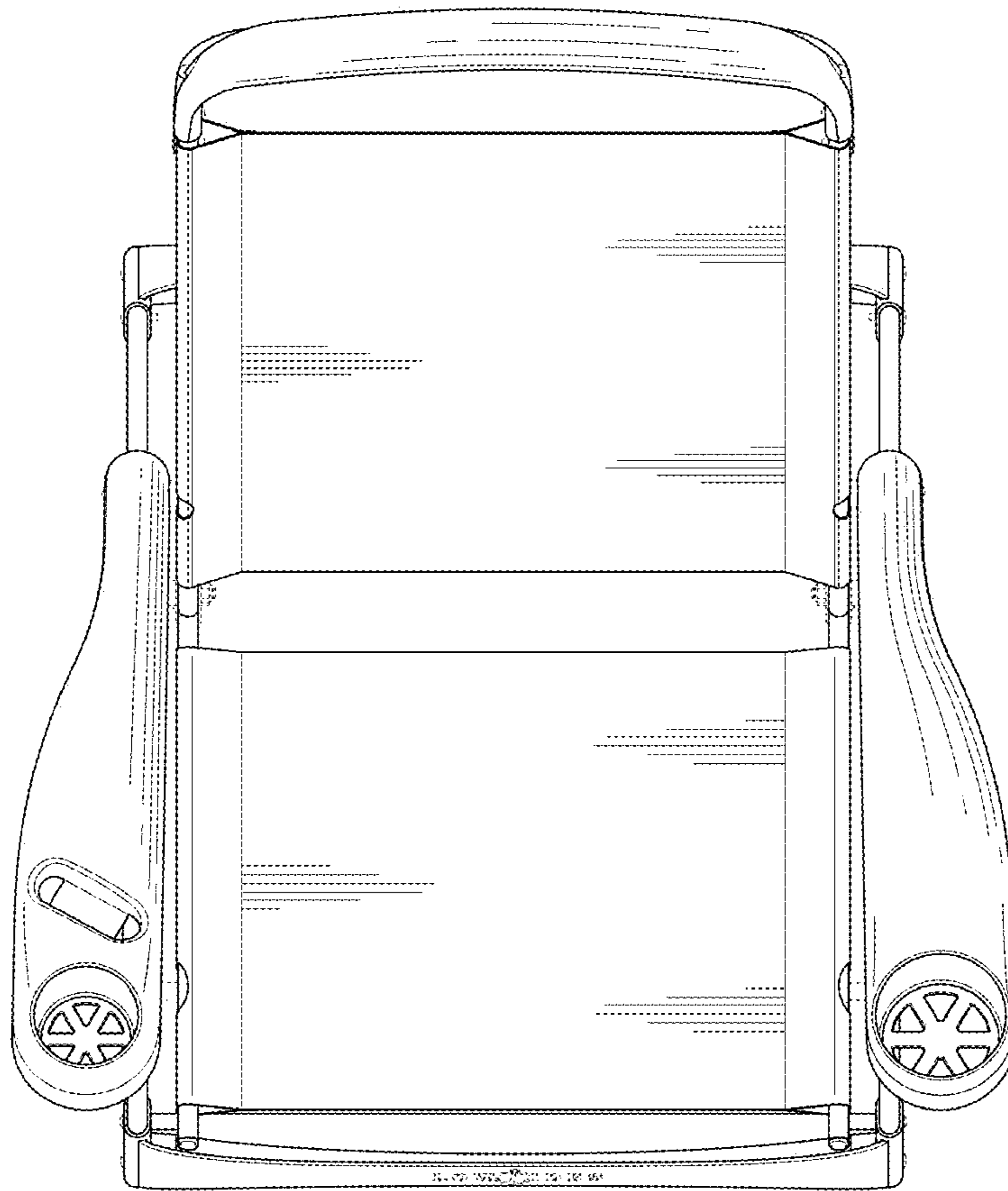


FIG. 7

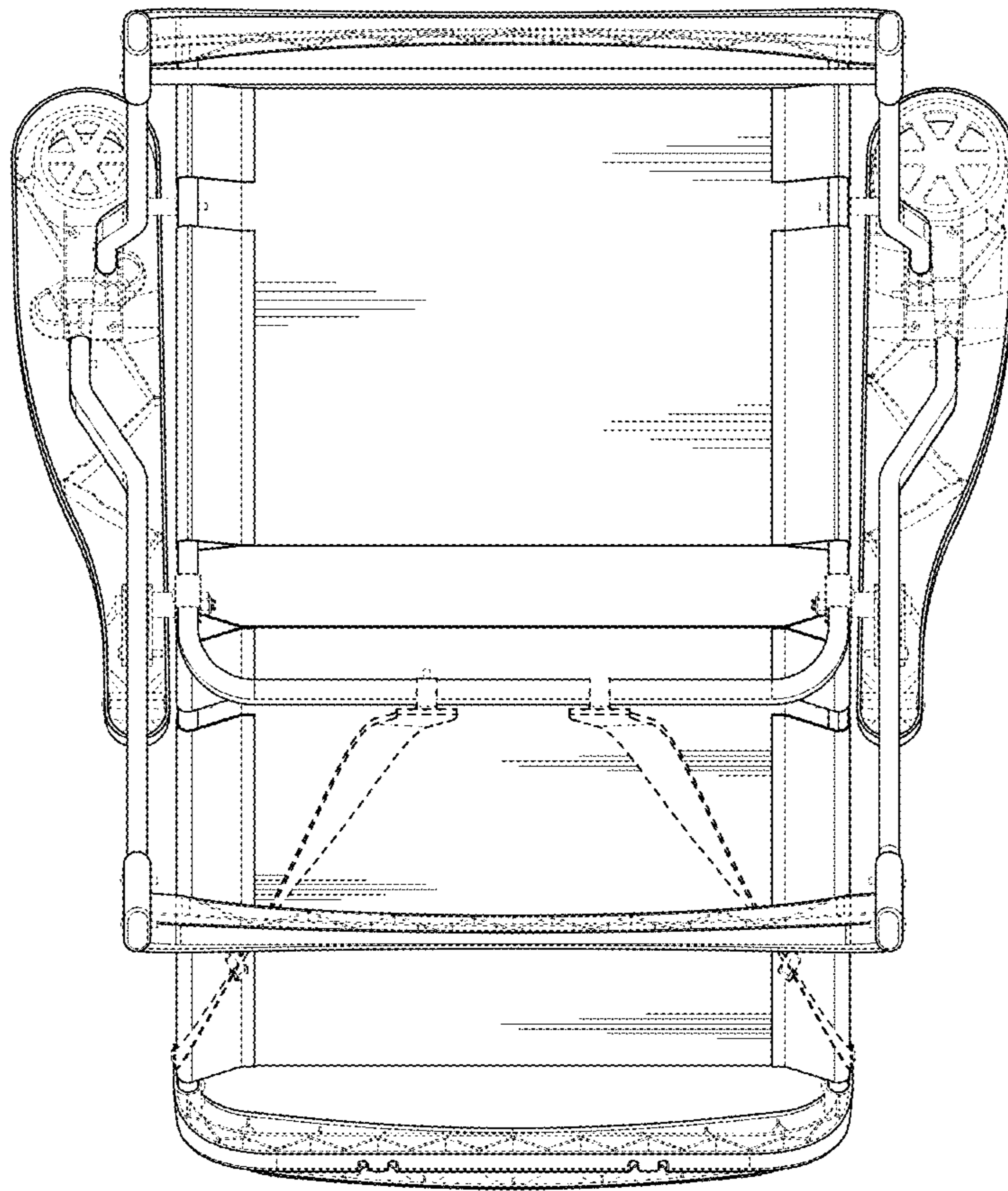


FIG. 8