



US00D930375S

(12) **United States Design Patent** (10) **Patent No.:** **US D930,375 S**
Jiang (45) **Date of Patent:** **** Sep. 14, 2021**

(54) **BIKE SADDLE**

(71) Applicant: **Shenzhen Youqing Technology Co. Ltd, Shenzhen (CN)**

(72) Inventor: **Xiaohong Jiang, Shenzhen (CN)**

(**) Term: **15 Years**

(21) Appl. No.: **29/794,287**

(22) Filed: **Jun. 11, 2021**

(51) **LOC (13) Cl.** **06-01**

(52) **U.S. Cl.**
USPC **D6/354**

(58) **Field of Classification Search**
USPC D6/340, 354; D12/110, 111
CPC ... B62J 1/002; B62J 1/005; B62J 1/007; B62J 1/26
See application file for complete search history.

(56) **References Cited**

U.S. PATENT DOCUMENTS

D428,270 S *	7/2000	Bigolin	D6/354
D428,271 S *	7/2000	Bigolin	D6/354
D429,905 S *	8/2000	White	D6/354
D430,744 S *	9/2000	Minkow	D6/354
D433,827 S *	11/2000	Kuipers	D6/354
D439,756 S *	4/2001	Bigolin	D6/354
D456,623 S *	5/2002	Yates	D6/354
D660,609 S *	5/2012	Bertoncello	D6/354
D707,046 S	6/2014	Huang		

D720,548 S *	1/2015	Yu	D6/354
D722,446 S *	2/2015	Toll	D6/354
D728,952 S *	5/2015	Yu	D6/354
D778,079 S *	2/2017	Porter	D6/354
D802,949 S *	11/2017	Toll	D6/354
D804,204 S *	12/2017	Bigolin	D6/354
D847,522 S *	5/2019	Pruitt	D6/354
D879,488 S *	3/2020	Liu	D6/354
D885,071 S	5/2020	Zheng		
D899,118 S *	10/2020	Supowitz	D6/354
D904,050 S	12/2020	Wang		

* cited by examiner

Primary Examiner — *Natasha Vujcic*

(57) **CLAIM**

The ornamental design for a bike saddle, as shown and described.

DESCRIPTION

FIG. 1 is a first perspective view of a bike saddle showing my new design;

FIG. 2 is a second perspective view thereof;

FIG. 3 is a front view thereof;

FIG. 4 is a back view thereof;

FIG. 5 is a left side view thereof;

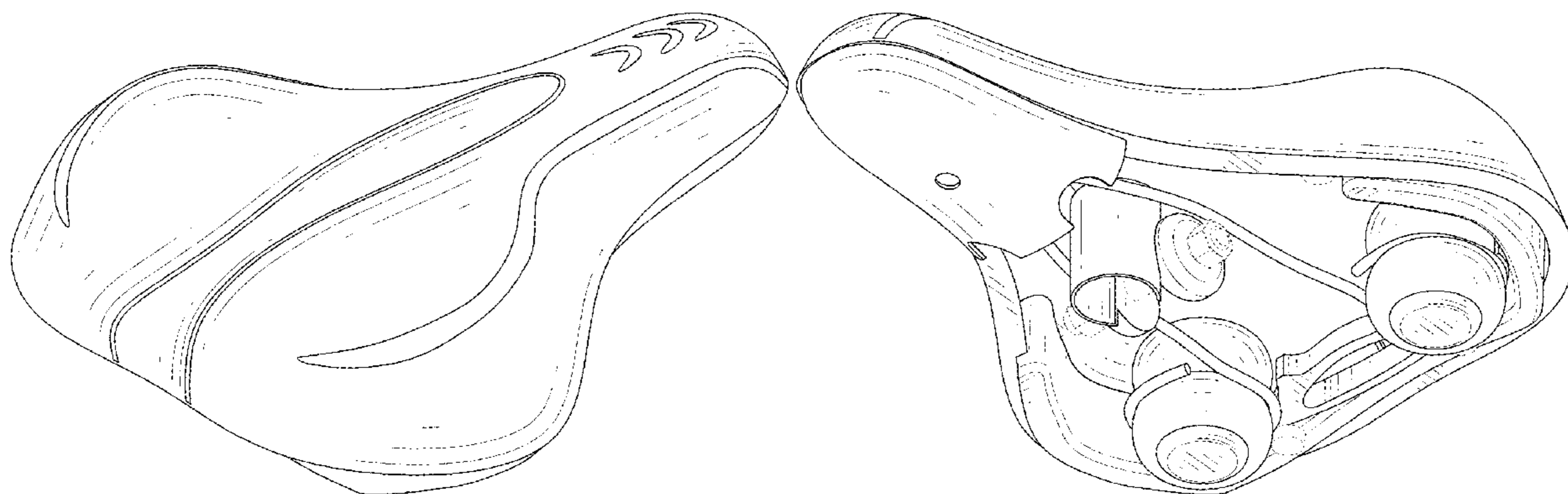
FIG. 6 is a right side view thereof;

FIG. 7 is a top view thereof; and,

FIG. 8 is a bottom view thereof.

The broken lines shown in the drawings depict portions of the bike saddle in which the design is embodied that form no part of the claimed design.

1 Claim, 8 Drawing Sheets



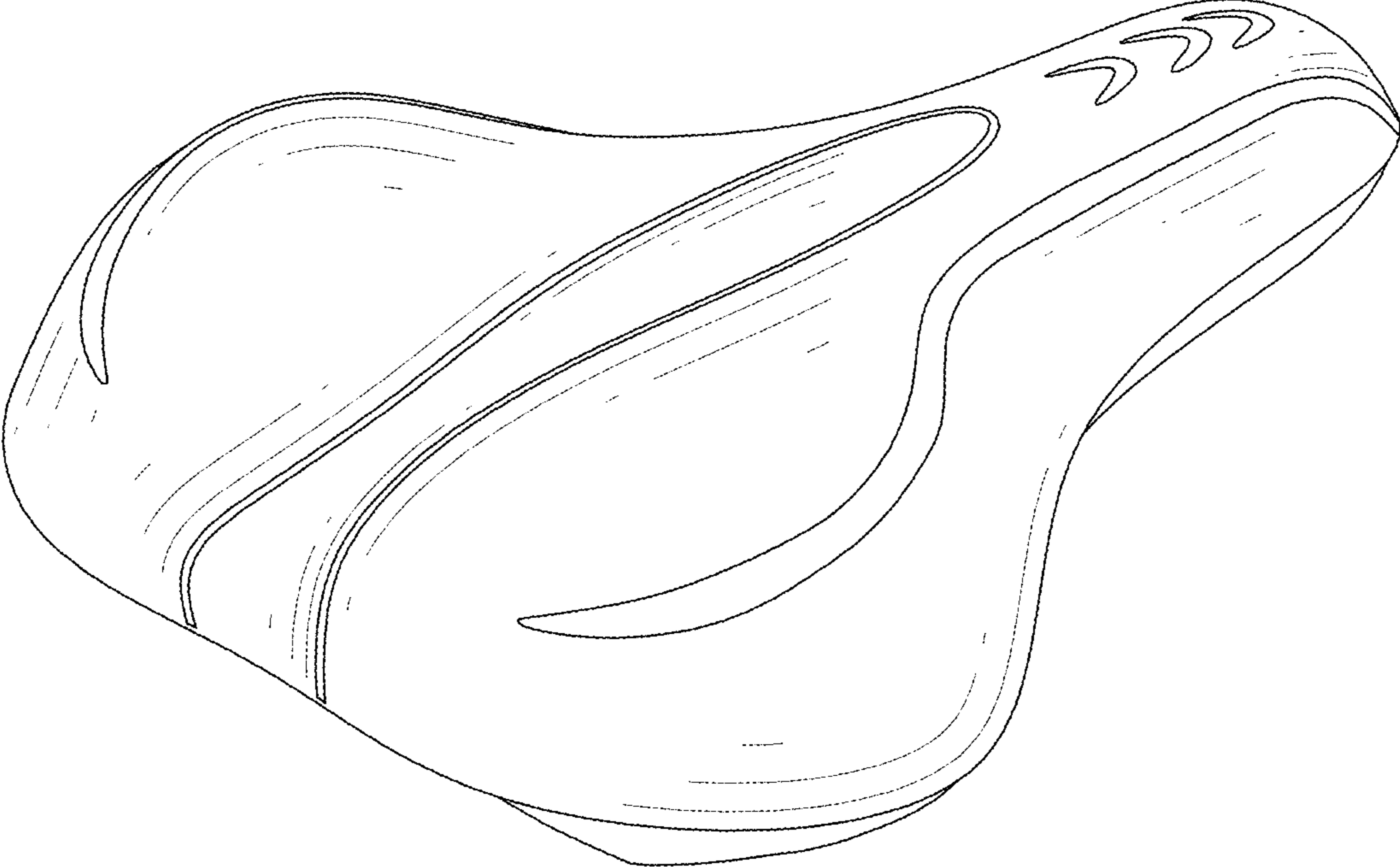


FIG. 1

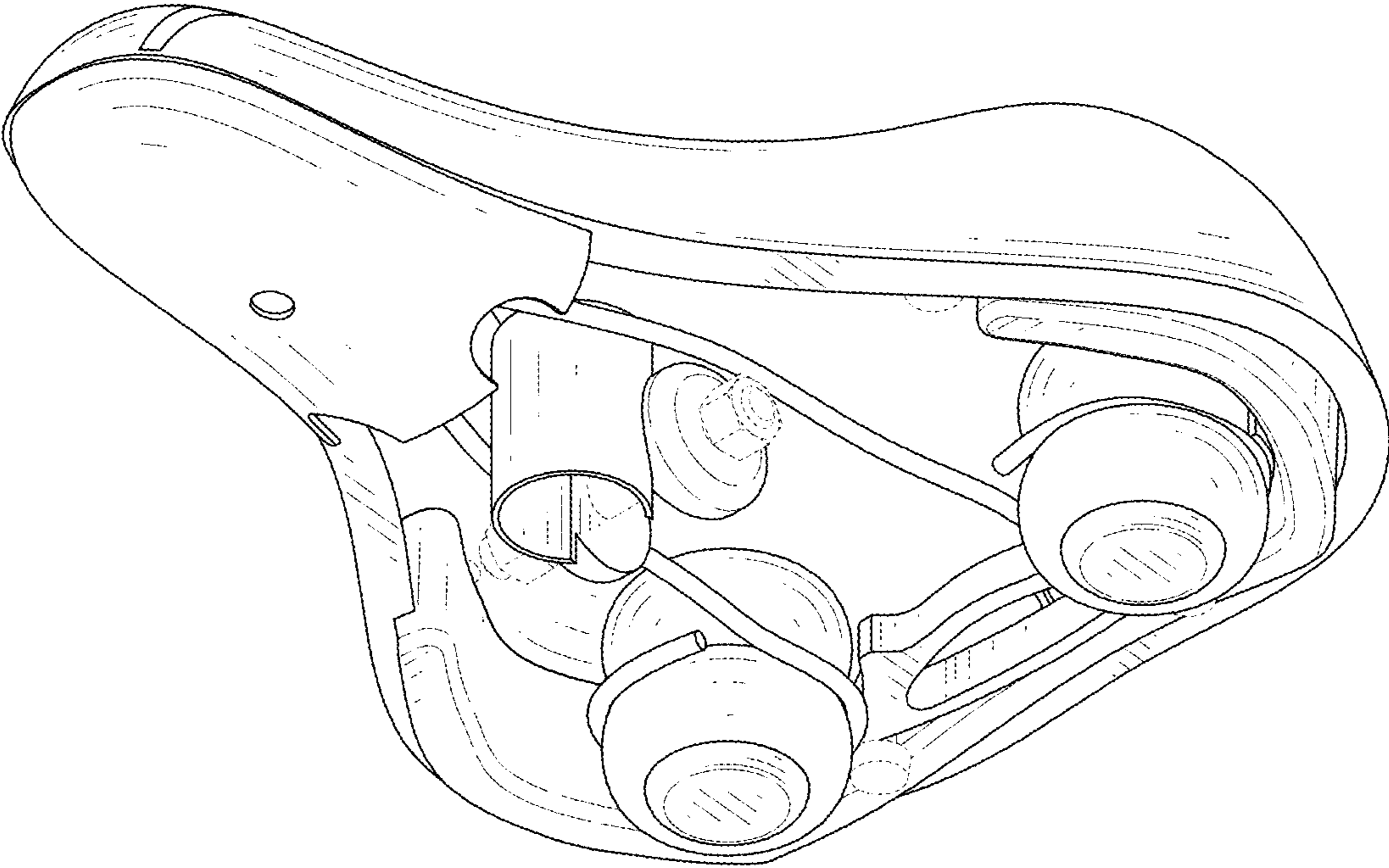


FIG. 2

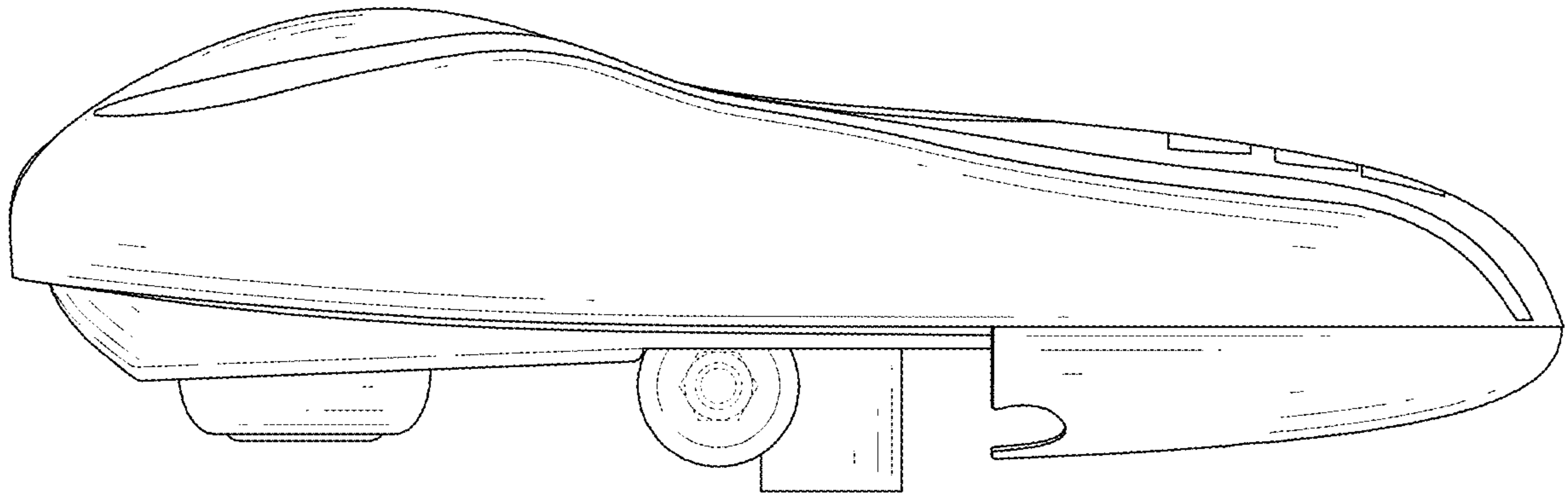


FIG. 3

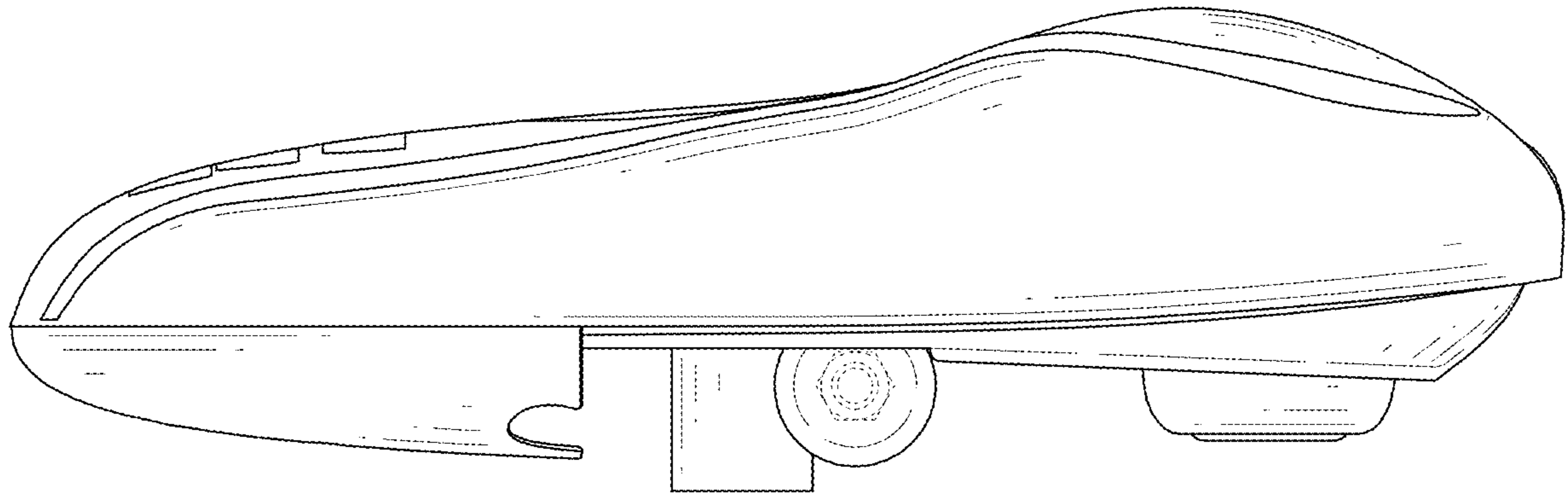


FIG. 4

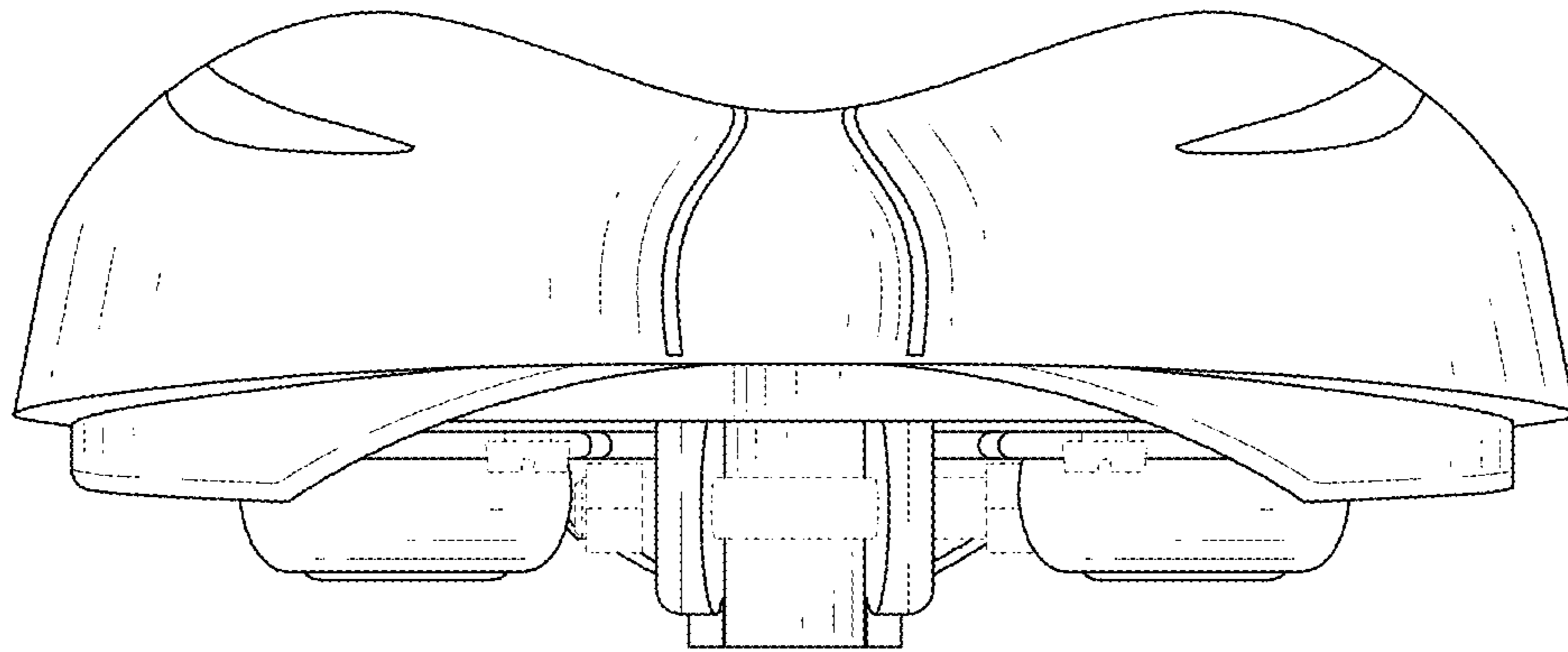


FIG. 5

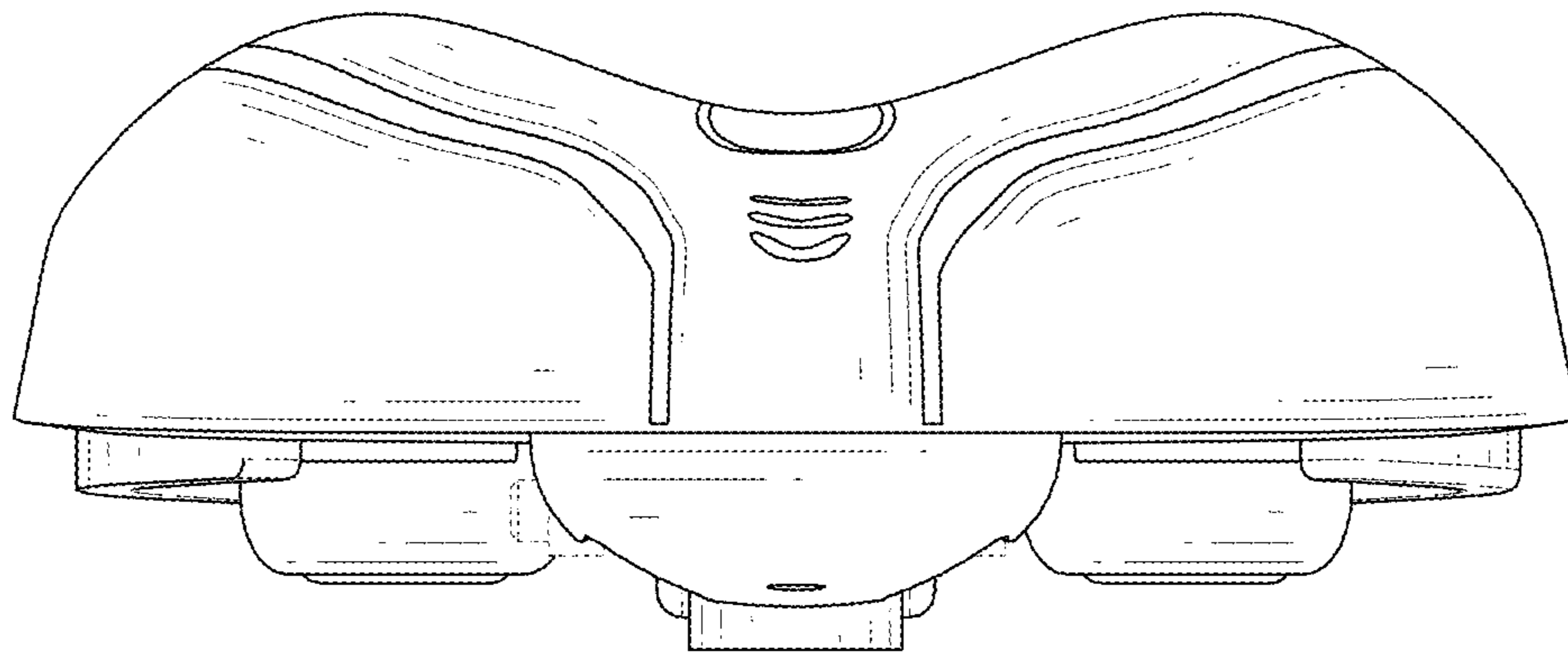


FIG. 6

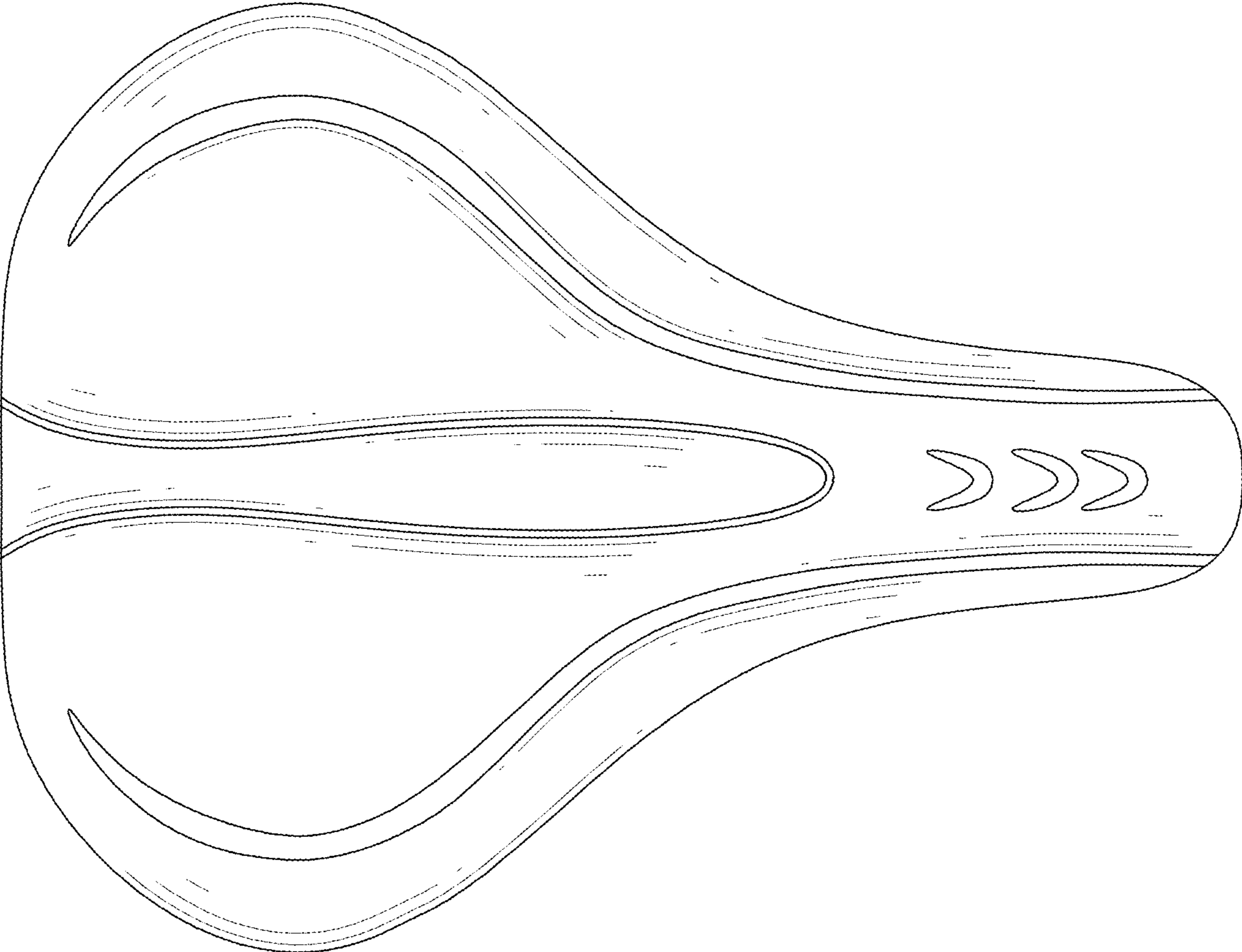


FIG. 7

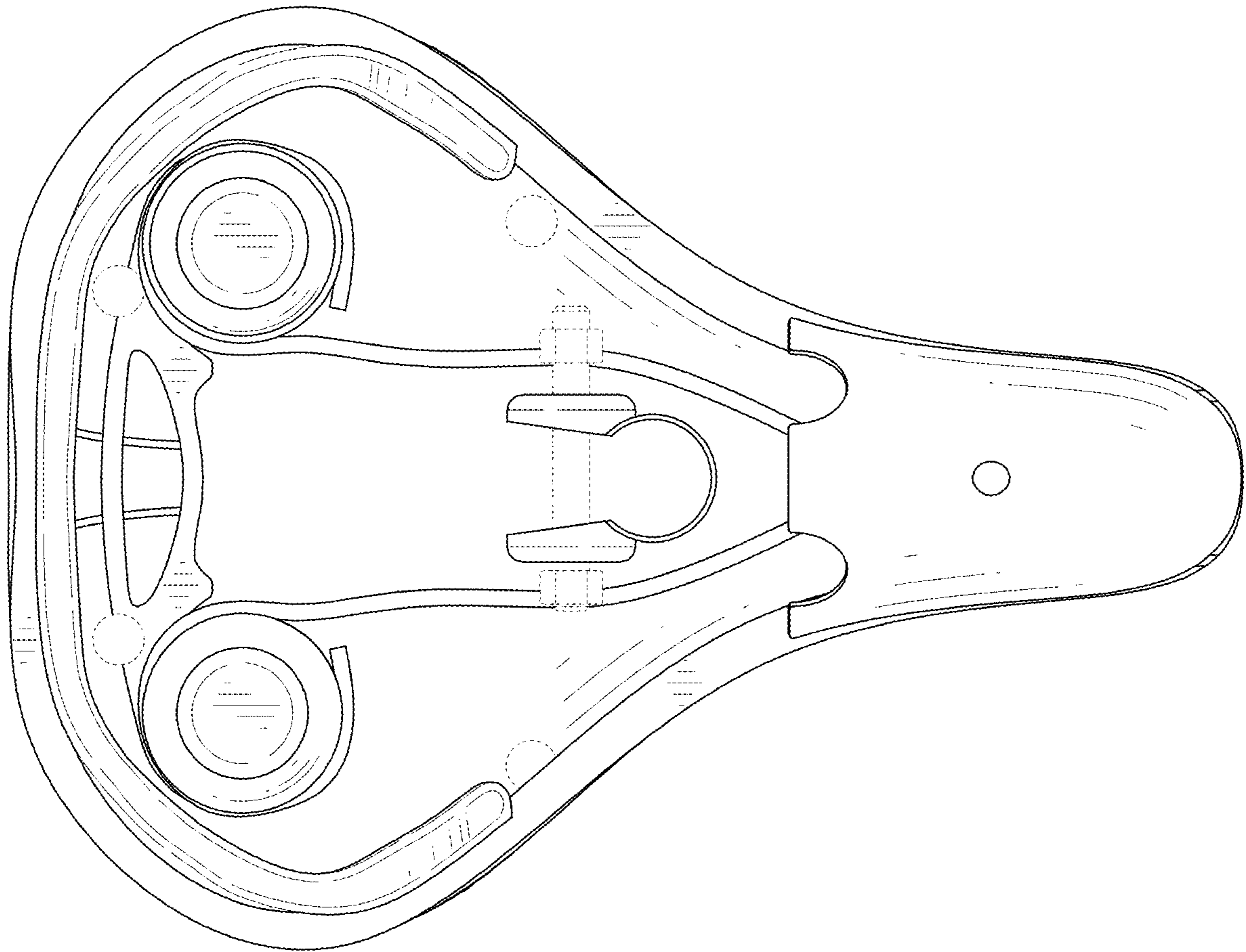


FIG. 8