



US00D930369S

(12) **United States Design Patent** (10) **Patent No.:** **US D930,369 S**  
**Roy** (45) **Date of Patent:** **\*\* Sep. 14, 2021**

(54) **STRETCHER BAR FRAME**  
(71) Applicant: **Francois Roy**, Lévis (CA)  
(72) Inventor: **Francois Roy**, Lévis (CA)  
(73) Assignee: **GESPLAN GESTION CONSEIL INC.**  
(\*\*) Term: **15 Years**

(21) Appl. No.: **29/738,876**  
(22) Filed: **Jun. 19, 2020**

**Related U.S. Application Data**

(62) Division of application No. 29/682,363, filed on Mar. 4, 2019, now Pat. No. Des. 909,769.

(51) **LOC (13) Cl.** ..... **06-07**

(52) **U.S. Cl.**  
USPC ..... **D6/300**

(58) **Field of Classification Search**

USPC ..... D6/300, 301, 302, 303, 304, 307, 309,  
D6/310, 311, 312, 313, 314; D8/349,  
D8/354; D11/132, 133; D20/10, 19, 27,  
D20/42; D25/48.3, 48.7, 60, 110, 119,  
D25/124

CPC ..... A47G 1/06; A47G 1/0605; A47G 1/0633;  
A47G 1/0638; A47G 1/0644; A47G 1/08;  
A47G 1/10; A47G 1/14; A47G 1/141;  
A47G 1/142; A47G 1/16; A47G 1/1606;  
A47G 1/1613; A47G 2001/0661; A47G  
2001/0672; A47G 2001/0688; A47G  
2001/148; B44D 3/185

See application file for complete search history.

(56) **References Cited**

**U.S. PATENT DOCUMENTS**

306,117 A \* 10/1884 Thayer ..... E06B 3/984  
403/382  
1,847,925 A \* 3/1932 Carter ..... B44D 3/185  
160/374.1  
1,870,492 A \* 8/1932 Clark ..... B44D 3/185  
40/780

(Continued)

**OTHER PUBLICATIONS**

Stretcher Bar Warehouse [online], [site visited Jun. 23, 2020]. Available from internet, URL:<https://www.stretcherbarwarehouse.com/Default.asp?gclid=Cj0KCCQjw0Mb3BRCaARIsAPSNGpVgev6YolglobPYWkZ51K9bBJajowwWppbnBiRZURDFH8j5auBbL5FAaAkJEJALw\_wcB> (Year: 2020).\*

(Continued)

*Primary Examiner* — Cynthia Ramirez

*Assistant Examiner* — Xavier Marti-Santos

(74) *Attorney, Agent, or Firm* — QuickPatents; Kevin Prince

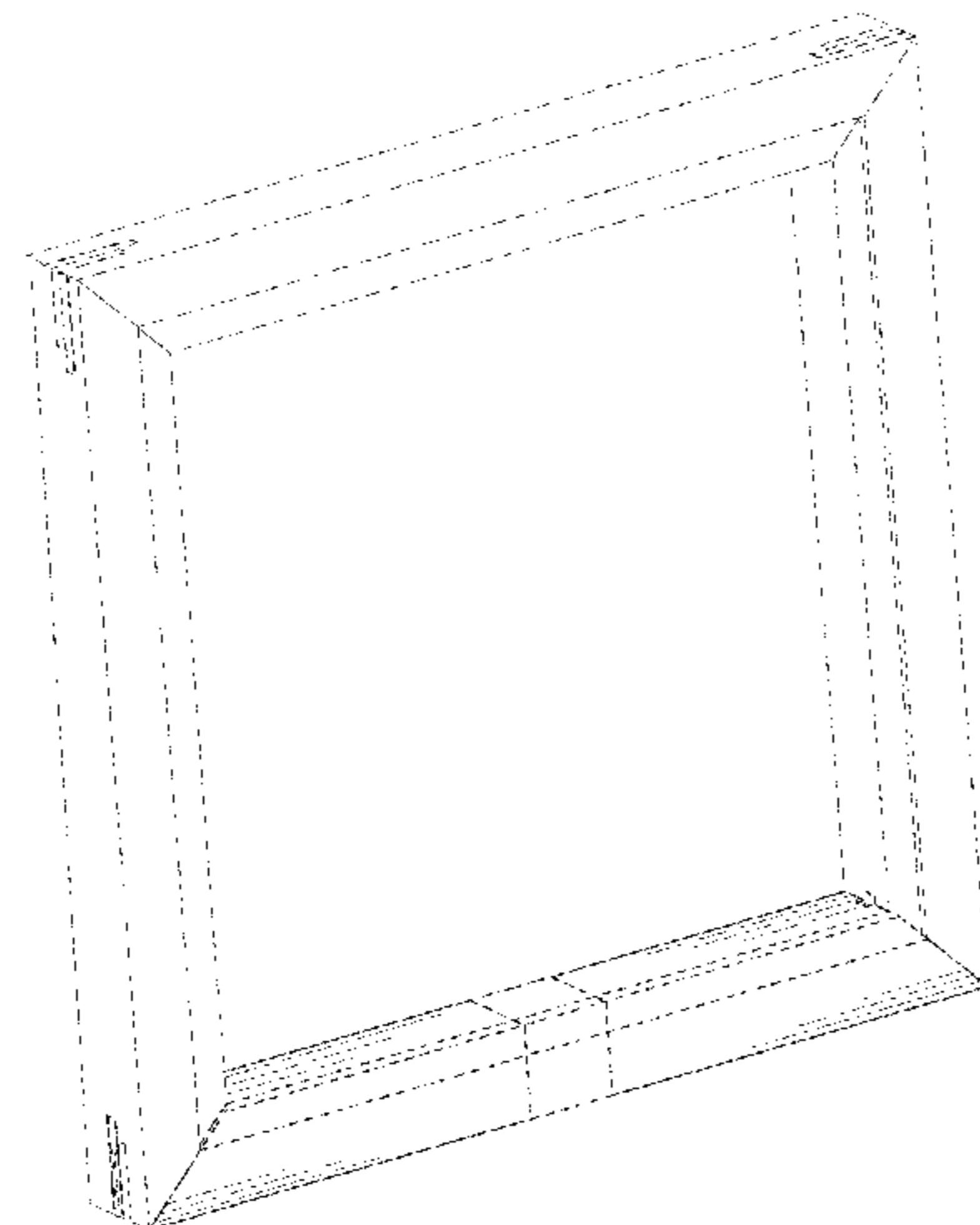
(57) **CLAIM**

I claim the ornamental design for an stretcher bar frame, as shown and described.

**DESCRIPTION**

FIG. 1 is a perspective view of a stretcher bar frame, showing my new design;  
FIG. 2 is an enlarged front perspective view thereof;  
FIG. 3 is a rear perspective view of FIG. 2;  
FIG. 4 is a front elevational view of FIG. 2;  
FIG. 5 is a rear elevational view of FIG. 2;  
FIG. 6 is a top plan view of FIG. 2;  
FIG. 7 is a bottom plan view of FIG. 2;  
FIG. 8 is an enlarged left-side elevational view of FIG. 2; and,  
FIG. 9 is an enlarged right-side elevational view of FIG. 2. The broken lines in FIG. 1 depict environment and form no part of the claimed design. The additional broken lines shown in the figures represent portions of the stretcher bar frame, which form no part of the claimed design.

**1 Claim, 3 Drawing Sheets**



(56)

References Cited

U.S. PATENT DOCUMENTS

2,155,729 A \* 4/1939 Mainieri ..... E06B 3/9845  
 403/382  
 3,830,278 A \* 8/1974 Packer ..... B44D 3/185  
 160/378  
 4,637,147 A \* 1/1987 Wolsey ..... D06C 3/08  
 144/347  
 5,405,146 A \* 4/1995 Washington ..... A47G 1/0605  
 273/157 R  
 D394,671 S \* 5/1998 McGuire ..... B44D 3/185  
 D19/113  
 5,839,214 A \* 11/1998 Peterson ..... B44D 3/185  
 38/102.4  
 6,757,997 B1 \* 7/2004 Burroughs ..... D05C 1/02  
 38/102.6  
 D548,981 S \* 8/2007 Ernetoft ..... B44D 3/185  
 D6/300  
 7,784,202 B2 \* 8/2010 Van Beeten ..... B44D 3/185  
 38/102.4  
 8,353,327 B2 \* 1/2013 Domingue ..... B44D 3/185  
 160/374.1  
 8,936,065 B1 \* 1/2015 Gillespie ..... B44D 3/185  
 160/371  
 D796,943 S \* 9/2017 Roy ..... E06B 3/9845  
 D8/382

D909,769 S \* 2/2021 Roy ..... D6/300  
 2020/0406666 A1 \* 12/2020 Roy ..... B44D 3/185

OTHER PUBLICATIONS

Stretcher Bars By Artist's Loft [online], [site visited Jun. 23, 2020]. Available from internet, URL: <[https://www.michaels.com/stretcher-bars-by-artists-loft/M10496250.html?dwvar\\_M10496250\\_size=10%20in](https://www.michaels.com/stretcher-bars-by-artists-loft/M10496250.html?dwvar_M10496250_size=10%20in)> (Year: 2020).\*

Wooden Canvas Stretcher Bars [online], [site visited Jun. 23, 2020]. Available from internet, URL: <[https://www.canvaschamp.com/accessories/stretcher-bars?utm\\_source=google\\_shopping\\_ads&utm\\_medium=cpc](https://www.canvaschamp.com/accessories/stretcher-bars?utm_source=google_shopping_ads&utm_medium=cpc)> (Year: 2020).\*

Epic Art Group Solid Wood Stretcher Bars for Canvas Art or Needlepoint [online], [site visited Jun. 23, 2020]. Available from internet, URL: <[https://www.amazon.com/Epic-Art-Group-EAG-BAR16LD-Needlepoint/dp/B07WWBRMF8/ref=sr\\_1\\_5?dchild=1&keywords=canvas%2Bstretcher&qid=%E2%80%A6](https://www.amazon.com/Epic-Art-Group-EAG-BAR16LD-Needlepoint/dp/B07WWBRMF8/ref=sr_1_5?dchild=1&keywords=canvas%2Bstretcher&qid=%E2%80%A6)> (Year: 2019).\*

Blick Standard Stretcher Bars [online], [site visited Jun. 23, 2020]. Available from internet, URL: <<https://www.dickblick.com/products/blick-standard-stretcher-bars/?clickTracking=true&wmcp=pla&wmcid=items&wmckw=07227-1025&gclid=Cj0KCQj%E2%80%A6>> (Year: 2020).\*

\* cited by examiner

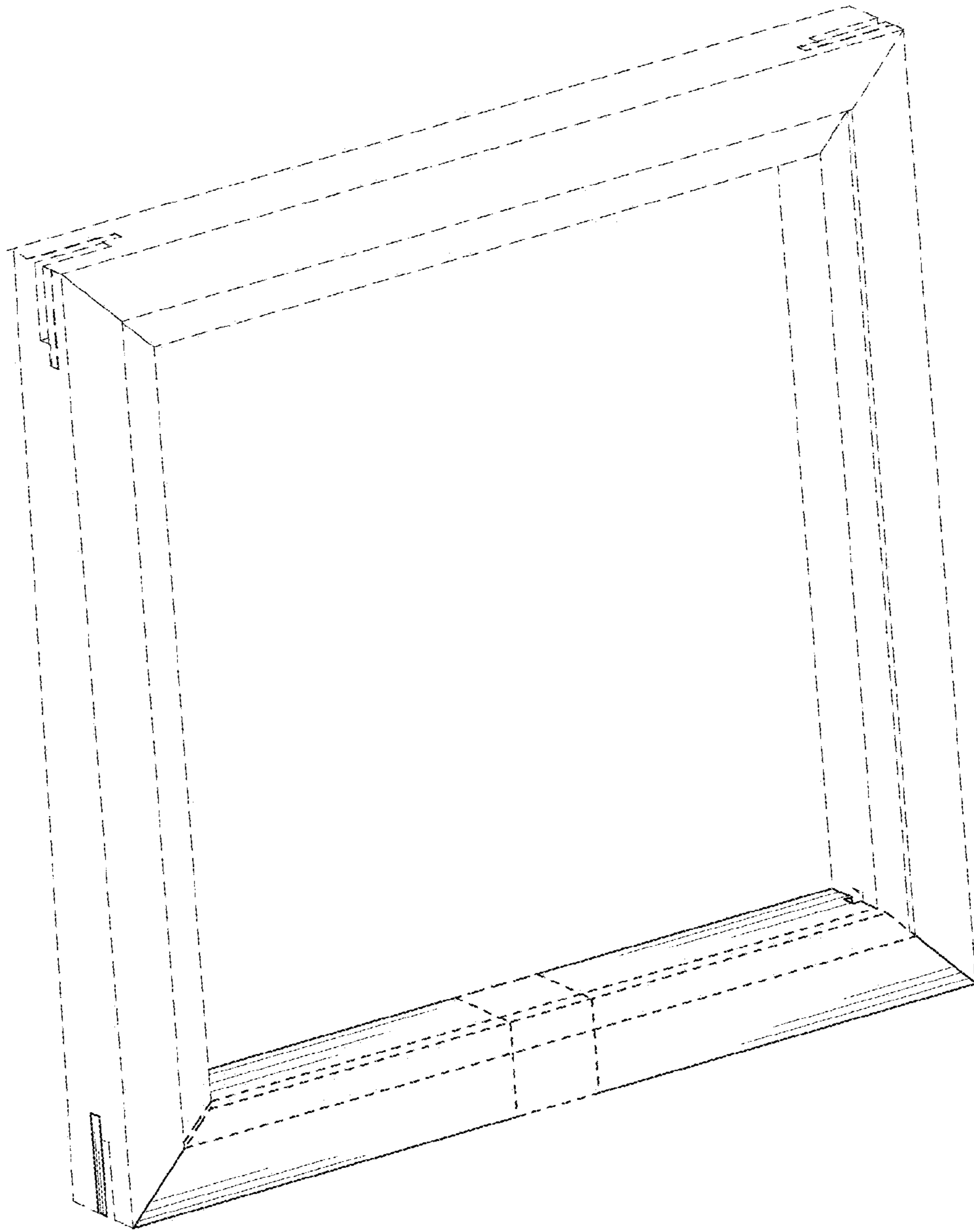


FIG. 1

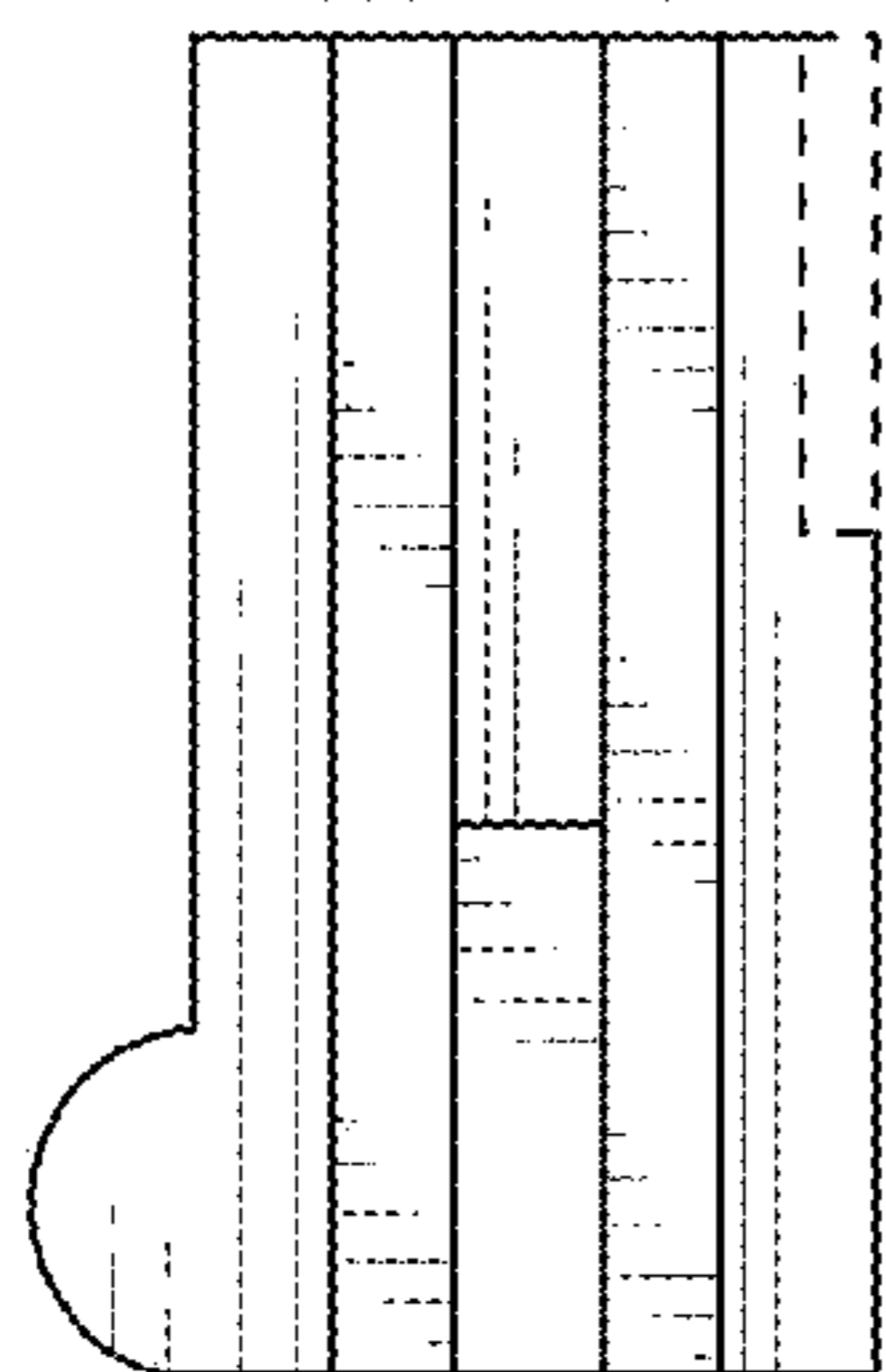


FIG. 8

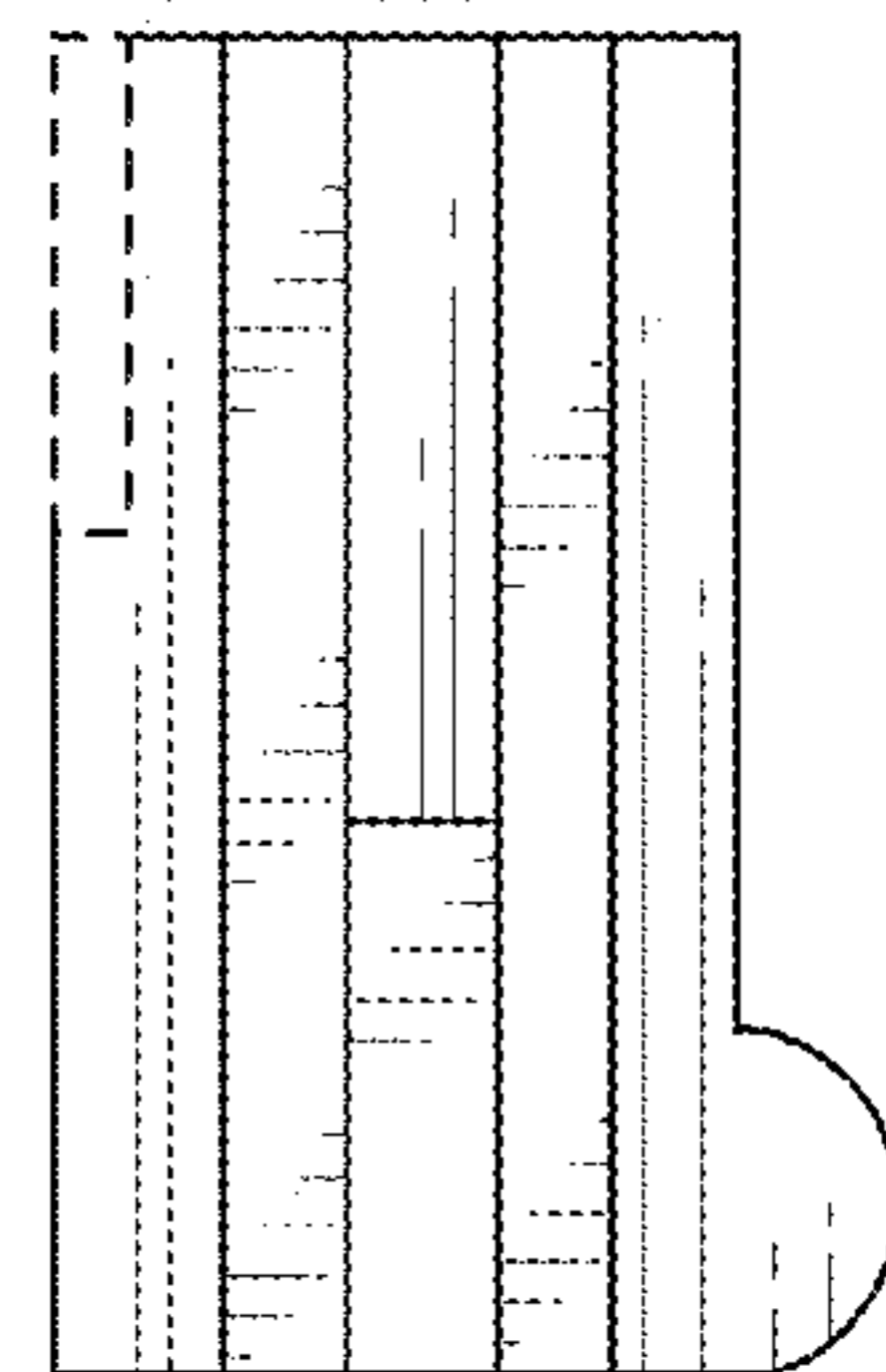
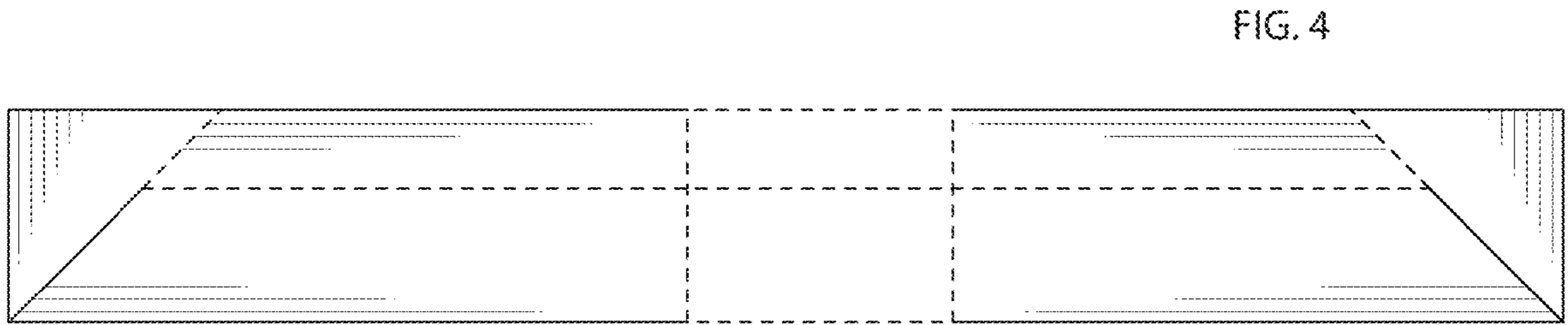
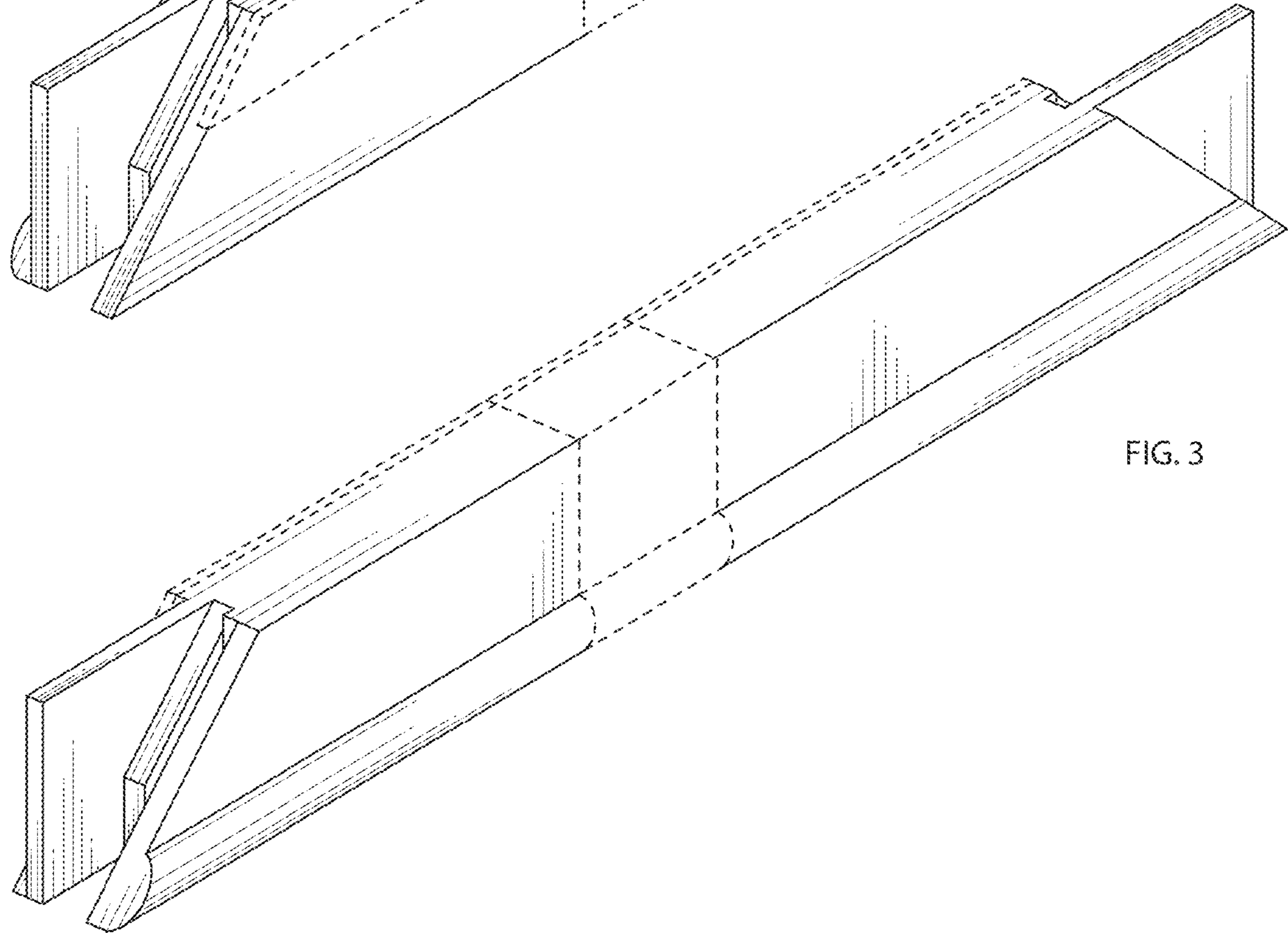
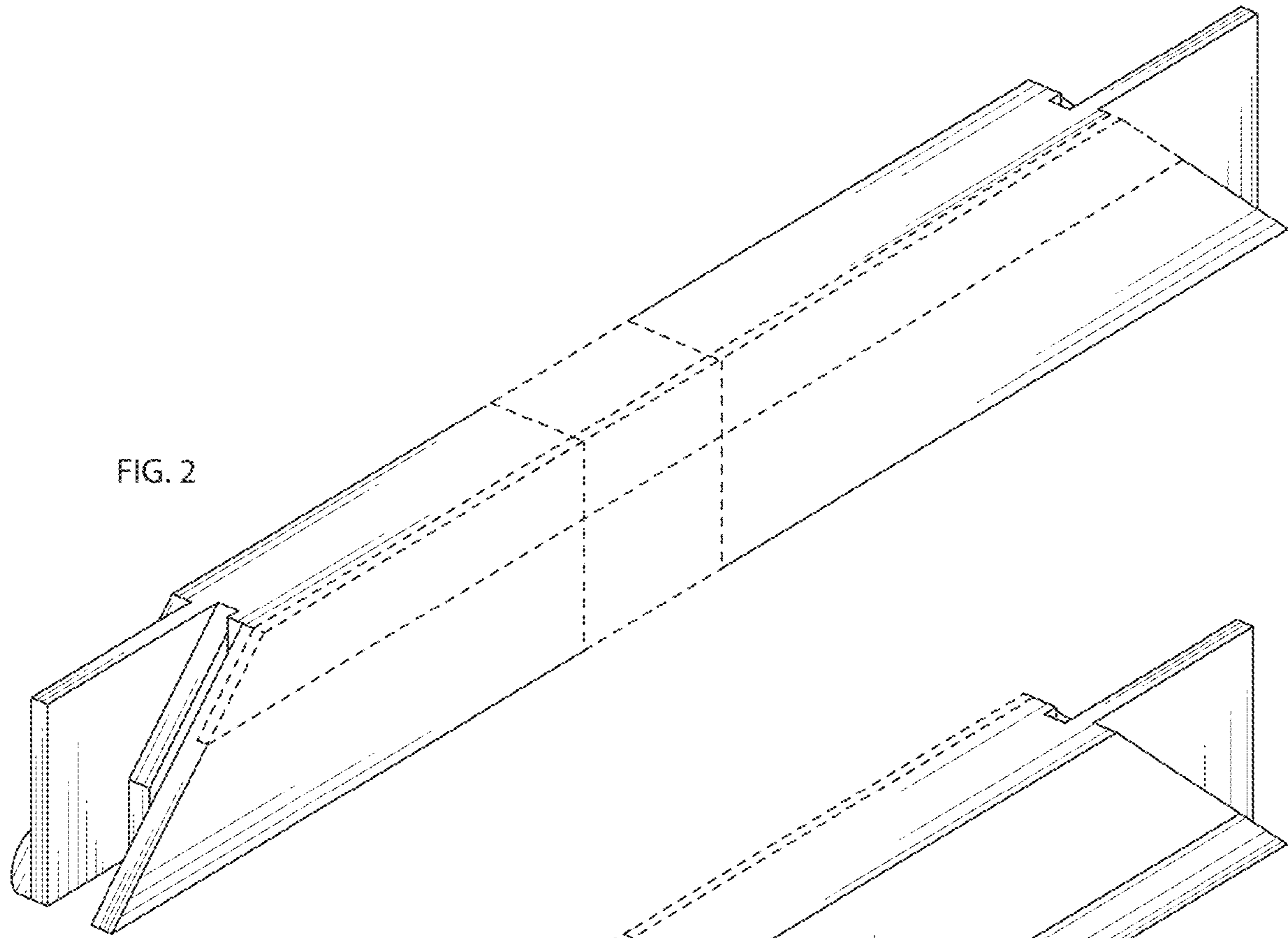


FIG. 9





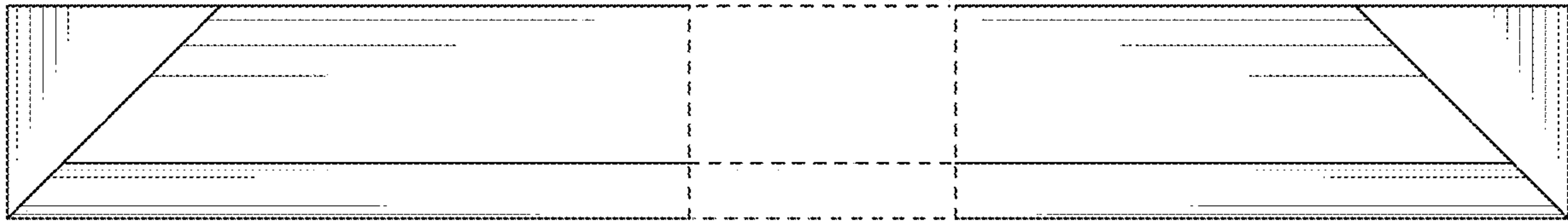


FIG. 5

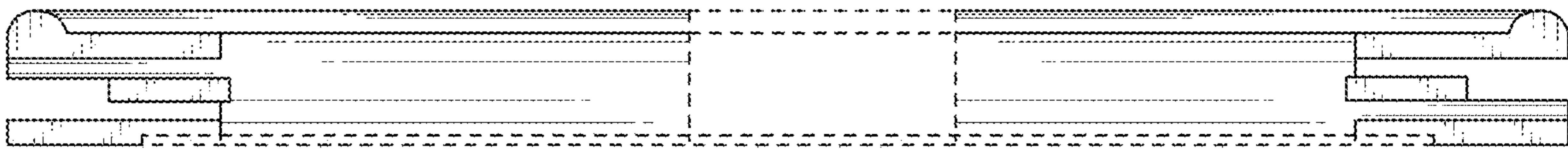


FIG. 6



FIG. 7