



US00D930366S

(12) **United States Design Patent** (10) **Patent No.:** **US D930,366 S**
Kim (45) **Date of Patent:** **** Sep. 14, 2021**

(54) **DRY SHAMPOO HAIR BRUSH**

OTHER PUBLICATIONS

(71) Applicant: **Michelle Kim**, San Francisco, CA (US)

Amazon Dry Brush, announced Nov. 2020 [online], [site visited May 17, 2021]. Available from internet, URL: https://www.amazon.com/MainBasics-Round-Brushing-Body-Brush/dp/B08DP1VHX1/ref=sr_1_1_sspa (Year: 2020).*

(72) Inventor: **Michelle Kim**, San Francisco, CA (US)

Revolve Brush, announced 2021 [online], [site visited May 17, 2021]. Available from internet, URL: <https://www.revolve.com/artis-elite-mirror-mini-palm-brush/dp/ATIS-WU17/> (Year: 2021).*

(**) Term: **15 Years**

(21) Appl. No.: **29/734,082**

(Continued)

(22) Filed: **May 8, 2020**

Primary Examiner — Kevin K Rudzinski

(51) **LOC (13) Cl.** **04-99**

Assistant Examiner — Tamara L Hahn

(52) **U.S. Cl.**
USPC **D4/127**

(74) *Attorney, Agent, or Firm* — Dinsmore & Shohl LLP;
John P. Teresinski

(58) **Field of Classification Search**
USPC D4/117-138; D30/158, 159; D24/214,
D24/215; D32/35, 51
CPC A46B 3/00; A46B 3/20; A46B 3/22; A46B
5/00; A46B 5/02; A46B 5/021; A46B
5/026; A47K 7/043; A61H 7/00; A61H
7/003

(57) **CLAIM**

The ornamental design for a dry shampoo hair brush, as shown and described.

See application file for complete search history.

DESCRIPTION

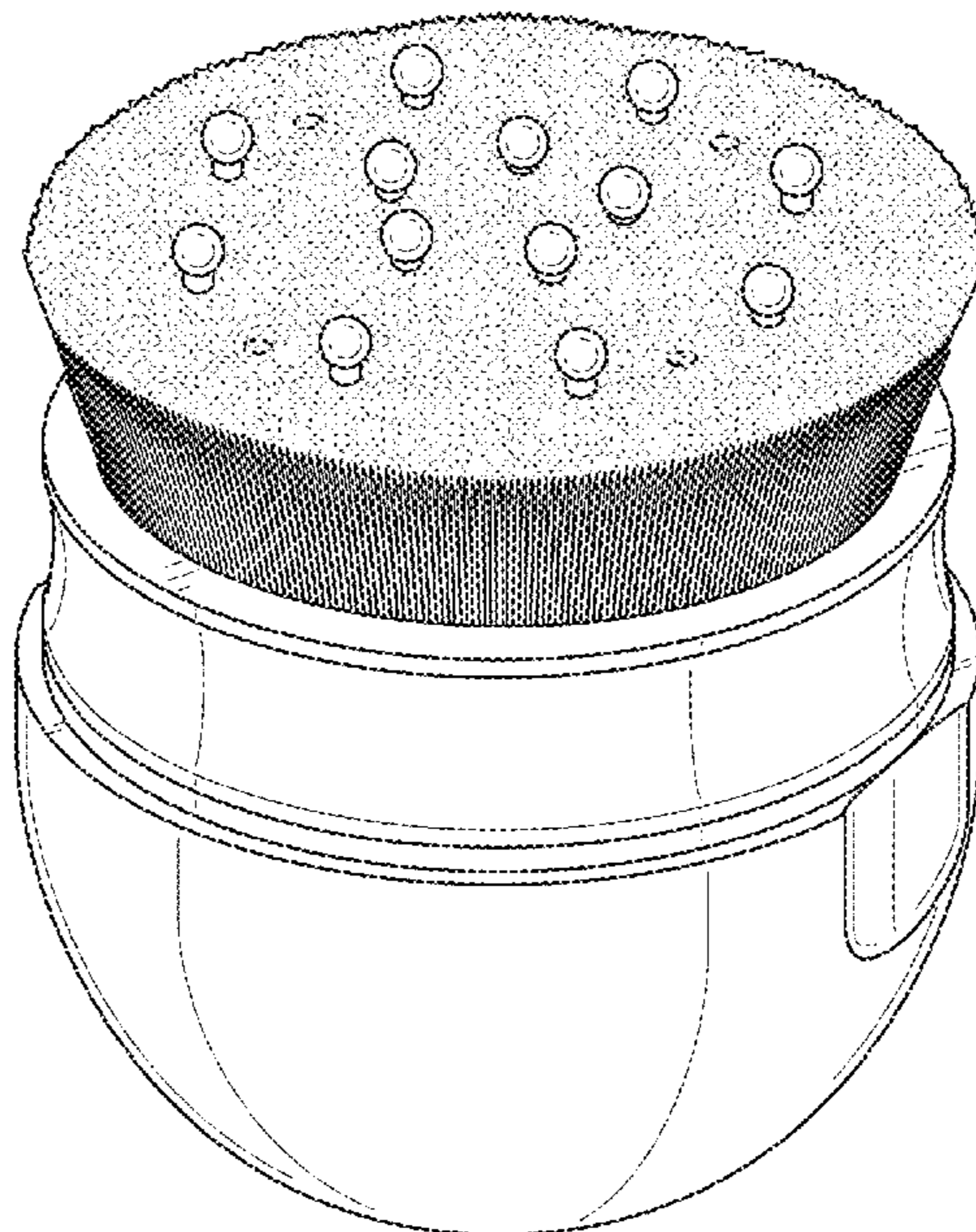
(56) **References Cited**

U.S. PATENT DOCUMENTS

D351,474 S *	10/1994	Huang	D24/211
D357,322 S *	4/1995	Matthews	D24/200
D361,386 S *	8/1995	Vandenbelt	D24/211
D834,329 S *	11/2018	Hwang	D4/127
D840,693 S *	2/2019	Hwang	D4/127
D876,842 S *	3/2020	Tschopp	D4/127
D882,273 S *	4/2020	Kling	D4/127
D888,979 S *	6/2020	Chernyavskiy	D24/214
D889,133 S *	7/2020	Rybacek	D4/116
D896,457 S *	9/2020	Shamoon	D32/40
D918,468 S *	5/2021	Kim	D28/7
2016/0206086 A1 *	7/2016	Boyko	A46B 7/023
2019/0313762 A1 *	10/2019	Maor	A45D 24/32
2020/0037747 A1 *	2/2020	Khormaei	A46B 15/004

FIG. 1 is a front view of the dry shampoo hair brush according to a first embodiment showing the new design; FIG. 2 is an elevated front and side perspective view of the dry shampoo hair brush; FIG. 3 is a top view of the dry shampoo hair brush; FIG. 4 is a side view of the dry shampoo hair brush; FIG. 5 is a bottom view of the dry shampoo hair brush; FIG. 6 is a front view of the dry shampoo hair brush according to a second embodiment. The second embodiment having the same top appearance as shown in FIG. 3 and bottom appearance as shown in FIG. 5 as the first embodiment; FIG. 7 is an elevated front and side perspective view of the dry shampoo hair brush; and, FIG. 8 is a side view of the dry shampoo hair brush according to the second embodiment.

1 Claim, 5 Drawing Sheets



(56)

References Cited

OTHER PUBLICATIONS

Naturopathica Brush, announced 2021 [online], [site visited May 17, 2021]. Available from internet, URL: <https://www.heydayskincare.com/products/naturopathica-facial-cleansing-brush> (Year: 2021).*

Walmart Eco Brush, announced Feb. 2019 [online], [site visited May 17, 2021]. Available from internet, URL: <https://www.walmart.com/ip/EcoTools-Compact-Deep-Cleansing-Facial-Brush-Reviving-Color-May-Vary-Single/275955205> (Year: 2019).*

Artis Brush, announced 2021 [online], [site visited May 17, 2021]. Available from internet, URL: <https://byartis.com/products/palm-brush-mini?variant=21393200709745> (Year: 2021).*

* cited by examiner

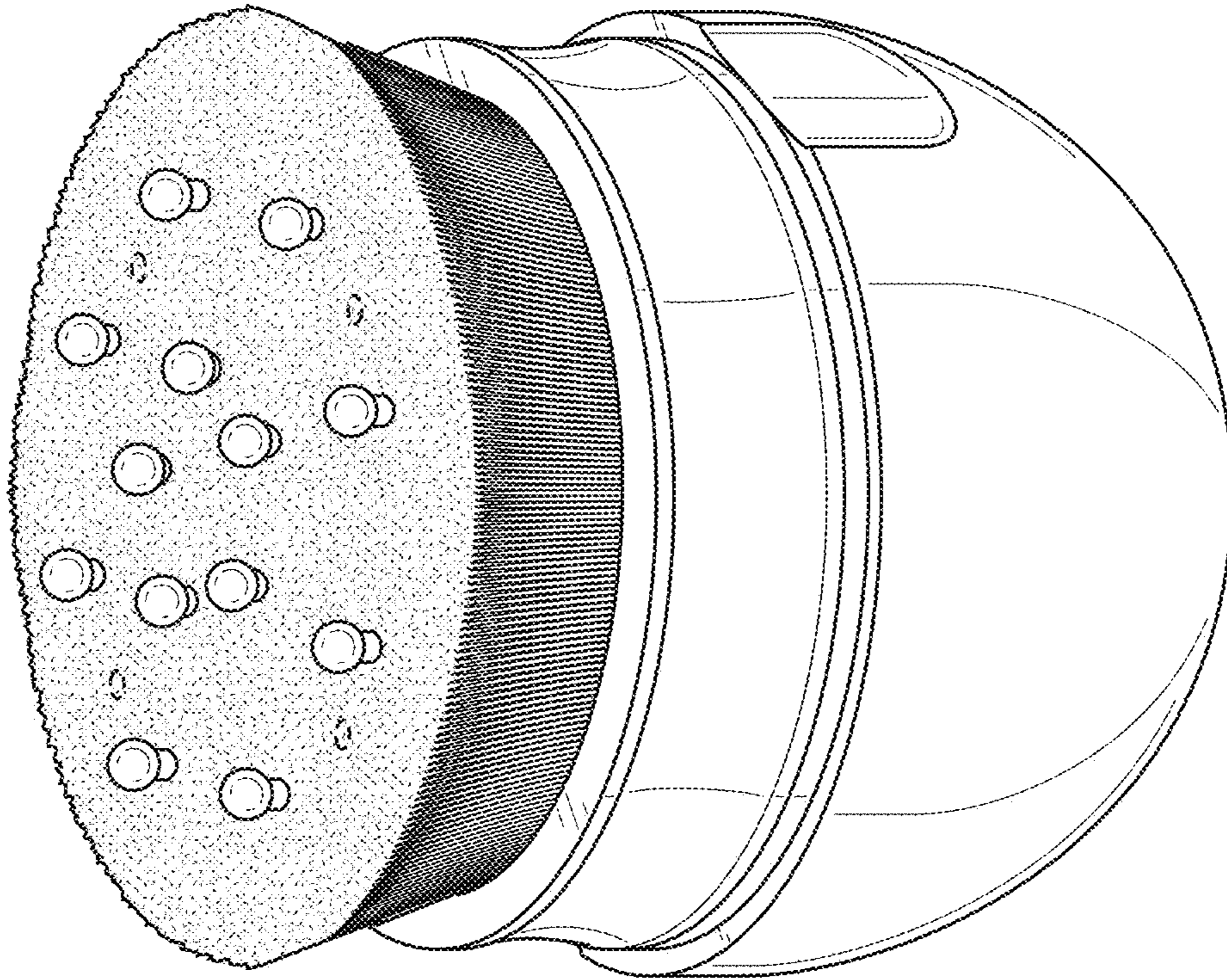


FIG. 2

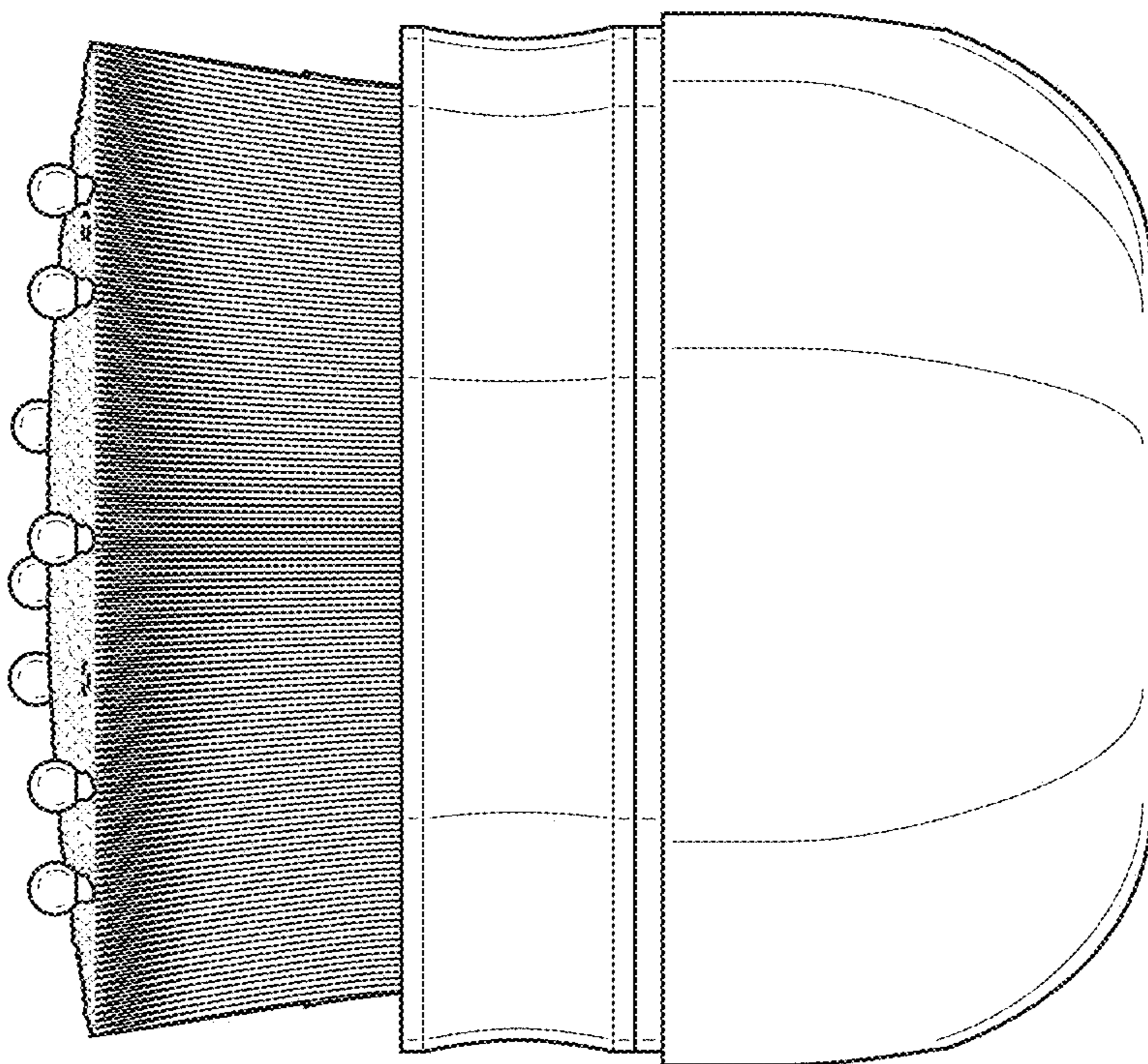


FIG. 1

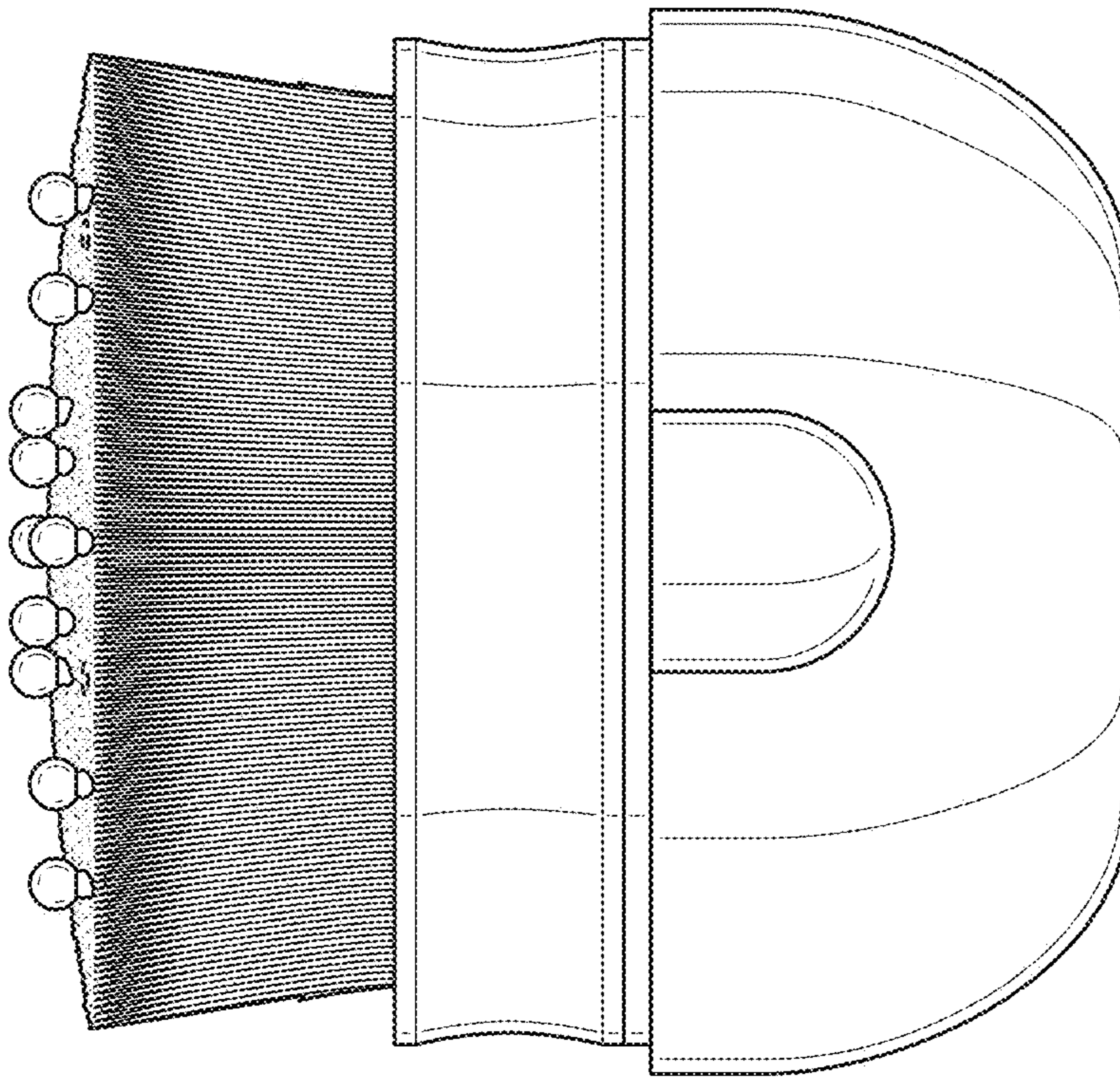


FIG. 4

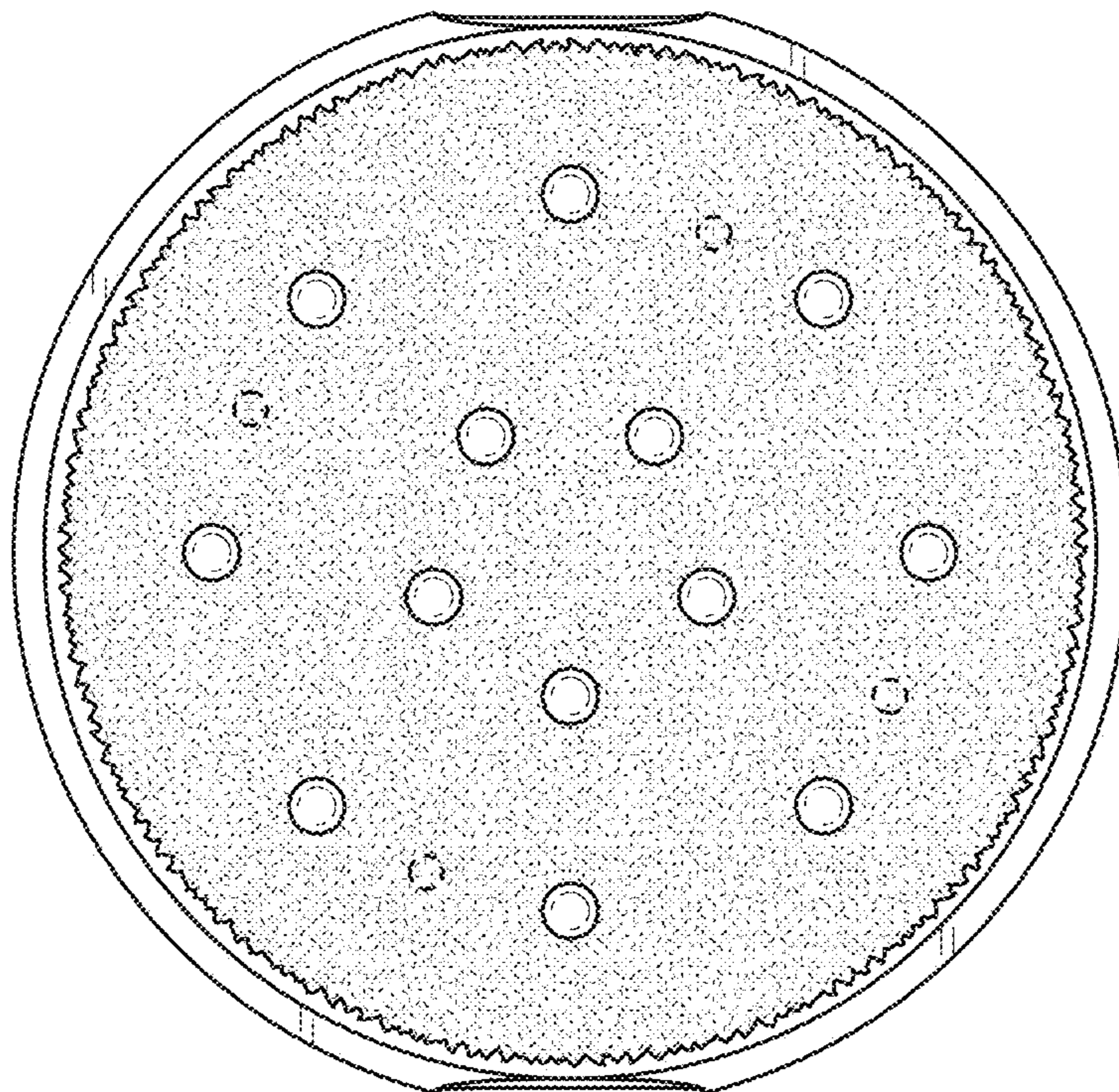


FIG. 3

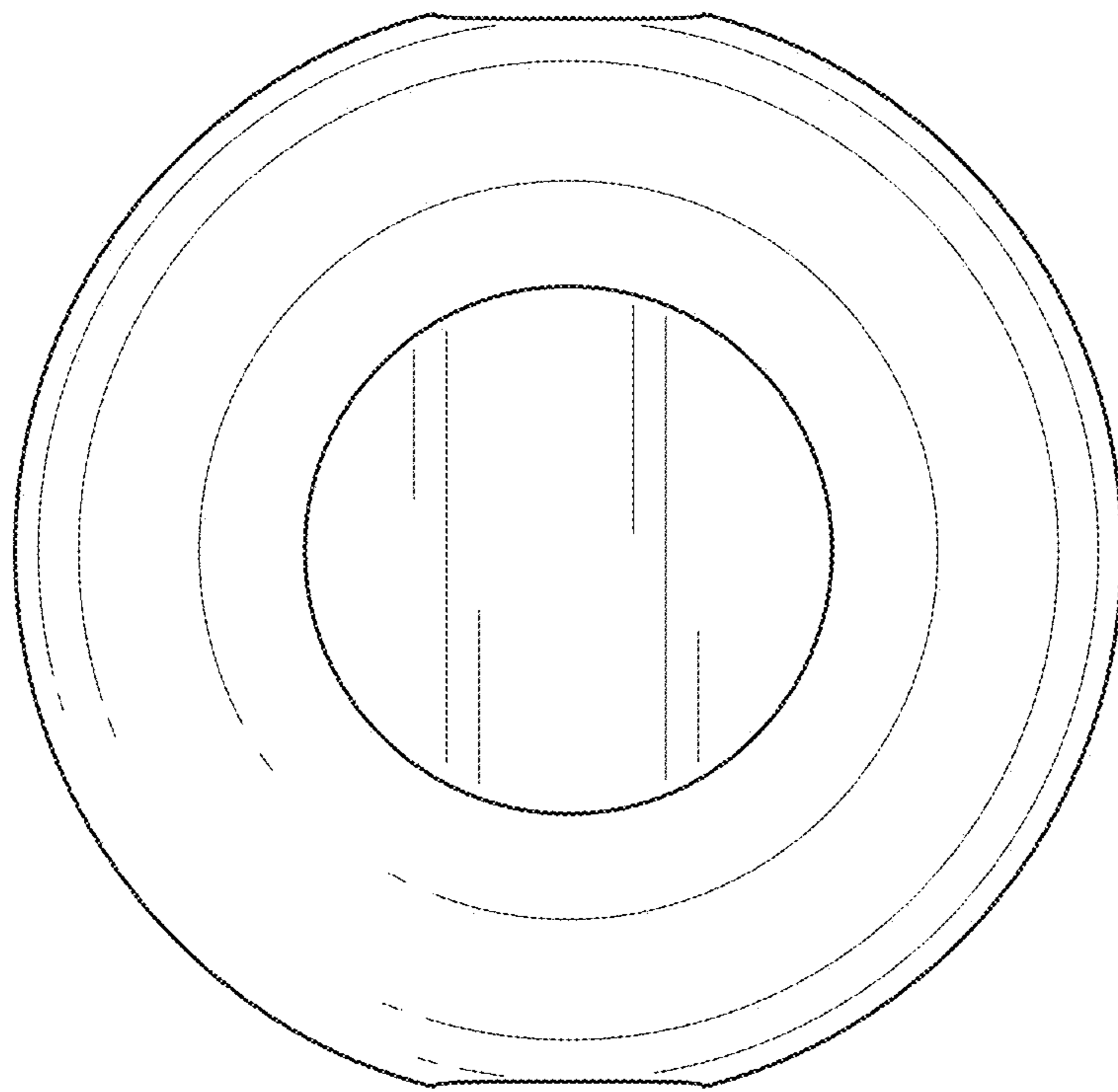


FIG. 5

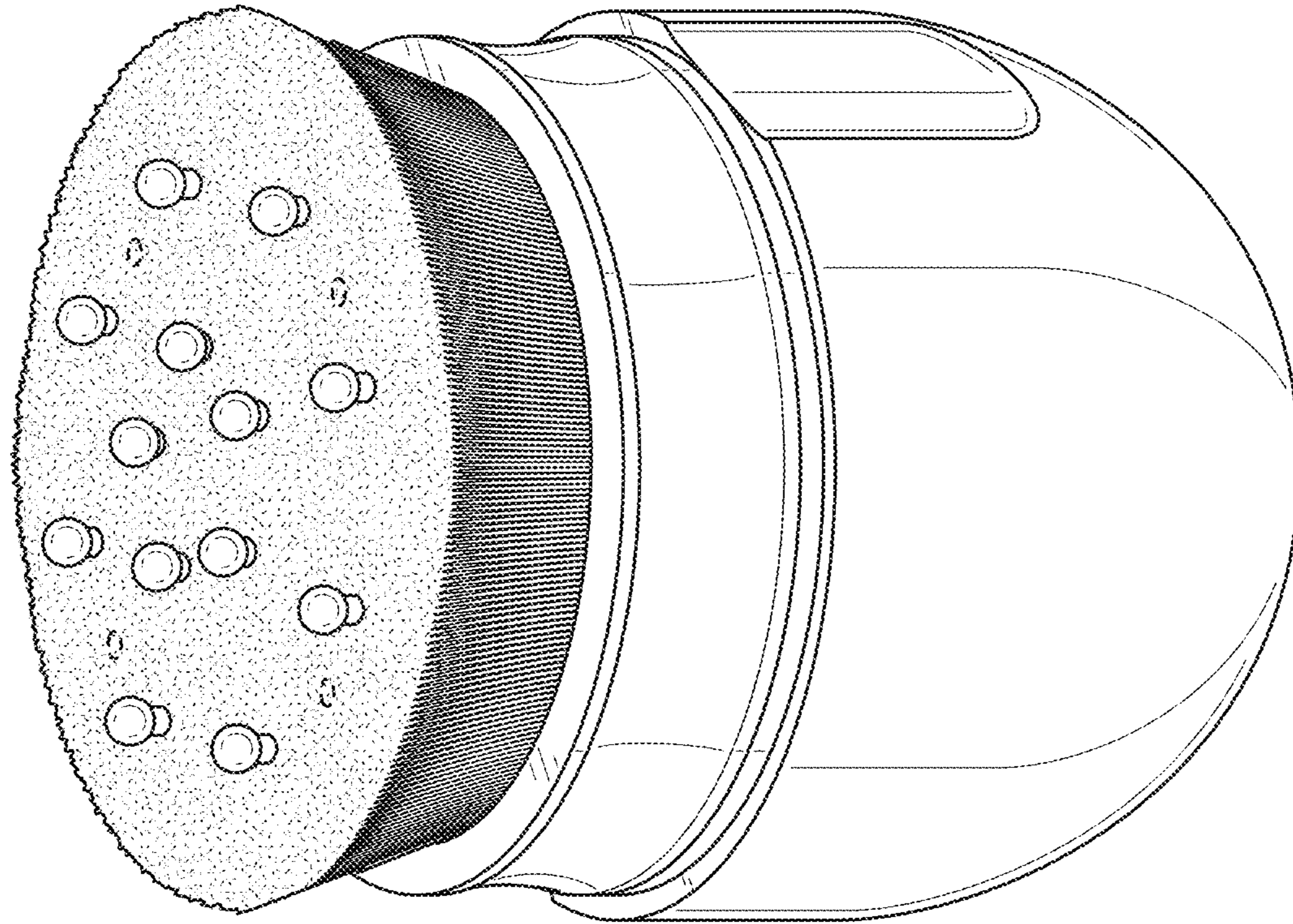


FIG. 7

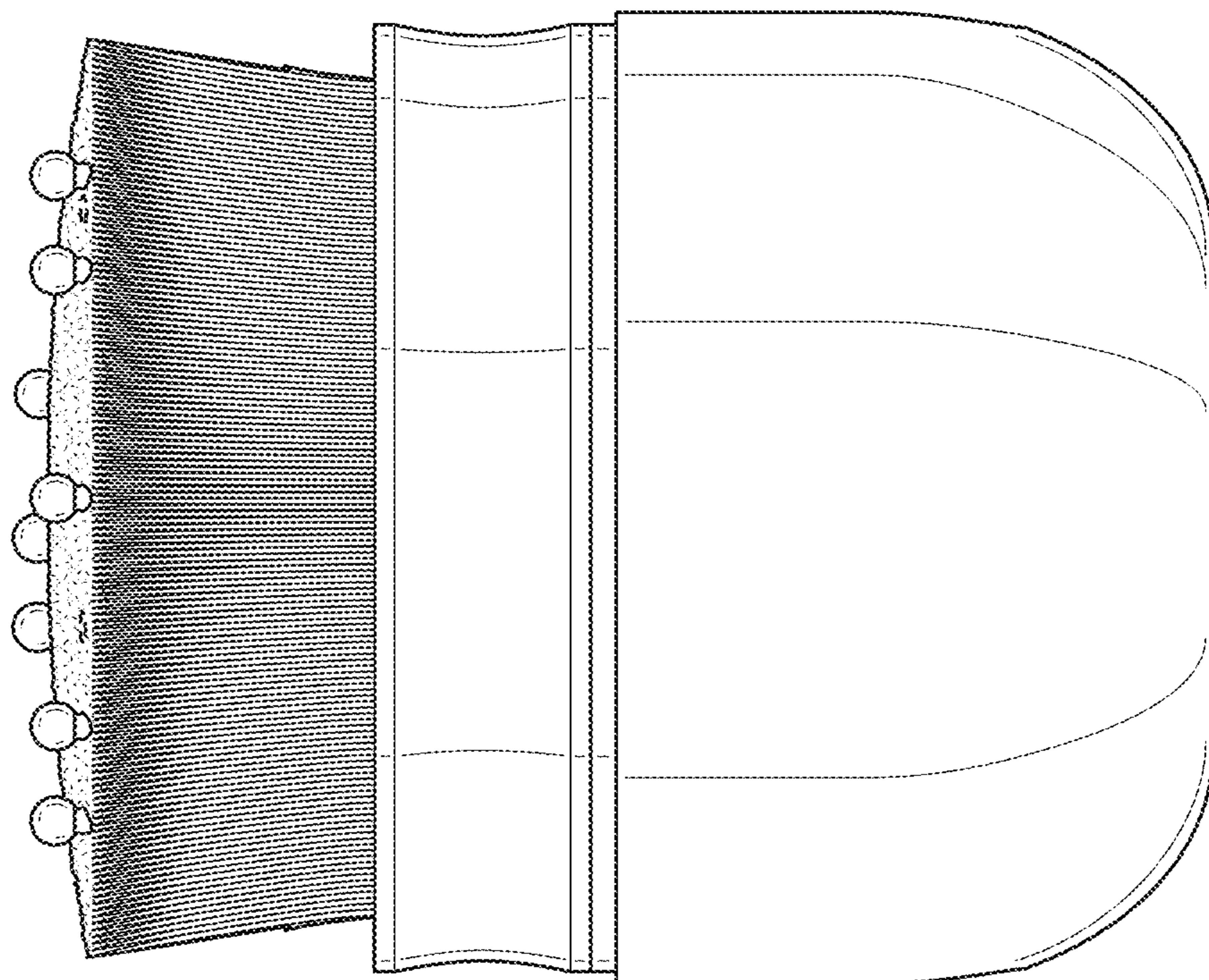


FIG. 6

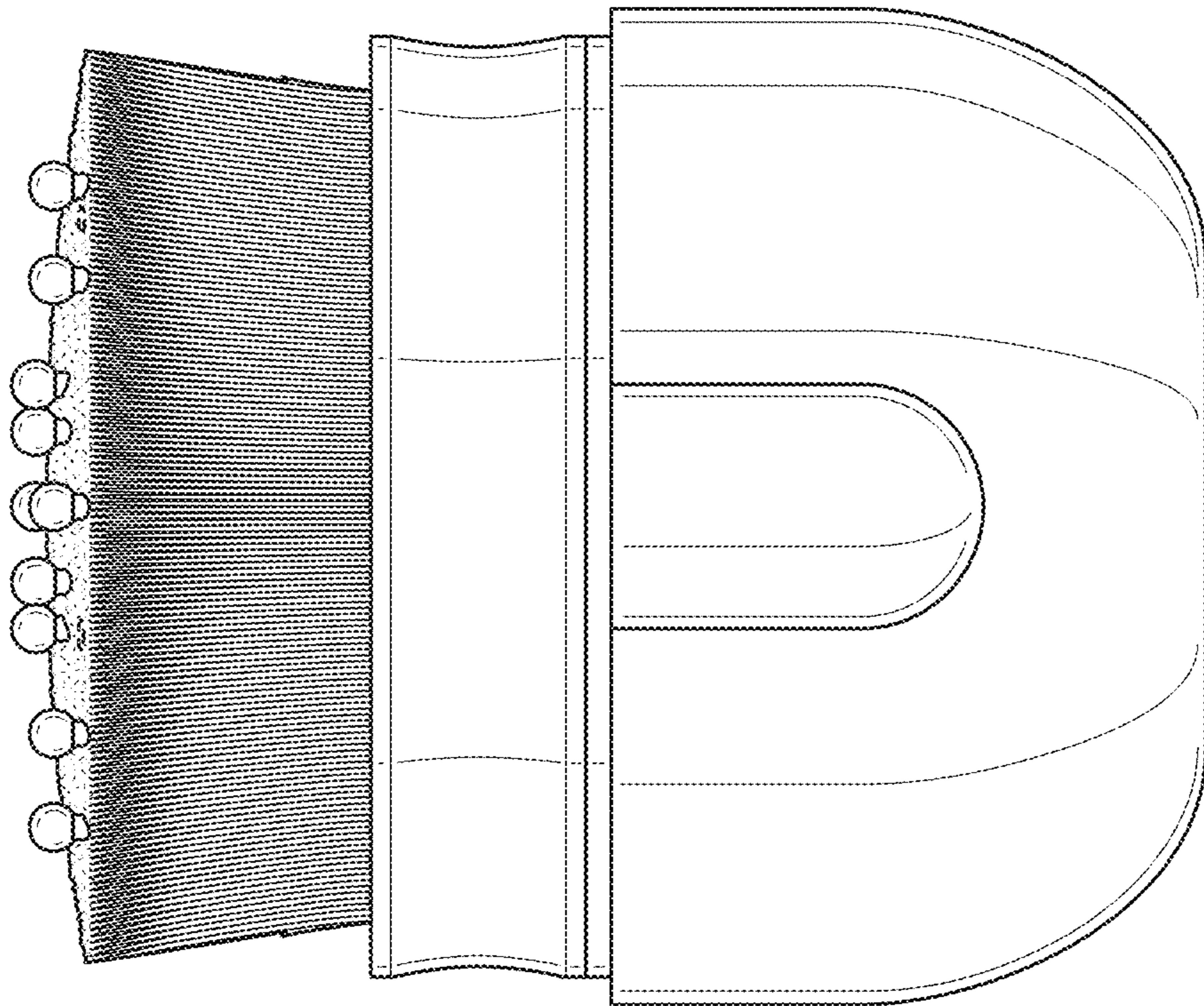


FIG. 8