



US00D930365S

(12) **United States Design Patent** (10) **Patent No.:** **US D930,365 S**  
**Ladva et al.** (45) **Date of Patent:** **\*\* Sep. 14, 2021**

(54) **ORAL HYGIENE TOOL**  
(71) Applicants: **Suresh Kurji Ladva**, Brea, CA (US);  
**Sonal S Ladva**, Brea, CA (US)  
(72) Inventors: **Suresh Kurji Ladva**, Brea, CA (US);  
**Sonal S Ladva**, Brea, CA (US)  
(\*\*) Term: **15 Years**  
(21) Appl. No.: **29/719,192**  
(22) Filed: **Jan. 1, 2020**  
(51) **LOC (13) Cl.** ..... **04-02**  
(52) **U.S. Cl.**  
USPC ..... **D4/108**  
(58) **Field of Classification Search**  
USPC .... D4/100-138; D8/90, 105, 107, 300, 303;  
D32/50, 51, 52; D28/7, 63; D7/393,  
D7/395, 401.2; D24/176, 181  
CPC .... A46B 2200/1066; A46B 2200/1046; A46B  
2200/3093; A46B 9/04; A46B 13/023;  
A46B 5/0095; A61C 15/00; Y10S 15/00;  
Y10S 15/10  
See application file for complete search history.

D901,901 S \* 11/2020 Peppers ..... D4/118  
2013/0000658 A1\* 1/2013 Nguyen ..... A46B 15/0071  
132/200  
2015/0007402 A1\* 1/2015 Ladva ..... A46B 15/0081  
15/111  
2018/0055207 A1\* 3/2018 Hohlbein ..... A46D 1/0238

**OTHER PUBLICATIONS**

Amazon All-in-One Toothbrush, announced 2021 [online], [site visited Mar. 17, 2021]. Available from internet, URL: [https://www.amazon.com/BAO-TEA-All-in-one-Toothbrush-Cleaner/dp/B08T4JQCYQ/ref=sr\\_1\\_2\\_sspa](https://www.amazon.com/BAO-TEA-All-in-one-Toothbrush-Cleaner/dp/B08T4JQCYQ/ref=sr_1_2_sspa) (Year: 2021).\*

\* cited by examiner

*Primary Examiner* — George A Bugg  
*Assistant Examiner* — Tamara L Hahn  
(74) *Attorney, Agent, or Firm* — Eric Karich; Karich & Associates

(57) **CLAIM**

The ornamental design for an oral hygiene tool, as shown and described.

(56) **References Cited**

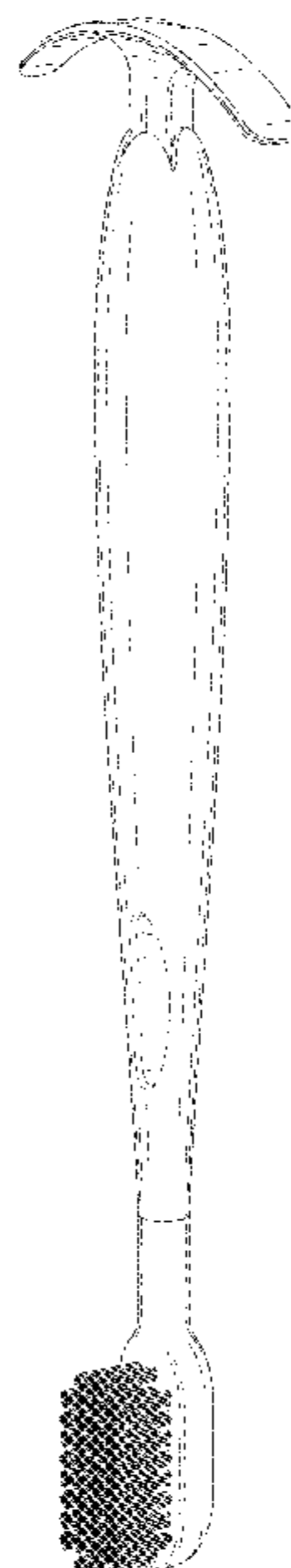
**U.S. PATENT DOCUMENTS**

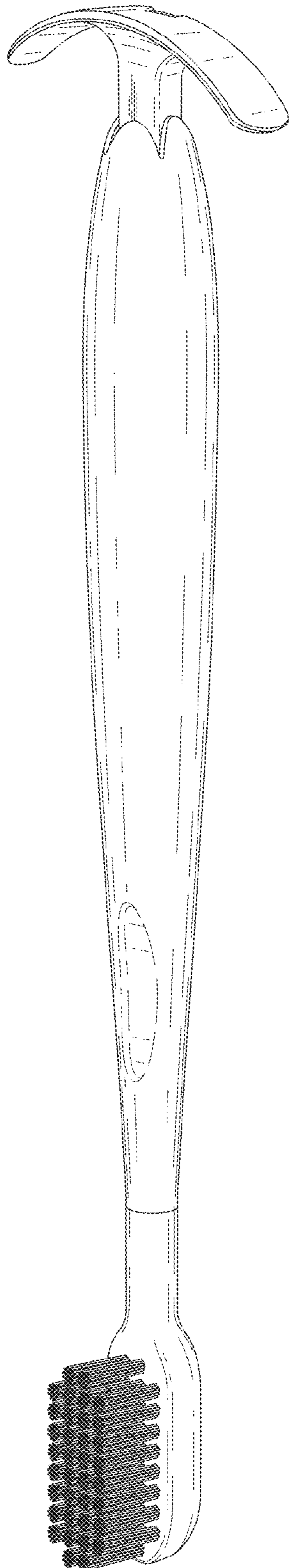
4,455,704 A \* 6/1984 Williams ..... A46B 15/0055  
15/111  
D377,417 S \* 1/1997 Gupta ..... D24/147  
D721,504 S \* 1/2015 Kim ..... D4/108  
D723,285 S \* 3/2015 Song ..... D4/108  
9,055,809 B1 \* 6/2015 Ladva ..... A46B 15/0081  
D788,306 S \* 5/2017 Ladva ..... D24/154  
9,642,450 B1 \* 5/2017 Singh ..... A46B 15/0081  
D874,155 S \* 2/2020 Grant ..... D4/108  
D876,098 S \* 2/2020 Gan ..... D4/104  
D881,466 S \* 4/2020 Cope ..... D28/23  
D882,960 S \* 5/2020 Ji ..... D4/104

**DESCRIPTION**

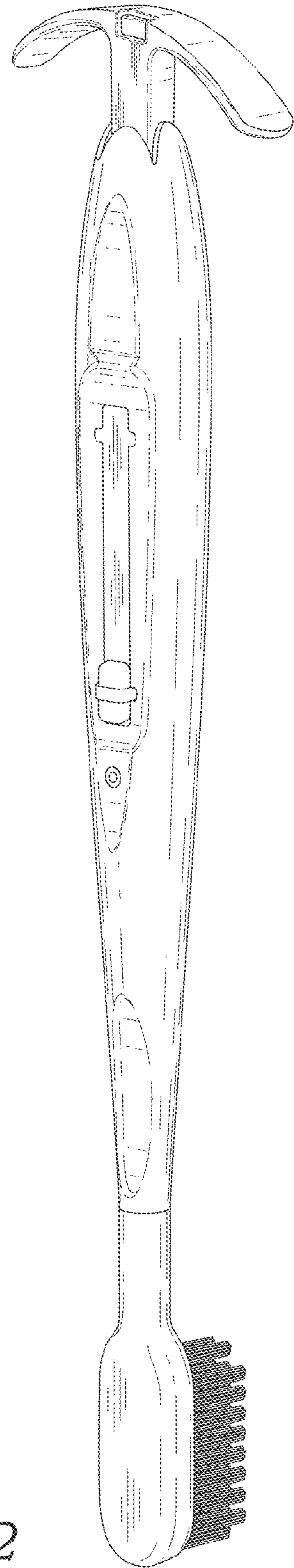
FIG. 1 is a perspective view of an oral hygiene tool, showing my new design;  
FIG. 2 is a rear perspective view thereof;  
FIG. 3 is a front elevational view thereof;  
FIG. 4 is a rear elevational view thereof;  
FIG. 5 is a left side elevational view thereof;  
FIG. 6 is a right side elevational view thereof;  
FIG. 7 is a top plan view thereof; and,  
FIG. 8 is a bottom plan view thereof.

**1 Claim, 4 Drawing Sheets**

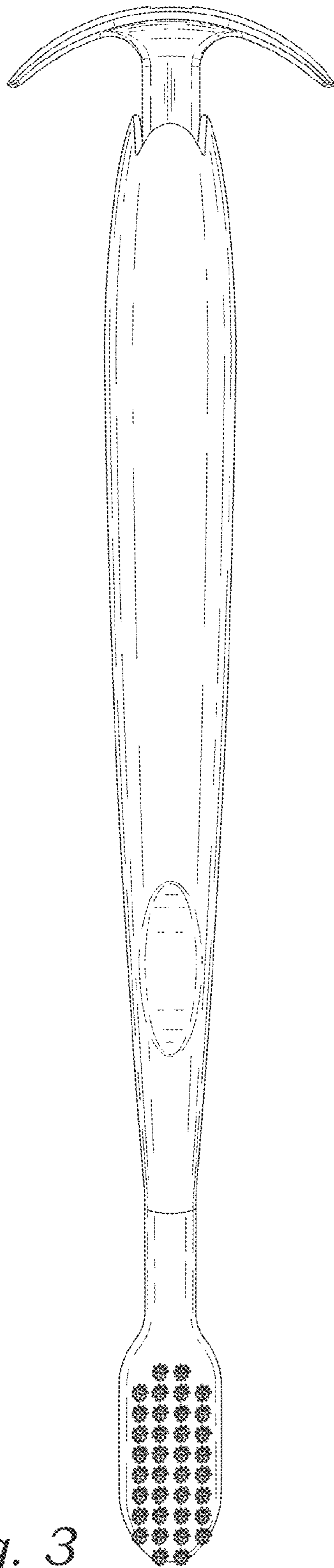




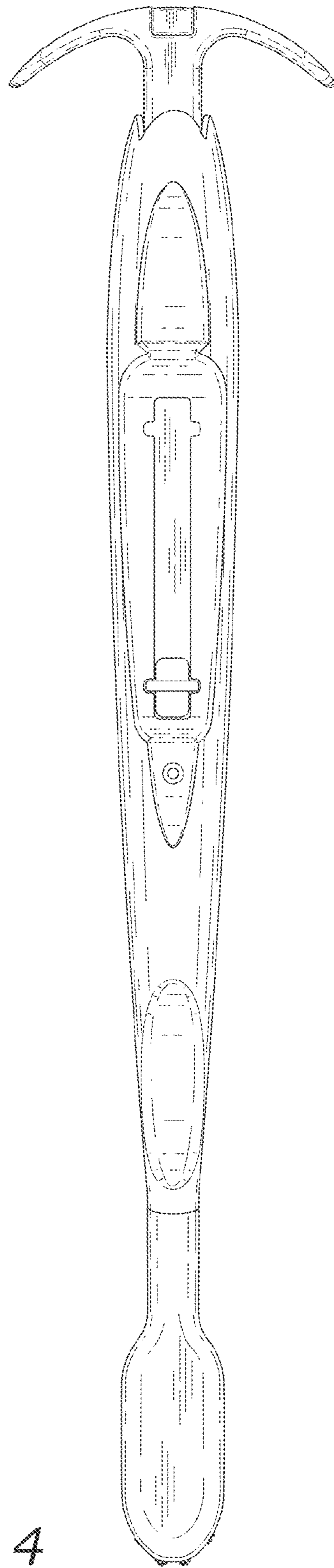
*Fig. 1*



*Fig. 2*

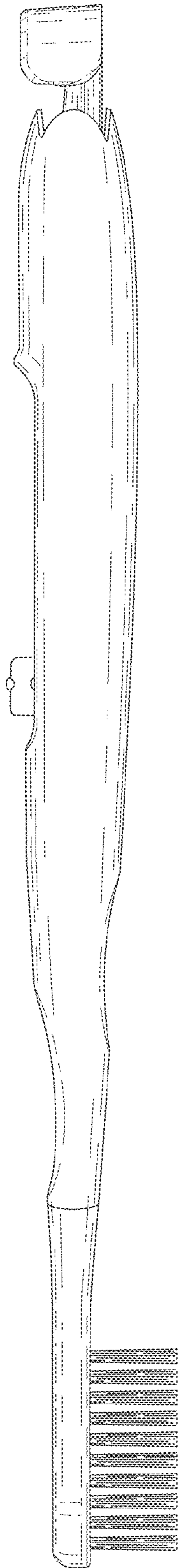


*Fig. 3*

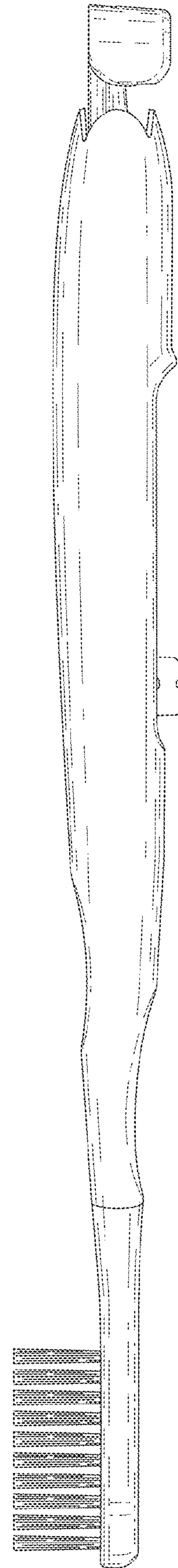


*Fig. 4*

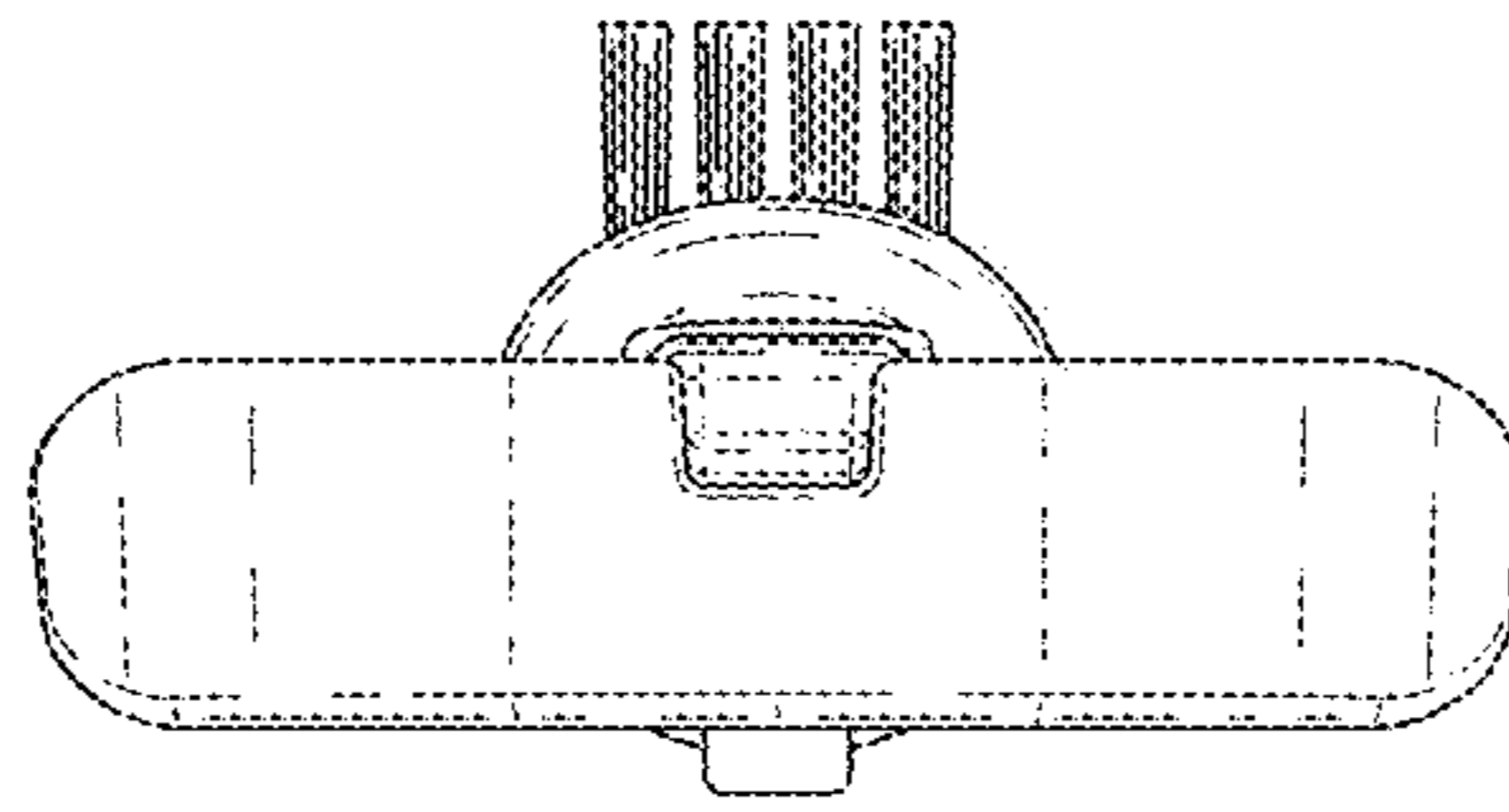




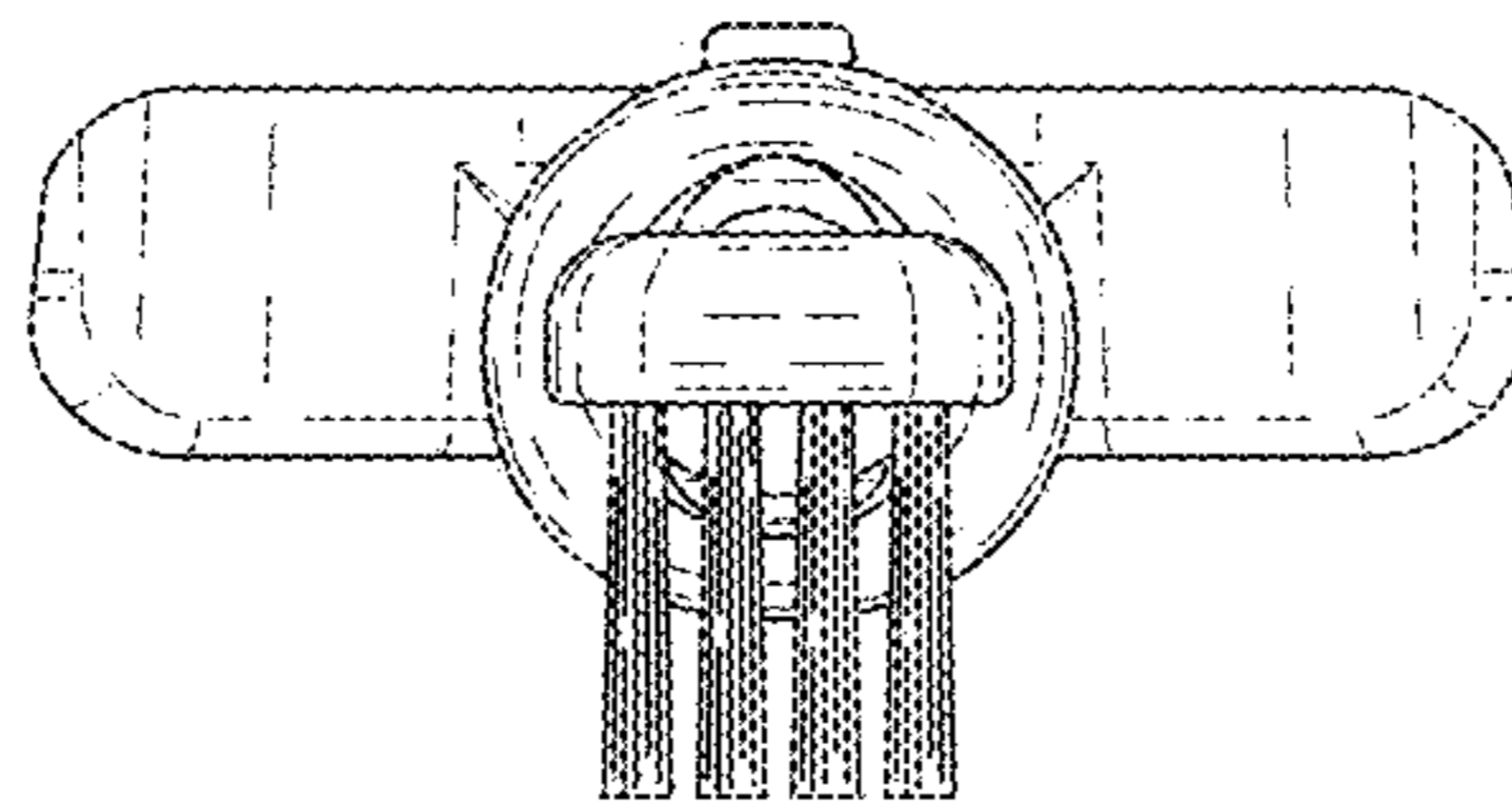
*Fig. 5*



*Fig. 6*



*Fig. 7*



*Fig. 8*