



US00D930364S

(12) **United States Design Patent** (10) **Patent No.:** **US D930,364 S**
Qiu (45) **Date of Patent:** **** Sep. 14, 2021**

(54) **ELECTRIC TOOTHBRUSH**
(71) Applicant: **Ranfang Qiu**, Ningbo (CN)
(72) Inventor: **Ranfang Qiu**, Ningbo (CN)
(**) Term: **15 Years**
(21) Appl. No.: **29/675,058**
(22) Filed: **Dec. 28, 2018**
(51) **LOC (13) Cl.** **28-03**
(52) **U.S. Cl.**
USPC **D4/101**
(58) **Field of Classification Search**
USPC D4/100, 101, 102, 104, 105, 106, 107,
D4/108, 109, 110, 111, 112, 113, 114,
D4/115, 121, 137, 199; 15/167.1;
D24/152, 176; D28/65
CPC A46B 2200/1066
See application file for complete search history.

D751,821 S * 3/2016 Since D4/101
D845,636 S * 4/2019 Porter D4/104
D861,351 S * 10/2019 Albay D4/101
10,610,008 B2 * 4/2020 Wagner F21V 23/0471

FOREIGN PATENT DOCUMENTS

CN 303658434 * 5/2016
CN 30919026 * 11/2016
CN 304416624 * 12/2017
CN 305423278 * 11/2019
WO WO-D098680-002 * 6/2018

* cited by examiner

Primary Examiner — Karen E Eldridge Powers
(74) *Attorney, Agent, or Firm* — Law Offices of Steven W. Weinrieb

(57) **CLAIM**

The ornamental design for an electric toothbrush, as shown and described.

(56) **References Cited**

U.S. PATENT DOCUMENTS

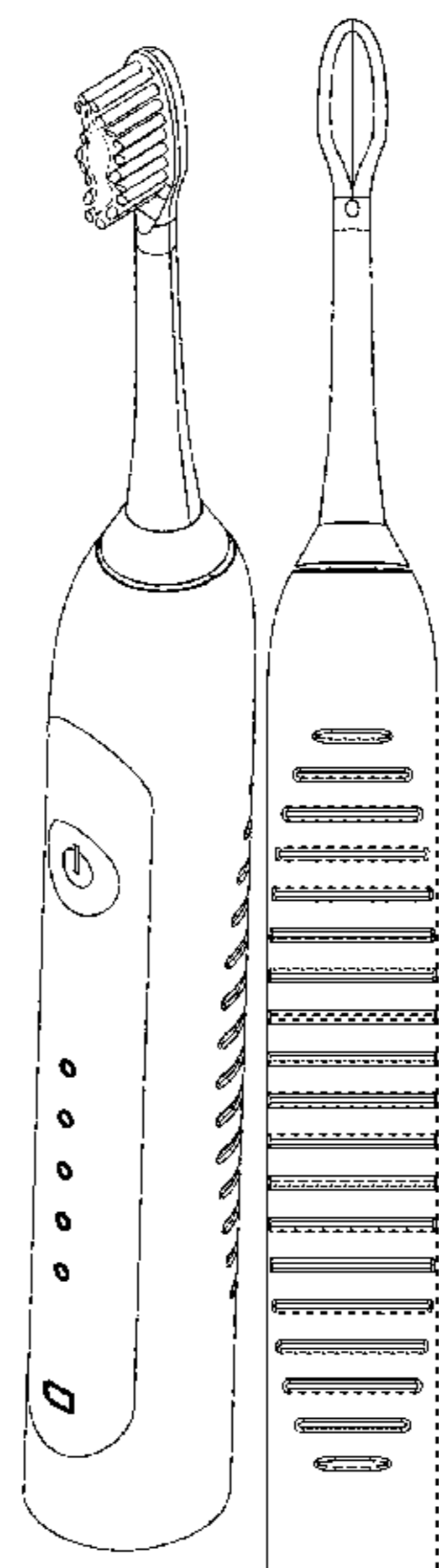
D340,808 S * 11/1993 Sherman D4/104
D498,670 S * 11/2004 Cummings D9/729
D534,725 S * 1/2007 Vu D4/101
D534,727 S * 1/2007 Vu D4/101
D563,674 S * 3/2008 Beedham D4/101
D580,173 S * 11/2008 Beedham D4/101
D611,712 S * 3/2010 Stoerkel D4/104
D653,035 S * 1/2012 Gebski D4/101
D669,687 S * 10/2012 Heil D4/101
8,443,476 B2 * 5/2013 Hilscher A61B 18/00
15/22.1
D696,517 S * 12/2013 Gebski D4/101
D696,518 S * 12/2013 Ballmaier D4/104
D698,156 S * 1/2014 Kling D4/104
8,656,548 B2 * 2/2014 Jungnickel A61C 17/222
15/221
8,671,493 B2 * 3/2014 Hilscher A61C 17/22
15/22.1

DESCRIPTION

FIG. 1 is a front, right side, top perspective view of the electric toothbrush showing my new design;
FIG. 2 is a front elevational view thereof;
FIG. 3 is a rear elevational view thereof;
FIG. 4 is a left side elevational view thereof;
FIG. 5 is a right side elevational view thereof;
FIG. 6 is a top plan view thereof; and,
FIG. 7 is a bottom plan view thereof.

The broken line shown in the center of the toothbrush head, which defines the bounds of the claimed design, forms no part thereof. The broken lines shown on the bottom plan view in FIG. 7 illustrate features of the article that form no part of the claimed design.

1 Claim, 7 Drawing Sheets



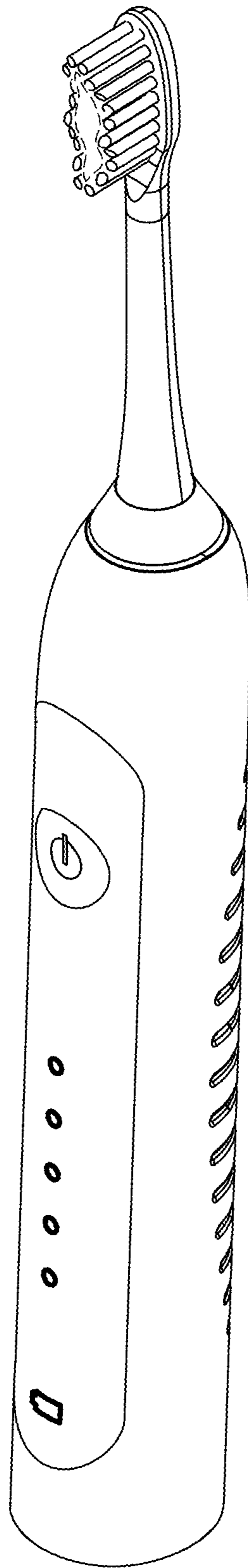


FIG. 1

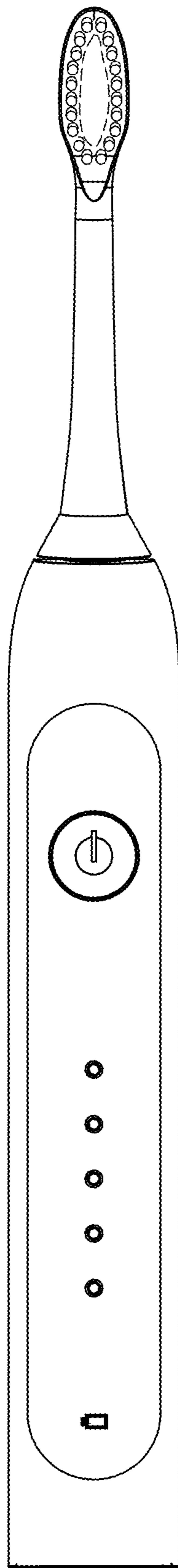


FIG. 2

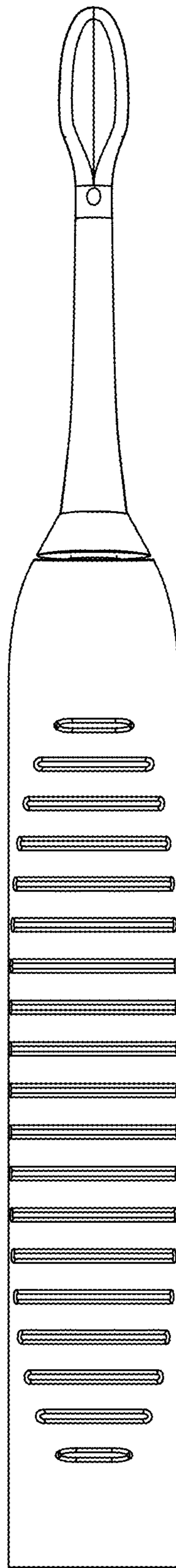


FIG. 3

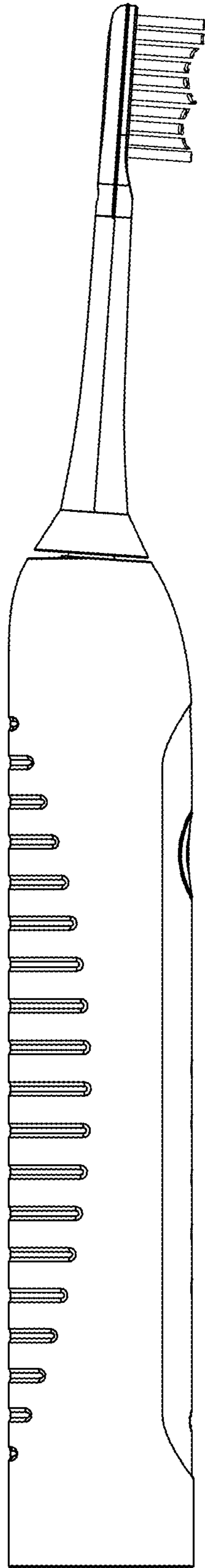


FIG. 4

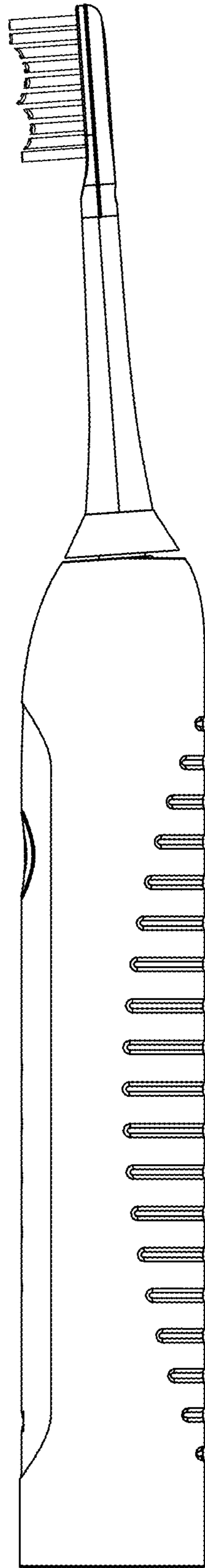


FIG. 5

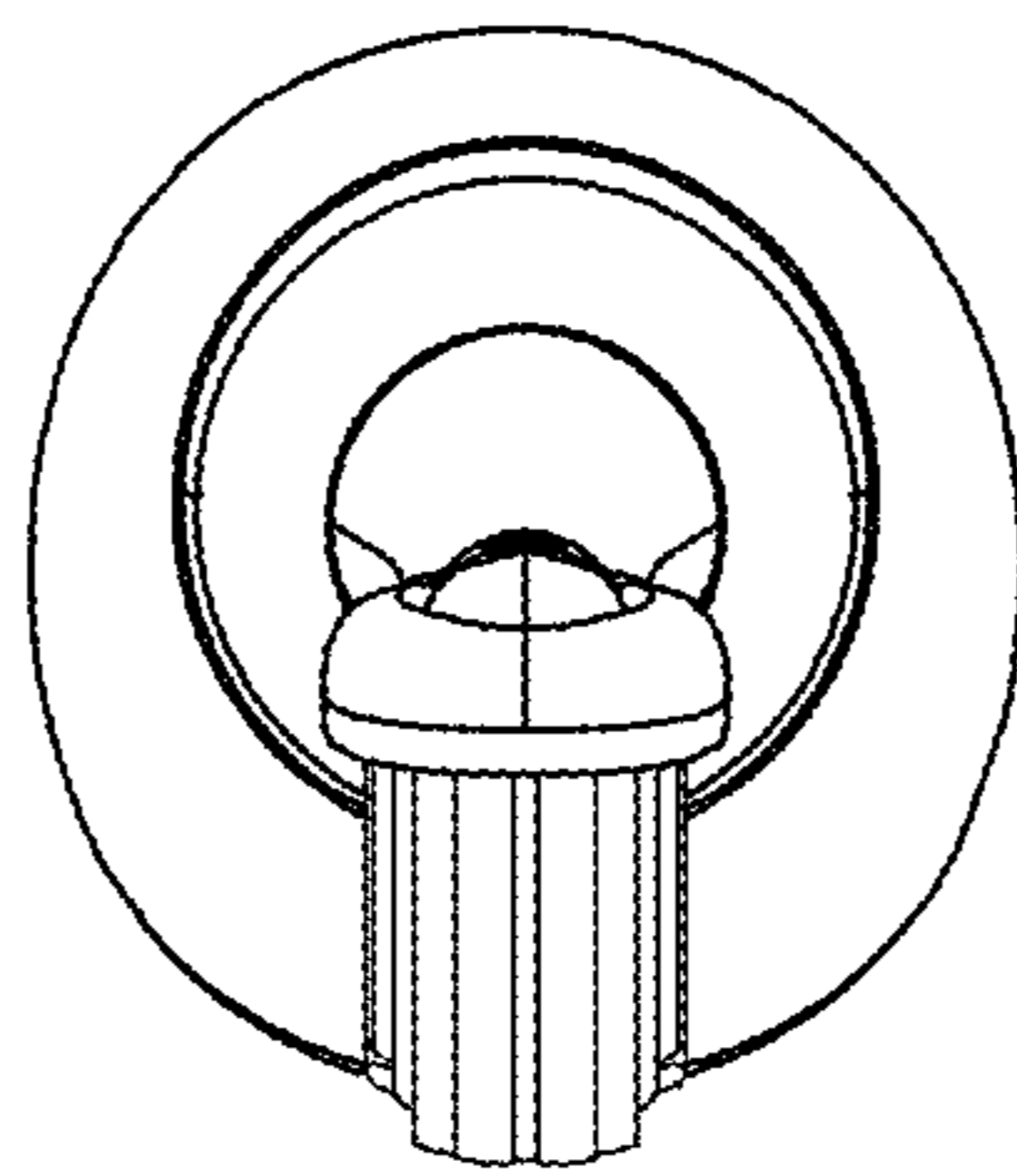


FIG. 6

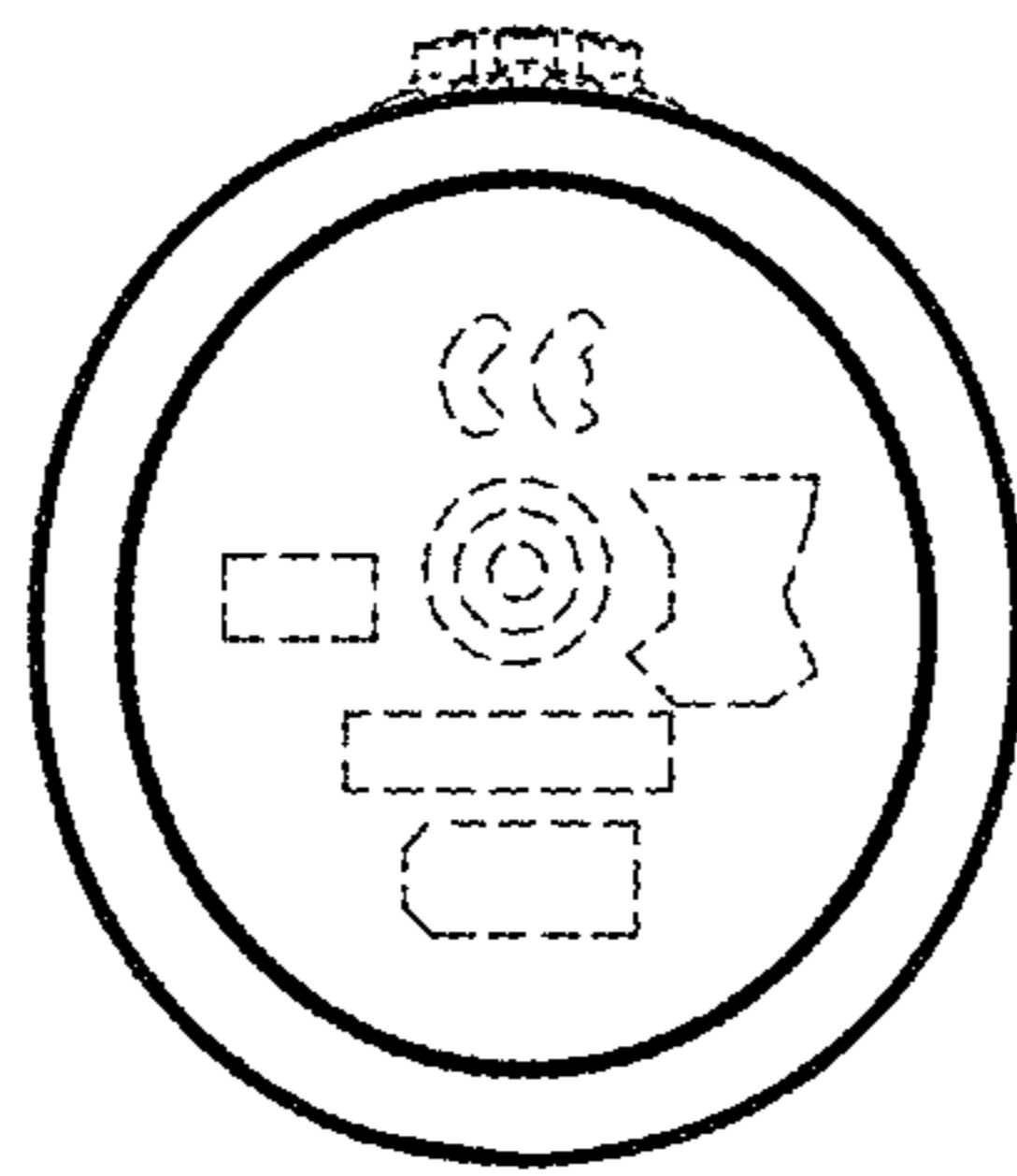


FIG. 7