

US00D930363S

(12) **United States Design Patent** (10) **Patent No.:** **US D930,363 S**
Xu (45) **Date of Patent:** **** Sep. 14, 2021**

(54) **HAIR COMB**

(71) Applicant: **Dean Xu**, Hangzhou (CN)

(72) Inventor: **Dean Xu**, Hangzhou (CN)

(**) Term: **15 Years**

(21) Appl. No.: **29/731,539**

(22) Filed: **Apr. 16, 2020**

(51) **LOC (13) Cl.** **28-03**

(52) **U.S. Cl.**
USPC **D4/100; D4/134**

(58) **Field of Classification Search**
USPC D4/100, 102, 114, 115, 116, 117, 118,
D4/119, 120, 121, 122, 123, 124, 125,
D4/126, 127, 128, 129, 130, 131, 132,
D4/133, 134, 135, 136, 137, 138, 199;
D24/214, 215; D28/13, 63, 15, 18, 21,
D28/24, 25, 30, 35; D30/158, 159
CPC A46B 5/02; A46B 9/023; A46B 5/0095;
A46B 15/0051; A46B 2200/104
See application file for complete search history.

(56) **References Cited**

U.S. PATENT DOCUMENTS

D804,188 S * 12/2017 Du D4/100
D821,648 S * 6/2018 Qiu D28/25
D862,087 S * 10/2019 Ma D4/100

D885,765 S * 6/2020 Yuan D4/100
D893,195 S * 8/2020 Li D4/100
D895,294 S * 9/2020 Xie D4/100
D899,782 S * 10/2020 Yang D4/100
D901,899 S * 11/2020 Zhanye D4/102
D905,965 S * 12/2020 Xie D4/100
D906,678 S * 1/2021 Ge D4/100
D922,773 S * 6/2021 Zhou D4/100
2017/0238670 A1 * 8/2017 Mercier A45D 20/525
2020/0085015 A1 * 3/2020 Yoo A01K 13/001
2020/0268136 A1 * 8/2020 Richmond A46B 9/025

FOREIGN PATENT DOCUMENTS

EM 00306065-0005 * 5/2016
GB 9008186837-0001 * 9/2020

* cited by examiner

Primary Examiner — Karen E Eldridge Powers

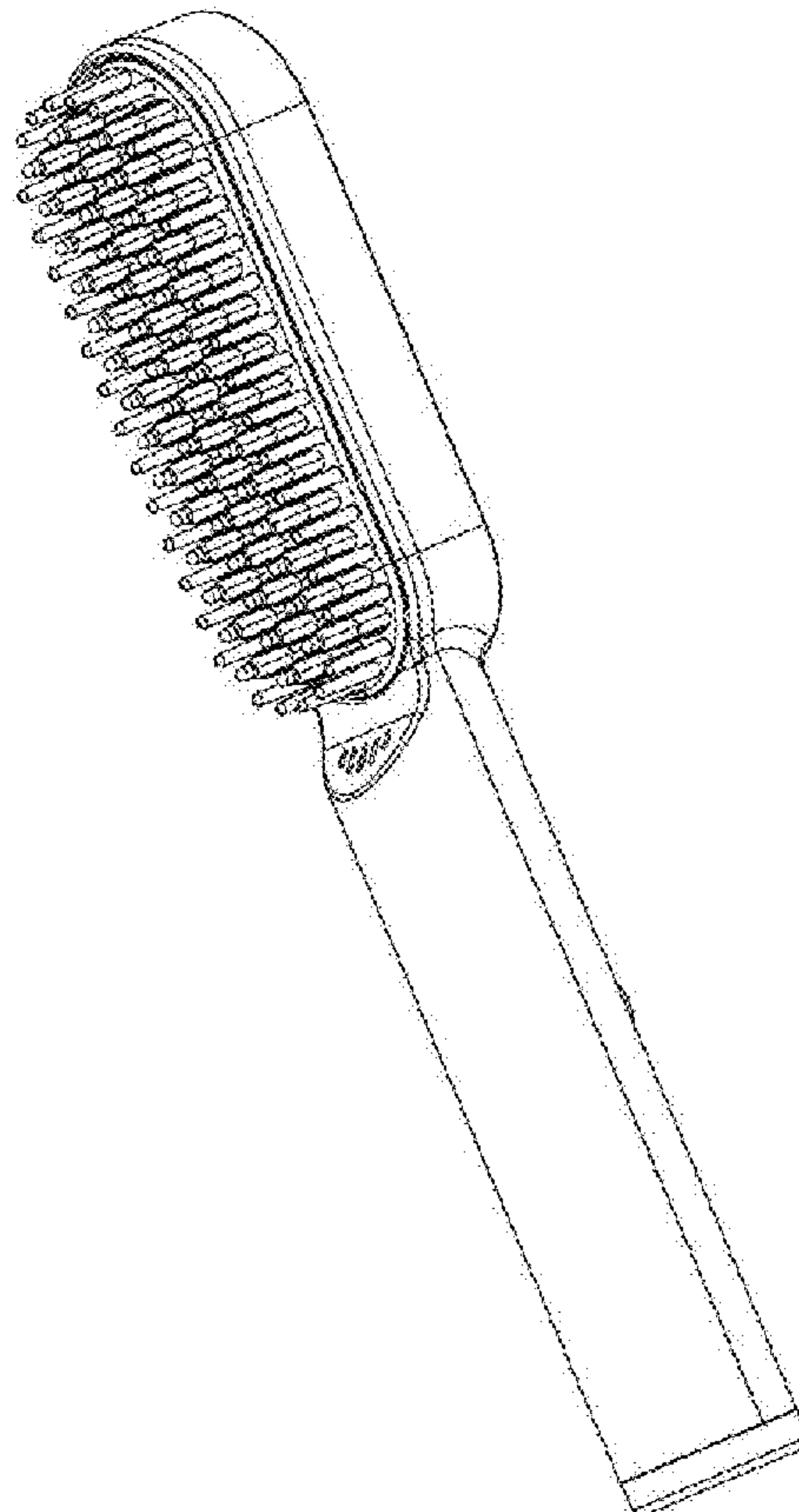
(57) **CLAIM**

The ornamental design for a hair comb, as shown and described.

DESCRIPTION

FIG. 1 is a perspective view of a hair comb showing my new design;
FIG. 2 is a front elevation view thereof;
FIG. 3 is a right side elevation view thereof, the left side view being a mirror image of the right side view; and,
FIG. 4 is a top plan view thereof.

1 Claim, 4 Drawing Sheets



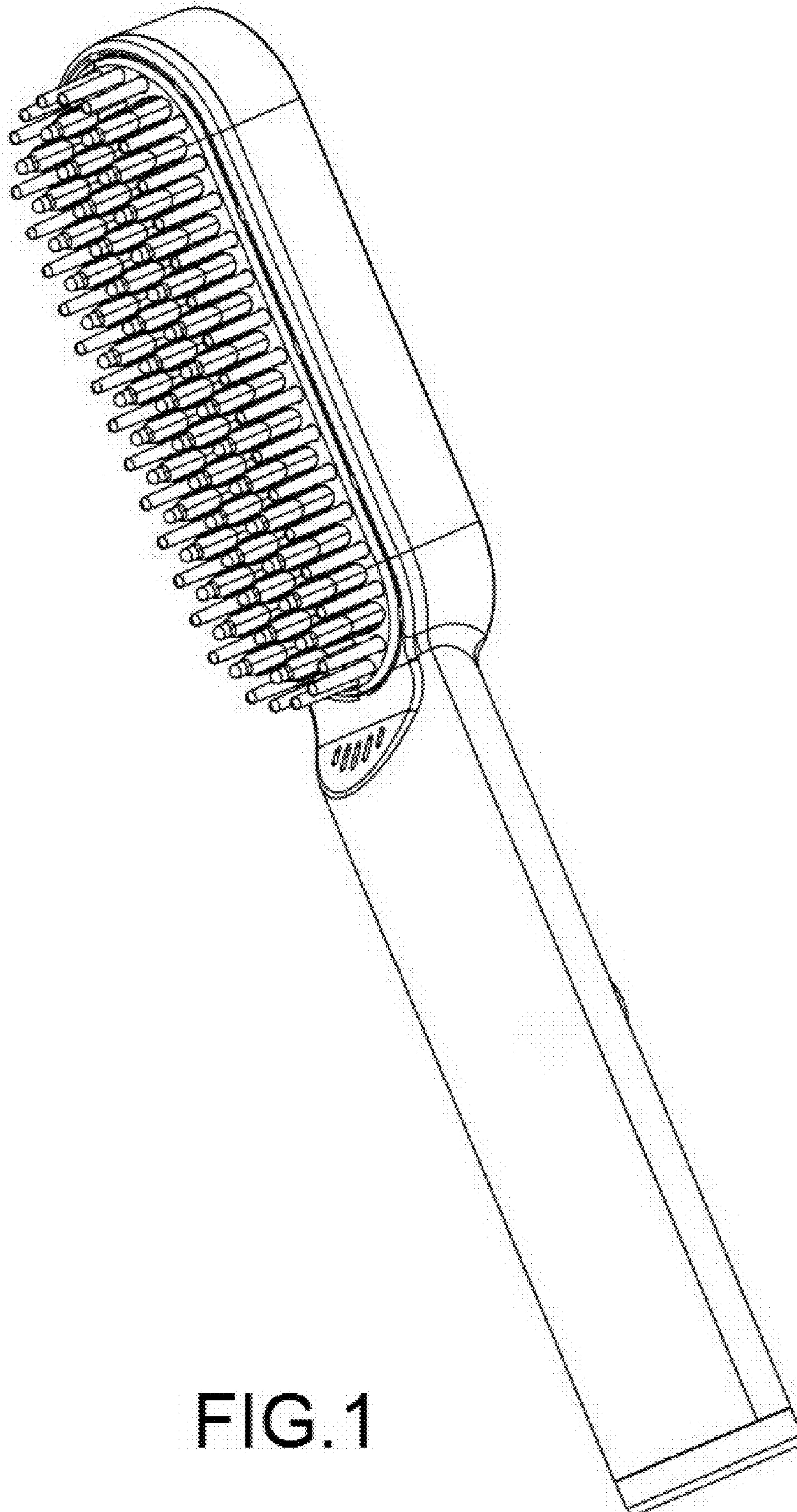


FIG. 1

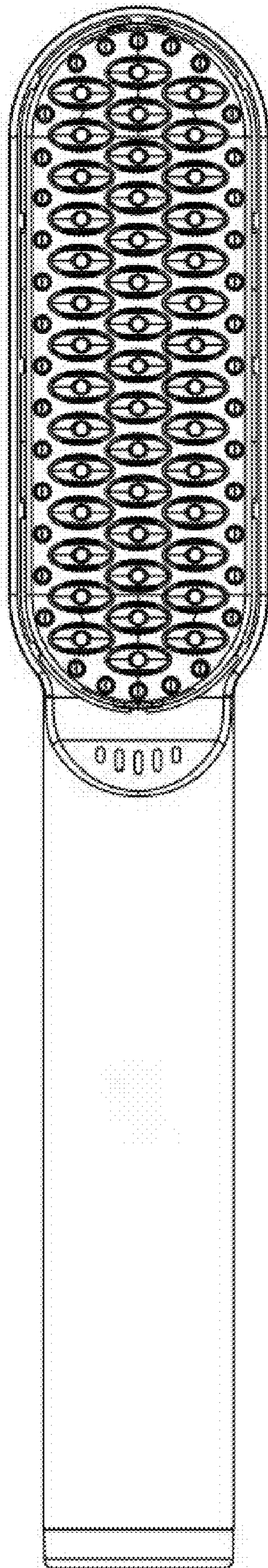


FIG.2

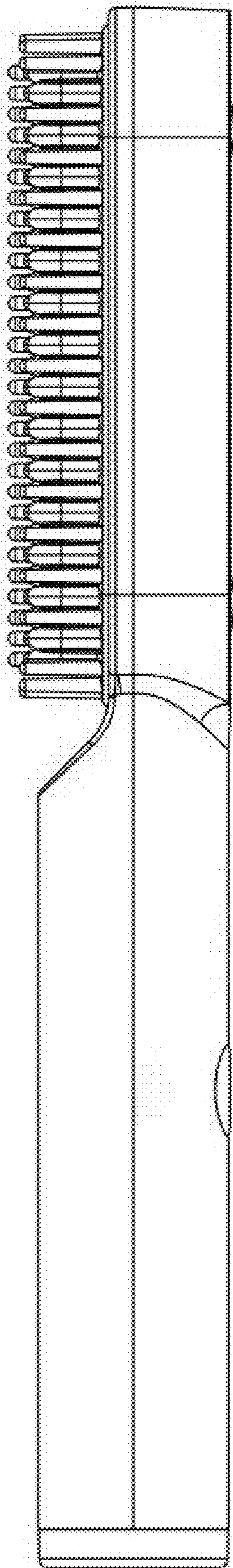


FIG.3

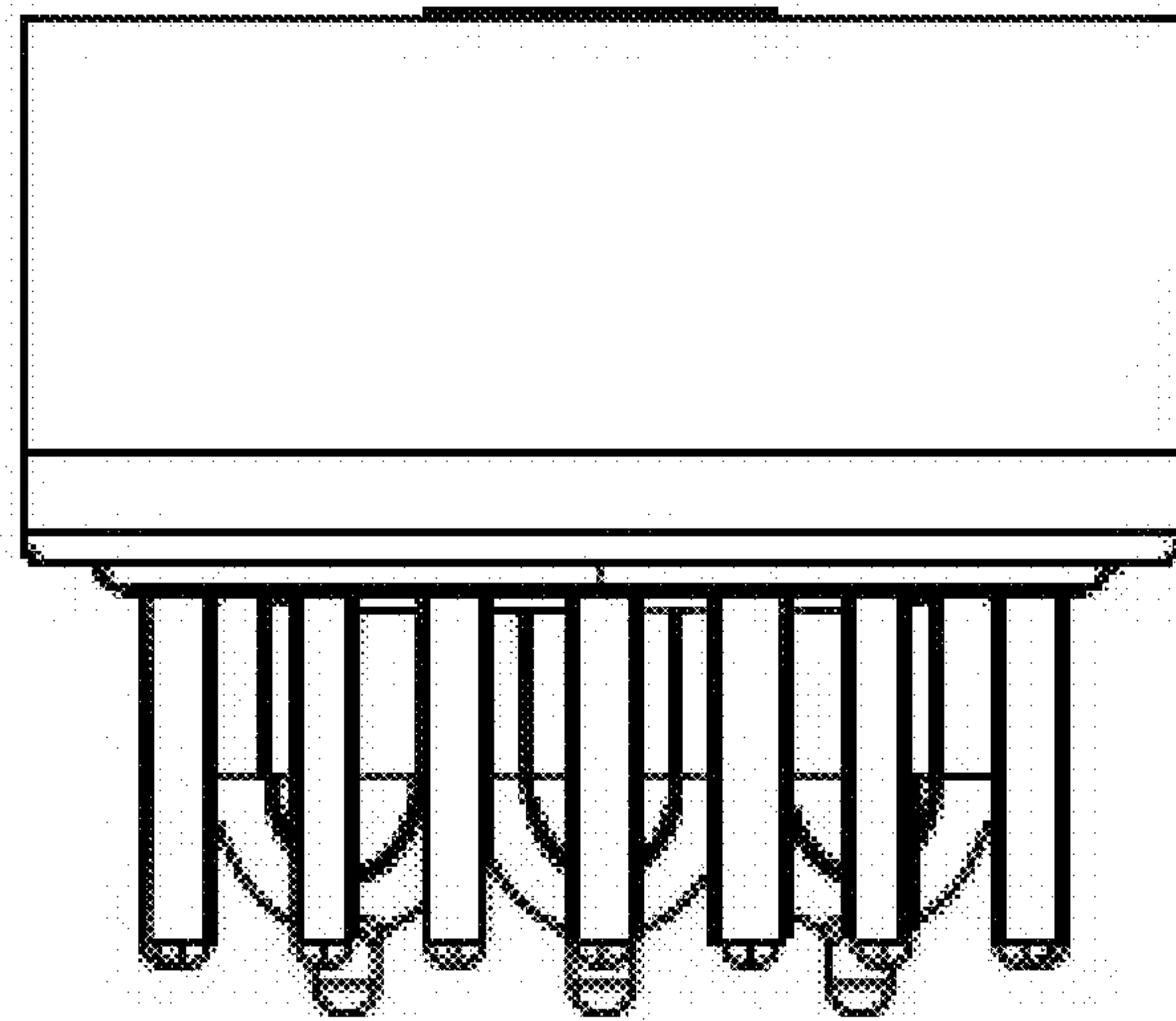


FIG. 4