



US00D930362S

(12) **United States Design Patent** (10) **Patent No.:** **US D930,362 S**
Liao (45) **Date of Patent:** **** Sep. 14, 2021**

(54) **PORTABLE STORAGE CONTAINER**

(71) Applicant: **Ideabatic Ltd.**, Trumpington (GB)

(72) Inventor: **Kitty Chia-Chi Liao**, Trumpington (GB)

(**) Term: **15 Years**

(21) Appl. No.: **35/510,547**

(22) Filed: **Mar. 30, 2020**

(80) **Hague Agreement Data**

Int. Filing Date: **Mar. 30, 2020**

Int. Reg. No.: **DM/207282**

Int. Reg. Date: **Mar. 30, 2020**

Int. Reg. Pub. Date: **Oct. 16, 2020**

(51) **LOC (13) Cl.** **03-01**

(52) **U.S. Cl.**
USPC **D3/294**

(58) **Field of Classification Search**
USPC D3/201, 247, 249–253, 273, 294
CPC A45C 1/06; A45C 3/08; A45C 11/00
See application file for complete search history.

(56) **References Cited**

U.S. PATENT DOCUMENTS

D56,211 S * 8/1920 Vivaudou D3/294
D321,788 S * 11/1991 Chen D3/295

D341,388 S * 11/1993 Rocco D21/483
D493,284 S * 7/2004 Lee D3/276
D510,803 S * 10/2005 Moore D3/282
D700,432 S * 3/2014 Music D3/204
D828,031 S * 9/2018 Bloomfield D3/302
D871,069 S * 12/2019 Carlson D3/294
D883,669 S * 5/2020 Sakai D3/294
D894,600 S * 9/2020 Martone D3/294

* cited by examiner

Primary Examiner — Holly E Thurman

(57) **CLAIM**

The ornamental design for a portable storage container, as shown and described.

DESCRIPTION

1. Portable storage container

1.1 : Front

1.2 : Top

1.3 : Bottom

1.4 : Left

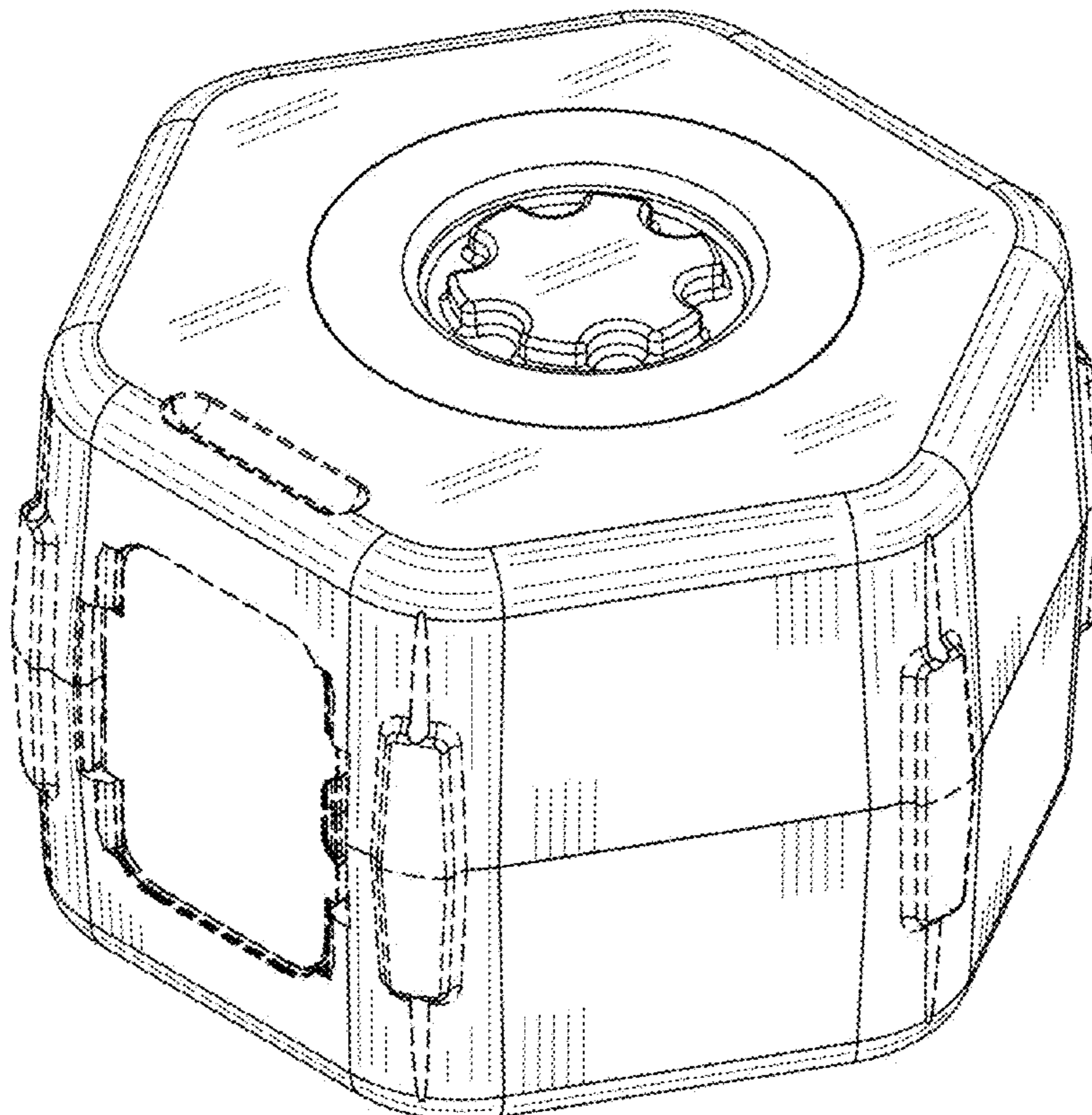
1.5 : Back

1.6 : Perspective

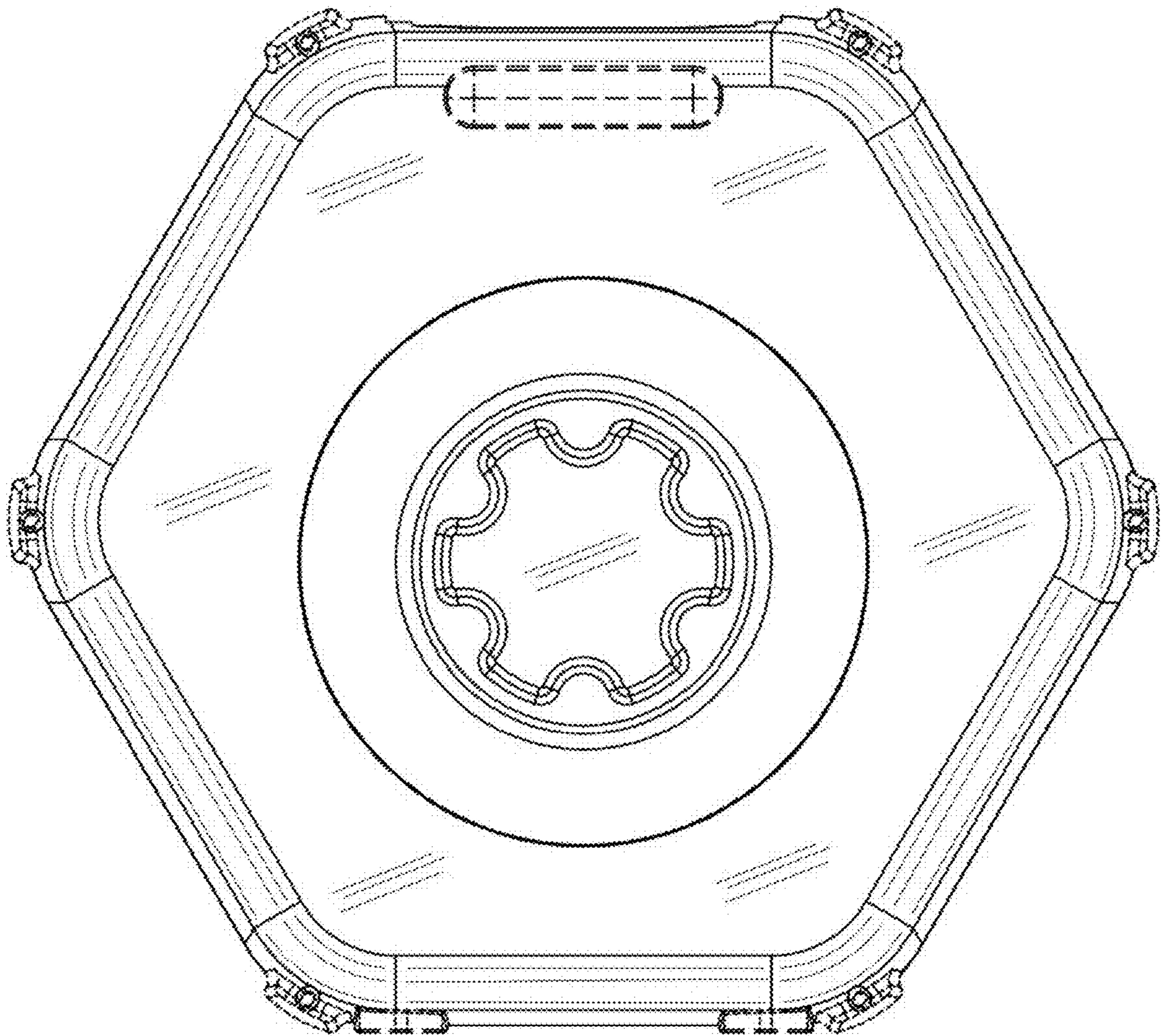
1.7 : Perspective

The right side view is omitted because it is a mirror image of the left side view; the parts shown by means of broken lines in the reproductions are not part of the claimed design; the thin parallel lines in the reproductions represent contours only and do not illustrate an ornamentation or decoration of the surface of the product.

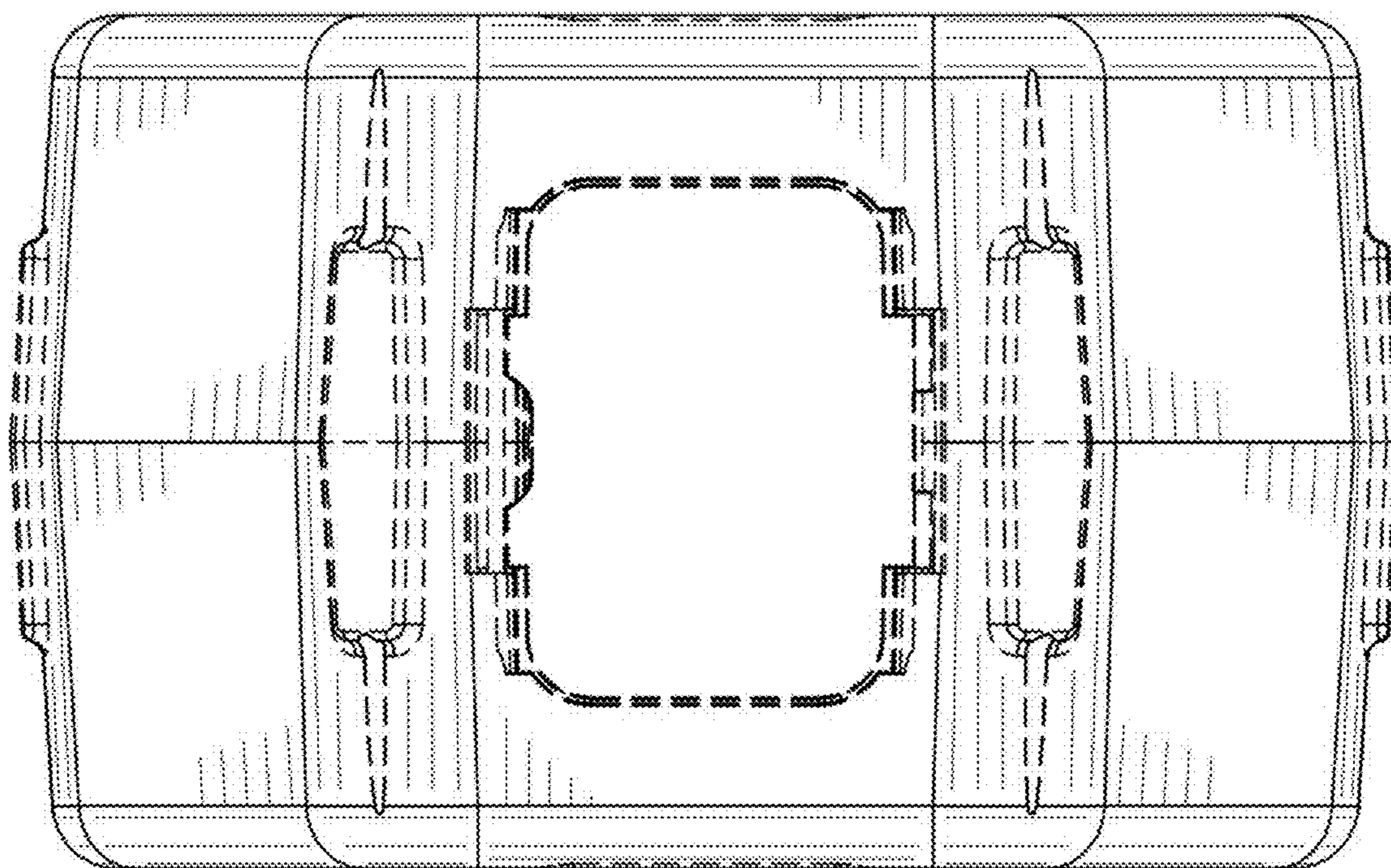
1 Claim, 7 Drawing Sheets



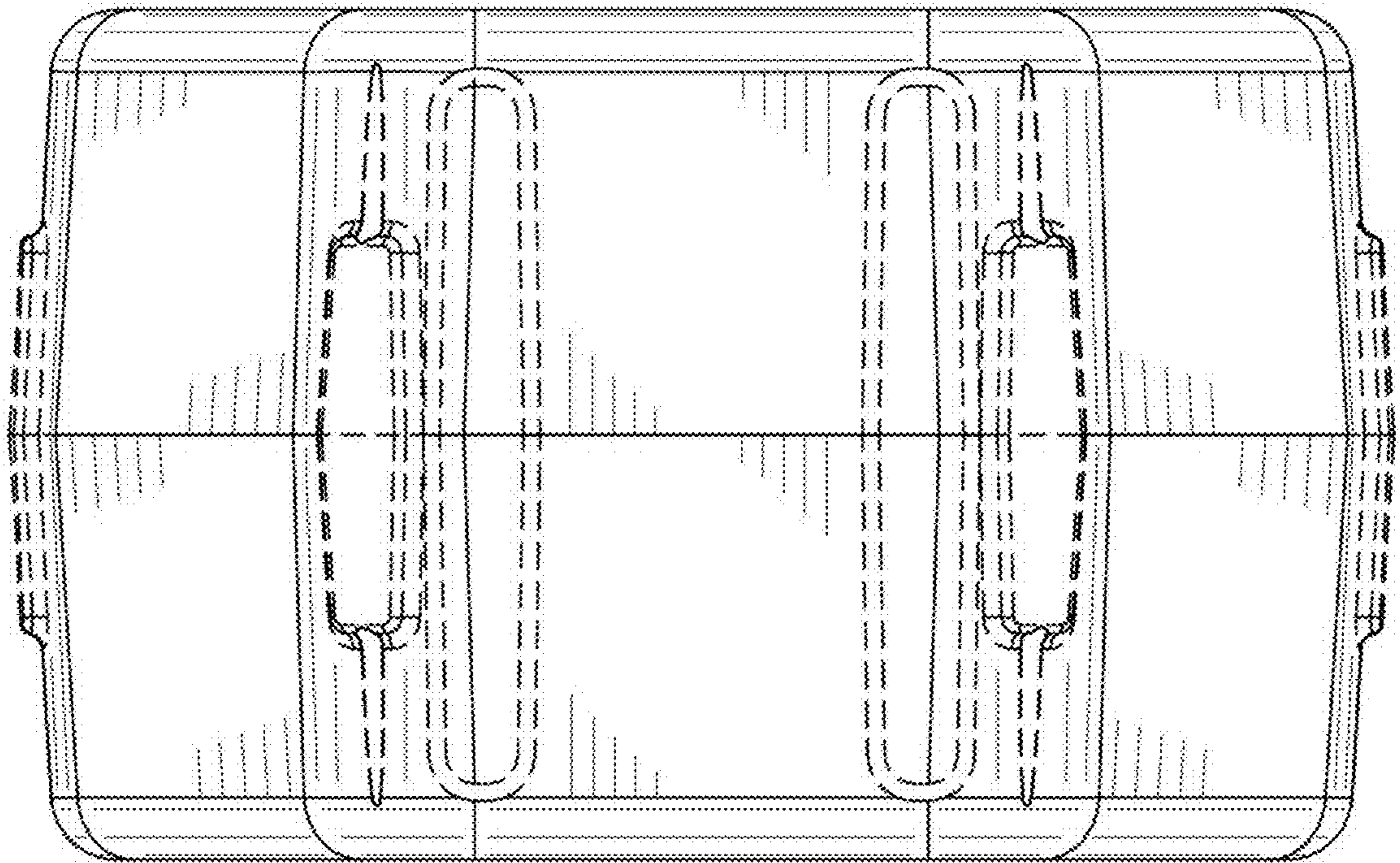
1.1



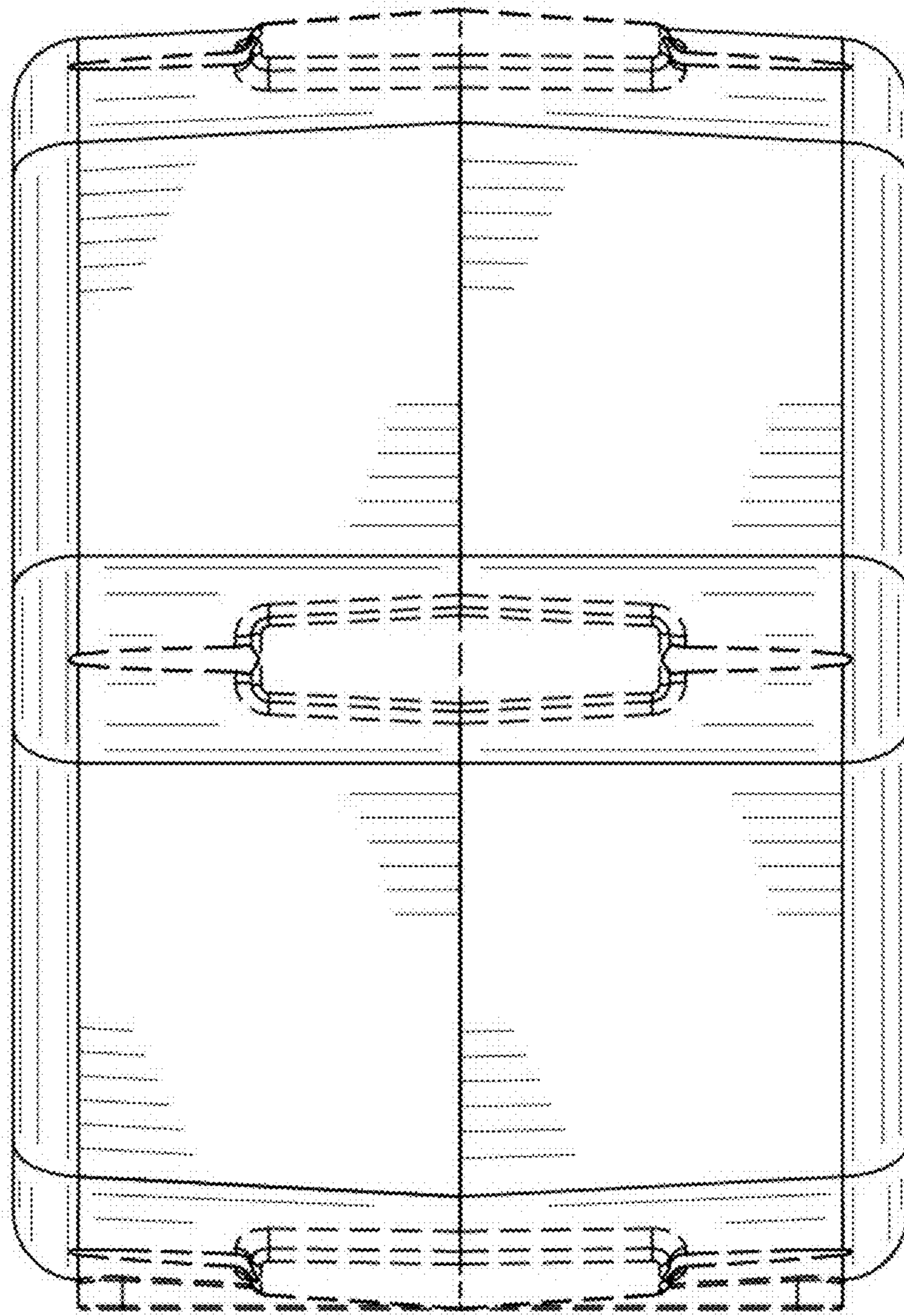
1.2



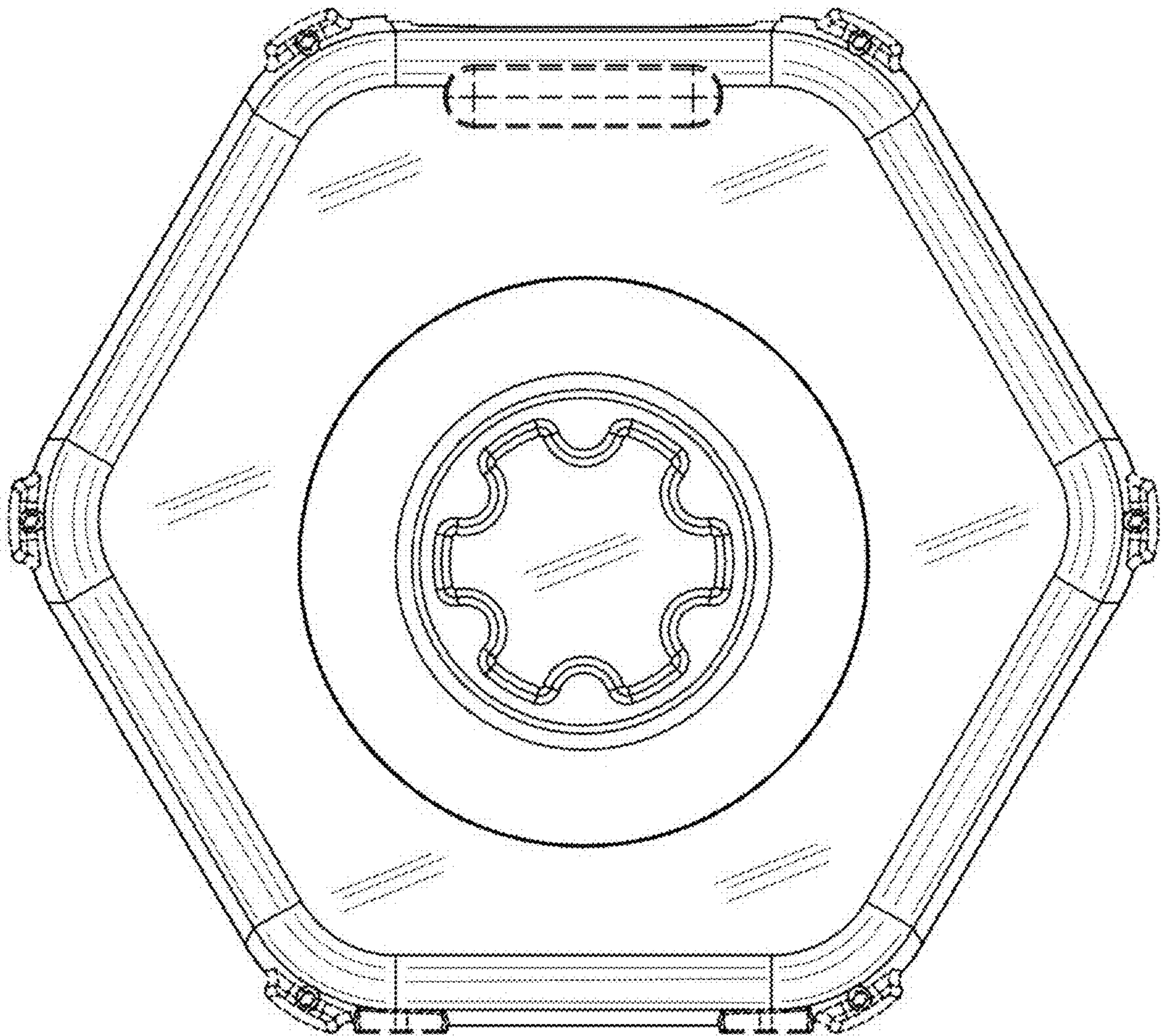
1.3



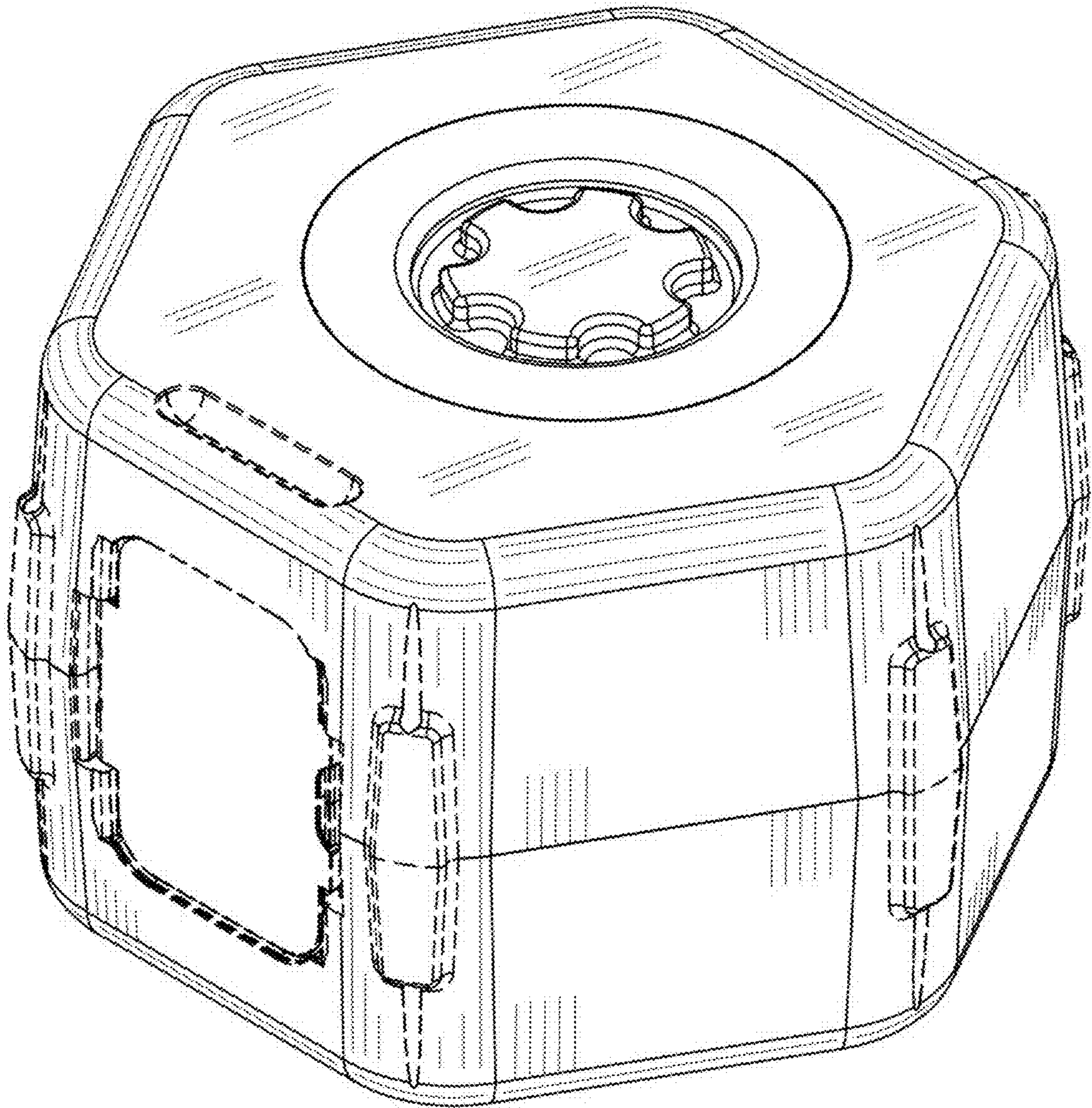
1.4



1.5



1.6



1.7

