



US00D930359S

(12) **United States Design Patent** (10) **Patent No.:** **US D930,359 S**
Dauchin (45) **Date of Patent:** **** Sep. 14, 2021**

(54) **CLUTCH**

D718,048 S * 11/2014 Hsu D3/273
D718,049 S * 11/2014 Hsu D3/273
D905,066 S * 12/2020 Lee D14/440

(71) Applicant: **Rimowa GmbH**, Cologne (DE)

* cited by examiner

(72) Inventor: **Benoît Gérard Marie Dauchin**,
Cologne (DE)

Primary Examiner — Holly E Thurman

(**) Term: **15 Years**

(21) Appl. No.: **35/509,103**

(57) **CLAIM**

(22) Filed: **Dec. 6, 2019**

The ornamental design for a clutch, as shown and described.

(80) **Hague Agreement Data**

Int. Filing Date: **Dec. 6, 2019**
Int. Reg. No.: **DM/207112**
Int. Reg. Date: **Dec. 6, 2019**
Int. Reg. Pub. Date: **Apr. 17, 2020**

DESCRIPTION

(30) **Foreign Application Priority Data**

Jun. 14, 2019 (EM) 006578738

(51) **LOC (13) Cl.** **03-01**

(52) **U.S. Cl.**
USPC **D3/276**

(58) **Field of Classification Search**
USPC D3/201, 207, 208, 215, 226, 228, 229,
D3/230, 232, 269, 273, 276, 290, 299,
D3/303, 304, 316, 318
CPC B65D 83/384; F41H 9/10
See application file for complete search history.

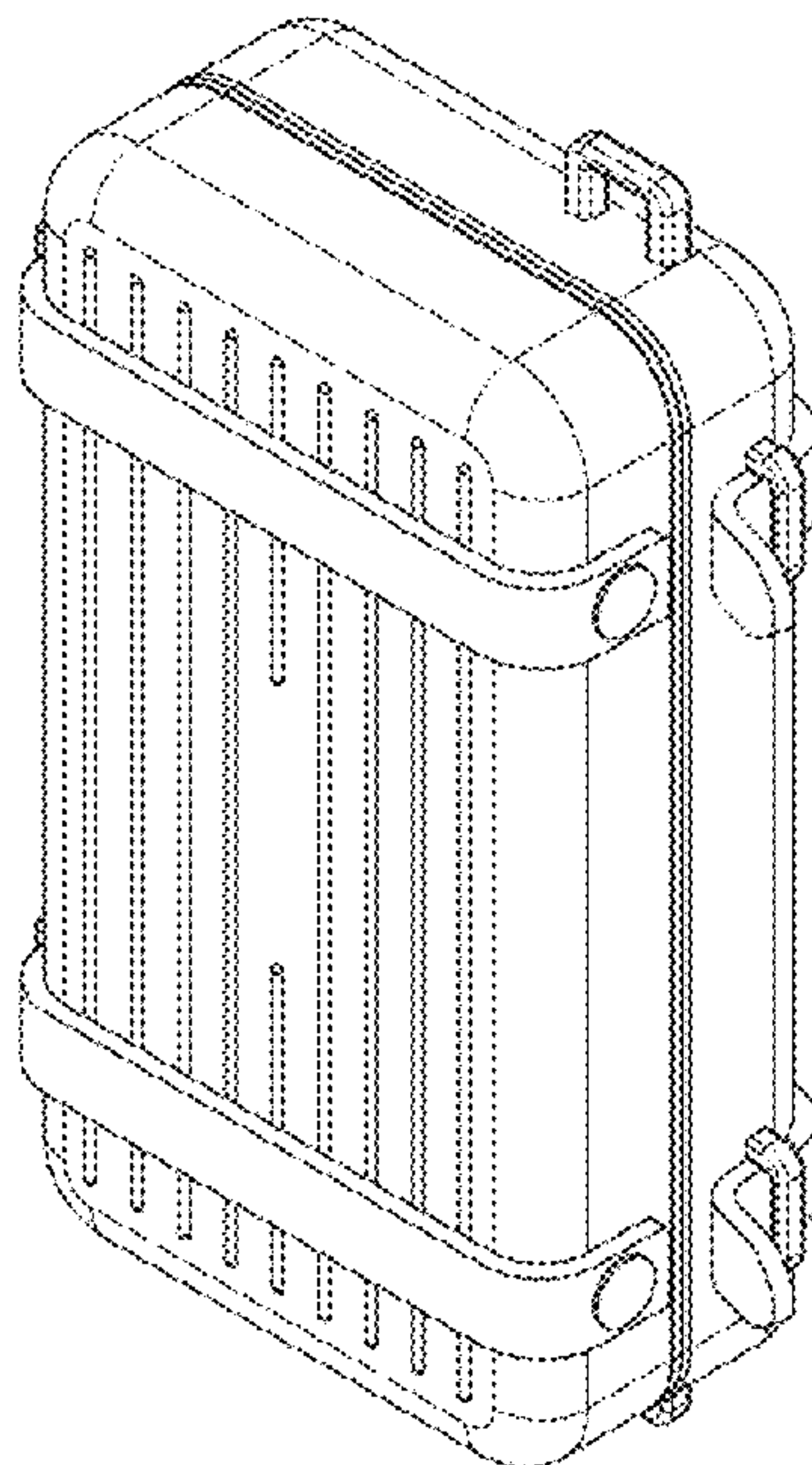
1.-2. Clutch
FIG. 1.1 is a side perspective view of a clutch showing our new design;
FIG. 1.2 is a top side elevation view thereof;
FIG. 1.3 is a bottom side elevation view thereof;
FIG. 1.4 is a front side elevation view thereof;
FIG. 1.5 is a back side elevation view thereof;
FIG. 1.6 is a left side elevation view thereof;
FIG. 1.7 is a right side elevation view thereof;
FIG. 2.1 is a side perspective view thereof;
FIG. 2.2 is a top side elevation view thereof;
FIG. 2.3 is a bottom side elevation view thereof;
FIG. 2.4 is a front side elevation view thereof;
FIG. 2.5 is a back side elevation view thereof;
FIG. 2.6 is a left side elevation view thereof; and,
FIG. 2.7 is a right side elevation view thereof.
The shading shown on the claimed design in FIGS. 2.1 to 2.7 forms no part of the claimed design.

(56) **References Cited**

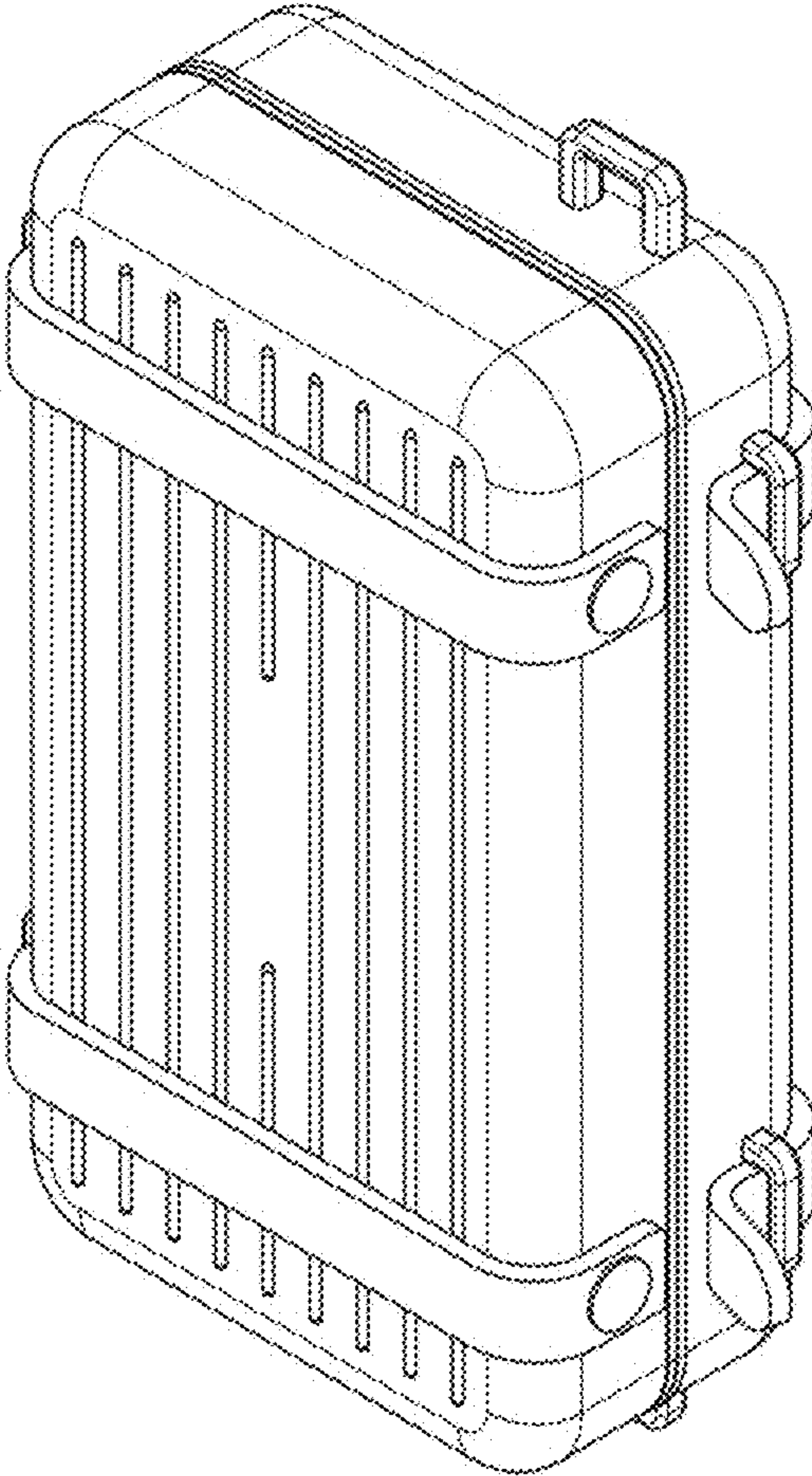
U.S. PATENT DOCUMENTS

D491,358 S * 6/2004 Hofman D3/273
D613,054 S * 4/2010 Morszeck D3/205
D696,865 S * 1/2014 Morszeck D3/301

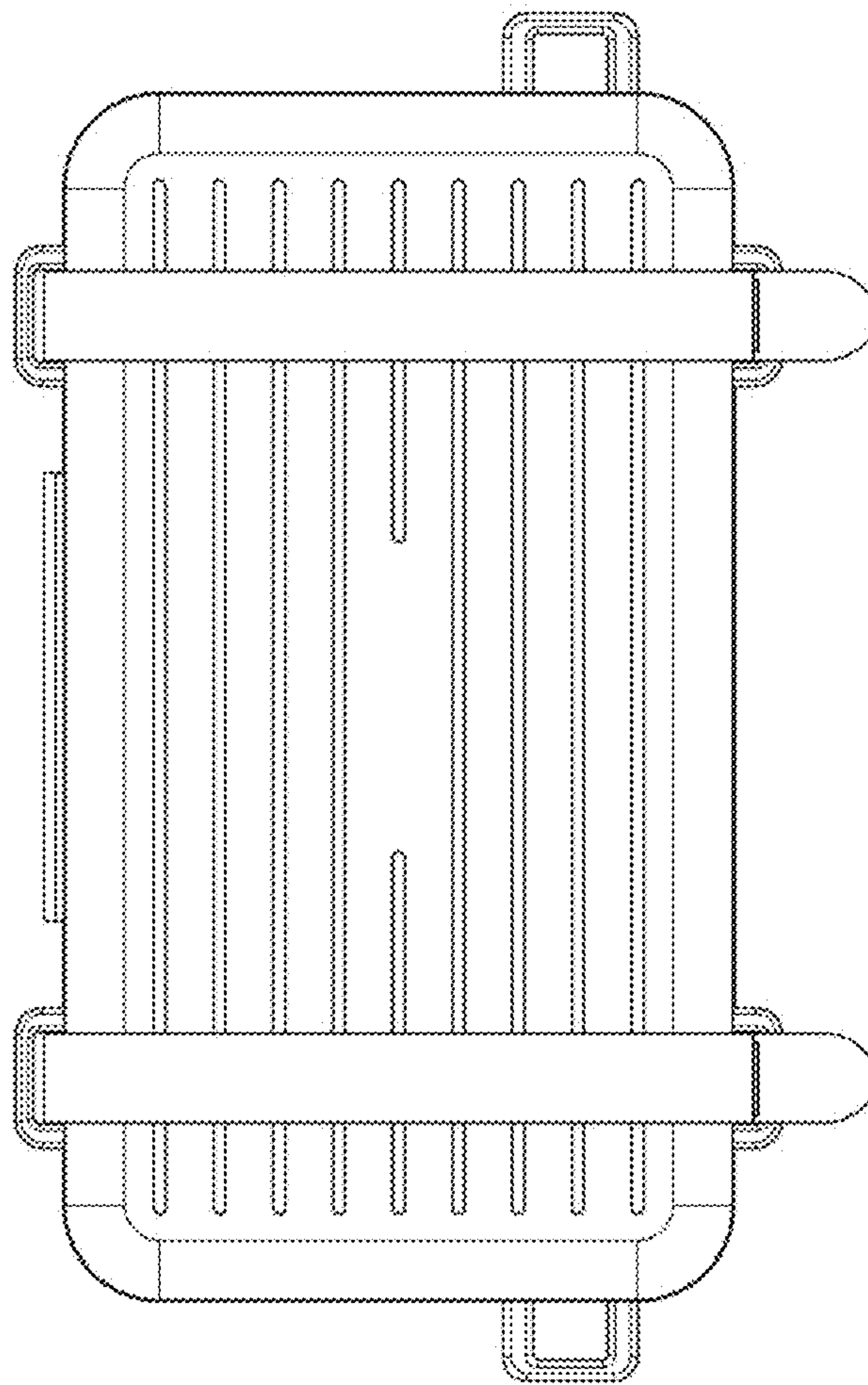
1 Claim, 14 Drawing Sheets



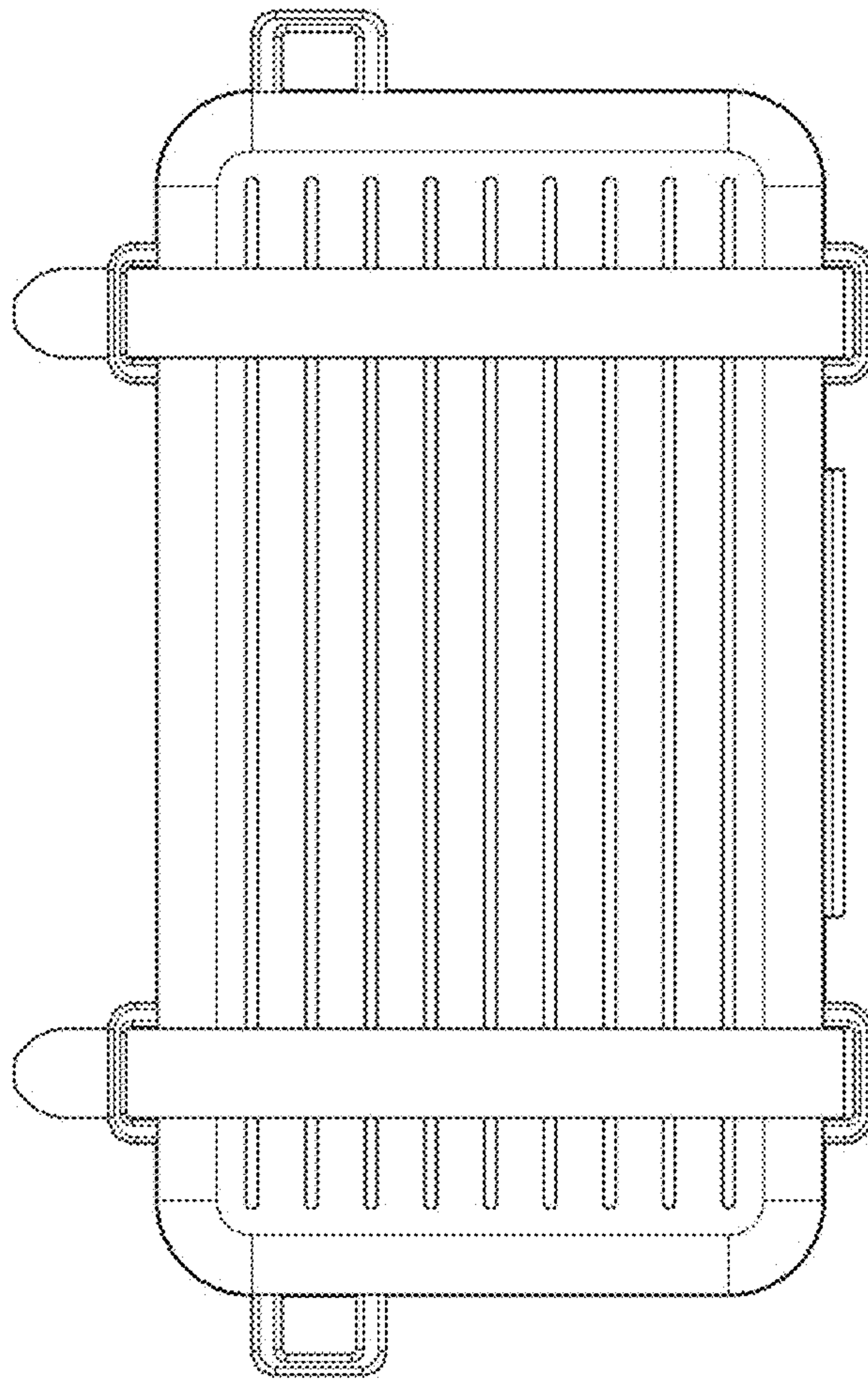
1.1



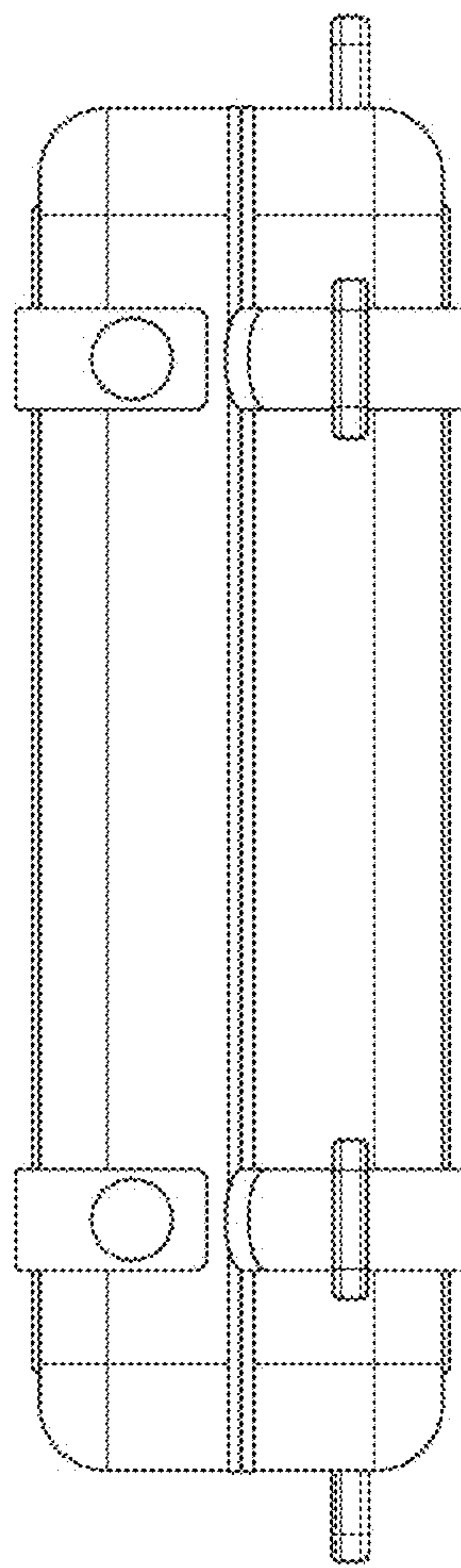
1.2



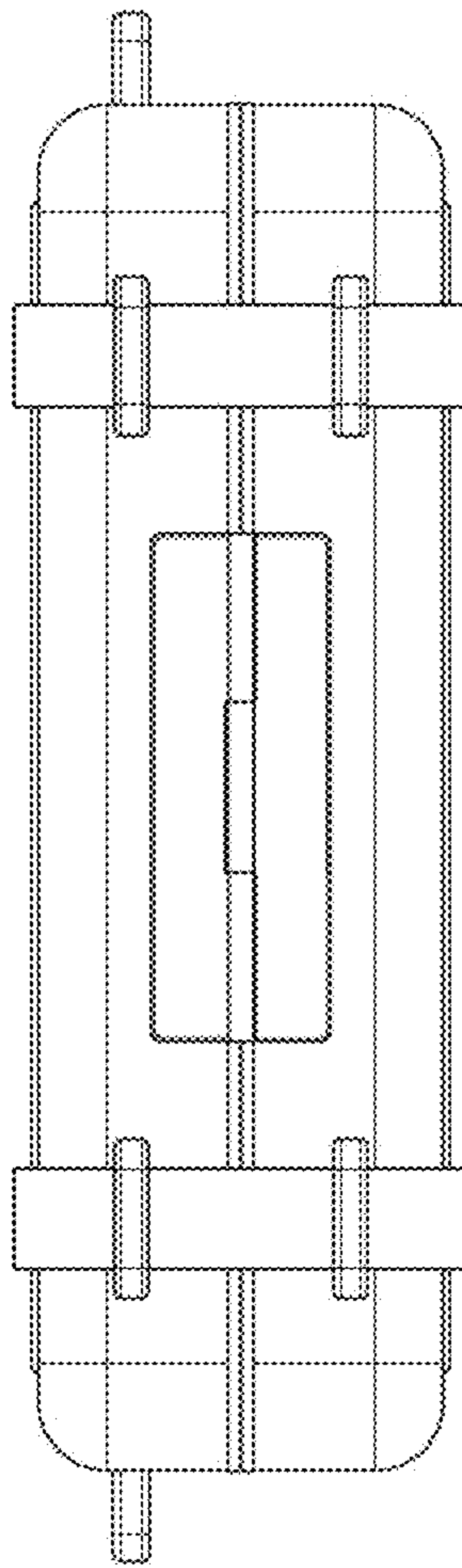
1.3



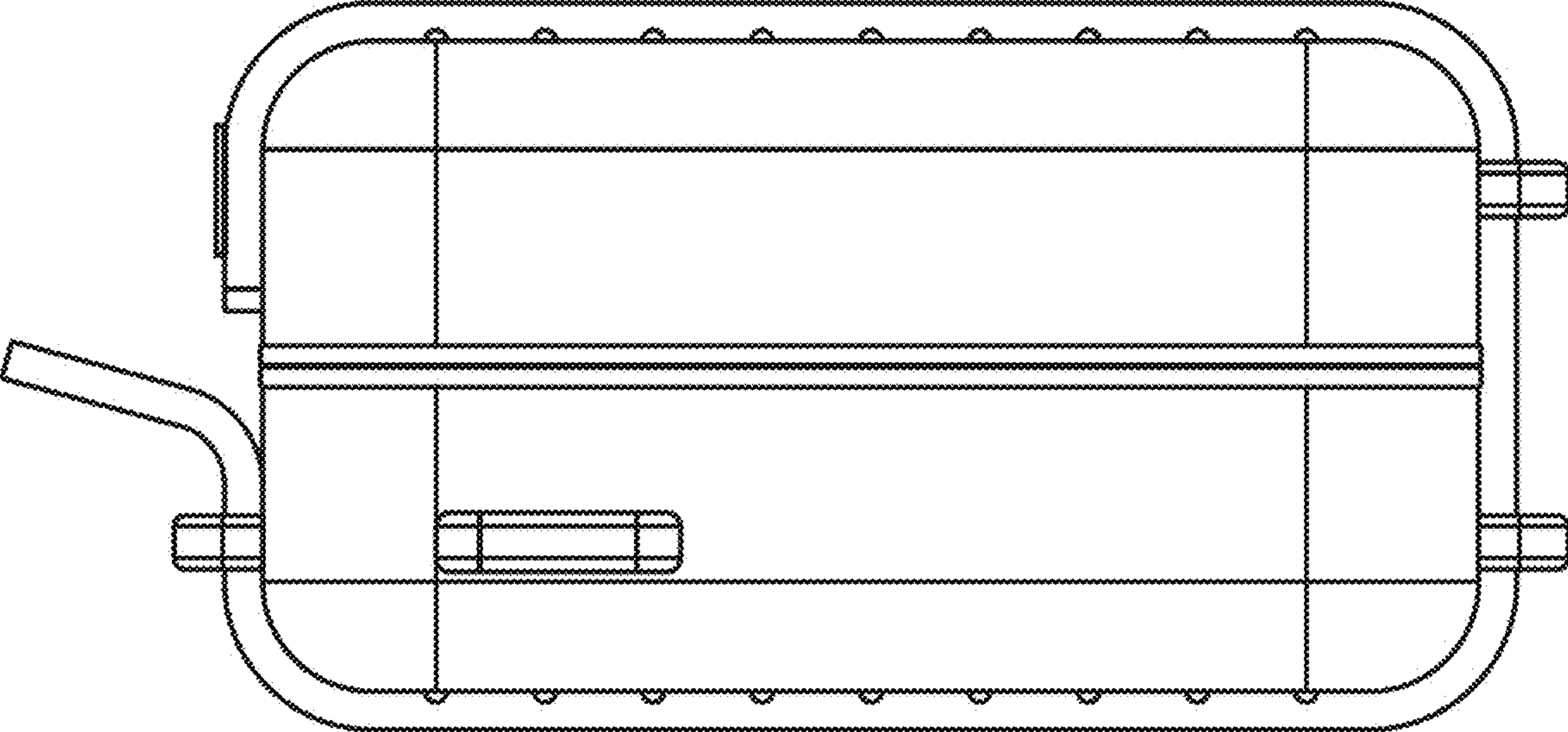
1.4



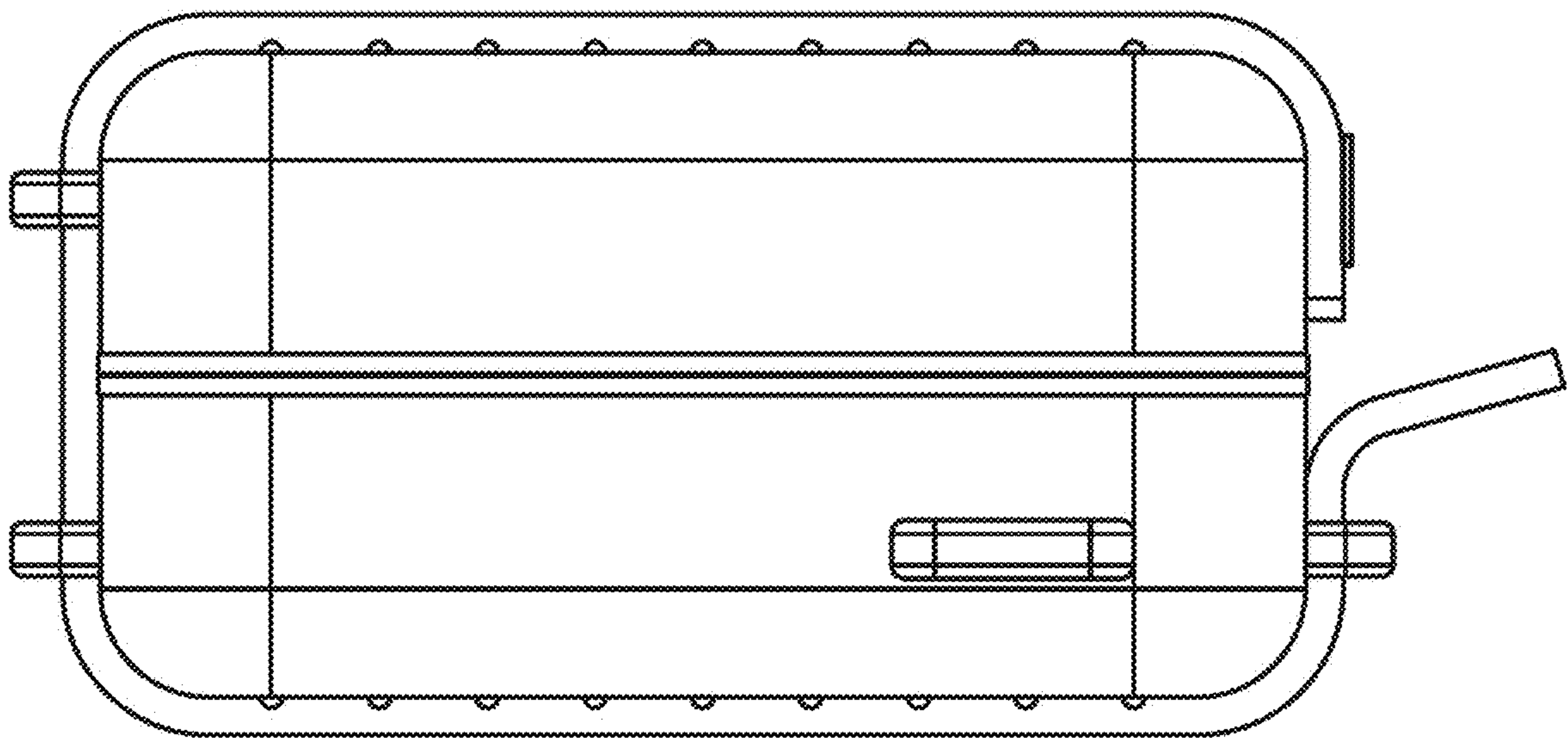
1.5



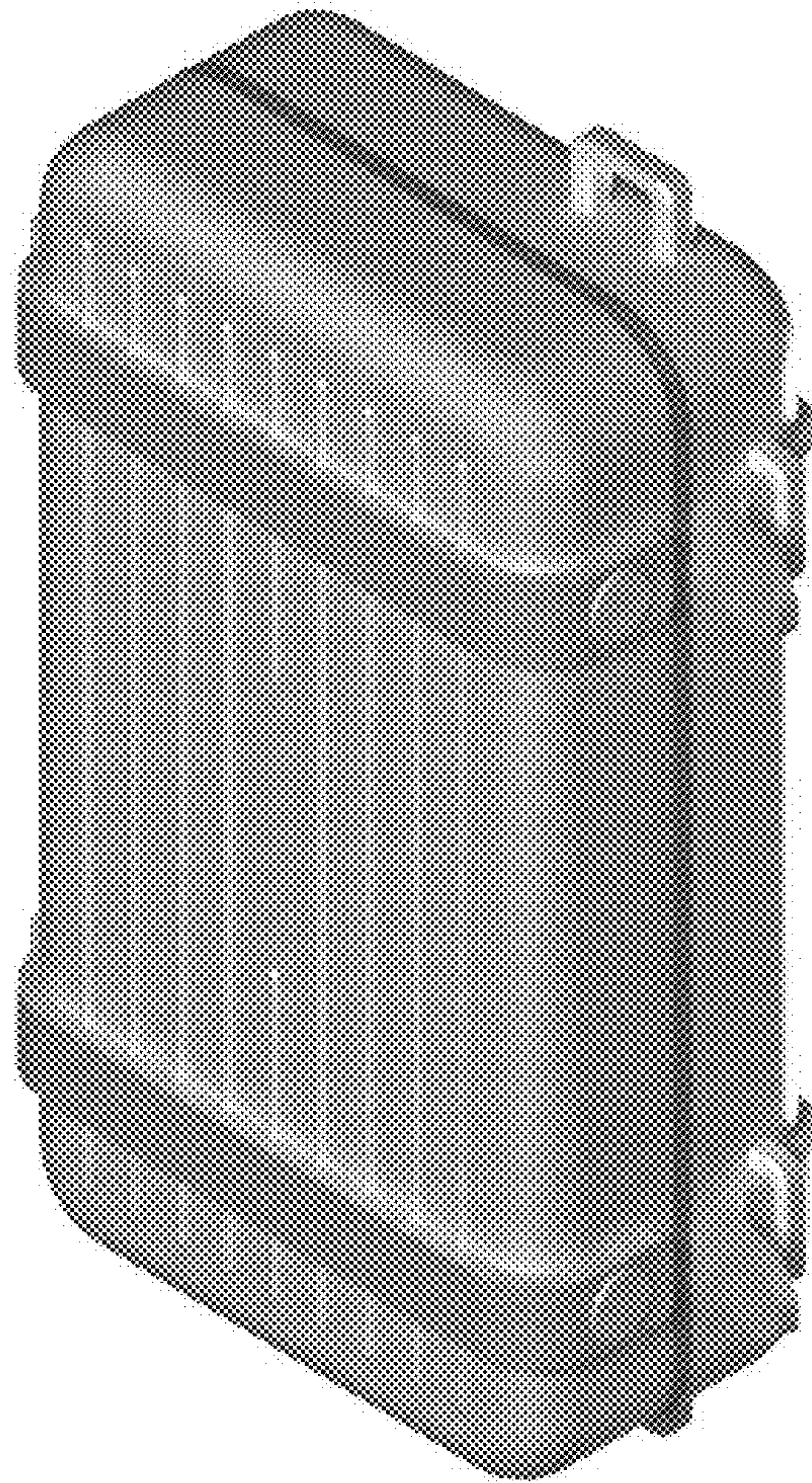
1.6



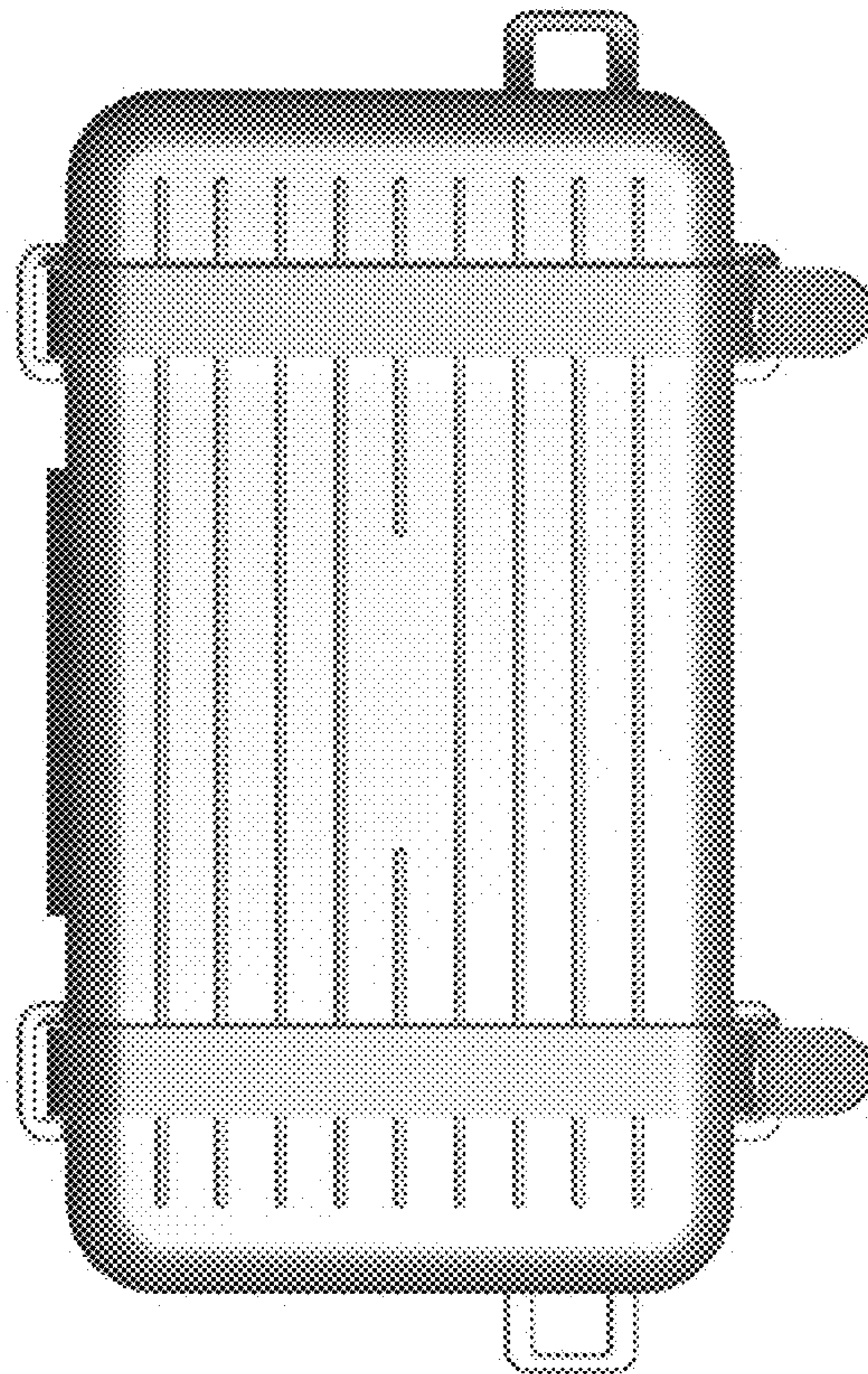
1.7



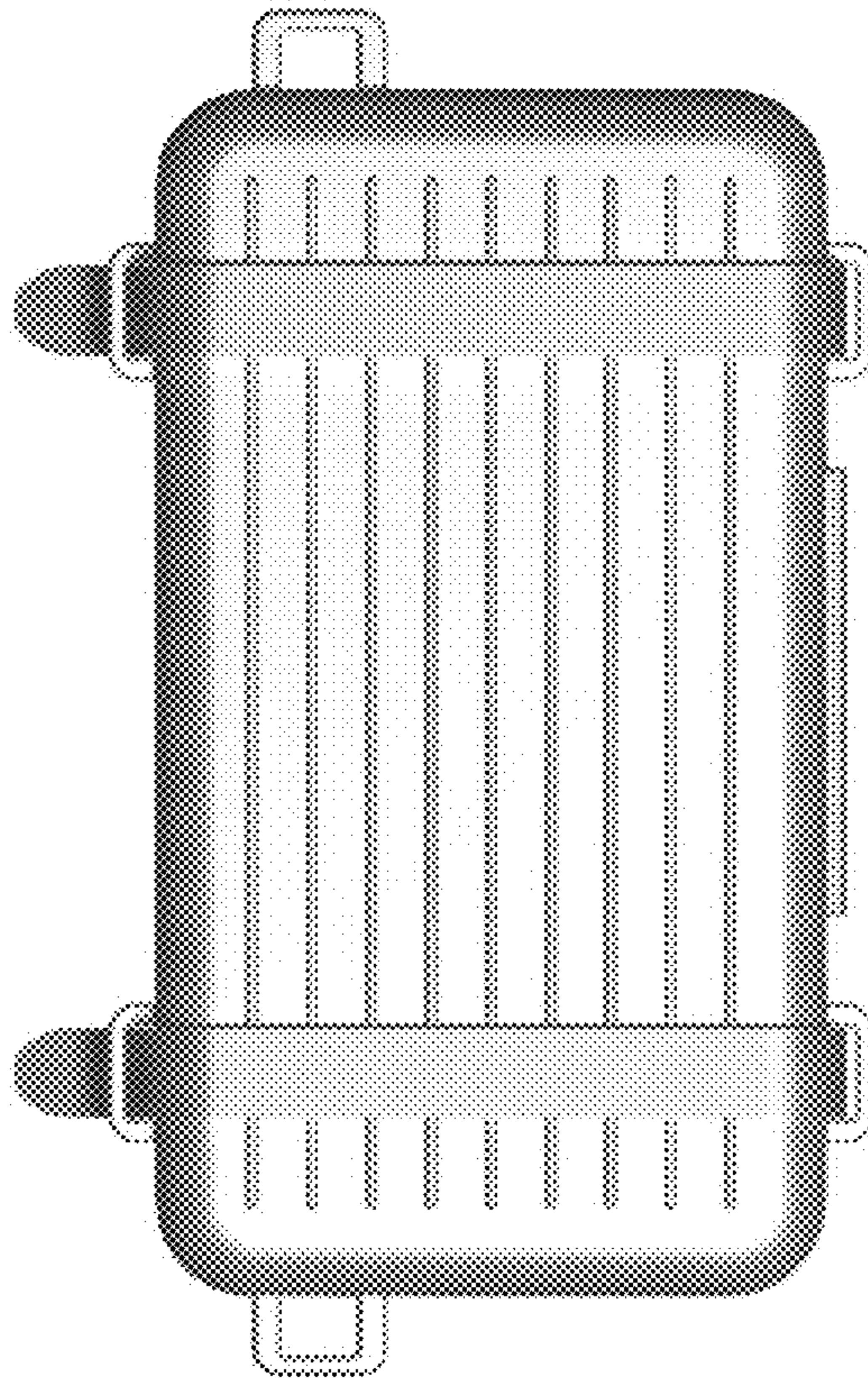
2.1



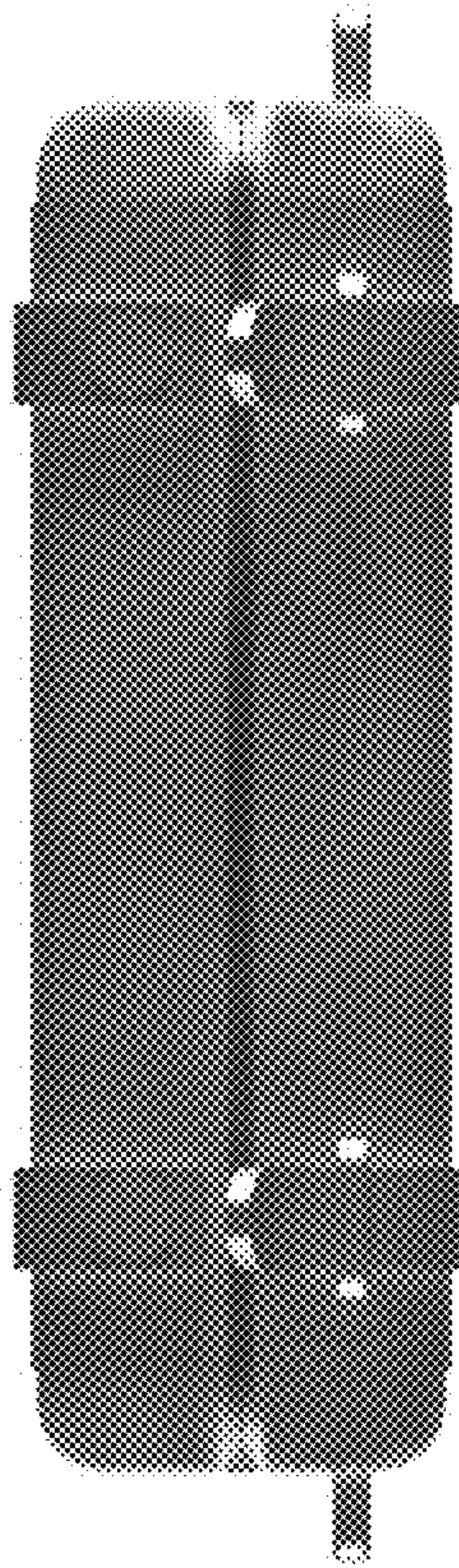
2.2



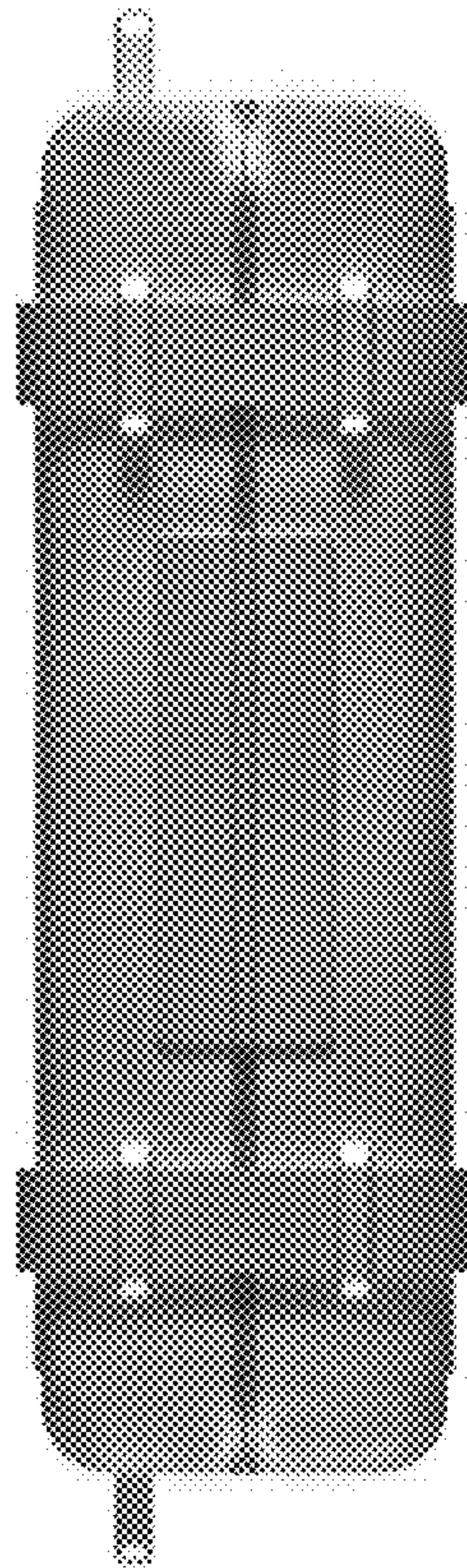
2.3



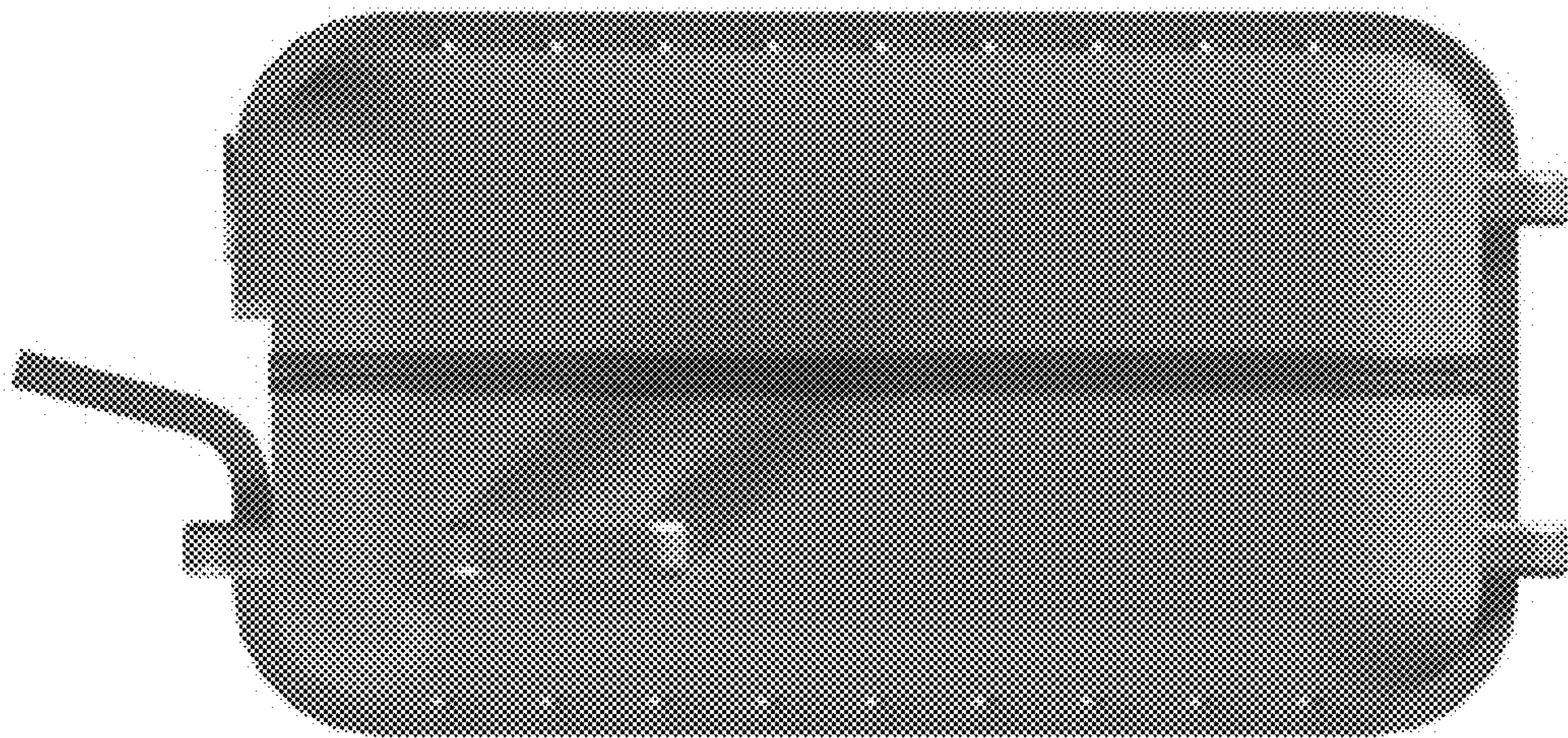
2.4



2.5



2.6



2.7

